

# WF45R6100AC

SAMSUNG

## Samsung Front Load Washer with Steam

4.5 cu. ft. Capacity DOE



### Signature Features

#### Steam

- Powerful stain removal without pretreatment, while still gentle on your clothing.

#### Self Clean+

- Keeps your washer drum fresh and clean by eliminating 99% of bacteria<sup>1</sup>. Will also send a reminder to clean the drum every forty wash cycles.

#### Smart Care

- Easy troubleshooting from the convenience of your smartphone<sup>2</sup>. Smart Care interacts with your washer and dryer to perform an immediate diagnosis and offer quick solutions.

### Available Colors



Steam



Self Clean+

### Features

- Steam
- Self Clean+
- Smart Care
- VRT Plus™ Technology
- Swirl+ Drum Design
- Closet-Depth Fit<sup>3</sup>
- Stackability
- Internal Water Heater
- 1200 RPM Maximum Spin Speed
- Direct Drive Motor
- 10 Preset Washing Cycles
- 7 Additional Washing Options
- 5 Temperature Levels
- LED Display: Ice Blue
- 24-Hour Delay End

### Convenience

- Child Lock
- Delay End
- Dispenser Trays: Main Wash, Softener, Bleach



ADA Compliant<sup>4</sup>

### Rating



ENERGY STAR®-rated  
CEE Tier 2  
IMEF = 2.92  
IWF = 2.9

<sup>1</sup>Based on testing by Intertek of the Self Clean+ cycle on the WF6000R.

<sup>2</sup>Requires Samsung Smart Washer/Dryer App. The Samsung Smart Washer/Dryer app supports Android OS 2.3.6 or later and iOS 3 or later for iPhone models. Smart Washer/Dryer app available in App Store and Play Store.

<sup>3</sup>Designed to fit a 40" installation depth.

<sup>4</sup>ADA Compliant when using a Samsung 27" wide riser (WE272NV or WE272NW).

# WF45R6100AC

**SAMSUNG**

## Samsung Front Load Washer with Steam

4.5 cu. ft. Capacity DOE

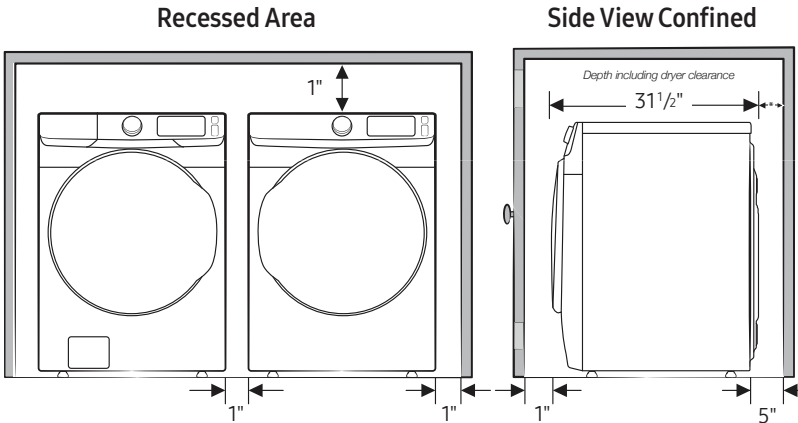
### Installation Specifications

If the washer and dryer are installed together or the dryer alone, the closet front must have two unobstructed air openings for a combined minimum total area of 72-inch<sup>2</sup> (see stacked build below). Your washer alone does not require a specific air opening.

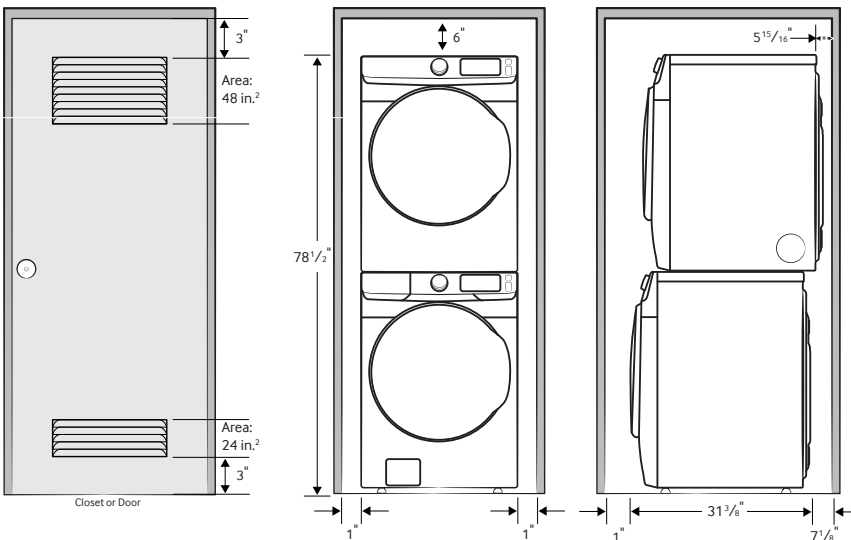
\*Required spacing (External exhaust elbow may require additional space.)

#### 1. Alcove or closet installation

Minimum Clearance for Closet and Alcove Installations:

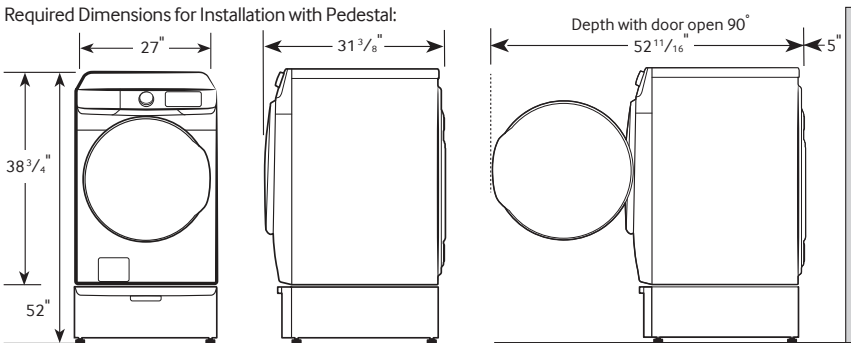


#### 2. With stacked washer and dryer



### Dimensions

Required Dimensions for Installation with Pedestal:



Actual color may vary. Design, specifications, and color availability are subject to change without notice. Non-metric weights and measurements are approximate.

©2019 Samsung Electronics America, Inc., 85 Challenger Road, Ridgefield Park, NJ 07660. Tel: 800-SAMSUNG. samsung.com. Samsung is a registered trademark of Samsung Electronics Co., Ltd.

#### 10 Preset Washing Cycles:

Normal, Heavy Duty, Bedding, Quick Wash, Permanent Press, Delicates, Whites, Sanitize, Rinse and Spin, Self Clean+

#### 7 Additional Washing Options:

Presoak, Steam, Delay End, Alarm Off, Child Lock, Smart Care, Spin Only

#### 5 Temperature Levels:

Hot, Warmer, Warm, Cool, Cold

#### 5 Spin Speeds:

High, Medium High, Medium, Low, No Spin

#### 5 Soil Levels:

Heavy, Medium Heavy, Normal, Medium Low, Light

#### Dispenser Trays:

Main Wash, Softener, Bleach

#### Warranty

One (1) Year Parts and Labor

Three (3) Years Stainless Steel Drum (Part Only)

Ten (10) Years Direct Drive Motor (Part Only)

#### Product Dimensions & Weight (WxHxD)

Dimensions: 27" x 38<sup>3</sup>/<sub>4</sub>" x 31<sup>3</sup>/<sub>8</sub>"

Weight: 201 lbs

#### Shipping Dimensions & Weight (WxHxD)

Dimensions: 29<sup>3</sup>/<sub>8</sub>" x 42<sup>3</sup>/<sub>8</sub>" x 34<sup>1</sup>/<sub>8</sub>"

Weight: 205 lbs

#### Color

Champagne WF45R6100AC 887276305295

White WF45R6100AW 887276299471

#### Matching Dryer (Electric/Gas)

Champagne DVE45R6100C 887276305943

White DVE45R6100W 887276300450

Champagne DVG45R6100C 887276305271

White DVG45R6100W 887276300498

#### Pedestal

Champagne WE402NC 887276310121

White WE402NW 887276310152

#### Accessories

Stacking Kit SKK-7A 887276146423