

NA24T4230FS

SAMSUNG

24" Gas Cooktop



Signature Features

4-Burner Flexible Cooktop

- Right Front: 5K BTU (Simmer)
- Left Front: 5K BTU (Simmer)
- Right Rear: 10.5K BTU
- Left Rear: 12.5K BTU (Power Burner)

Front Linear Controls

- Front Controls are easy to reach.

Continuous Cast Iron Grates

- Continuous edge-to-edge cast iron grates cover the whole cooktop surface and let you move even your heaviest cookware across the cooktop with ease.

Available Color



Stainless Steel



Wok Ring



Front Linear Controls

Features

- Powerful 4-Burner Flexible Cooktop
 - Right Front: 5K BTU (Simmer)
 - Left Front: 5K BTU (Simmer)
 - Right Rear: 10.5K BTU
 - Left Rear: 12.5K BTU (Power Burner)
- Front Linear Controls
- Continuous Cast Iron Grates
- Wok Ring
- Sealed Burners
- Flame Failure Device

Convenience

- LP Conversion Kit

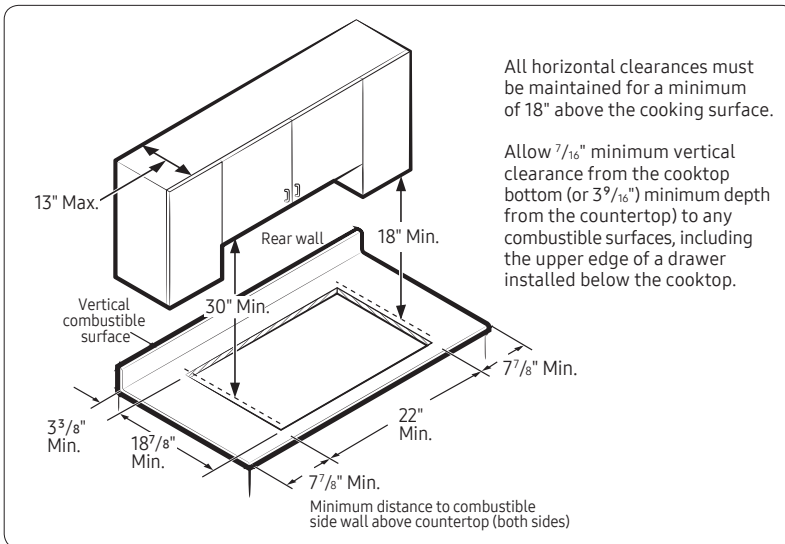
NA24T4230FS

SAMSUNG

24" Gas Cooktop

Installation Requirements

Countertop cut-out and minimum clearance dimensions:



Total Power (BTU)

33K

Power Source

120V / 60 Hz / 1A

Gas Cooktop (BTU)

- Right Front: 5K BTU (Simmer)
- Left Front: 5K BTU (Simmer)
- Right Rear: 10.5K BTU
- Left Rear: 12.5K BTU (Power Burner)

Warranty

One (1) Year All Parts and Labor

Product Dimensions & Weight (WxHxD)

Outside (Max) Cooktop Dimensions: 23 $\frac{5}{8}$ " x 4 $\frac{1}{2}$ " x 20 $\frac{1}{16}$ "

Cooktop Cut-Out Dimensions: 22" x 2" x 18 $\frac{7}{8}$ "

Weight: 29.5 lbs

Shipping Dimensions & Weight (WxHxD)

Dimensions: 27 $\frac{1}{4}$ " x 7 $\frac{1}{2}$ " x 22 $\frac{7}{8}$ "

Weight: 34.8 lbs

Color

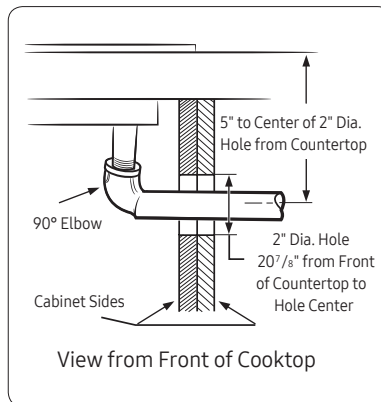
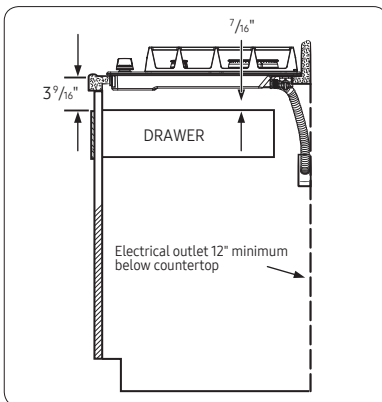
Stainless Steel

Model

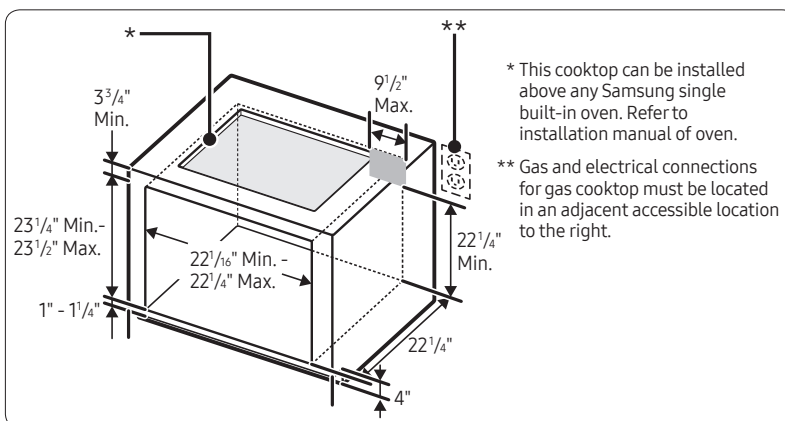
NA24T4230FS

UPC Code

887276420714



Installing Over a Single Oven



Cooktop Dimensions

