

Range Hood Hotte de la cuisine Campana de cocina

Installation Instructions Guide
Guide d'instructions d'installation
Guía de Instrucciones para Instalación

NK30K7000WS/A2 / NK36K7000WS/A2 / NK30K7000WG/A2 / NK36K7000WG/A2



Table of Contents

Important Safety Instructions	3
Installation Requirements	5
Electrical Requirements	5
Venting Requirements	5
Venting Methods	5
Tools and Parts	6
Dimensions and Clearances	6
Installation	7
Prepare Location	7
Vent Cover Bracket Installation	7
Installing the Range Hood	7
Connect Vent System	8
Electrical Connection	8
Install Duct Covers	9
Complete Installation	9
Range Hood Use	9
Range Hood Description	9
Range Hood Controls	10
Connectivity Cooktop / Hood Range	10
Range Hood Care	11
Stainless Steel Baffle Filter	11
Cleaning	11
Replacing a LED Lamp	11
Warranty (USA)	12
Warranty (Canada)	13

Important Safety Instructions

**APPROVED FOR RESIDENTIAL APPLIANCES
FOR RESIDENTIAL USE ONLY
READ AND SAVE THESE INSTRUCTIONS**

**PLEASE READ ENTIRE INSTALLATION GUIDE BEFORE PROCEEDING.
INSTALLATION MUST COMPLY WITH ALL LOCAL CODES.**

- IMPORTANT:** Save these Instructions for the Local Electrical Inspector's use.
- INSTALLER:** Please leave these Instructions with this unit for the owner.
- OWNER:** Please retain these instructions for future reference.

Symbols used in this manual

WARNING

Hazards or unsafe practices that may result in severe personal injury or death.

CAUTION

Hazards or unsafe practices that may result in electric shock, personal injury, or property damage.

NOTE

Useful tips and instructions

These warning icons and symbols are here to prevent injury to you and others.

Please follow them explicitly. After reading this section, keep it in a safe place for future reference.

WARNING

Turn off power circuit at service panel and lock out panel before wiring this appliance.

Requirement 120 VAC, 60 Hz. 15 or 20 A Branch Circuit

State of California Proposition 65 warning (US only)

WARNING

This product contains chemicals known to the State of California to cause cancer and birth defects or other reproductive harm.

1. FCC Notice

CAUTION

FCC CAUTION: Any changes or modifications not expressly approved by the party responsible for compliance could void the user's authority to operate the equipment.

This device complies with Part 15 of FCC Rules. Operation is Subject to following two conditions:

- 1) This device may not cause harmful interference, and
- 2) This device must accept any interference received including interference that cause undesired operation.

For products sold in the US and Canadian markets, only channels 1~11 are available. You cannot select any other channels.

FCC STATEMENT:

This equipment has been tested and found to comply within the limits for a Class B digital device, pursuant to part 15 of the FCC Rules. These limits are designed to provide reasonable protection against harmful interference in a residential installation.

This equipment generates, uses, and can radiate radio frequency energy and, if not installed and used in accordance with the instructions, may cause harmful interference to radio communications.

However, there is no guarantee that interference will not occur in a particular installation. If this equipment does cause harmful interference to radio or television reception, which can be determined by turning the equipment off and on, the user is encouraged to try to correct the interference by one or more of the following measures:

- Reorienting or relocating the receiving antenna
- Increasing the separation between the equipment and receiver
- Connecting the equipment to an outlet that is on a different circuit than the radio or TV
- Consulting the dealer or an experienced radio/TV technician for help.

FCC RADIATION EXPOSURE STATEMENT:

This equipment complies with FCC radiation exposure limits set forth for an uncontrolled environment. This equipment should be installed and operated so there is at least 8 inches (20 cm) between the radiator and your body. This device and its antenna(s) must not be co-located or operated in conjunction with any other antenna or transmitter.

2. IC Notice

The term "IC" before the radio certification number only signifies that Industry Canada technical specifications were met. Operation is subject to the following two conditions: (1) this device may not cause interference, and (2) this device must accept any interference, including interference that may cause undesired operation of the device.

This Class B digital apparatus complies with Canadian ICES-003. For products sold in the US and Canadian markets, only channels 1~11 are available. You cannot select any other channels.

IC RADIATION EXPOSURE STATEMENT:

This equipment complies with IC RSS-102 radiation exposure limits set forth for an uncontrolled environment. This equipment should be installed and operated so there is at least 8 inches (20 cm) between the radiator and your body. This device and its antenna(s) must not be co-located or operated in conjunction with any other antenna or transmitter.

Important Safety Instructions

⚠ WARNING

TO REDUCE THE RISK OF FIRE, ELECTRIC SHOCK, OR INJURY TO PERSONS, OBSERVE THE FOLLOWING PRECAUTIONS:

- Use this unit only in the manner intended by the manufacturer. If you have questions, contact the manufacturer.
- Before servicing or cleaning the unit, switch the power off at the service panel and lock the service panel to prevent power from being switched on accidentally. If the service panel cannot be locked, securely fasten a prominent warning device, such as a tag to the service panel.
- Installation work and electrical wiring must be done by qualified person(s) in accordance with all applicable codes and standards, including fire-rated construction.
- Sufficient air is needed for proper combustion and exhausting of gases through the flue (chimney) of fuel burning equipment to prevent backdrafting. Follow the heating equipment manufacturer's guideline and safety standards such as those published by the National Fire Protection Association (NFPA), the American Society for Heating, Refrigeration and Air Conditioning Engineers (ASHRAE), and the local code authorities.
- When cutting or drilling into the wall or ceiling; do not damage electrical wiring and other hidden utilities.
- Ducted fans must always be vented outdoors.

⚠ CAUTION

For general ventilating use only. Do not use to exhaust hazardous or explosive materials and vapors.

⚠ CAUTION

To reduce risk of fire and to properly exhaust air, be sure to duct air outside - do not vent exhaust air into spaces within walls or ceilings, attics or into crawl spaces, or garages.

⚠ WARNING

TO REDUCE THE RISK OF FIRE, USE ONLY METAL DUCTWORK

⚠ WARNING

TO REDUCE THE RISK OF A RANGE TOP GREASE FIRE:

- Never leave surface units unattended at high settings. Boilovers cause smoking and greasy spillovers that may ignite. Heat oils slowly on low or medium settings.

- Always turn the hood ON when cooking at high heat or when flambing food (i.e. Crepes Suzette, Cherries Jubilee, Peppercorn Beef Flambé).
- Clean ventilating fans frequently. Grease should not be allowed to accumulate on the fan or filter.
- Use proper pan sizes. Always use cookware appropriate for the size of the surface element.

⚠ WARNING

TO REDUCE THE RISK OF INJURY TO PERSONS IN THE EVENT OF A RANGE TOP GREASE FIRE, OBSERVE THE FOLLOWING PRECAUTIONS:^a

- SMOTHER FLAMES with a close fitting lid, cookie sheet, or metal tray, then turn off the burner. BE CAREFUL TO PREVENT BURNS. If the flames do not go out immediately, EVACUATE AND CALL THE FIRE DEPARTMENT.
- NEVER PICK UP A FLAMING PAN - you may get burned.
- DO NOT USE WATER, including wet dishcloths or towels - a violent steam explosion will result.
- Use an extinguisher ONLY if:
 - You know you have a class ABC extinguisher, and you already know how to operate it.
 - The fire is small and contained in the area where it started.
 - The fire department is being called.
 - You can fight the fire with your back to an exit.

^aBased on "Kitchen Fire Safety Tips" published by NFPA.

⚠ WARNING

To reduce the risk of fire or electrical shock, do not use this fan with any solid-state speed control device.

⚠ WARNING

Do not let children near this appliance. Do not let children play with this appliance.

Keep all packaging materials out of children's reach. Properly dispose the packaging materials after this appliance is unpacked.

Read and save these Instructions

Installation Requirements

Electrical Requirements

IMPORTANT

Observe all governing codes and ordinances.

It is the customer's responsibility:

To contact a qualified electrical installer.

To assure that the electrical installation is adequate and in conformance with National Electrical Code, ANSI/NFPA 70 — latest edition*, or CSA Standards C22.1-94, Canadian Electrical Code, Part 1 and C22.2 No.0-M91 - latest edition** and all local codes and ordinances.

If codes permit and a separate ground wire is used, it is recommended that a qualified electrician determine that the ground path is adequate. A copy of the above code standards can be obtained from:

National Fire Protection Association
1 Batterymarch Park
Quincy, MA 02169-7471
CSA International
8501 East Pleasant Valley Road
Cleveland, OH 44131-5575

- A 120 volt, 60 Hz., AC only, 15-amp, fused electrical circuit is required.
- If the house has aluminum wiring, follow the procedure below:
 1. Connect a section of solid copper wire to the pigtail leads.
 2. Connect the aluminum wiring to the added section of copper wire using special connectors and/or tools designed and UL listed for joining copper to aluminum.
- Follow the electrical connector manufacturer's recommended procedure. Aluminum/copper connection must conform with local codes and industry accepted wiring practices.
- Wire sizes and connections must conform with the rating of the appliance as specified on the model/serial rating plate. The model/serial plate is located behind the filter on the rear wall of the range hood.
- Wire sizes must conform to the requirements of the National Electrical Code, ANSI/NFPA 70 (latest edition), or CSA Standards C22.1-94, Canadian Electrical Code, Part 1 and C22.2 No. 0-M91 (latest edition and all local codes and ordinances).

Venting Requirements (ducted model only)

- Vent system must terminate outdoors.
- Do not terminate the vent system in an attic or other enclosed area.
- Do not use a 4" (10.2 cm) laundry-type wall cap.
- Use metal vent only. Rigid metal vent is recommended. Plastic or metal foil vent is not recommended.
- The length of the vent system and the number of elbows should be kept to a minimum to provide efficient performance.

For the most efficient and quiet operation:

- Use no more than three 90° elbows.
- Make sure there is a minimum of 24" (61 cm) of straight vent between the elbows if more than 1 elbow is used.
- Do not install 2 elbows together.
- Use clamps to seal all joints in the vent system.
- The vent system must have a damper. If the roof or wall cap has a damper, do not use the damper supplied with the range hood.
- Use caulking to seal the exterior wall or roof opening around the cap.
- The size of the vent should be uniform.

Venting Methods

This canopy hood is factory set for venting through the roof or wall. A 6" (15.2 cm) round vent system is needed for installation (not included). The hood exhaust opening is 6" (15.2 cm) round.

NOTE

Flexible vent is not recommended. Flexible vent creates back pressure and air turbulence that greatly reduce performance. The vent system can terminate either through the roof or wall. To vent through a wall, a 90° elbow is needed.

Mounting Height

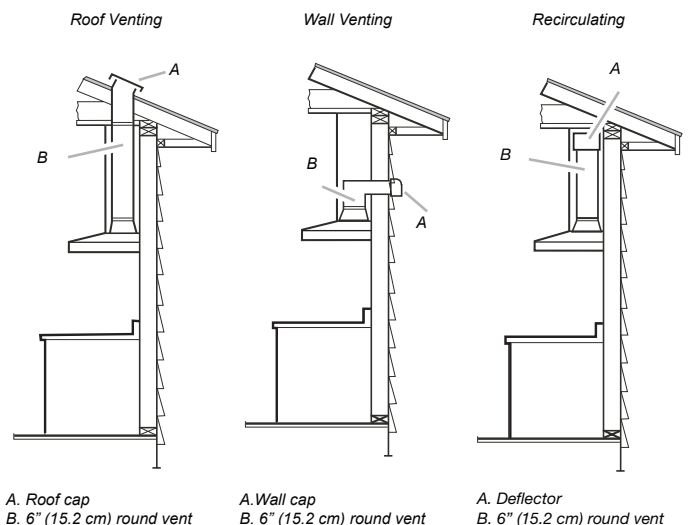
Select a mounting height between a minimum of 24" (61 cm) for an electric cooking surface, a minimum of 30" (76.2 cm) for a gas cooking surface, and a suggested maximum of 36" (91.4 cm) above the range to the bottom of the hood.

Rear discharge

A 90° elbow may be installed immediately above the hood.

For Non-Vented (recirculating) Installations

If it is not possible to vent cooking fumes and vapors to the outside, the hood can be used in the non-vented (recirculating) version. fitting a charcoal filter and the deflector. Fumes and vapors are recycled through the top grille.



Installation Requirements

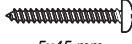
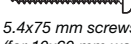

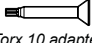


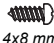
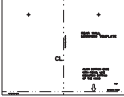
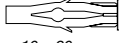
Tools and Parts

Parts supplied
Removing the packaging

CAUTION
Remove the carton carefully. Wear gloves to protect against sharp edges.

WARNING
Remove the protective film covering the product before putting into operation.

- Hood canopy assembly with blower and LED lamps already installed.
- 6" (15.2 cm) round air transition
- Duct covers
- Hardware bag with:

Part	Qty	Part	Qty
 5x45 mm	6	 5.4x75 mm screws (for 10x60 mm wall anchors)	4
 8x40 mm	2	 Torx 10 adapter	1
 3.5x9.5 mm	2	 Duct cover bracket	1
 4x8 mm	4	 Mounting template	1
 10 x 60 mm	4		

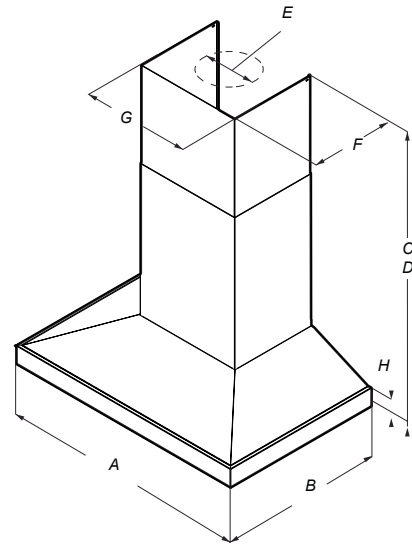
Tools/Materials required

- Level
- Drill with 1¼" (3.2 cm), ½" (3.2 mm), and ¼" (4,8 mm) drill bits
- Pencil
- Wire stripper or utility knife
- Tape measure or ruler
- Pliers
- Caulking gun and weatherproof caulking compound
- Vent clamps
- Jigsaw or keyhole saw
- Flat-blade screwdriver
- Metal snips
- Phillips & Torx 20 screwdriver

Parts needed

- Home power supply cable
- ½" (12.7 mm) UL listed or CSA approved strain relief
- 3 UL listed wire connectors
- 1 wall or roof cap
- Metal vent system

Dimensions and Clearances



	NK30K7000WS/A2 NK30K7000WG/A2	NK36K7000WS/A2 NK36K7000WG/A2
A	30" (76 cm)	36" (91.2 cm)
B	19 ¹¹ / ₁₆ " (50 cm)	
C*	max. 39 ¹ / ₁₆ " (100.3 cm) min. 25 ¹ / ₁₆ " (64.5 cm)	
D**	max. 43 ³ / ₁₆ " (110 cm) min. 29 ³ / ₁₆ " (73.9 cm)	
E	6" (15.24 cm)	
F	10 ¹⁹ / ₁₆ " (26.9 cm)	
G	13 ¹ / ₁₆ " (33.2 cm)	
H	2 ³ / ₈ " (6 cm)	

*For vented installations

**For non vented (recirculating) installations

Accessories

Model	NK30K7000WS/A2 NK36K7000WS/A2	NK30K7000WG/A2 NK36K7000WG/A2
Extension Kit	NK-AE705PWS/AA	NK-AE705PWG/AA
Recirculation Kit	NK-AF030FNB/AA	
Charcoal Filter	NK-AR050FNB/AA	

* Order the needed kit specifying your hood model.

Installation

Installation Instructions

Preparing the Location

- We recommend you install the vent system before you install the hood.
- Before making cutouts, make sure there is proper clearance within the ceiling or wall for the exhaust vent.
- Check your ceiling height and the hood height maximum before you select your hood.

- Disconnect power.
- Determine which venting method to use: roof or wall.
- Select a flat surface for assembling the range hood. Place a covering over that surface.

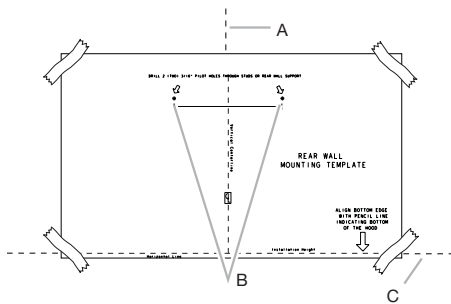
⚠ WARNING

TO REDUCE THE RISK OF FIRE, ELECTRIC SHOCK, OR INJURY TO PERSONS, OBSERVE THE FOLLOWING

- Using 2 or more people, lift the range hood onto covered surface.

Range hood mountig screws installation

- Determine and mark the centerline on the wall where the canopy hood will be installed. Disconnect power.
- Select a mounting height between a minimum of 24" (60.9 cm) for an electric cooking surface, a minimum of 30" (76.2 cm) for a gas cooking surface, and a suggested maximum of 36" (91.4 cm) above the range to the bottom of the hood. Mark a reference line on the wall.
- Tape the template in place, aligning the template centerline and the bottom of the template with the hood bottom line and with the centerline marked on the wall.

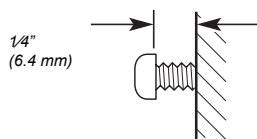


A. Centerline
B. Fastener locations
C. Mounting height reference (hood bottom line)

- Mark the fastener locations by pushing a pen or pencil tip through the template into the wall.

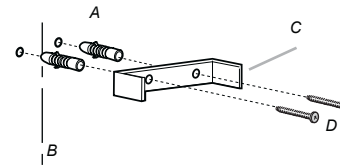
IMPORTANT: All screws must be installed into wood. If there is no wood to screw into, additional wall framing supports may be required.

- Remove the template.
- Drill $\frac{3}{16}$ " (4.8 mm) pilot holes at all locations where screws are being installed into wood.
- Install the 2 - 5 x 45 mm mounting screws. Leave a $\frac{1}{4}$ " (6.4 mm) gap between the wall and the back of the screw head so you can slide the range hood into place.



Vent cover bracket installation

- Attach the vent cover bracket to the wall flush to the ceiling using 2 - 5 x 45 mm screws.



A. 8 x 40 mm drywall anchors
B. Centerline on wall
C. Vent cover support bracket
D. 5 x 45 mm screws

Complete Preparation

- Determine and make all necessary cuts in the wall for the vent system. Install the vent system before installing the hood. See the "Venting Requirements" section.
- Determine the required height for the home power supply cable and drill a $1\frac{1}{4}$ " (3.2 cm) hole at this location.
- Run the home power supply cable according to the National Electrical Code or CSA Standards and local codes and ordinances. There must be enough wire from the fused disconnect (or circuit breaker) box to make the connection in the hood's electrical terminal box.

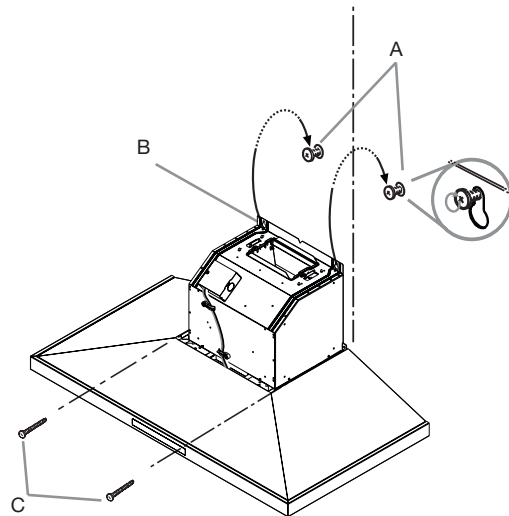
NOTE

Do not reconnect power until installation is complete.

- Use caulk to seal all openings.

Installing the range hood

- Using 2 or more people, hang the range hood on 2 mounting screws by inserting the mounting screws through the mounting slots on the back of the hood.



A. Mounting screws
B. Mounting slots
C. Lower mounting screws

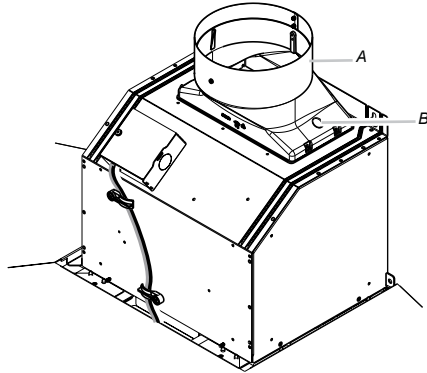
- Mark the lower mounting hole's location with a pencil.
- Remove the hood assembly from the wall, and then drill $\frac{3}{16}$ " (4.8 mm) pilot holes at the marked locations.
- Hang the range hood again on the 2 upper mounting screws.
- Level the range hood and tighten the upper mounting screws.
- Install the 2 - 5 x 45 mm lower mounting screws and tighten. Use the optional wall anchors if needed.

Installation

Connecting the Vent System

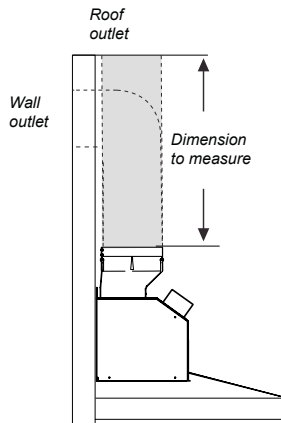
This hood is compatible with vented installations only.

1. Install the transition on the top of the hood (if removed for shipping) using 2 - 3.5 x 9.5 mm sheet metal screws.



A. Vent transition
B. 3.5 x 9.5 mm screw

2. Fit the vent system over the exhaust outlet.
3. Measure from the bottom of the air deflector to the bottom of the hood outlet. Cut the ductwork at the measured length.



4. Seal the connection with clamps.
5. Check that the back draft dampers work properly.

Electrical Connection

⚠ WARNING

Electrical Shock Hazard

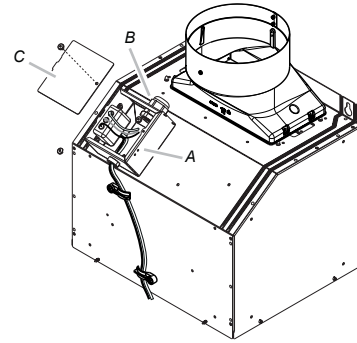
Disconnect power before servicing.

Replace all parts and panels before operating.

Failure to do so can result in death or electrical shock.

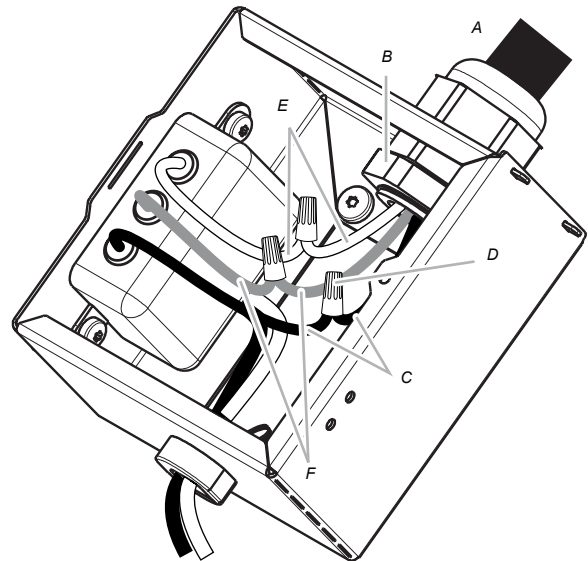
1. Disconnect power.
2. Remove the terminal box cover.

3. Remove the knockout in the terminal box cover and install a UL listed or CSA approved 1/2" strain relief.



A. Terminal box
B. Knockout
C. Terminal box cover

4. Run the home power supply cable through the strain relief into the terminal box.



A. Home power supply cable
B. UL listed or CSA approved strain relief
C. Black wires (Normally L1. Confirm before connecting.)
D. UL listed wire connectors
E. White wires (Normally neutral. Confirm before connecting.)
F. Green (or bare) and yellow-green ground wires

5. Use UL listed wire connectors and connect the black wires (C) together.
6. Use UL listed wire connectors and connect the white wires (E) together.

⚠ WARNING

Electrical Shock Hazard

Electrically ground blower.

Connect the ground wire to the green and yellow ground wire in the terminal box. Failure to do so can result in death or electrical shock.

7. Connect the green (or bare) ground wire from the home power supply to the yellow-green ground wire (F) in the terminal box using UL listed wire connectors.
8. Tighten the strain relief screw.
9. Install the terminal box cover.
10. Reconnect the power.

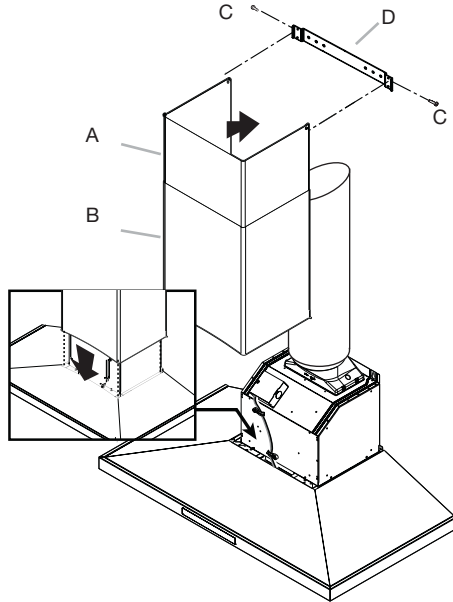
Installation

Installing the duct covers

When using both upper and lower vent covers, push the lower cover down onto hood and lift the upper cover to the ceiling and install with two mounting screws.

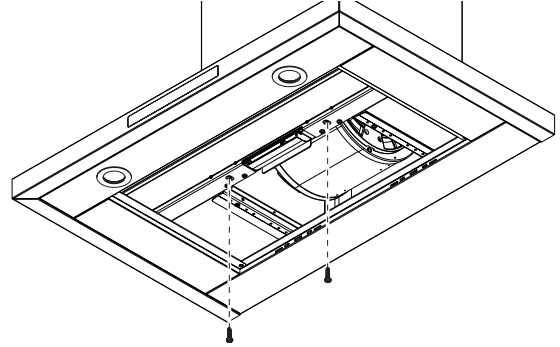
NOTE

The upper vent cover may be reversed to hide the slots.



A. Upper vent cover
B. Lower vent cover
C. 4.2 x 8 mm screws
D. Bracket

Secure the bottom of the duct with 2 - 4 x 8 mm screws.



Completing the Installation

For non-vented (recirculating) installations only.

Install charcoal filters over the blower grids. See the "Range Hood Care" Section.

1. Install the metal baffle filters. See the "Range Hood Care" section.
2. Check the operation of the range hood blower and light. See the "Range Hood Use" section.

NOTE

To get the most efficient use from your new range hood, read the "Range Hood Use" section.

Charcoal Filter

If the model is not vented to the outside, the air will be recirculated through disposable charcoal filters that help remove smoke and odors. The charcoal filters are clipped on the motor housing frame.

NOTE

To Reduce the Risk of Fire and Shock use only the charcoal filter **NK-AR050FNB/AA**.

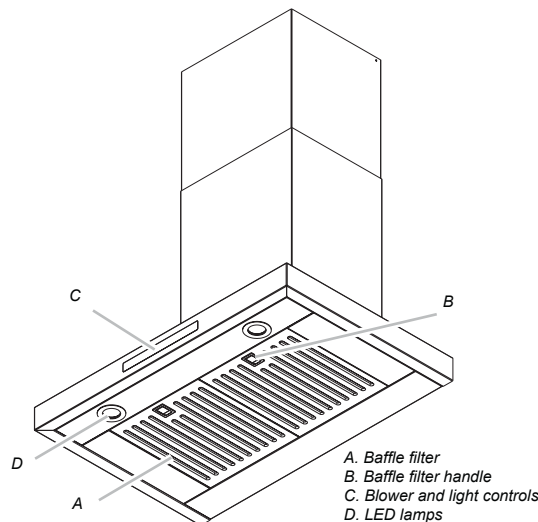
Charcoal filters are not included with the hood.

They must be ordered from your supplier or Samsung service center. Order the needed kit specifying your hood model and width size.

Range Hood Use

Range Hood Description

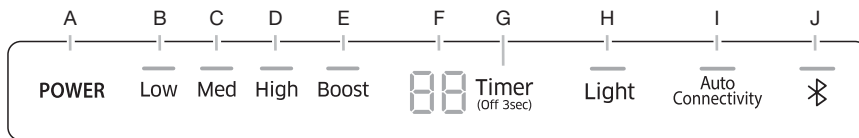
The range hood is designed to remove smoke, cooking vapors, and odors from the cooktop area. For best results, start the hood before cooking and allow it to operate several minutes after cooking is complete to clear all smoke and odors from the kitchen. The hood controls are located on the front side.



A. Baffle filter
B. Baffle filter handle
C. Blower and light controls
D. LED lamps

Range Hood Use

Range Hood Controls



- A. Power
- B. Low Speed
- C. Medium Speed
- D. High Speed
- E. Boost Speed
- F. Timer Display
- G. Timer
- H. Light
- I. Auto Connectivity
- J. Bluetooth

POWER

- Press the POWER button and the hood will be activated at default speed (Default Speed : Low).
- Press again and the hood will return to sleep mode.

LOW

- Press the LOW button and the hood will be activated at Low speed.

MED

- Press the MED button and the hood will be activated at Medium speed.

HIGH

- Press the HIGH button and the hood will be activated at High speed.

BOOST

- Press the BOOST button and the hood will be activated at Maximum speed for 10 minutes.
- After 10 minutes, the hood will slow to High speed.

Normal mode:

High & Boost CFM is same (390CFM).

Power mode:

High mode is 390 CFM and Boost mode is 600 CFM. Please refer to CFM Conversion.

Timer Display

- Shows the timer settings.

Timer

Setting the timer ON

- Press the Timer button to set the working time.
 - Each time you press the Timer, you add 10 minutes to the displayed time, up to a maximum of 99 minutes. The hood will stay on for the amount of time you have set.
 - After the Timer counts down to zero, the Timer LED light will start to blink.
 - The Timer LED will blink for 5 seconds, and then the hood will turn off automatically.

Setting the timer OFF

- Press the Timer button for 3 seconds and the Timer function will turn off.

Light

- Press the Light button and the lamps will turn on.
- Press the Light button again and the lamps will turn off.

Sound

Muting / Unmuting the hood.

- Press and hold the Light button for 3 seconds to turn off the hood sounds.
- Press and hold again to turn on the sounds.

COOKTOP AND RANGE HOOD CONNECTIVITY

This appliance has a feature which allows you to pair compatible Samsung cooktops and your hood via Bluetooth.

After you enable this function and pair your hood and a compatible cooktop, the hood fan will automatically come on at Low speed when you turn on a cooktop element. The hood fan will also shut off automatically when you turn off the cooktop elements.

In addition, after the hood and compatible cooktop are paired, you can download the Samsung Smart Home app to a mobile device, and then use the Samsung Smart Home app to:

- Monitor and control the On/Off status of the hood.
- Monitor and control the fan speed.
- Monitor and control the lights.
- Set the hood shut-off timer with the time-up alarm.

For more information about downloading the Samsung Smart Home app to your mobile device and using it to control your hood, visit:

- www.samsung.com.

Bluetooth connection (Pairing)

- Press the Bluetooth button on hood. The pairing mode will be activated and the indicator on the Bluetooth button will blink.
- Press the Bluetooth button on cooktop.

NOTE

For a detailed description of the pairing method, see the user manual of a compatible Samsung cooktop.

- After the pairing process finishes, the Bluetooth light will stay lit and appears in the display.

Bluetooth disconnection (Pairing reset)

- Press and hold the Bluetooth button on the hood for 3 seconds.
- The Bluetooth connection disconnects.

Auto Connectivity

The Auto Connectivity function lets you quickly connect the hood via Bluetooth with a compatible Samsung cooktop after the hood and cooktop have been paired. To turn the function on, press the Auto Connectivity button. To turn the function off and disconnect the hood and cooktop, press the Auto Connectivity button again.

While the hood and cooktop are connected, the hood fan will automatically come on at Low speed when you turn on a cooktop element. The hood fan will also shut off automatically when you turn off the cooktop elements. You will also be able to control the hood with the Samsung Smart Home app as described above.

- Press the Auto Connectivity button to activate the function.
- The hood will turn on/off automatically following the cooktop.
- Press again to deactivate the function.

Image	Remote Control by Samsung Smart Home App	Auto Connectivity	Hood Function
	X	X	O
	O	X	O
	O	O	O

NOTE

These functions are only available if you have installed a compatible Samsung Bluetooth cooktop.

Range Hood Use

Performance (CFM) Conversion

- Press and hold the HIGH and BOOST button on the hood for 3 seconds to convert Blower performance.
- Normal mode: 40 appears in the display. The blower will operate normally (Max 390 CFM).
- Power mode: 60 appears in the display. The blower will operate powerfully (Max 600 CFM).

⚠ CAUTION

- Do not activate this function without qualified person. We recommend that a qualified technician install the range hood. It is the installer's responsibility to ensure the range hood complies with the installation clearances specified for the product. To activate Power mode of this function, the Make-up air system is required.

Makeup Air

- When using ventilation systems with greater than specified CFM of air movement, review local building codes as they may require makeup air systems. Consult a HVAC professional for specific requirements for your area as CFM requirements can vary between locales.
- Consult a HVAC professional to select the correct CFM capacity range hood for your application. The CFM capacity depends on the range or cooktop BTU rating, size and location, size of the kitchen and the range hood ductwork in the kitchen.

Range Hood Care

Range Hood Care

Cleaning

IMPORTANT: Clean the hood and baffle filters frequently according to the following instructions. Replace the baffle filters before operating the hood.

Exterior Surfaces:

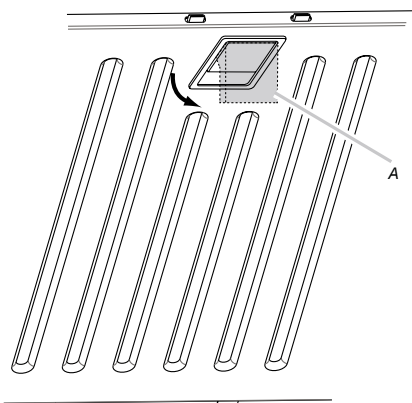
To avoid damage to the exterior surface, do not use steel wool or soap-filled scouring pads to clean the hood. Always wipe dry to avoid water marks.

Cleaning Method:

- Liquid detergent soap and water or all-purpose cleanser
- Wipe with a damp soft cloth or nonabrasive sponge, then rinse with clean water and wipe dry.
- Do not use cleaning agents containing bleach.

Stainless Steel Baffle Filter:

1. Remove the filter by pulling the spring release handle, and then pulling down the filter.



A. Spring release handle

2. Wash the stainless steel baffle filter as needed in your dishwasher or a hot detergent solution.
3. To reinstall the filter, first make sure the spring release handles are toward the front. Insert the stainless steel filter into the upper track.
4. Push in the spring release handle.
5. Push up on the stainless steel filter, and then release the handle to latch the filter into place.

⚠ WARNING

When removing the filter, please hold it with both hands to make sure it does not fall.

Replacing an LED Lamp

The LED lights are replaceable by a service technician only. See the support contact information in the Warranty section.

Replacing the charcoal filter

After approximately one year of use, the charcoal filter should be replaced with a new one, as the odour reduction capacity will be reduced.

📖 NOTE

Charcoal filters are not included with the hood. They must be ordered from your supplier or Samsung service center. Order the needed kit specifying your hood model and width size.

warranty (USA)

SAMSUNG RANGE HOOD

Limited warranty to original purchaser

This SAMSUNG brand product, as supplied and distributed by Samsung Electronics America, Inc. (SAMSUNG) and delivered new, in the original carton to the original consumer purchaser, is warranted by SAMSUNG against manufacturing defects in materials and workmanship for a limited warranty period of:

ONE (1) YEAR PARTS AND LABOR

This limited warranty begins on the original date of purchase, and is valid only on products purchased and used in the United States. To receive warranty service, the purchaser must contact SAMSUNG for problem determination and service procedures. Warranty service can only be performed by a SAMSUNG authorized service center. The original dated bill of sale must be presented upon request as proof of purchase to SAMSUNG or SAMSUNG's authorized service center.

SAMSUNG will repair or replace this product, at our option and at no charge as stipulated herein, with new or reconditioned parts or products if found to be defective during the limited warranty period specified above. All replaced parts and products become the property of SAMSUNG and must be returned to SAMSUNG. Replacement parts and products assume the remaining original warranty, or ninety (90) days, whichever is longer.

In-home service will be provided during the warranty labor period subject to availability within the contiguous United States. In-home service is not available in all areas. To receive in-home service, the product must be unobstructed and accessible to service personnel. If during in-home service repair can not be completed, it may be necessary to remove, repair and return the product.

This limited warranty covers manufacturing defects in materials and workmanship encountered in normal, noncommercial use of this product and shall not apply to the following, including, but not limited to: damage which occurs in shipment; delivery and installation; applications and uses for which this product was not intended; altered product or serial numbers; cosmetic damage or exterior finish; accidents, abuse, neglect, fire, water, lightning or other acts of nature; use of products, equipment, systems, utilities, services, parts, supplies, accessories, applications, installations, repairs, external wiring or connectors not supplied or authorized by SAMSUNG which damage this product or result in service problems; incorrect electrical line voltage, fluctuations and surges; customer adjustments and failure to follow operating instructions, cleaning, maintenance and environmental instructions that are covered and prescribed in the instruction book; problems caused by pest infestations, and overheating by user.

THERE ARE NO EXPRESS WARRANTIES OTHER THAN THOSE LISTED AND DESCRIBED ABOVE, AND NO WARRANTIES WHETHER EXPRESS OR IMPLIED, INCLUDING, BUT NOT LIMITED TO, ANY IMPLIED WARRANTIES OF MERCHANTABILITY OR FITNESS FOR A PARTICULAR PURPOSE, SHALL APPLY AFTER THE EXPRESS WARRANTY PERIODS STATED ABOVE, AND NO OTHER EXPRESS WARRANTY OR GUARANTEE GIVEN BY ANY PERSON, FIRM OR CORPORATION WITH RESPECT TO THIS PRODUCT SHALL BE BINDING ON SAMSUNG. SAMSUNG SHALL NOT BE LIABLE FOR LOSS OF REVENUE OR PROFITS, FAILURE TO REALIZE SAVINGS OR OTHER BENEFITS, OR ANY OTHER SPECIAL, INCIDENTAL OR CONSEQUENTIAL DAMAGES CAUSED BY THE USE, MISUSE OR INABILITY TO USE THIS PRODUCT, REGARDLESS OF THE LEGAL THEORY ON WHICH THE CLAIM IS BASED, AND EVEN IF SAMSUNG HAS BEEN ADVISED OF THE POSSIBILITY OF SUCH DAMAGES. NOR SHALL RECOVERY OF ANY KIND AGAINST SAMSUNG BE GREATER IN AMOUNT THAN THE PURCHASE PRICE OF THE PRODUCT SOLD BY SAMSUNG AND CAUSING THE ALLEGED DAMAGE. WITHOUT LIMITING THE FOREGOING, PURCHASER ASSUMES ALL RISK AND LIABILITY FOR LOSS, DAMAGE OR INJURY TO PURCHASER AND PURCHASER'S PROPERTY AND TO OTHERS AND THEIR PROPERTY ARISING OUT OF THE USE, MISUSE OR INABILITY TO USE THIS PRODUCT SOLD BY SAMSUNG NOT CAUSED DIRECTLY BY THE NEGLIGENCE OF SAMSUNG. THIS LIMITED WARRANTY SHALL NOT EXTEND TO ANYONE OTHER THAN THE ORIGINAL PURCHASER OF THIS PRODUCT IS NON-TRANSFERABLE AND STATES YOUR EXCLUSIVE REMEDY.

Some provinces or territories may or may not allow limitations on how long an implied warranty lasts, or the exclusion or limitation of incidental or consequential damages, so the above limitations or exclusions may not apply to you. This warranty gives you specific legal rights, and you may also have other rights which vary from state to state.

To obtain warranty service, please contact SAMSUNG at:

1-800-SAMSUNG (726-7864) or
www.samsung.com/us/support

warranty (Canada)

SAMSUNG RANGE HOOD

Limited warranty to original purchaser

This SAMSUNG brand product, as supplied and distributed by Samsung Electronics Canada, Inc. (SAMSUNG) and delivered new, in the original carton to the original consumer purchaser, is warranted by SAMSUNG against manufacturing defects in materials and workmanship for a limited warranty period of:

ONE (1) YEAR PARTS AND LABOR

This limited warranty begins on the original date of purchase, and is valid only on products purchased and used in Canada. To receive warranty service, the purchaser must contact SAMSUNG for problem determination and service procedures. Warranty service can only be performed by a SAMSUNG authorized service center. The original dated bill of sale must be presented upon request as proof of purchase to SAMSUNG or SAMSUNG's authorized service center.

SAMSUNG will repair or replace this product, at our option and at no charge as stipulated herein, with new or reconditioned parts or products if found to be defective during the limited warranty period specified above. All replaced parts and products become the property of SAMSUNG and must be returned to SAMSUNG. Replacement parts and products assume the remaining original warranty, or ninety (90) days, whichever is longer.

In-home service will be provided during the warranty labor period subject to availability within the contiguous Canada. In-home service is not available in all areas. To receive in-home service, the product must be unobstructed and accessible to service personnel. If during in-home service repair can not be completed, it may be necessary to remove, repair and return the product.

This limited warranty covers manufacturing defects in materials and workmanship encountered in normal, noncommercial use of this product and shall not apply to the following, including, but not limited to: damage which occurs in shipment; delivery and installation; applications and uses for which this product was not intended; altered product or serial numbers; cosmetic damage or exterior finish; accidents, abuse, neglect, fire, water, lightning or other acts of nature; use of products, equipment, systems, utilities, services, parts, supplies, accessories, applications, installations, repairs, external wiring or connectors not supplied or authorized by SAMSUNG which damage this product or result in service problems; incorrect electrical line voltage, fluctuations and surges; customer adjustments and failure to follow operating instructions, cleaning, maintenance and environmental instructions that are covered and prescribed in the instruction book; problems caused by pest infestations, and overheating by user. SAMSUNG does not warrant uninterrupted or error-free operation of the product.

THERE ARE NO EXPRESS WARRANTIES OTHER THAN THOSE LISTED AND DESCRIBED ABOVE, AND NO WARRANTIES WHETHER EXPRESS OR IMPLIED, INCLUDING, BUT NOT LIMITED TO, ANY IMPLIED WARRANTIES OF MERCHANTABILITY OR FITNESS FOR A PARTICULAR PURPOSE, SHALL APPLY AFTER THE EXPRESS WARRANTY PERIODS STATED ABOVE, AND NO OTHER EXPRESS WARRANTY OR GUARANTEE GIVEN BY ANY PERSON, FIRM OR CORPORATION WITH RESPECT TO THIS PRODUCT SHALL BE BINDING ON SAMSUNG. SAMSUNG SHALL NOT BE LIABLE FOR LOSS OF REVENUE OR PROFITS, FAILURE TO REALIZE SAVINGS OR OTHER BENEFITS, OR ANY OTHER SPECIAL, INCIDENTAL OR CONSEQUENTIAL DAMAGES CAUSED BY THE USE, MISUSE OR INABILITY TO USE THIS PRODUCT, REGARDLESS OF THE LEGAL THEORY ON WHICH THE CLAIM IS BASED, AND EVEN IF SAMSUNG HAS BEEN ADVISED OF THE POSSIBILITY OF SUCH DAMAGES. NOR SHALL RECOVERY OF ANY KIND AGAINST SAMSUNG BE GREATER IN AMOUNT THAN THE PURCHASE PRICE OF THE PRODUCT SOLD BY SAMSUNG AND CAUSING THE ALLEGED DAMAGE. WITHOUT LIMITING THE FOREGOING, PURCHASER ASSUMES ALL RISK AND LIABILITY FOR LOSS, DAMAGE OR INJURY TO PURCHASER AND PURCHASER'S PROPERTY AND TO OTHERS AND THEIR PROPERTY ARISING OUT OF THE USE, MISUSE OR INABILITY TO USE THIS PRODUCT SOLD BY SAMSUNG NOT CAUSED DIRECTLY BY THE NEGLIGENCE OF SAMSUNG. THIS LIMITED WARRANTY SHALL NOT EXTEND TO ANYONE OTHER THAN THE ORIGINAL PURCHASER OF THIS PRODUCT IS NON-TRANSFERABLE AND STATES YOUR EXCLUSIVE REMEDY.

Some provinces or territories may or may not allow limitations on how long an implied warranty lasts, or the exclusion or limitation of incidental or consequential damages, so the above limitations or exclusions may not apply to you. This warranty gives you specific legal rights, and you may also have other rights which vary from state to state.

To obtain warranty service, please contact SAMSUNG at:

1-800-SAMSUNG (726-7864) or
www.samsung.com/ca/support (English),
www.samsung.com/ca_fr/support (French)

Sommaire

Importantes Consignes de Sécurité	15
Exigences d'Installation	17
Spécifications Électriques	17
Exigences Concernant l'évacuation	17
Méthodes d'évacuation	17
Outils et Pièces	18
Dimensions et Espaces	18
Installation de la Hotte	19
Préparation de l'emplacement	19
Installation de la bride de cache-conduit	19
Installation de la Hotte	19
Raccordement du circuit d'évacuation	20
Connexion Électrique	20
Installation des Cache-conduits	21
Achever l'installation	21
Utilisation de la Hotte	21
Description de la Hotte	21
Commandes de la Hotte de Cuisinière	22
Connectivity Cooktop / Hood Range	22
Entretien de la Hotte	23
Acier inoxydable Baffle Filtre	23
Nettoyage	23
Remplacement de la Lampe à DEL	23
Garantie (USA)	24
Garantie (Canada)	25

Importantes Consignes de Sécurité

APPROUVÉ POUR LES APPAREILS DE TYPE RÉSIDENTIEL POUR UNE UTILISATION RÉSIDENTIELLE SEULEMENT LISEZ CES INSTRUCTIONS ET CONSERVEZ-LES

VEUILLEZ LIRE CES INSTRUCTIONS AU COMPLET AVANT DE COMMENCER.

L'INSTALLATION DE L'APPAREIL DOIT RESPECTER TOUS LES CODES EN VIGUEUR.

IMPORTANT: Conservez ces instructions afin de pouvoir les remettre à l'inspecteur-électricien de votre région.

INSTALLATEUR: Veuillez laisser ces instructions avec l'appareil pour le propriétaire.

PROPRIÉTAIRE: Veuillez conserver ces instructions pour pouvoir vous y référer plus tard.

Symboles utilisés dans ce manuel

AVERTISSEMENT

Dangers ou pratiques dangereuses qui peuvent entraîner des blessures personnelles graves ou la mort.

ATTENTION

Dangers ou pratiques dangereuses qui peuvent entraîner un choc électrique, des blessures personnelles ou des dommages matériels.

REMARQUE

Des conseils et des instructions utiles

Ces icônes et ces symboles d'avertissement sont là pour prévenir des blessures qui peuvent vous arriver aussi bien à vous qu'aux autres. S'il vous plaît suivez-les de manière explicite. Après avoir lu cette section, le conserver dans un endroit sûr pour des références futures.

AVERTISSEMENT

Coupez l'alimentation du circuit dans le panneau électrique et verrouillez le panneau avant de raccorder les fils de cet appareil.

Exigence 120 V c.a., 60 Hz circuit de dérivation de 15 V c.a., 20 Hz, de 15 ou 20 A.

Etat de Californie Proposition 65 avertissement (Etats-Unis seulement)

AVERTISSEMENT

Ce produit contient des produits chimiques reconnus par l'Etat de Californie comme pouvant provoquer des cancers et des malformations congénitales ou autres problèmes de reproduction.

Avis de la FCC

ATTENTION

Mise en garde de la FCC: Tout changement ou modification qui n'est pas expressément approuvés par la partie responsable de cet appareil électrique (l'entreprise) pourrait annuler les droits des consommateurs à utiliser l'équipement.

Cet appareil est conforme à la partie 15 des règles de la FCC. Le fonctionnement est soumis à deux conditions suivantes :

- 1) Ce dispositif ne peut pas causer d'interférences néfastes, et
 - 2) Cet appareil doit accepter toute interférence reçue, y compris les interférences qui peuvent provoquer un mauvais fonctionnement.
- Pour les produits vendus sur les marchés américains et canadiens, seuls les canaux 1~11 sont disponibles. Vous ne pouvez pas sélectionner d'autres canaux.

DECLARATION DE LA FCC :

Cet équipement a été testé et jugé conforme aux limites pour un appareil numérique de classe B, en vertu de la partie 15 des règles de la FCC. Ces limites sont conçues pour fournir une protection raisonnable contre les néfastes interférences dans une installation résidentielle. Cet équipement génère, utilise et peut émettre de l'énergie de radio fréquence et, si il n'est pas installé et utilisé conformément aux instructions, il peut provoquer des interférences néfastes dans des communications radio.

Cependant, il n'y a aucune garantie que l'interférence ne se produira pas dans une installation particulière. Si cet équipement provoque des interférences néfastes à la réception radio ou télévision, ce qui peut être déterminé en mettant l'appareil hors tension, l'utilisateur est encouragé à essayer de corriger les interférences en appliquant une ou plusieurs des mesures suivantes :

- Réorienter ou déplacer l'antenne de réception
- Augmenter la distance entre l'équipement et le récepteur
- Connecter l'appareil à une prise qui se trouve sur un circuit différent de celui de la radio ou de la télévision.
- Consulter le revendeur ou un technicien radio/ TV.

FCC EXPOSITION AUX RADIATIONS :

Cet équipement est conforme aux limites FCC d'exposition aux radiations définies pour un environnement non contrôlé. Cet équipement doit être installé et utilisé de manière à ce qu'il y ait au moins 8 pouces (20 cm) entre le radiateur et votre corps. Cet appareil et son antenne ne doivent pas être situés ou opérer en accord avec une autre antenne ou émetteur.

2.AVIS IC

Le terme « IC » avant le numéro de certification radio signifie uniquement que les spécifications techniques d'industrie canadienne ont été respectées. Le fonctionnement est soumis aux deux conditions suivantes: (1) ce dispositif ne peut pas provoquer d'interférences et (2) cet appareil doit accepter toute interférence, y compris les interférences qui peuvent causer un mauvais fonctionnement de l'appareil. Cet appareil numérique de classe B est conforme à la norme ICES-003 du Canada. Pour les produits vendus sur les marchés américains et canadiens, seuls les canaux 1~11 sont disponibles. Vous ne pouvez pas sélectionner d'autres canaux.

DECLARATION D'EXPOSITION AUX RADIATIONS DE L'IC :

Cet équipement est conforme aux normes de l'IC RSS-102 limites d'exposition aux radiations définies pour un environnement non contrôlé. Cet équipement doit être installé et utilisé de manière à ce qu'il y ait au moins 8 pouces (20cm) entre le radiateur et votre corps. Cet appareil et son antenne ne doivent pas être situés ou opérer en accord avec une autre antenne ou émetteur.

Importantes Consignes de Sécurité

⚠ AVERTISSEMENT

POUR RÉDUIRE LE RISQUE D'INCENDIE, CHOC ÉLECTRIQUE OU DOMMAGES CORPORELS, RESPECTER LES INSTRUCTIONS SUIVANTES:

- Utiliser cet appareil uniquement dans les applications envisagées par le fabricant. Pour toute question, contacter le fabricant.
- Avant d'entreprendre un travail d'entretien ou de nettoyage, interrompre l'alimentation de la hotte au niveau du tableau de disjoncteurs, et verrouiller le tableau de disjoncteurs pour empêcher tout rétablissement accidentel de l'alimentation du circuit. Lorsqu'il n'est pas possible de verrouiller le tableau de disjoncteurs, placer sur le tableau de disjoncteurs une étiquette d'avertissement proéminente interdisant le rétablissement de l'alimentation.
- Tout travail d'installation ou câblage électrique doit être réalisé par une personne qualifiée, dans le respect des prescriptions de tous les codes et normes applicables, y compris les codes du bâtiment et de protection contre les incendies.
- Une source d'air de débit suffisant est nécessaire pour le fonctionnement correct de tout appareil à gaz (combustion et évacuation des gaz à combustion par la cheminée), pour qu'il n'y ait pas de reflux des gaz de combustion. Respecter les directives du fabricant de l'équipement de chauffage et les prescriptions des normes de sécurité - comme celles publiées par la National Fire Protection Association (NFPA) et l'American Society for Heating, Refrigeration and Air Conditioning Engineers (ASHRAE), et les prescriptions des autorités réglementaires locales.
- Lors d'opérations de découpage et de perçage dans un mur ou un plafond, veiller à ne pas endommager les câblages électriques ou canalisations qui peuvent s'y trouver.
- Les ventilateurs d'évacuation doivent toujours décharger l'air à l'extérieur.

⚠ ATTENTION

Cet appareil est conçu uniquement pour la ventilation générale. Ne pas l'utiliser pour l'extraction de matières ou vapeurs dangereuses ou explosives.

⚠ ATTENTION

Pour minimiser le risque d'incendie et évacuer adéquatement les gaz, veiller à acheminer l'air aspiré par un conduit jusqu'à l'extérieur - ne pas décharger l'air aspiré dans un espace vide du bâtiment comme une cavité murale, un plafond, un grenier, un vide sanitaire ou un garage.

⚠ AVERTISSEMENT

POUR RÉDUIRE LE RISQUE D'INCENDIE, UTILISER UNIQUEMENT DES CONDUITS MÉTALLIQUES.

⚠ AVERTISSEMENT

POUR MINIMISER LE RISQUE D'UN FEU DE GRAISSE SUR LA CUISINIÈRE:

- Ne jamais laisser un élément de surface fonctionner à puissance de chauffage maximale sans surveillance. Un renversement/débordement de matière grasseuse pourrait provoquer une inflammation et la génération de fumée. Utiliser une puissance de chauffage moyenne ou basse pour le chauffage d'huile.
- Veiller à toujours faire fonctionner le ventilateur de la hotte lors de la cuisson avec une puissance de chauffage élevée ou lors de la cuisson d'un mets à flamber (à savoir crêpes Suzette, cerise jubilee, steak au poivre flambé).
- Nettoyer fréquemment les ventilateurs d'extraction. Veiller à ne pas laisser la graisse s'accumuler sur les surfaces du ventilateur ou des filtres.
- Utiliser toujours un ustensile de taille appropriée. Utiliser toujours un ustensile adapté à la taille de l'élément chauffant.

⚠ AVERTISSEMENT

POUR RÉDUIRE LE RISQUE DE DOMMAGES CORPORELS APRÈS LE DÉCLENCHEMENT D'UN FEU DE GRAISSE SUR LA CUISINIÈRE, APPLIQUER LES RECOMMANDATIONS SUIVANTES:^a

- Placer sur le récipient un couvercle bien ajusté, une tôle à biscuits ou un plateau métallique POUR ÉTOUFFER LES FLAMMES, puis éteindre le brûleur. VEILLER À ÉVITER LES BRÛLURES. Si les flammes ne s'éteignent pas immédiatement, ÉVACUER LA PIÈCE ET APPELER LES POMPIERS.
- NE JAMAIS PRENDRE EN MAIN UN RÉCIPIENT ENFLAMMÉ - vous risquez de vous brûler.
- NE PAS UTILISER D'EAU, ni un torchon humide - ceci pourrait provoquer une explosion de vapeur brûlante.
- Utiliser un extincteur SEULEMENT si:
 - Il s'agit d'un extincteur de classe ABC, dont on connaît le fonctionnement.
 - Il s'agit d'un petit feu encore limité à l'endroit où il s'est déclaré.
 - Les pompiers ont été contactés.
 - Yll est possible de garder le dos orienté vers une sortie pendant l'opération de lutte contre le feu.

^aRecommandations tirées des conseils de sécurité en cas d'incendie de cuisine publiés par la NFPA.

⚠ AVERTISSEMENT

Pour réduire le risque d'incendie ou de choc électrique, ne pas utiliser ce ventilateur avec un quelconque dispositif de réglage de la vitesse à semi-conducteurs.

⚠ AVERTISSEMENT

Ne pas laisser les enfants à proximité de cet appareil. Ne laissez pas les enfants jouer avec cet appareil. Conservez tous les matériaux d'emballage hors de la portée des enfants.

Jetez les matériaux d'emballage après que cet appareil ait été déballé.

Lire et conserver ces Instructions

Exigences d'Installation

Spécifications Électriques

IMPORTANT

Observer les dispositions de tous les codes et règlements en vigueur.

Le client a la responsabilité de:

Contacteur un électricien-installateur.

Vérifier que l'installation électrique est adéquate et conforme avec le Code national de l'électricité, ANSI/NFPA 70 (la plus récente édition*), ou les normes C22.1-94, Code canadien de l'électricité, Partie 1 et C22.2 No.0-M91(La plus récente édition**) de la CSA, ainsi que tous les codes et les ordonnances de votre région.

Si le code le permet et que vous utilisez un fil de mise à la terre distinct, il est recommandé de faire vérifier le chemin du fil par un électricien.

Pour obtenir un exemplaire des normes des codes ci-dessus, contacter:

National Fire Protection Association
1 Batterymarch Park
Quincy, MA 02169-7471
CSA International
8501 East Pleasant Valley Road
Cleveland, OH 44131-5575

- L'appareil doit être alimenté par un circuit de 120 V CA seulement, 60 Hz, 15 ampères, protégé par fusible.
- If the house has aluminum wiring, follow the procedure below:
 1. Raccorder une section de câble en cuivre massif aux conducteurs en queue de cochon.
 2. Connecter le câblage en aluminium à la section ajoutée de câblage en cuivre en utilisant des connecteurs et/ou des outils spécialement conçus et homologués UL pour fixer le cuivre à l'aluminium.
- Suivre la procédure recommandée par le fabricant de connecteurs électriques. Les raccordements aluminium/ cuivre doivent satisfaire aux prescriptions des codes locaux et de l'industrie, et être conformes aux pratiques de câblage reconnues.
- Le calibre des conducteurs et les connexions doivent être compatibles avec les caractéristiques électriques de l'appareil spécifiées sur la plaque signalétique. La plaque signalétique de l'appareil est située derrière le filtre, sur la paroi arrière de la hotte.
- Le calibre des conducteurs doit être conforme aux exigences du National Electrical Code, de la plus récente édition de la norme ANSI/NFPA 70 ou des normes CSA C22. 1-94, Code canadien de l'électricité, partie 1 et C22.2 n° 0-M91 (édition la plus récente) et de tous les codes et règlements en vigueur.

Exigences Concernant l'évacuation (seulement pour un modèle avec décharge à l'extérieur)

- Le circuit d'évacuation doit décharger l'air à l'extérieur.
- Ne pas terminer le circuit d'évacuation dans un grenier ou dans un autre espace fermé.
- Ne pas utiliser une bouche de décharge murale de 4" (10,2 cm) normalement utilisée pour un équipement de buanderie.
- Utiliser uniquement des conduits métalliques. Des conduits en métal rigide sont recommandés. Ne pas utiliser de conduit de plastique ou en aluminium.
- La longueur du circuit d'évacuation et le nombre de coudes doivent être réduits au minimum pour fournir la meilleure performance.

Pour un fonctionnement efficace et silencieux:

- Ne pas utiliser plus de trois coudes à 90°.
- Veiller à ce qu'il y ait une section droite de conduit de 24" (61 cm) ou plus entre les coudes, si on doit utiliser plus d'un raccord coudé.
- Ne pas connecter 2 coudes ensemble.
- Au niveau de chaque jointure du circuit d'évacuation, assurer l'étanchéité avec les brides de serrage.
- Le circuit d'évacuation doit comporter un clapet antireflux.
- Si la bouche de décharge murale ou par le toit comporte un clapet, ne pas utiliser le clapet fourni avec la hotte d'extraction.
- Assurer l'étanchéité avec un composé de calfeutrage autour de la bouche de décharge à l'extérieur (mur ou toit).
- La taille du conduit doit être uniforme.

Méthodes d'évacuation

Cette hotte a été configurée à l'usine pour la décharge de l'air aspiré à travers le toit ou à travers un mur. Un circuit d'évacuation en conduit rond de 6" (15,2 cm) (non fourni) est nécessaire pour l'installation. La hotte comporte une ouverture de sortie de diamètre 6" (15,2 cm).

REMARQUE

On déconseille l'emploi de conduit flexible. Un conduit flexible peut causer une rétropression et des turbulences de l'air, ce qui réduit considérablement la performance. La sortie à l'extérieur du circuit d'évacuation peut se faire à travers le toit ou à travers un mur. Pour la sortie à travers un mur, on doit employer un raccord coudé (90°).

Hauteur de Montage

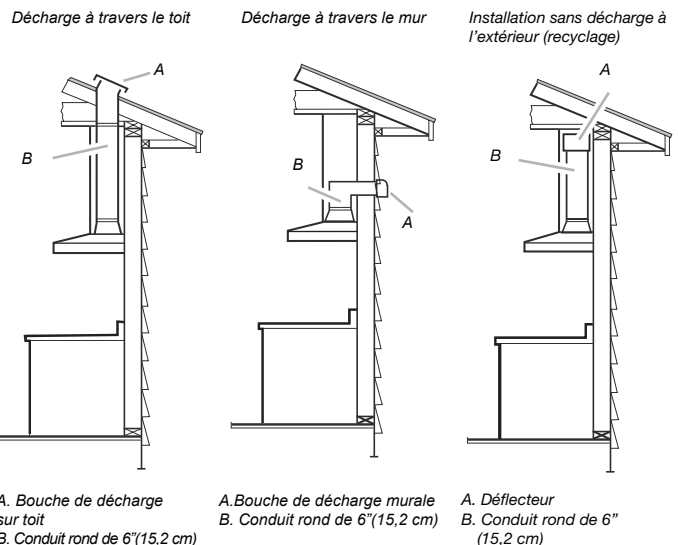
Sélectionner une hauteur de montage comprise entre un minimum de 24" (61 cm) pour une surface de cuisson électrique, un minimum de 30" (76,2 cm) pour une surface de cuisson au gaz et un maximum suggéré de 36" (91,4 cm) entre le dessus de la cuisinière et le bas de la hotte.

Décharge Par l'arrière

Le raccord coudé à 90° peut être installé immédiatement au-dessus de la hotte.

Installation sans décharge à l'extérieur (Recyclage)

S'il n'est pas possible d'évacuer les fumées et vapeurs de cuisson à l'extérieur, on peut employer la version installation sans décharge à l'extérieur (recyclage) de la hotte, dotée d'un filtre à charbon et du déflecteur. Les vapeurs/fumées sont alors recyclées à travers la grille supérieure.



Exigences d'Installation

Outils et Pièces

Enlever l'emballage




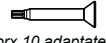

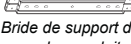
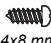
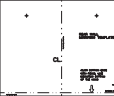
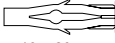
⚠ ATTENTION

Enlever délicatement le carton. Porter des gants pour se protéger des bords coupants.

⚠ AVERTISSEMENT

Enlever le film de protection recouvrant le produit avant de commencer l'opération.

- Hotte avec ventilateur et lampes DEL
- Conduit métallique rond de 6" (15.2 cm)
- Conduits de cheminée
- Kit quincaillerie comprenant:

Pièce	Quantité	Pièce	Quantité
 5x45 mm	6	 Vis 5,4x75 mm (10x60 mm chevilles)	4
 8x40 mm	2	 Torx 10 adaptateur	1
 3,5x9,5 mm	2	 Bride de support du cache-conduit	1
 4x8 mm	4	 Gabarit de montage	1
 10 x 60 mm	4		

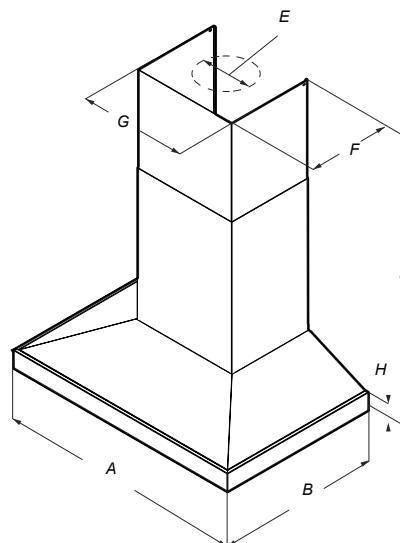
Outils nécessaires

- Niveau
- Perceuse avec forets de 1¼" (3,2 cm), ½" (3,2 mm), y ¼" (4,8 mm)
- Crayon
- Pince à dénuder ou couteau utilitaire
- Mètre-ruban ou règle
- Pince
- Pistolet à calfeutrage et composé de calfeutrage résistant aux intempéries
- Brides de conduit
- Scie sauteuse ou scie à guichet
- Tournevis à lame plate
- Cisaille de ferblantier
- Tournevis Phillips (Pozidrive) et tournevis Torx 20

Pièces nécessaires

- Câble d'alimentation électrique du domicile
- Serre-câble de ½" (12,7 mm) (homologation UL ou CSA)
- 2 connecteurs de fils homologués UL
- 1 bouche de décharge (décharge à travers le mur ou à travers le toit)
- Circuit d'évacuation métallique

Dimensions et Espaces



	NK30K7000WS/A2 NK30K7000WG/A2	NK36K7000WS/A2 NK36K7000WG/A2
A	30" (76 cm)	36" (91,2 cm)
B	19 1/16" (50 cm)	
C*	max. 39 9/16" (100,3 cm) min. 25 7/16" (64,5 cm)	
D**	max. 43 3/16" (110 cm) min. 29 3/16" (73,9 cm)	
E	6" (15,24 cm)	
F	10 10/16" (26,9 cm)	
G	13 1/16" (33,2 cm)	
H	2 3/8" (6 cm)	

*Pour les installations avec évacuation à l'extérieur

**Pour les installations sans évacuation à l'extérieur (recyclage)

Accessoires

Modèle	NK30K7000WS/A2 NK36K7000WS/A2	NK30K7000WG/A2 NK36K7000WG/A2
Accessoire d'extension	NK-AE705PWS/AA	NK-AE705PWG/AA
Accessoire recirculation	NK-AF030FNB/AA	
Filtre à charbon	NK-AR050FNB/AA	

Ordenez le kit nécessaire spécifiant votre modèle de hotte.

Installation de la Hotte

Instructions d'installation

Préparation de l'emplacement

- Il est recommandé d'installer le circuit d'évacuation avant de procéder à l'installation de la hotte.
 - Avant d'exécuter les découpages, vérifier la disponibilité d'un dégagement suffisant dans le plafond ou le mur pour le conduit d'évacuation.
 - Avant d'installer la hotte, mesurer la hauteur libre sous plafond et la hauteur maximum disponible sous la hotte.
1. Déconnecter la source de courant électrique.
 2. Déterminer la méthode d'évacuation à utiliser: décharge à travers le mur ou le toit, ou recyclage.
 3. Sélectionner une surface plane pour l'assemblage de la hotte. Placer le matériau de protection sur cette surface.

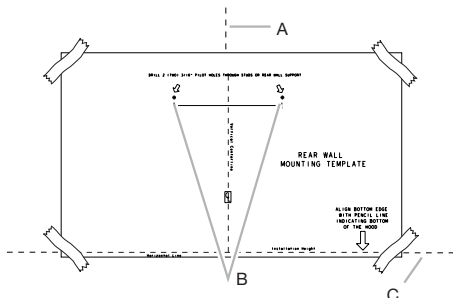
AVERTISSEMENT

POUR RÉDUIRE LE RISQUE D'INCENDIE, CHOC ÉLECTRIQUE OU DOMMAGES CORPORELS, RESPECTER LES INSTRUCTIONS SUIVANTES:

4. À l'aide de deux personnes ou plus, soulever la hotte et la poser sur la surface couverte.

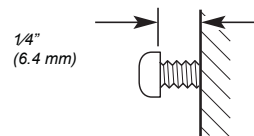
Installation des vis de montage de la hotte

1. Déterminer et marquer la position de l'axe central sur le mur où la hotte sera installée.
2. Sélectionner une hauteur de montage comprise entre un minimum de 24" (60,9 cm) pour une surface de cuisson électrique, un minimum de 30" (76,2 cm) pour une surface de cuisson au gaz et un maximum suggéré de 36" (91,4 cm) entre le dessus de la cuisinière et le bas de la hotte. Marquer la ligne de repérage sur le mur.
3. Fixer le gabarit en place avec du ruban adhésif; aligner l'axe central du gabarit et le bas du gabarit avec la ligne correspondant au bas de la hotte, et avec l'axe central déjà tracé sur le mur.



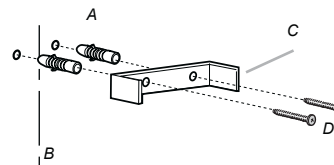
A. Centerline
B. Fastener locations
C. Mounting height reference (hood bottom line)

4. À l'aide du gabarit, marquer sur le mur le centre des attaches.
- IMPORTANT:** Toutes les vis de montage de la hotte en filot doivent être vissées dans du bois où cela est possible. Si l'on ne peut pas visser les vis de montage de la hotte dans du bois, des tasseaux supplémentaires pour accrochage mural seront peut-être nécessaires.
5. Retirer le gabarit.
 6. Pour bois, percer des avant-trous de $\frac{3}{16}$ " (4,8 mm) à tous les emplacements de pose des vis dans du bois.
 7. Pour bois, installer les 2 vis de montage de 5 x 45 mm. Laisser un espace de $\frac{1}{4}$ " (6,4 mm) entre le mur et l'arrière de la tête de vis pour faire glisser la hotte et la mettre en place.



Installation de la bride de cache-conduit

1. Fixer la bride de cache-conduit au mur en affleurement avec le plafond à l'aide de 2 vis Phillips n°2 de 5 x 45 mm.



A. 8 x 40 mm ancrages pour cloisons sèches
B. l'axe central sur le mur
C. Bride de support du cache-conduit
D. Vis 5 x 45 mm

Achever la Préparation

1. Déterminer et effectuer tous les découpages nécessaires dans le mur pour le passage du circuit d'évacuation. Installer le circuit d'évacuation avant la hotte. Voir la section "Exigences concernant l'évacuation".
2. Déterminer la hauteur appropriée pour le cordon d'alimentation du domicile et percer un trou de $1\frac{1}{4}$ " (3,2 cm) à cet endroit.
3. Acheminer le câble d'alimentation du domicile selon les prescriptions du Code national de l'électricité, des normes CSA et des codes et règlements locaux. Il faut que la longueur du conduit de $\frac{1}{2}$ " et des conducteurs soit suffisante depuis le tableau de distribution (avec fusibles ou disjoncteurs) pour réaliser le raccordement dans le boîtier de connexion de la hotte.

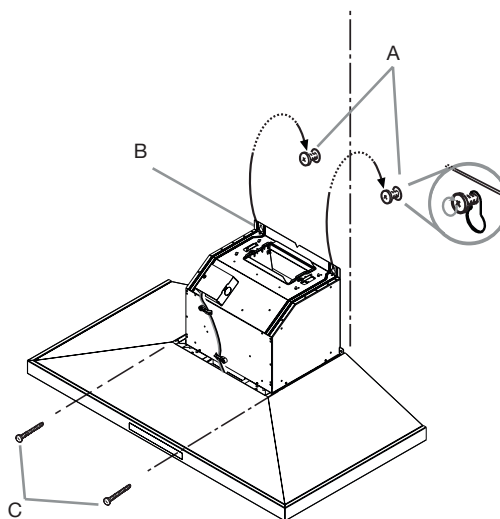
REMARQUE

Ne pas mettre le système sous tension avant d'avoir complètement terminé l'installation.

4. Utiliser un calfeutrant pour assurer l'étanchéité au niveau de chaque ouverture.

Installation de la Hotte

1. À deux personnes au moins, suspendre la hotte aux 2 crochets de montage, à travers les encoches de montage à l'arrière de la hotte.



A. Vis de montage
B. Encoches de montage
C. Vis de montage inférieures

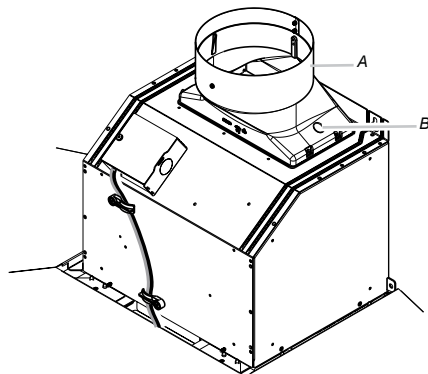
Installation de la Hotte

2. Mark avec un crayon les emplacements des trous inférieurs.
3. Désinstaller l'ensemble de la hotte et percer des trous pilotes de $\frac{3}{16}$ " (4,8 mm) aux emplacements marqués.
4. Remplacer le capot sur 2 haut les vis de montage.
5. Mettre la hotte de niveau et serrer les vis de montage supérieures.
6. Installer les 2 vis de montage Phillips n°2 inférieures de 5 x 45 mm et serrer. Utiliser les pièces d'ancrage mural facultatives si nécessaire.

Raccordement du circuit d'évacuation

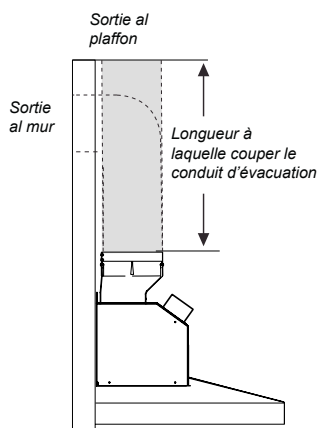
Cette hotte est compatible avec les installations ventilés seulement

1. Installer le raccord de transition au sommet de la hotte (s'il a été enlevé pour expédition), avec 2 vis de tôlerie T10 de 3,5 x 9,5 mm.



A. Raccord de transition
B. Vis 3.5 x 9.5 mm

2. Le circuit d'évacuation doit être installé par dessus la sortie d'évacuation.
3. Mesurer la distance entre le bas du déflecteur et le bas de la sortie de la hotte. Couper le conduit à la dimension mesurée.



4. Serrer le raccord avec des brides de serrage.
5. Vérifier que les clapets anti-retour fonctionnent correctement.

Connexion Électrique

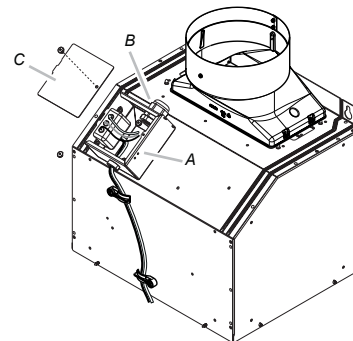
⚠ AVERTISSEMENT

Risque de Choc Électrique

Déconnecter la source de courant électrique avant l'entretien.

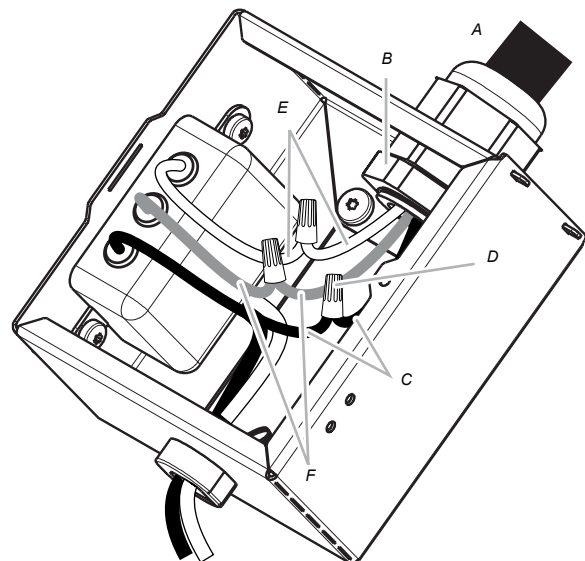
Replacer pièces et panneaux avant de faire la remise en marche. Le non-respect de ces instructions peut causer un décès ou un choc électrique.

1. Déconnecter la source de courant électrique.
2. Retirer le couvercle du boîtier de connexion.
3. Ôter l'opercule arrachable du boîtier de connexion et installer un serre-câble de $\frac{1}{2}$ " (homologation UL ou CSA).



A. Boîtier de connexion
B. Opercule arrachable
C. Couvercle du boîtier de connexion

4. Acheminer le cordon d'alimentation du domicile à travers le serre-câble, dans le boîtier de connexion.



A. Câble d'alimentation électrique du domicile
B. Serre-câble (homologation UL ou CSA)
C. Conducteurs noirs
D. Connecteurs de fils (homologation UL)
E. Conducteurs blancs
F. Conducteurs verts (ou nus) ou vert-jaune de liaison à la terre

5. Connecter ensemble les conducteurs noirs (C) à l'aide de connecteurs de fils (homologation UL).
6. Connecter ensemble les conducteurs blancs (E) à l'aide de connecteurs de fils (homologation UL).

⚠ AVERTISSEMENT

Risque de Choc Électrique

Déconnecter la source de courant électrique avant l'entretien
Replacer pièces et panneaux avant de faire la remise en marche. Le non-respect de ces instructions peut causer un décès ou un choc électrique.

7. À l'aide des connecteurs de fils (homologation UL), connecter le conducteur de liaison à la terre (vert ou nu) du câble d'alimentation du domicile au conducteur vertjaune de liaison à la terre (F) dans le boîtier de connexion.
8. Serrer la vis du serre-câble.
9. Installer le couvercle du boîtier de connexion.
10. Reconnecter la source de courant électrique.

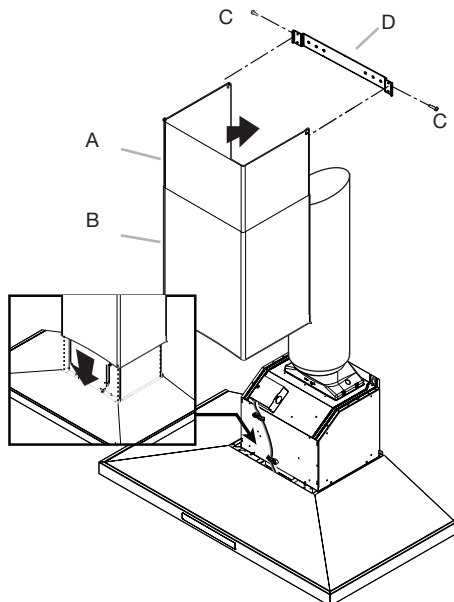
Installation de la Hotte

Installation des Cache-conduits

En cas d'utilisation des sections supérieure et inférieure du cache-conduit, pousser la section inférieure vers le bas, sur la hotte et soulever la section supérieure vers le plafond et installer avec 2 vis de montage.

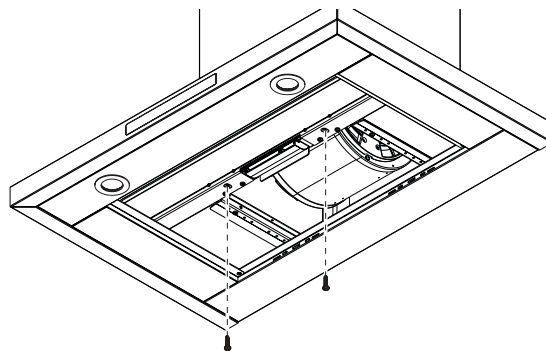
REMARQUE

Le cache-conduit supérieur peut être inversé pour dissimuler les fentes.



A. Supérieure du cache-conduit
B. Inférieure du cache-conduit
C. Vis de 4,2 x 8 mm
D. Support

Fixer le fond du conduit avec 2 - vis 4 x 8 mm.



Achever l'installation

Seulement pour installation sans décharge à l'extérieur (recyclage)
Installez des filtres à charbon sur les grilles del ventilateur. Voir la section "Entretien de la hotte".

1. Installer des filtres à graisse métallique. Voir la section "Entretien de la hotte".
2. Contrôler le fonctionnement de la hotte et de la lampe du ventilateur. Voir la section "Utilisation de la hotte".

REMARQUE

Pour pouvoir tirer le plus grand parti de la nouvelle hotte de cuisinière, lire la section "Utilisation de la hotte".

Filtre a Charbon

S'il n'est pas possible d'évacuer les fumées et vapeurs de cuisson à l'extérieur, on peut employer la version installation sans décharge à l'extérieur (recyclage) de la hotte, dotée d'un filtre à charbon et du déflecteur. Les vapeurs/fumées sont alors recyclées à travers la grille supérieure.

REMARQUE

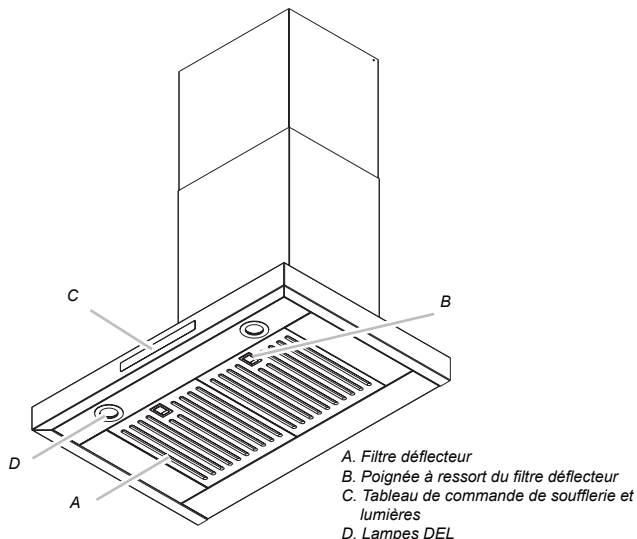
Pour réduire le risque d'incendie et de choc électrique, utilisez uniquement le filtre à charbon **NK-AR050FNB/AA**.

Ils doivent être commandés auprès de votre fournisseur ou du Centre de Service Samsung. Commandez le kit nécessaire spécifiant votre modèle et la largeur de votre hotte.

Utilisation de la Hotte

Description de la Hotte

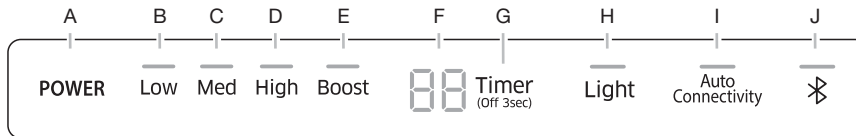
La hotte de cuisinière est conçue pour extraire fumée, vapeurs de cuisson et odeurs de la zone de la table de cuisson. Pour obtenir les meilleurs résultats, mettre le ventilateur de la hotte en marche avant d'entreprendre une cuisson, et laisser le ventilateur fonctionner pendant plusieurs minutes après l'achèvement d'une cuisson pour pouvoir évacuer de la cuisine toute trace d'odeur de cuisson ou fumée. Les commandes de la hotte sont situées à l'avant de celle-ci.



A. Filtre déflecteur
B. Poignée à ressort du filtre déflecteur
C. Tableau de commande de soufflerie et lumières
D. Lampes DEL

Utilisation de la Hotte

Commandes de la Hotte



- A. Mise en marche
- B. Vitesse Basse
- C. Vitesse moyenne
- D. Vitesse Haute
- E. Accélérateur
- F. Display del minuteur
- G. Minuteur
- H. Lumière
- I. Auto connectivité
- J. Bluetooth

MISE EN MARCHÉ (POWER)

- Appuyez sur le bouton POWER et la hotte sera activé en cas de défaut vitesse (vitesse par défaut : LOW).
- Appuyez à nouveau et la hotte sera de nouveau en mode veille.

FAIBLE (LOW)

- Appuyez sur le bouton LOW et la hotte sera activée à une vitesse lente.

MOYENNE (MED)

- Appuyez sur le bouton MED et la hotte sera activée à une vitesse moyenne.

HAUTE (HIGH)

- Appuyez sur le bouton HIGH et la hotte sera activée à haute vitesse.

ACCELERATEUR (BOOST)

- Appuyez sur le bouton BOOST et la hotte sera activée à la vitesse maximale pendant 10 minutes.
- Après 10 minutes, la hotte va ralentir et va se repositionner sur la vitesse haute.
- Normal mode:**
High et Boost CFM sont égale (390CFM).
- Power mode:**
Le mode High est de 390 CFM et le mode Boost est de 600 CFM. Veuillez vous reporter à Conversion CFM.

Affichage du minuteur

- Affiche les réglages de la minuterie.

Minuteur

Régler la minuterie ON

- Appuyez sur le bouton de la minuterie pour entrer les données du temps de travail.
 - Chaque fois que vous appuyez sur la minuterie, vous ajoutez 10 minutes à l'heure affichée, jusqu'à un maximum de 99 minutes. La hotte restera allumée pendant la durée du temps que vous aurez défini. Après avoir programmé le temps, la minuterie LED commencera à clignoter.
 - Après que la minuterie est fait son compte à rebours jusqu'à zéro, la minuterie LED commencera à clignoter.
 - La LED minuterie clignotera pendant 5 secondes, puis la hotte s'éteindra automatiquement.

Régler la minuterie OFF

- Appuyez sur le bouton de la minuterie pendant 3 secondes et la fonction Timer sera désactivée.

Lumière

- Appuyez sur le bouton d'éclairage et les lampes s'allumeront.
- Appuyez sur le bouton d'éclairage à nouveau et les lampes s'éteindront.

Sonne

Activer / désactiver la hotte

- Appuyez et maintenez enfoncé le bouton d'éclairage pendant 3 secondes pour désactiver la sonne de la hotte.
- Appuyez à nouveau pour réactiver.

✂ Synchroniser avec la connexion Bluetooth

- Appuyez sur le bouton Bluetooth qui se trouve sur la hotte. Le mode de synchronisation sera activé et l'indicateur sur le bouton Bluetooth clignotera.
- Appuyez sur le bouton Bluetooth sur la table de cuisson.

📖 REMARQUE

Pour toutes informations sur la méthode d'appariement détaillée avec la table de cuisson, s'il vous plaît se référer au mode d'emploi de la table de cuisson.

- Après que le processus de synchronisation se termine, les lumières Bluetooth et le parole des deux appareils resteront allumées.

✂ Comment Déconnecter (désynchroniser) Bluetooth

- Appuyez et maintenez pendant 3 secondes la touche Bluetooth de la hotte.
- La connexion Bluetooth sera déconnectée.

CONNEXION PLAQUE DE CUISSON / HOTTE

Cet appareil dispose d'une fonction qui vous permet de connecter (jumeler) les plaques de cuisson Samsung avec votre hotte via Bluetooth.

Après avoir activé cette fonction et jumeler votre hotte avec une table de cuisson compatible, le ventilateur de la hotte se mettra automatiquement à basse vitesse lorsque vous mettrez un élément sur la table de cuisson. Le ventilateur de la hotte sera également éteint automatiquement lorsque vous éteindrez les éléments de la table de cuisson.

De plus, après que la hotte et la table de cuisson compatibles aient été synchronisés, vous pouvez télécharger l'application Samsung Smart Home app sur un appareil mobile, puis utiliser cette application Samsung Smart Home app pour:

- Surveiller et contrôler le statut marche/arrêt de la hotte.
- Surveiller et contrôler la vitesse du ventilateur.
- Surveiller et contrôler les lumières.
- Régler la minuterie d'arrêt de la hotte avec l'alarme de fin.

Pour plus d'informations sur le téléchargement de Samsung Smart Home app sur votre appareil mobile, et pour savoir comment contrôler votre hotte, visitez www.samsung.com.

La Connection automatique




La fonction de connexion automatique vous permet de connecter rapidement la hotte via Bluetooth avec une table de cuisson Samsung compatible une fois que la hotte et la table de cuisson aient été synchronisées. Pour activer la fonction, appuyez sur le bouton Auto Connectivity pour activer la fonction hors tension et débranchez la hotte et la table de cuisson, appuyez à nouveau sur le bouton Auto Connectivity.

Pendant que la hotte et la table de cuisson sont connectées, le ventilateur de la hotte se mettra automatiquement à vitesse lente (basse) lorsque vous mettrez un élément en marche sur la table de cuisson. Le ventilateur de la hotte sera également éteint automatiquement lorsque vous éteindrez les éléments de la table de cuisson.

Utilisation de la Hotte

Vous serez également en mesure de contrôler la hotte avec l'application Samsung Smart Home app comme décrit ci-dessus:

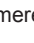

1. Appuyez sur le bouton Auto Connectivity pour activer la fonction.
2. La hotte fonctionnera automatiquement lorsque vous allumerez la table de cuisson.
3. Appuyez à nouveau pour désactiver la fonction.

Image	Prise de contrôle à distance par Samsung Smart Home app	Auto Connexion	Fonction de la Hotte
	X	X	O
	O	X	O
	O	O	O

REMARQUE

Seul le Bluetooth disponible de la table de cuisson de la marque Samsung peut utiliser cette fonction.

Conversion de Performance (CFM)

- Appuyez et maintenez enfoncée les boutons HIGH et BOOST pendant 3 secondes pour convertir les performances du ventilateur.
- Mode Normal:  apparaît à l'écran. La hotte fonctionnera normalement (Max 390 CFM).
- Mode Power:  apparaît à l'écran. La hotte fonctionnera avec plus de force (Max 600 CFM).

ATTENTION

- Ne pas activer cette fonction sans personnel qualifié. L'installateur est responsable de veiller à ce que la hotte répond avec les spécifications d'installation pour ce produit indiqué. Pour activer le Mode Power, le système d'air d'appoint doit être installé

Makeup Air

- Lors de l'utilisation des systèmes CFM de supérieures à celles spécifiées, vérifier les codes locaux depuis que la construction pourrait nécessiter un système d'air d'appoint. Consulter un professionnel de HVAC pour les besoins spécifiques de votre localité, car ceux-ci peuvent varier.
- Consulter un professionnel de HVAC pour sélectionner la hotte avec la capacité de CFM correcte pour votre application. La capacité de CFM dépend de la classification de BTU del poêle, la taille et l'emplacement, la taille de la cuisine et les conduits de la hotte.

Entretien de la Hotte

Nettoyage

IMPORTANT: Nettoyer fréquemment la hotte et les filtres à graisse en suivant les instructions suivantes. Réinstaller les filtres à graisse avant de faire fonctionner la hotte.

Surfaces Externes:

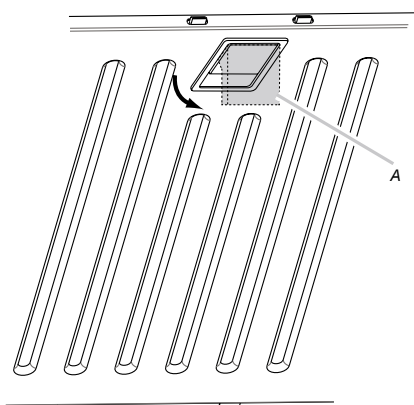
Afin d'éviter d'endommager la surface externe, ne pas utiliser de tampons en laine d'acier ou de tampons à récurer savonneux. Toujours essuyer pour éviter de laisser des marques d'eau.

Méthode de Nettoyage:

- Savon détergent liquide et eau, ou produit de nettoyage polyvalent.
- Frotter avec un chiffon doux humide ou une éponge non abrasive, puis rincer avec de l'eau propre et essuyer.
- Ne pas utiliser des produits de nettoyage contenant du chlore.

Filtre déflecteur d'acier inoxydable:

1. Retirez le filtre en tirant sur la poignée ressort de déclenchement, puis un tirant vers le bas le filtre.



A. Poignée à ressort

2. Laver le filtre déflecteur d'acier inoxydable selon le besoin au lave-vaisselle ou avec une solution de détergent chaude.
3. Réinstaller le filtre en s'assurant que les poignées à ressort sont orientées vers l'avant. Insérer le filtre d'acier dans la rainure supérieure.
4. Tirer sur la poignée à ressort. Pousser le filtre vers le haut et relâcher la poignée pour l'emboîter.

AVERTISSEMENT

Lors du retrait du filtre, s'il vous plaît le tenir avec les deux mains pour vous assurer qu'il ne tombe pas.

Remplacement de la Lampe à DEL

Les lumières DEL sont remplaçables par un technicien de service seulement. Voir les informations de contact de service à la page de Garantie.

Remplacer le filtre à charbon

Après un an d'utilisation, le filtre à charbon doit être remplacé par un nouveau, car la capacité de réduction des odeurs sera réduite.

REMARQUE

Les filtres à charbon ne sont pas inclus avec la hotte. Ils doivent être commandés auprès de votre fournisseur ou du centre de service Samsung. Commandez le kit nécessaire en spécifiant le modèle et la largeur de votre hotte.

HOTTE SAMSUNG

Garantie limitée à l'acheteur d'origine

Ce produit de la marque SAMSUNG, qui est fourni et distribué par la société Samsung Electronics America, Inc. (SAMSUNG) et livré neuf, dans son carton d'origine à l'acheteur d'origine, est garanti par Samsung contre les défauts de fabrication à la fois dans les matériaux et de fabrication pour une période de garantie limitée de:

UN (1) AN PIECES ET MAIN D'ŒUVRE

Cette garantie limitée commence à la date d'achat originale, et est valable uniquement sur les produits achetés et utilisés aux Etats-Unis. Afin de bénéficier du service de garantie, l'acheteur doit contacter SAMSUNG pour la détermination du problème et connaître les procédures de service. Le service garantie ne peut être effectué que par un centre de service SAMSUNG agréé. Le projet de loi original date de vente doit être présenté sur demande comme preuve d'achat à SAMSUNG ou dans un centre de service SAMSUNG autorisé.

SAMSUNG réparera ou remplacera ce produit, à notre gré et sans frais comme stipulé ici, avec des pièces ou des produits neufs ou reconditionnés si ils sont jugés défectueux pendant la période de garantie limitée spécifiée ci-dessus. Toutes les pièces et les produits remplacés deviennent la propriété de SAMSUNG et doivent être retournés à SAMSUNG. Les pièces et produits de rechange reprennent la garantie d'origine ou quatre-vingt-dix (90) jours, la plus longue des deux étant la valable.

Le service à domicile sera assuré pendant la période de travail de garantie sous réserve de disponibilité dans les Etats-Unis. Le service à domicile n'est pas disponible dans tous les domaines. Pour recevoir le service à domicile, le produit doit être non bloqué et accessible au personnel. Si au cours de la réparation à domicile cela ne peut être possible, il peut être nécessaire d'enlever, réparer et de retourner (renvoyer) le produit.

Cette garantie limitée couvre les défauts de fabrication des matériaux et de fabrication rencontrés dans l'utilisation non commerciale normale de ce produit et ne sont pas applicables à celui-ci, y compris, mais pas limiter : aux dommages qui se produisent lors de l'expédition ; la livraison et l'installation ; les applications et utilisations pour lesquelles ce produit n'est pas prévu : modifie les produits ou numéros de série ; les dommages esthétiques ou finition extérieure ; accidents ; abus ; négligences ; le feu ; l'eau ; la foudre ; et d'autres actes qui émanent de la nature ; utilisation des produits, équipements, systèmes, services publics, services, pièces, fournitures, accessoires, applications, installations, réparations, câblage externe ou connecteurs non fournis ou autorisés par SAMSUNG qui endommagent ce produit ou peut entraîner des problèmes d'utilisation ; incorrecte tension de la ligne électrique, les fluctuations et les surtensions ; ajustement fait par les clients et le non-respect des instructions d'utilisation, le nettoyage, l'entretien, et les instructions de l'environnement qui sont couverts et prescrits dans le livre d'instruction ; les problèmes causés par les infestations de ravageurs, et la surchauffe par l'utilisateur.

IL N'Y A AUCUNE GARANTIE EXPRESSE AUTRE QUE CELLE FIGURANT CI-DESSUS ET AUCUNE GARANTIE EXPLICITE OU IMPLICITE, Y COMPRIS, MAIS PAS LIMITER, TOUTE GARANTIE IMPLICITE DE QUALITE MARCHANDE OU D'ADAPTATION A UN USAGE PARTICULIER, SONT APPLICABLES APRES LA PERIODE EXPRESSE DE GARANTIE DONNEE PAR TOUTE PERSONNE ENTREPRISE OU SOCIETE EN MATIERE DE CE PRODUIT EST OBLIGATOIRE SUR SAMSUNG. SAMSUNG NE SERA PAS RESPONSABLE POUR LA PERTE DE REVENUS OU DE PROFITS DEFAUT DE REALISER DES ECONOMIES OU AUTRES AVANTAGES OU TOUT AUTRE DOMMAGES SPECIAUX, DIRECTS OU INDIRECTS CAUSES PAR L'UTILISATION, MAUVAISE UTILISATION OU L'INCAPACITE D'UTILISER CE PRODUIT QUELLE QUE SOIT LA THEORIE JURIDIQUE SUR LAQUELLE LA RECLAMATION REPOSE, ET MEME SI SAMSUNG A ETE AVERTI DE LA POSSIBILITE DE TELS DOMMAGES. NI DE RECUPERATION DE QUELQUE NATURE QUE CONTRE SAMSUNG NE SERA SUPERIEUR AU MONTANT DU PRIX D'ACHAT DU PRODUIT VENDU PAR SAMSUNG ET CAUSER LE DOMMAGE ALLEGUE. SANS LIMITER CE QUI PRECEDE, L'ACHETEUR ASSUME TOUS LES RISQUES ET RESPONSABILITES POUR LES PERTES, DOMMAGES OU BLESSURES POUR L'ACHETEUR ET LES BIENS DE L'ACHETEUR ET AUX AUTRES ET DE LEURS BIENS PROVENANT DE L'UTILISATION MAUVAISE UTILISATION OU L'INCAPACITE D'UTILISER CE PRODUIT VENDU PAR SAMSUNG QUI NE SOIT PAS DIRECTEMENT CAUSES PAR LA NEGLIGENCE DE SAMSUNG. CETTE GARANTIE LIMITEE NE S'ETEND A PERSONNE D'AUTRE QUE L'ACHETEUR D'ORIGINE DE CE PRODUIT ET EST NON TRANSFERABLE ET EST VOTRE RECOURS EXCLUSIF.

Certaines provinces ou territoires peuvent ou peuvent ne pas permettre de limiter la durée d'une garantie implicite ou l'exclusion ou la limitation des dommages indirects ou consécutifs, les limitations ou exclusions ci-dessus peuvent ne pas vous concerner. Cette garantie vous donne des droits spécifiques légaux, et vous pouvez avoir d'autres droits qui varient d'un Etat à l'autre.

Pour obtenir un service de garantie, s'il vous plaît contactez SAMSUNG à:

1-800-SAMSUNG (726-7864) ou
www.samsung.com/us/support

HOTTE SAMSUNG

Garantie limitée à l'acheteur d'origine

Ce produit de la marque SAMSUNG, qui est fourni et distribué par la société Samsung Electronics Canada, Inc. (SAMSUNG) et livré neuf, dans son carton d'origine à l'acheteur d'origine, est garanti par Samsung contre les défauts de fabrication à la fois dans les matériaux et de fabrication pour une période de garantie limitée de:

UN (1) AN PIECES ET MAIN D'ŒUVRE

Cette garantie limitée commence à la date d'achat originale, et est valable uniquement sur les produits achetés et utilisés aux Canada. Afin de bénéficier du service de garantie, l'acheteur doit contacter SAMSUNG pour la détermination du problème et connaître les procédures de service. Le service garantie ne peut être effectué que par un centre de service SAMSUNG agréé. Le projet de loi original date de vente doit être présenté sur demande comme preuve d'achat à SAMSUNG ou dans un centre de service SAMSUNG autorisé.

SAMSUNG réparera ou remplacera ce produit, à notre gré et sans frais comme stipulé ici, avec des pièces ou des produits neufs ou reconditionnés si ils sont jugés défectueux pendant la période de garantie limitée spécifiée ci-dessus. Toutes les pièces et les produits remplacés deviennent la propriété de SAMSUNG et doivent être retournés à SAMSUNG. Les pièces et produits de rechange reprennent la garantie d'origine ou quatre-vingt-dix (90) jours, la plus longue des deux étant la valable.

Le service à domicile sera assuré pendant la période de travail de garantie sous réserve de disponibilité dans Canada. Le service à domicile n'est pas disponible dans tous les domaines. Pour recevoir le service à domicile, le produit doit être non bloqué et accessible au personnel. Si au cours de la réparation à domicile cela ne peut être possible, il peut être nécessaire d'enlever, réparer et de retourner (renvoyer) le produit.

Cette garantie limitée couvre les défauts de fabrication des matériaux et de fabrication rencontrés dans l'utilisation non commerciale normale de ce produit et ne sont pas applicables à celui-ci, y compris, mais pas limiter : aux dommages qui se produisent lors de l'expédition ; la livraison et l'installation ; les applications et utilisations pour lesquelles ce produit n'est pas prévu : modifie les produits ou numéros de série ; les dommages esthétiques ou finition extérieure ; accidents ; abus ; négligences ; le feu ; l'eau ; la foudre ; et d'autres actes qui émanent de la nature ; utilisation des produits, équipements, systèmes, services publics, services, pièces, fournitures, accessoires, applications, installations, réparations, câblage externe ou connecteurs non fournis ou autorisés par SAMSUNG qui endommagent ce produit ou peut entraîner des problèmes d'utilisation ; incorrecte tension de la ligne électrique, les fluctuations et les surtensions ; ajustement fait par les clients et le non-respect des instructions d'utilisation, le nettoyage, l'entretien, et les instructions de l'environnement qui sont couverts et prescrits dans le livre d'instruction ; les problèmes causés par les infestations de ravageurs, et

la surchauffe par l'utilisateur. SAMSUNG ne garantit pas l'utilisation ininterrompue ou l'opération erronée du produit.

IL N'Y A AUCUNE GARANTIE EXPRESSE AUTRE QUE CELLE FIGURANT CI-DESSUS ET AUCUNE GARANTIE EXPLICITE OU IMPLICITE, Y COMPRIS, MAIS PAS LIMITER, TOUTE GARANTIE IMPLICITE DE QUALITE MARCHANDE OU D'ADAPTATION A UN USAGE PARTICULIER, SONT APPLICABLES APRES LA PERIODE EXPRESSE DE GARANTIE DONNEE PAR TOUTE PERSONNE ENTREPRISE OU SOCIETE EN MATIERE DE CE PRODUIT EST OBLIGATOIRE SUR SAMSUNG. SAMSUNG NE SERA PAS RESPONSABLE POUR LA PERTE DE REVENUS OU DE PROFITS DEFAUT DE REALISER DES ECONOMIES OU AUTRES AVANTAGES OU TOUT AUTRE DOMMAGES SPECIAUX, DIRECTS OU INDIRECTS CAUSES PAR L'UTILISATION, MAUVAISE UTILISATION OU L'INCAPACITE D'UTILISER CE PRODUIT QUELLE QUE SOIT LA THEORIE JURIDIQUE SUR LAQUELLE LA RECLAMATION REPOSE, ET MEME SI SAMSUNG A ETE AVERTI DE LA POSSIBILITE DE TELS DOMMAGES. NI DE RECUPERATION DE QUELQUE NATURE QUE CONTRE SAMSUNG NE SERA SUPERIEUR AU MONTANT DU PRIX D'ACHAT DU PRODUIT VENDU PAR SAMSUNG ET CAUSER LE DOMMAGE ALLEGUE. SANS LIMITER CE QUI PRECEDE, L'ACHETEUR ASSUME TOUS LES RISQUES ET RESPONSABILITES POUR LES PERTES, DOMMAGES OU BLESSURES POUR L'ACHETEUR ET LES BIENS DE L'ACHETEUR ET AUX AUTRES ET DE LEURS BIENS PROVENANT DE L'UTILISATION MAUVAISE UTILISATION OU L'INCAPACITE D'UTILISER CE PRODUIT VENDU PAR SAMSUNG QUI NE SOIT PAS DIRECTEMENT CAUSES PAR LA NEGLIGENCE DE SAMSUNG. CETTE GARANTIE LIMITEE NE S'ETEND A PERSONNE D'AUTRE QUE L'ACHETEUR D'ORIGINE DE CE PRODUIT ET EST NON TRANSFERABLE ET EST VOTRE RECOURS EXCLUSIF.

Certaines provinces ou territoires peuvent ou peuvent ne pas permettre de limiter la durée d'une garantie implicite ou l'exclusion ou la limitation des dommages indirects ou consécutifs, les limitations ou exclusions ci-dessus peuvent ne pas vous concerner. Cette garantie vous donne des droits spécifiques légaux, et vous pouvez avoir d'autres droits qui varient d'un Etat à l'autre.

Pour obtenir un service de garantie, s'il vous plaît contactez SAMSUNG à:

1-800-SAMSUNG (726-7864) ou
www.samsung.com/us/support (Anglais),
www.samsung.com/ca_fr/support (Français)

Índice

Instrucciones Importantes de Seguridad	27
Requisitos de Instalación	29
Requisitos Eléctricos	29
Requisitos de Ventilación	29
Métodos de Ventilación	29
Herramientas y Piezas	30
Dimensiones y Espacios Libres	30
Instalación de la Campana	31
Preparación de la Ubicación	31
Instalación del Soporte de la Cubierta del Ducto	31
Instalación de la Campana	31
Conexión del Sistema de Ventilación	32
Conexión Eléctrica	32
Instalación de las Cubiertas del Ducto	33
Complete la Instalación	33
Uso de la Campana	33
Descripción de la Campana	33
Controles de la Campana	34
Conectividad con la Estufa / Campana	34
Cuidado de la Campana	35
Filtro deflector de acero inoxidable	35
Limpieza	35
Reemplazar la Lámpara LED	35
Garantía (USA)	36
Garantía (Canadá)	37

Instrucciones Importantes de Seguridad

**APROBADO PARA APARATOS DE USO DOMÉSTICO
SÓLO PARA USO DOMÉSTICO
LEA Y GUARDE ESTAS INSTRUCCIONES**

**ANTES DE CONTINUAR, LEA LAS INSTRUCCIONES POR COMPLETO.
LA INSTALACIÓN DEBE CUMPLIR CON TODA LA NORMATIVA LOCAL.**

- IMPORTANTE:** Guarde estas instrucciones para su uso por parte del inspector de electricidad local.
- INSTALADOR:** Entregue al propietario estas instrucciones con la unidad.
- PROPIETARIO:** Conserve estas instrucciones para futuras consultas.

Símbolos utilizados en este manual

ADVERTENCIA

Riesgos o prácticas inseguras que pueden resultar en serios daños personales o la muerte.

PRECAUCIÓN

Riesgos o prácticas inseguras que pueden resultar en choques eléctricos, daños personales o daño a la propiedad.

NOTA

Tips e instrucciones útiles.

Estos iconos de advertencia y símbolos están aquí para prevenir de daños a usted y los suyos. Favor de seguir las instrucciones al pie de la letra. Después de leer esta sección, guarde este documento en un lugar seguro para futuras referencias.

ADVERTENCIA

Desconecte el aparato de la corriente y bloquee el panel antes de llevar a cabo la conexión de este aparato.

Requisito: Circuito Auxiliar de R120 VAC, 60 Hz. 15 ó 20 A

Proposición 65 del estado de California (sólo US)

ADVERTENCIA

Este producto contiene químicos conocidos en el estado de California que causan cáncer y defectos de nacimiento u otros daños reproductivos.

1. Aviso FCC

PRECAUCIÓN

Cualquier cambio o modificaciones no aprobadas expresamente por la parte responsable por el cumplimiento puede anular la autoridad del usuario de operar el equipo.

Este dispositivo cumple con la Parte 15 de las reglas FCC. La operación del dispositivo está sujeta a las siguientes 2 condiciones:

- 1) Este dispositivo no debe de causar interferencia dañina, y
- 2) Este dispositivo debe aceptar ninguna interferencia que pueda causar un funcionamiento no deseado.

Para productos vendidos en los mercados Estadounidense y Canadiense, sólo los canales 1~11 están disponibles. Usted no puede seleccionar otros canales.

Declaración de la FCC:

Este equipo ha sido comprobado y se determinó que cumple con los límites de dispositivo digital Clase B, de acuerdo con la Parte 15 de las Reglas de la FCC. Estos límites están diseñados para proporcionar una protección razonable contra las interferencias perjudiciales en una instalación residencial. Este equipo genera, utiliza y puede irradiar energía de radio frecuencia y, si no se instala y utiliza siguiendo las instrucciones, puede causar interferencias perjudiciales a las comunicaciones de radio. Sin embargo, no se puede garantizar que la interferencia no ocurrirá en una instalación en particular. En el caso de que el equipo causara interferencias perjudiciales con la recepción de radio o TV, que se pueden detectar encendiendo o apagando el equipo en cuestión, se sugiere que el usuario tome una o más de las siguientes medidas para corregir las interferencias:

- Cambiar la orientación o ubicación de la antena de recepción
- Aumentar la separación entre el equipo y el receptor
- Conectar el equipo a una toma de corriente que se encuentre en un circuito distinto al que está conectado el receptor
- Consultar a un vendedor o técnico experimentado de radio/TV para obtener ayuda.

Declaración de Exposición a la radiación de la FCC:

Este equipo cumple con los límites para exposición a la radiación establecidos por la FCC para ambientes no controlados. Para instalarlo y manejarlo el usuario debe encontrarse a una distancia mínima de 20 centímetros del aparato emisor de la radiación. Este dispositivo y su antena no deben de estar colocados o ser operados en conjunto con ninguna otra antena o transmisor.

2. Declaración de la IC

El término "IC" antes el número de radio certificación, sólo significa que son conocidas las especificaciones técnicas de la industria de Canadá. La operación del dispositivo está sujeta a las siguientes 2 condiciones: 1) Este dispositivo no debe de causar interferencia, y 2) Este dispositivo debe aceptar ninguna interferencia que pueda causar un funcionamiento no deseado.

Este aparato digital de clase B cumple con el ICES-003 canadiense. Para productos vendidos en los mercados Estadounidense y Canadiense, sólo los canales 1~11 están disponibles. Usted no puede seleccionar otros canales.

Declaración de exposición a la radiación de la IC:

Este equipo cumple con los límites para exposición a la radiación establecidos por la IC RSS-102 para ambientes no controlados. Para instalarlo y manejarlo el usuario debe encontrarse a una distancia mínima de 20 centímetros del aparato emisor de la radiación. Este dispositivo y su antena no deben de estar colocados o ser operados en conjunto con ninguna otra antena o transmisor.

Instrucciones Importantes de Seguridad

⚠️ ADVERTENCIA

PARA REDUCIR EL RIESGO DE INCENDIOS, CHOQUE ELÉCTRICO O LESIONES A PERSONAS, OBSERVE LO SIGUIENTE:

- Use esta unidad sólo de la manera para la que fue diseñada por el fabricante. Si tiene preguntas, póngase en contacto con el fabricante.
- Antes de dar servicio o limpiar la unidad, apague el suministro de energía en el panel de servicio y bloquee los medios de desconexión del servicio para evitar que se encienda accidentalmente el suministro de energía. Cuando el medio de desconexión del servicio no se pueda bloquear, sujete de manera segura un dispositivo de advertencia prominente, como podría ser una etiqueta, al panel de servicio.
- La instalación y el cableado se debe llevar a cabo por una persona(s) calificada(s), de acuerdo con los códigos y estándares aplicables, incluida la construcción ignífuga.
- Es necesaria una ventilación suficiente para la correcta combustión y expulsión de gases por la salida de humos (chimenea) del equipo de combustión de carburante para evitar el contratiro. Siga las directrices de fabricantes de equipos de calefacción y los estándares de seguridad como los publicados por la National Fire Protection Association (NFPA), American Society for Heating, Refrigeration and Air Conditioning Engineers (ASHRAE) y las normativas locales.
- Al efectuar orificios en una pared o techo, no dañe el cableado eléctrico y otras instalaciones ocultas.
- Los conductos deben tener ventilación con salida al exterior.

⚠️ PRECAUCIÓN

Para usarse sólo en ventilación común. No lo use para ventilar materiales y vapores peligrosos o explosivos.

⚠️ PRECAUCIÓN

Para reducir el riesgo de incendio y para ventilar el aire adecuadamente, asegúrese de dirigir el conducto de ventilación hacia el exterior - no ventile el aire de salida a espacios dentro de paredes o techos, áticos, espacios angostos o garajes.

⚠️ ADVERTENCIA

PARA REDUCIR EL RIESGO DE INCENDIO, SÓLO USE CONDUCTOS METÁLICOS.

⚠️ ADVERTENCIA

PARA REDUCIR EL RIESGO DE INCENDIO PROVOCADO POR GRASA EN LA SUPERFICIE DE LA ESTUFA:

- Nunca deje las unidades de superficie sin vigilancia cuando estén en ajustes altos. La cocción puede causar humo o reboses de grasa que pueden prender fuego. Caliente el aceite a fuego lento o medio.

- Siempre ENCIENDA la campana cuando cocine con calor alto o cuando flamee alimentos (por ejemplo, crepes Suzette, cerezas Jubileo y flameado de carne de res con pimienta).
- Limpie los ventiladores con frecuencia. No permita que la grasa se acumule en el ventilador o en el filtro.
- Use un tamaño de sartén adecuado. Siempre use utensilios de cocción que sean los adecuados para el tamaño del elemento de la superficie.

⚠️ ADVERTENCIA

PARA REDUCIR EL RIESGO DE LESIONES A PERSONAS SI SE PRENDE FUEGO EN LA SUPERFICIE DE LA ESTUFA OCASIONADO POR GRASA, OBSERVE LO SIGUIENTE:^a

- EXTINGA LAS LLAMAS con una tapa que encaje bien, una bandeja para galletas o una bandeja metálica y luego apague el quemador. TENGA CUIDADO PARA EVITAR QUEMADURAS. Si las llamas no se extinguen de inmediato, EVACUE Y LLAME AL DEPARTAMENTO DE BOMBEROS.
- NUNCA TOME UNA CACEROLA QUE ESTÉ ARDIENDO - podría quemarse.
- NO UTILICE AGUA, incluyendo paños para vajilla o toallas mojadas - podría ocurrir una explosión de vapor violenta.
- SÓLO use un extinguidor si:
 - Sabe a ciencia cierta que tiene un extinguidor de clase ABC y ya sabe cómo utilizarlo.
 - El incendio es pequeño y se encuentra contenido en el lugar en donde se inició.
 - Ha llamado al departamento de bomberos.
 - Puede apagar el fuego con su espalda mirando hacia una salida.

^aBasado en "Consejos de seguridad para fuegos de cocina" publicado por NFPA.

⚠️ ADVERTENCIA

Para reducir el riesgo de incendio o descarga eléctrica, no use este ventilador con ningún dispositivo de control de velocidad de estado sólido.

⚠️ ADVERTENCIA

No deje a los niños cerca de este electrodoméstico. No deje a los niños jugar con este electrodoméstico. Mantenga todos los materiales de empaque fuera del alcance de los niños. Disponga apropiadamente de los materiales de empaque después de que haya desempacado este electrodoméstico.

Lea y guarde estas Instrucciones

Requisitos de Instalación

Requisitos Eléctricos

IMPORTANTE

Observe todos los códigos y reglamentos aplicables.

Es la responsabilidad del propietario:

Contactar un instalador eléctrico calificado.

Asegurarse de que la instalación eléctrica es adecuada y en conformidad con National Electrical Code, ANSI/NFPA 70 — última edición* o CSA Standards C22.1-94, Canadian Electrical Code, Parte 1 y C22.2 No.0-M91 — última edición** y toda la normativa y las ordenanzas locales.

Si la normativa lo permite y se utiliza un cable de toma a tierra independiente, se recomienda que un electricista calificado determine si la difracción de onda de tierra es la adecuada.

Una copia de las normas que se mencionaron anteriormente, se pueden obtener de:

National Fire Protection Association
1 Batterymarch Park
Quincy, MA 02169-7471
CSA International
8501 East Pleasant Valley Road
Cleveland, OH 44131-5575

- Se necesita un circuito eléctrico de 120 voltios, 60 hertzios, CA solamente, de 15 amperios y protegido con fusibles.
- Si la casa tiene cableado de aluminio, siga el procedimiento a continuación:
 1. Conecte una sección de alambre de cobre sólido a los conductores flexibles.
 2. Conecte el cableado de aluminio a la sección añadida de alambre de cobre usando conectores especiales y/o herramientas diseñadas y de la lista de UL para unir el cobre al aluminio.
- Siga el procedimiento recomendado por el fabricante del conector eléctrico. La conexión de cobre/aluminio deberá hacerse en conformidad con los códigos locales y las prácticas de cableado aceptadas por la industria.
- Los tamaños de los cables y las conexiones deben cumplir de acuerdo con la clasificación del electrodoméstico, como se especifica en la placa de clasificación del modelo/de la serie. La placa del modelo/de la serie está ubicada detrás del filtro, en la pared posterior de la campana para cocina.
- El tamaño de los cables debe cumplir con los requisitos del National Electrical Code (Código Nacional Eléctrico), ANSI/ NFPA 70 (última edición) o las normas de CSA C22. 1-94 Canadian Electrical Code (Código Canadiense de Electricidad), Parte 1 y C22.2 N° 0-M91 (última edición), y todos los códigos y ordenanzas locales.

Requisitos de Ventilación (Sólo para modelos con salida de aire al exterior)

- El sistema de ventilación debe terminar en el exterior.
- No dirija la salida del sistema de ventilación hacia el desván u otra área cerrada.
- No utilice una cubierta de pared de tipo para lavandería de 4" (10,2 cm).
- Utilice ducto de escape de metal únicamente. Se recomienda un ducto de escape de metal rígido. No se recomienda ducto de escape de plástico u hoja metálica.
- El largo del sistema de ventilación y el número de codos se deben mantener al mínimo para proveer un funcionamiento eficaz.

Para obtener el funcionamiento más eficaz y silencioso:

- No use más de 3 codos de 90°.
- Asegúrese de que haya un mínimo de 24" (61 cm) de ducto de escape recto entre los codos, si se utiliza más de 1 codo.
- No instale 2 codos lado a lado.
- Use abrazaderas para sellar todas las juntas en el sistema de ventilación.
- El sistema de ventilación debe tener una compuerta. Si la cubierta del techo o la pared tiene una compuerta, no use la compuerta provista con la campana de cocina.
- Utilice masilla de calafateo para sellar la abertura exterior de la pared o el techo alrededor de la cubierta.
- El tamaño del ducto de escape debe ser uniforme.

Métodos de Ventilación

Esta campana con escudete se ha ajustado de fábrica para tener una ventilación a través del techo o de la pared. Se requiere un sistema de ventilación redondo de 6" (15,2 cm) para la instalación (no incluido). La abertura de ventilación de la campana es redonda, de 6" (15,2 cm).

NOTA

No se recomienda el uso de ductos de escape flexibles. Los ductos de escape flexibles crean contrapresión y turbulencia de aire, lo cual reduce el desempeño en gran medida. El sistema de ventilación debe terminar a través del techo o la pared. Para colocar el ducto a través de la pared, se necesita un codo de 90°.

Altura de Montaje

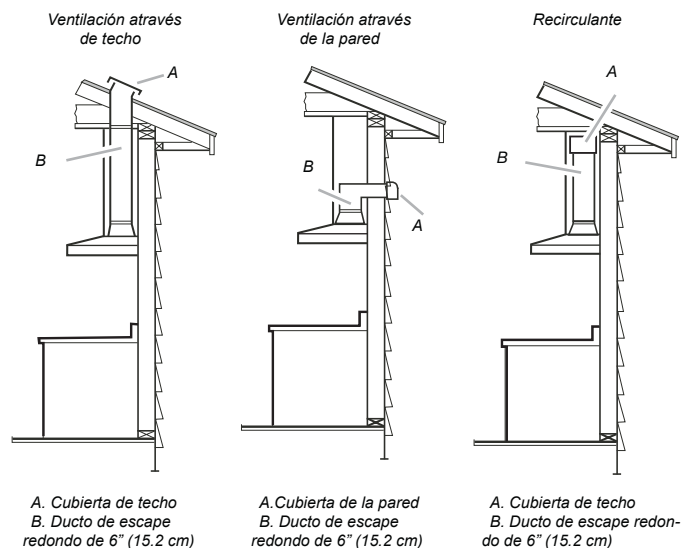
Seleccione una altura de montaje entre un mínimo de 24" (61 cm) para una superficie de cocción eléctrica, un mínimo de 30" (76.2 cm) para una superficie de cocción a gas y un máximo sugerido de 36" (91.4 cm) por encima de la estufa hasta la parte inferior de la campana.

Descarga Posterior

Se puede instalar un codo de 90° justo arriba de la campana.

Para Instalaciones Recirculantes

Si no es posible expulsar los humos de cocina y vapores al exterior, la campana puede ser usada en su versión recirculante instalando un filtro de carbón y un deflector. Los humos y vapores son filtrados y el aire limpio sale por las rejillas superiores de los cubreductos.



Requisitos de Instalación

Herramientas y Piezas

Piezas suministradas
Retirar las piezas del empaque


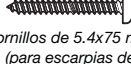
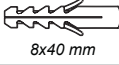

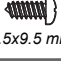
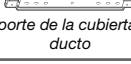


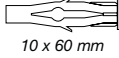
⚠ PRECAUCIÓN

Quite la caja cuidadosamente. Use guantes para protegerse contra los bordes afilados.

⚠ ADVERTENCIA

Quite la película de protección que cubre el producto antes de ponerlo en funcionamiento.

- Ensamblaje del escudete para campana con ventilador y lámparas LED previamente instalados
- Ducto de escape redondo de metal de 6" (15.2 cm)
- Cubiertas para ducto
- Bolsa plástica con el siguiente contenido:

Pieza	Cantidad	Pieza	Cantidad
 5x45 mm	6	 Tornillos de 5.4x75 mm (para escarpas de 10x60 mm)	4
 8x40 mm	2	 Adaptador Torx 10	1
 3.5x9.5 mm	2	 Soporte de la cubierta del ducto	1
 4x8 mm	4	 Plantilla de montaje	1
 10 x 60 mm	4		

Herramientas/Materiales requeridos

- Nivel
- Taladro con brocas de 1¼" (3.2 cm), ½" (3.2 mm), y ¼" (4,8 mm)
- Lápiz
- Pelacables o cuchillo de uso general
- Cinta de medir o regla
- Pinzas
- Pistola para calafateo y masilla para calafateo a prueba de agua
- Abrazaderas para ducto de ventilación
- Sierra de vaivén o sierra caladora
- Destornillador de hoja plana
- Tijeras de hojalatero
- Destornillador Phillips y Torx 20

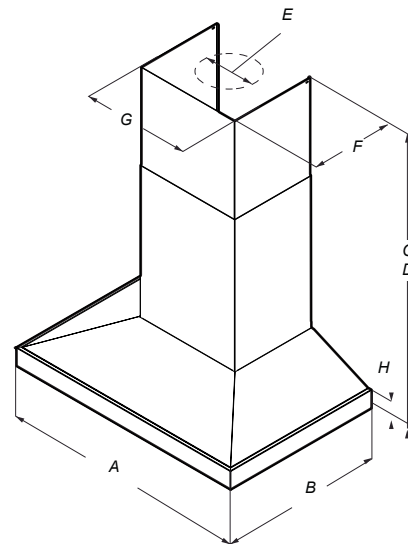
Piezas necesarias

- Cable de suministro eléctrico doméstico
- Protector de cables de ½" (12.7 mm) que esté en la lista de UL o aprobado por CSA
- 3 conectores para cables que estén en la lista de UL

Para instalaciones con ducto de escape, también necesitará:

- 1 cubierta para pared o techo
- Sistema de ventilación metálico

Dimensiones y Espacios Libres



	NK30K7000WS/A2 NK30K7000WG/A2	NK36K7000WS/A2 NK36K7000WG/A2
A	30" (76 cm)	36" (91.2 cm)
B	19 ¹¹ / ₁₆ " (50 cm)	
C*	máx. 39 ⁹ / ₁₆ " (100.3 cm) mín. 25 ⁷ / ₁₆ " (64.5 cm)	
D**	máx. 43 ³ / ₁₆ " (110 cm) mín. 29 ³ / ₁₆ " (73.9 cm)	
E	6" (15.24 cm)	
F	10 ¹⁹ / ₁₆ " (26.9 cm)	
G	13 ¹ / ₁₆ " (33.2 cm)	
H	2 ³ / ₈ " (6 cm)	

*Para instalaciones con ducto de escape

**Para instalaciones recirculantes

Accesorios

Modelo	NK30K7000WS/A2 NK36K7000WS/A2	NK30K7000WG/A2 NK36K7000WG/A2
Kit de extensión	NK-AE705PWS/AA	NK-AE705PWG/AA
Kit de recirculación	NK-AF030FNB/AA	
Kit de filtro de carbón	NK-AR050FNB/AA	

Instalación de la Campana

Instrucciones de Instalación

Preparación de la Ubicación

- Se recomienda que el sistema de ventilación sea instalado antes de que se instale la campana.
 - Antes de hacer los recortes, asegúrese que haya suficiente espacio libre dentro del techo o la pared para el ducto de escape.
 - Revise la altura de su techo y la altura máxima de la campana antes de seleccionarla.
1. Desconecte el suministro de energía.
 2. Decida qué método de ventilación usar: a través del techo o de la pared.
 3. Seleccione una superficie plana para ensamblar la campana para cocina. Cubra dicha superficie.

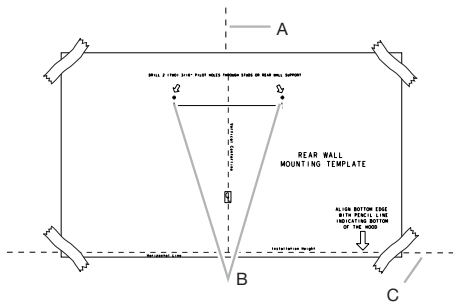
⚠ ADVERTENCIA

PARA REDUCIR RIESGO DE INCENDIO, CHOQUE ELÉCTRICO O LESIONES A PERSONAS, OBSERVE LO SIGUIENTE:

4. Con la ayuda de 2 ó más personas, levante la campana de cocina y colóquela en la superficie cubierta.

Instalación de los tornillos de montaje de la campana

1. Determine y marque la línea central en la pared en donde se instalará la campana con escudete. Desconecte el suministro de energía.
2. Seleccione una altura de montaje entre un mínimo de 24" (61 cm) para una superficie de cocción eléctrica, un mínimo de 30" (76.2 cm) para una superficie de cocción a gas y un máximo sugerido de 36" (91.4 cm) por encima de la estufa hasta la base de la campana. Marque una línea de referencia en la pared.
3. Pegue la plantilla con cinta adhesiva en su lugar, alineando la línea central y la parte inferior de la misma con la línea de la base de la campana y con la línea central marcada en la pared.

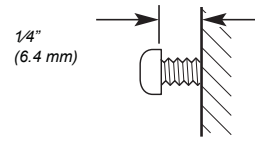


- A. Línea central
- B. Ubicaciones para el ajustador
- C. Referencia para la altura de montaje (línea de la base de la campana)

4. Marque los centros de las ubicaciones de los ajustadores a través de la plantilla en la pared.

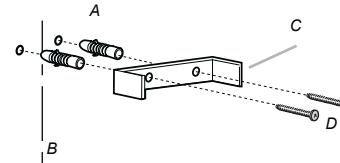
IMPORTANTE: Todos los tornillos de montaje de la campana deben instalarse en madera donde sea posible. Si no hay madera para instalar tornillos, es posible que se requieran soportes de marco de madera adicionales.

5. Retire la plantilla.
6. Taladre orificios piloto de $\frac{3}{16}$ " (4.8 mm) en todas las ubicaciones donde se vayan a instalar los tornillos en madera.
7. Instale los 2 tornillos de montaje de 5 x 45 mm. Deje un espacio de $\frac{1}{4}$ " (6.4 mm) entre la pared y la parte posterior de la cabeza del tornillo para deslizar la campana de cocina en su lugar.



Instalación del soporte de la cubierta del ducto

1. Sujete el soporte de la cubierta del ducto a la pared alineado con el techo usando 2 tornillos de 5x45 mm.



- A. Taquetes de 8 x 40 mm
- B. Línea central en la pared
- C. Soporte de la cubierta del ducto
- D. Tornillos de 5 x 45 mm

Complete la Operación

1. Determine y haga todos los cortes necesarios en la pared para el sistema de ventilación. Instale el sistema de ventilación antes de instalar la campana. Vea la sección "Requisitos de ventilación".
2. Determine la altura necesaria para el cable de suministro eléctrico de la casa y taladre un orificio de $1\frac{1}{4}$ " (3.2 cm) en esa ubicación.
3. Haga pasar el cable de suministro de energía de la casa según las normas del National Electrical Code (Código Nacional eléctrico) o CSA (Asociación de normalización Canadiense) y los códigos y ordenanzas locales. Debe haber suficiente conducto de $\frac{1}{2}$ " y alambres de la caja de desconexión con fusible (o cortacircuitos) para hacer la conexión en la caja eléctrica de terminales de la campana.

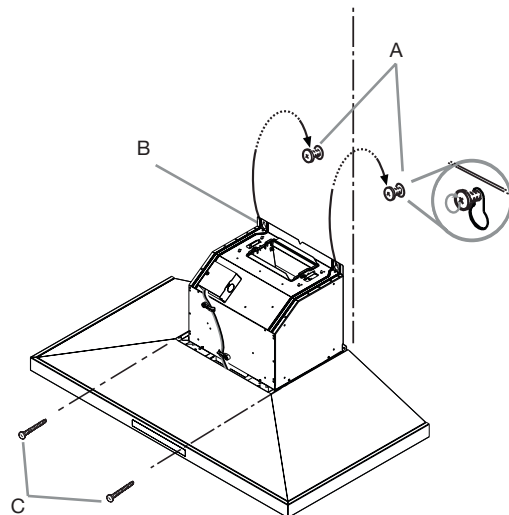
📄 NOTA

No restablezca la electricidad hasta que se complete la instalación.

4. Use masilla de calafateo para sellar todas las aberturas.

Instalación de la Campana

1. Con la ayuda de dos ó más personas, cuelgue la campana para cocina sobre 2 tornillos de montaje a través de las ranuras de montaje que están sobre la parte posterior de la campana.



- A. Tornillos de montaje
- B. Ranuras de montaje
- C. Tornillos de montaje inferiores

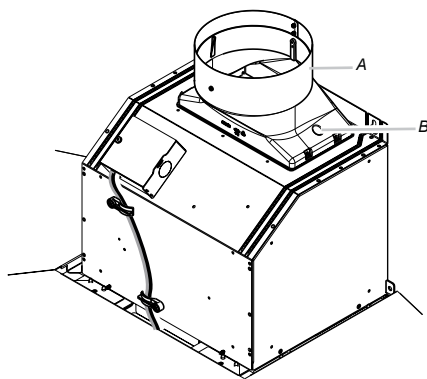
Instalación de la Campana

2. Señale con un lápiz las ubicaciones de los agujeros inferiores.
3. Desinstale el ensamblaje de la campana y taladre orificios piloto de $\frac{3}{16}$ " (4.8 mm) en las ubicaciones marcadas.
4. Coloque de nuevo la campana de cocina en 2 tornillos de montaje superiores.
5. Nivele la campana para cocina y apriete los tornillos de montaje superiores.
6. Instale 2 tornillos de montaje inferiores de 5 x 45 mm y apriételos. Use los taquetes de pared optativos si es necesario.

Conexión del Sistema de Ventilación

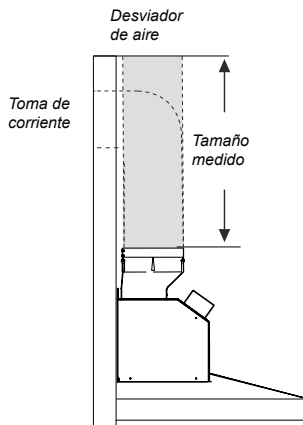
Esta campana es compatible solamente para instalaciones aspirantes.

1. Instale la pieza de transición encima de la campana (si se ha quitado para el envío) con 2 tornillos para lámina metálica de 3,5 x 9,5 mm.



A. Transición del ducto
B. Tornillo de 3.5 x 9.5 mm

2. Haga encajar el sistema del ducto de escape sobre la salida de escape.
3. Mida desde la parte inferior del desviador de aire hasta la parte inferior de la salida de la campana. Corte el ducto al tamaño medido.



4. Selle la conexión con las abrazaderas.
5. Verifique que las compuertas de contratiro funcionen adecuadamente.

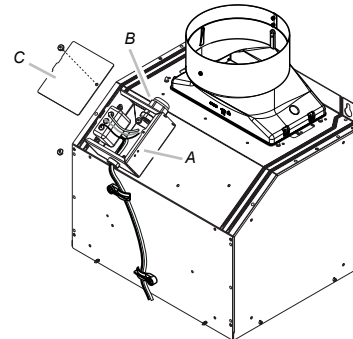
Conexión Eléctrica

⚠ ADVERTENCIA

Peligro de Choque Eléctrico

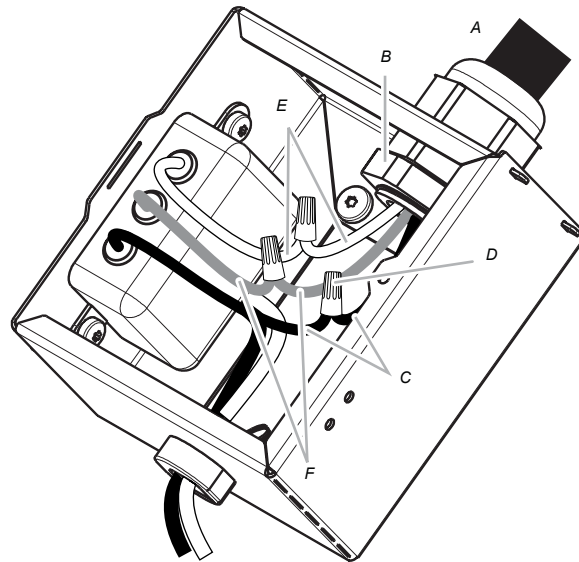
Desconecte el suministro de energía antes de darle mantenimiento. Vuelva a colocar todos los componentes y paneles antes de hacerlo funcionar. No seguir estas instrucciones puede ocasionar la muerte o choque eléctrico.

1. Desconecte el suministro de energía.
2. Retire la caja de terminales.
3. Quite el disco removible que está en la caja de terminales e instale un protector de cables de $\frac{1}{2}$ " que esté en la lista de UL o esté aprobado por CSA.



A. Caja de terminales
B. Disco removible
C. Cubierta de la caja de terminales

4. Haga pasar el cableado de suministro de energía doméstico a través del protector de cables, dentro de la caja de terminales.



A. Cable de suministro de energía doméstico
B. Protector de cables que esté en la lista de UL o aprobado por CSA
C. Alambres negros
D. Conectores de alambres aprobados por UL
E. Alambres blancos
F. Alambres verdes (o desnudos) y amarillos - verdes de puesta a tierra

5. Use conectores de alambres que estén en la lista de UL y conecte los alambres negros (C) juntos.
6. Use conectores de alambres que estén en la lista de UL y conecte los alambres blancos (E) juntos.

⚠ ADVERTENCIA

Peligro de Choque Eléctrico

Conecte el soplador a tierra.

Conecte el alambre de tierra al alambre verde y amarillo de conexión a tierra en la caja de terminales. No seguir estas instrucciones puede ocasionar la muerte o choque eléctrico.

7. Conecte el alambre verde (o desnudo) de puesta a tierra del suministro de energía doméstico al alambre amarillo - verde de puesta a tierra (F) en la caja de terminales usando conectores de alambres que estén en la lista de UL.

Instalación de la Campana

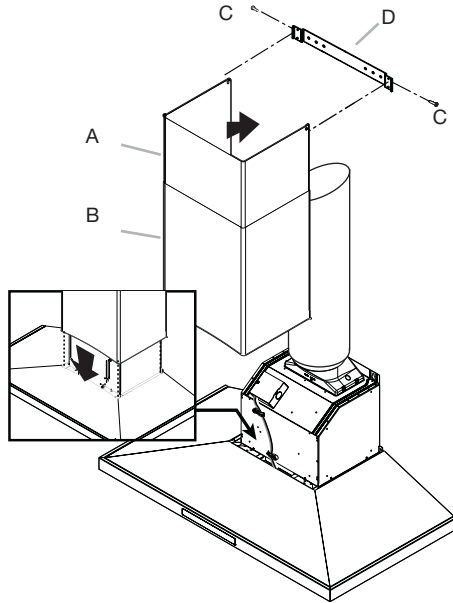
8. Apriete el tornillo del protector de cables.
9. Instale la cubierta de la caja de terminales.
10. Reconecte el suministro de energía.

Instalación de las cubiertas del ducto

Cuando use ambas cubiertas del ducto de escape (superior e inferior), empuje la cubierta inferior hacia abajo, sobre la campana y levante la cubierta superior hacia el techo e instale con 2 tornillos de montaje.

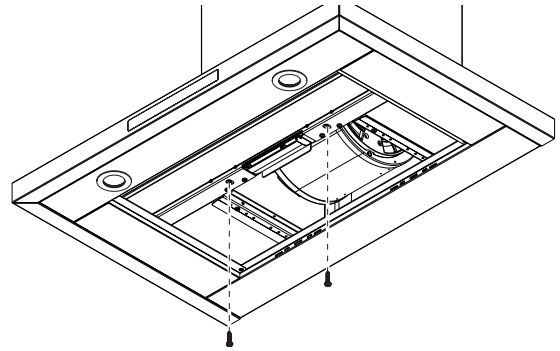
NOTA

La cubierta superior del ducto puede invertirse para ocultar las ranuras.



A. Cubierta del ducto superior
B. Cubierta del ducto inferior
C. Tornillos de 4.2 x 8 mm
D. Soporte

Fije la parte inferior del conducto con 2 tornillos de 4 x 8 mm.



Complete la Instalación

Sólo para instalaciones Recirculantes

Instale los filtros de carbón sobre las rejillas del motor. Consulte la sección "Cuidado de la campana para cocina".

1. Instale los filtros de grasa. Consulte la sección "Cuidado de la campana para cocina".
2. Verifique el funcionamiento del motor de la campana para cocina y la luz. Consulte la sección "Uso de la campana para cocina".

NOTA

Para obtener un uso más eficaz de su nueva campana de cocina, lea la sección "Uso de la campana para cocina".

Filtro de Carbón

Si este modelo no expulsará el aire hacia el exterior, este debe ser recirculado a través de filtros de carbón desechables que ayudarán a remover el humo y los olores. Los filtros de carbón deben ser sujetos al marco del motor.

NOTA

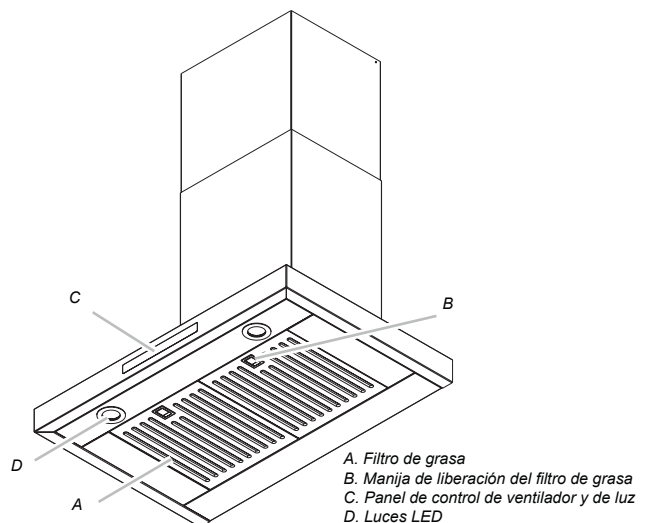
Para reducir el riesgo de incendio y choque eléctrico use sólo los filtros de carbón **NK-AR050FNB/AA**.

Los filtros de carbón no están incluidos en su campana. Deben ser ordenados a su proveedor o al Centro de Servicio Samsung. Ordene el kit necesario especificando el modelo y ancho de su campana.

Uso de la campana de cocina

Descripción de la Campana

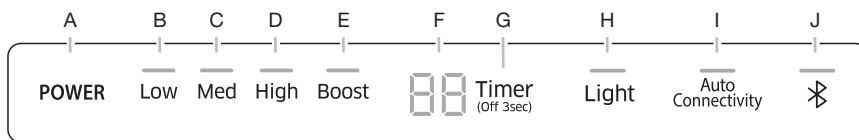
La campana para cocina se ha diseñado para remover humo, vapores provenientes de la cocción y olores del área de la superficie de cocción. Para obtener mejores resultados, encienda la campana antes de cocinar y permita que funcione por varios minutos después de haber cocinado, para que quite todo el humo y los olores de la cocina. Los controles de la campana están ubicados en la parte frontal.



A. Filtro de grasa
B. Manija de liberación del filtro de grasa
C. Panel de control de ventilador y de luz
D. Luces LED

Uso de la Campana

Controles de la Campana



- A. Encendido
- B. Velocidad baja
- C. Velocidad media
- D. Velocidad alta
- E. Aumentar velocidad
- F. Monitor del Temporizador
- G. Temporizador
- C. Luces
- D. Auto Conectividad
- E. Bluetooth

Encendido (Power)

- Presione el botón power y la campana se activará en la velocidad predeterminada (Velocidad predeterminada: Velocidad baja).
- Presione otra vez y la campana regresará al modo reposo.

Velocidad Baja (Low)

- Presione el botón LOW y la campana será activada en la velocidad baja.

Velocidad Media (Med)

- Presione el botón MEDIUM y la campana será activada en la velocidad media.

Velocidad Alta (High)

- Presione el botón HIGH y la campana será activada en la velocidad alta.

Aumentar Velocidad (Boost)

- Presione el botón BOOST y la campana será activada en la velocidad Máxima por 10 minutos.
- Después de 10 minutos, la velocidad descenderá a alta.
- **Modo Normal:**
High y Boost CFM tienen el mismo nivel de absorción (390CFM).
- **Modo Power:**
La velocidad High es de 390 CFM y Boost es de 600 CFM. Favor de referirse a la instrucción Conversión de Desempeño.

Monitor del Temporizador

- Muestra la configuración del Timer.

Temporizador (Timer)

Habilitar la función Temporizador

- Presione el botón Temporizador para configurar el tiempo de función.
 - Cada vez que presione el botón Temporizador, usted agregará 10 minutos al tiempo hasta llegar a 99 minutos. La campana permanecerá funcionando por la cantidad de tiempo que usted haya seleccionado. Una vez que el tiempo haya sido seleccionado, la luz LED del botón empezará a parpadear.
 - Después de que la cuenta del Timer llegue a cero, la luz LED del timer comenzará a parpadear por 5 segundos, y después la campana se apagará automáticamente.

Inhabilitar el Temporizador

- Presione el botón Timer por 3 segundos y la función Timer será desactivada.

Luces (Light)

- Presione el botón Light y las lámparas se encenderán.
- Presione el botón Light nuevamente y las lámparas se apagarán.

Sonido

Silenciar / Activar sonidos de la campana

- Presione y sostenga el botón Light por 3 segundos para desactivar los sonidos de la campana.
- Presione nuevamente para encender los sonidos.

Conexión Bluetooth (Parear dispositivos)

1. Presione el botón de Bluetooth en la campana. El modo de pareo será activado y el indicador en el botón bluetooth empezará a parpadear.
2. Presione el botón de Bluetooth de la parrilla.

NOTA

Para un método más detallado acerca de como parear su campana con la parrilla, por favor consulte el manual de usuario de la parrilla.

3. Después de que el proceso de pareamiento termine, las luces del Bluetooth de ambos dispositivos permanecerán encendidas y las letras BT aparecerán en el monitor.

Desconexión del Pareamiento Bluetooth (reiniciar)

1. Presione y sostenga el botón de Bluetooth de la campana por 3 segundos.
2. La conexión bluetooth será desconectada.

Conectividad Parrilla / Campana

Este dispositivo tiene una característica que le permite sincronizarse con parrillas Samsung compatibles vía Bluetooth.

Después de que habilite esta función y sincronice su campana con la parrilla compatible, el motor de la campana se encenderá automáticamente a Velocidad Baja cuando encienda la parrilla. La campana también se apagará automáticamente cuando apague su parrilla.

Además, después de que la campana y la parrilla sean sincronizadas, puede bajar la aplicación Samsung Smart Home a su dispositivo móvil, y utilizar dicha aplicación para:

- Monitorear y controlar el estado Encendido/Apagado de su campana.
- Monitorear y controlar la velocidad del motor.
- Monitorear y controlar las luces.
- Configurar el temporizador de apagado.

Para más información acerca de cómo bajar la aplicación Samsung Smart Home a su dispositivo móvil y usarlo para controlar su campana, visite www.samsung.com.

Auto Conectividad

La función de Auto Conectividad le permite conectar rápidamente su campana con una parrilla Samsung compatible después de que ambos aparatos hayan sido pareados. Para encender la función, presione el botón de Auto Conectividad. Para apagar la función y desconectar la campana y la parrilla, presione nuevamente el botón de Auto Conectividad. Mientras la campana y la parrilla estén conectadas, el motor de la campana se encenderá automáticamente a Velocidad Baja cuando usted encienda la parrilla. La campana también se apagará automáticamente cuando usted apague la parrilla. También será capaz de controlar la campana con la aplicación Samsung Smart Home como se describe en las instrucciones anteriores.

1. Presione el botón de Auto Conectividad para activar la función.
2. La campana operará automáticamente cuando encienda la parrilla.
3. Presione una vez más para desactivar la función.

Imagen	Control Remoto de Samsung Smart Home App	Auto Conectividad	Función de la campana
	X	X	O
	O	X	O
	O	O	O

NOTA

Sólo las parrillas disponibles de la marca Samsung pueden utilizar esta función.

Uso de la Campana

Conversión de Desempeño (CFM)

- Presione y sostenga los botones HIGH y BOOST por 3 segundos para cambiar el desempeño del motor.
- Modo Normal: El número 40 aparecerá en el display. El motor funcionará normalmente (Debajo de 390 CFM's).
- Modo Potente: El número 60 aparecerá en el display. El motor funcionará con mayor potencia (Max 600 CFM).

⚠ PRECAUCIÓN

- No active esta función sin una persona calificada. Recomendamos que un técnico calificado instale su campana. Es responsabilidad del instalador asegurar que la campana cumpla con las especificaciones de instalación señaladas para este producto. Para activar el Modo Potente, el sistema Make-up air debe estar instalado

Makeup Air

- Cuando utilice sistemas de ventilación con extracción de CFM's mayores a los especificados, revise los códigos locales de construcción ya que podrían requerir un sistema Make-up air. Consulte a un profesional HVAC para requerimientos específicos en su localidad, ya que estos pueden variar.
- Consulte a un profesional HVAC para seleccionar la campana con capacidad de extracción de CFM's correcta para usted. La capacidad de CFM's depende de la clasificación de BTU's de la parrilla o estufa, medida o ubicación, tamaño de la cocina y ductos de la campana.

Cuidado de la Campana

Cuidado de la Campana

Limpieza

IMPORTANTE: Limpie con frecuencia la campana y los filtros para grasa de acuerdo a las instrucciones a continuación. Vuelva a colocar los filtros para grasa antes de poner a funcionar la campana.

Superficies Exteriores:

Para evitar daños a la superficie exterior, no use estropajos de acero ni jabonosos.

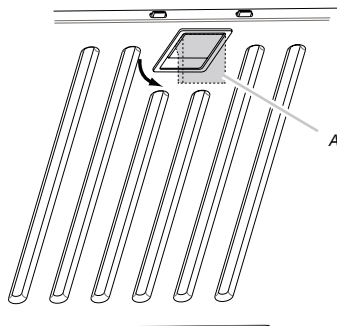
Siempre séquela con un paño para evitar manchas de agua.

Método de Limpieza:

- Detergente líquido y agua o producto de limpieza general.
- Límpielo con un paño suave húmedo o una esponja no abrasiva, enjuáguelo con agua limpia y séquelo con un paño.
- No use productos de limpieza que contengan cloro.

Filtro de acero inoxidable deflector:

1. Para quitar el filtro, jale la manija de liberación con resorte y jale el filtro hacia abajo.



A. Manija de liberación con resorte

2. Lave los filtros de grasa de acero inoxidable cuando sea necesario en la lavavajillas o con una solución caliente de detergente.
3. Vuelva a instalar el filtro asegurándose de que las manijas de liberación con resorte estén mirando hacia el frente. Inserte el filtro deflector dentro de la guía superior.
4. Empuje hacia dentro la manija de liberación con resorte.
5. Empuje el filtro de grasahacia arriba y suelte la manija para que se trabe en su lugar.

⚠ ADVERTENCIA

Al retirar el filtro, por favor, sosténgalo con ambas manos para que no caiga.

Reemplazar la Lámpara LED

Los luces LED son reemplazables sólo por un técnico de servicio. Para obtener información de contacto del servicio lea la sección de Garantía.

Reemplazar el filtro de carbón

Después de aproximadamente un año de uso, el filtro de carbón debe ser reemplazado por uno nuevo, de otro modo la capacidad de reducir olores disminuirá.

📖 NOTA

Los filtros de carbón no están incluidos en la campana. Deben ser solicitados a su proveedor o al Centro de Servicio Samsung. Ordene el kit necesario especificando el modelo y ancho de su campana.

CAMPANA SAMSUNG

Garantía limitada al comprador original

Este producto de la marca SAMSUNG, suministrado y distribuido por Samsung Electronics America, Inc. (SAMSUNG) y entregado nuevo, en su empaque original al comprador original, está garantizado por SAMSUNG contra defectos de manufactura en materiales y mano de obra por un periodo de garantía limitado de:

UN (1) AÑO EN PIEZAS Y MANO DE OBRA

Esta garantía limitada comienza en la fecha original de compra, y es válida sólo en productos comprados y usados en los Estados Unidos. Para recibir el servicio por garantía, el comprador debe contactar a SAMSUNG para la determinación del problema y procedimientos de servicio. El servicio de Garantía puede sólo ser llevado a cabo por un centro de servicio autorizado por SAMSUNG. El recibo de compra original con fecha deberá ser presentado como prueba de compra a SAMSUNG o al centro de servicio autorizado SAMSUNG.

SAMSUNG reparará o reemplazará este producto, a su criterio y sin cargo conforme a lo estipulado en el presente documento, con partes nuevas o re trabajadas o productos si se encuentran defectuosos durante el periodo limitado de garantía especificado arriba. Todas las partes reemplazadas y productos son propiedad de SAMSUNG y deben ser regresadas a SAMSUNG. Las partes de reemplazo y productos asumen el tiempo pendiente de garantía, o noventa (90) días lo que sea más largo.

El servicio a domicilio será provisto durante el periodo de la garantía sujeto a disponibilidad dentro de los Estados Unidos. El servicio a domicilio no está disponible en todas las áreas. Para recibir servicio a domicilio, el producto debe estar sin obstrucciones y accesible al personal de servicio. Si durante el servicio a domicilio la reparación no puede ser completada, será necesario remover, reparar y regresar el producto.

Esta garantía limitada cubre defectos de manufactura en materiales y mano de obra encontrados en uso normal y no comercial de este producto y no aplicarán a los siguientes, incluyendo pero no limitados a: daños ocurridos en el traslado; entrega e instalación; aplicaciones y usos para los que este producto no fue fabricado; alteración del producto o números de serie; daños cosméticos o acabados exteriores; accidentes, abuso, negligencia, fuego, agua, rayos u otros actos de la naturaleza; uso de productos, equipo sistemas servicios, partes, insumos, accesorios, aplicaciones, instalaciones, reparos, cableado externo o conectores no suministrados o autorizados por SAMSUNG los cuáles dañen este producto o causen problemas de servicio; voltaje de línea eléctrica incorrecta, fluctuaciones y sobretensiones; ajustes del cliente y falla al seguir las instrucciones de operación, limpieza, mantenimiento e instrucciones ambientales que sean cubiertas y prescritas en el libro de instrucciones; problemas causados por infestación de plagas y sobrecalentamiento provocado por el usuario.

NO HAY GARANTÍAS EXPRESAS MÁS QUE LAS LISTADAS Y DESCRITAS EN LA PARTE SUPERIOR, Y NI GARANTÍAS YA SEA EXPRESAS O IMPLICADAS, INCLUYENDO, PERO NO LIMITADAS A, ALGUNAS GARANTÍAS IMPLICADAS DE COMERCIALIZACIÓN O APTITUD PARA UN PROPÓSITO EN PARTICULAR, DEBERÁ APLICAR DESPUÉS DE LOS PERIODOS DE LA GARANTÍA EXPRESADA EN LA PARTE SUPERIOR, Y NO OTRA GARANTÍA EXPRESADA O GARANTÍA DADA POR ALGUNA PERSONA, FIRMA O CORPORACIÓN CON RESPECTO A ESTE PRODUCTO SERÁ CUBIERTA POR SAMSUNG. SAMSUNG NO SERÁ RESPONSABLE DE LA PÉRDIDA DE INGRESOS O GANANCIAS, FALLO AL REALIZAR AHORROS U OTROS BENEFICIOS U OTROS DAÑOS ESPECIALES, INCIDENTALES O A CONSECUENCIA DEL USO, DESUSO O INHABILIDAD DE ESTE PRODUCTO A PESAR DE LA TEORÍA LEGAL EN LA CUÁL EL RECLAMO ESTÁ BASADO Y AÚN SI SAMSUNG HA SIDO ADVERTIDO DE LA POSIBILIDAD DE DICHO DAÑO. NINGUNA RECUPERACIÓN DE NINGÚN TIPO EN CONTRA DE SAMSUNG SERÁ MÁS GRANDE QUE EL MONTO DEL PRECIO DE COMPRA DEL PRODUCTO VENDIDO POR SAMSUNG Y CAUSANTE DEL DAÑO ALEGADO. SIN LIMITAR LO ANTERIOR, EL COMPRADOR ASUME EL RIESGO Y LA POSIBILIDAD DE PÉRDIDA, DAÑOS O LESIONES AL COMPRADOR Y A LA PROPIEDAD DEL COMPRADOR Y A OTROS Y SUS PROPIEDADES DERIVADA DE LA UTILIZACIÓN, MAL USO O INHABILIDAD EN EL USO DE ESTE PRODUCTO VENDIDO POR SAMSUNG NO CAUSADO DIRECTAMENTE POR LA NEGLIGENCIA DE SAMSUNG. ESTA GARANTÍA LIMITADA NO SERÁ EXTENDIDA A NINGÚN OTRO MÁS QUE AL COMPRADOR ORIGINAL DE ESTE PRODUCTO NO ES TRANSFERIBLE Y DECLARA SU RECURSO EXCLUSIVO.

Algunas provincias o territorios pueden o no permitir limitaciones acerca de cuánto dura una garantía implicada, o la exclusión o limitación de daños incidentales o a causa de, así que las limitaciones o exclusiones pueden no aplicar a usted. Esta garantía le da los derechos legales específicos y usted puede tener también otros derechos los cuáles varían de estado a estado.

Para obtener este servicio de garantía, por favor contacte a SAMSUNG al :

1-800-SAMSUNG (726-7864) o
www.samsung.com/us/support

CAMPANA SAMSUNG

Garantía limitada al comprador original

Este producto de la marca SAMSUNG, suministrado y distribuido por Samsung Electronics Canadá, Inc. (SAMSUNG) y entregado nuevo, en su empaque original al comprador original, está garantizado por SAMSUNG contra defectos de manufactura en materiales y mano de obra por un periodo de garantía limitado de:

UN (1) AÑO EN PIEZAS Y MANO DE OBRA

Esta garantía limitada comienza en la fecha original de compra, y es válida sólo en productos comprados y usados en Canadá. Para recibir el servicio por garantía, el comprador debe contactar a SAMSUNG para la determinación del problema y procedimientos de servicio. El servicio de Garantía puede sólo puede ser llevado a cabo por un centro de servicio autorizado por SAMSUNG. El recibo de compra original con fecha deberá ser presentado como prueba de compra a SAMSUNG o al centro de servicio autorizado SAMSUNG.

SAMSUNG reparará o reemplazará este producto, a su criterio y sin cargo conforme a lo estipulado en el presente documento, con partes nuevas o retrabajadas o productos si se encuentran defectuosos durante el periodo limitado de garantía especificado arriba. Todas las partes reemplazadas y productos son propiedad de SAMSUNG y deben ser regresadas a SAMSUNG. Las partes de reemplazo y productos asumen el tiempo pendiente de garantía, o noventa (90) días lo que sea más largo.

El servicio a domicilio será provisto durante el periodo de la garantía sujeto a disponibilidad dentro de Canadá. El servicio a domicilio no está disponible en todas las áreas. Para recibir servicio a domicilio, el producto debe estar sin obstrucciones y accesible al personal de servicio. Si durante el servicio a domicilio la reparación no puede ser completada, será necesario remover, reparar y regresar el producto.

Esta garantía limitada cubre defectos de manufactura en materiales y mano de obra encontrados en uso normal y no comercial de este producto y no aplicarán a los siguientes, incluyendo pero no limitados a: daños ocurridos en el traslado; entrega e instalación; aplicaciones y usos para los que este producto no fue fabricado; alteración del producto o números de serie; daños cosméticos o acabados exteriores; accidentes, abuso, negligencia, fuego, agua, rayos u otros actos de la naturaleza; uso de productos, equipo sistemas servicios, partes, insumos, accesorios, aplicaciones, instalaciones, reparos, cableado externo o conectores no suministrados o autorizados por SAMSUNG los cuáles dañen este producto o causen problemas de servicio; voltaje de línea eléctrica incorrecta, fluctuaciones y sobretensiones; ajustes del cliente y falla al seguir las instrucciones de operación, limpieza, mantenimiento e instrucciones ambientales que sean cubiertas y prescritas en el libro de instrucciones; problemas causados por infestación de plagas y sobrecalentamiento provocado por el usuario. SAMSUNG no garantiza el funcionamiento ininterrumpido ni libre de errores de este producto.

NO HAY GARANTÍAS EXPRESAS MÁS QUE LAS LISTADAS Y DESCRITAS EN LA PARTE SUPERIOR, Y NI GARANTÍAS YA SEA EXPRESAS O IMPLICADAS, INCLUYENDO, PERO NO LIMITADAS A, ALGUNAS GARANTÍAS IMPLICADAS DE COMERCIALIZACIÓN O APTITUD PARA UN PROPÓSITO EN PARTICULAR, DEBERÁ APLICAR DESPUÉS DE LOS PERIODOS DE LA GARANTÍA EXPRESADA EN LA PARTE SUPERIOR, Y NO OTRA GARANTÍA EXPRESADA O GARANTÍA DADA POR ALGUNA PERSONA, FIRMA O CORPORACIÓN CON RESPECTO A ESTE PRODUCTO SERÁ CUBIERTA POR SAMSUNG. SAMSUNG NO SERÁ RESPONSABLE DE LA PÉRDIDA DE INGRESOS O GANANCIAS, FALLO AL REALIZAR AHORROS U OTROS BENEFICIOS U OTROS DAÑOS ESPECIALES, INCIDENTALES O A CONSECUENCIA DEL USO, DESUSO O INHABILIDAD DE ESTE PRODUCTO A PESAR DE LA TEORÍA LEGAL EN LA CUÁL EL RECLAMO ESTÁ BASADO Y AÚN SI SAMSUNG HA SIDO ADVERTIDO DE LA POSIBILIDAD DE DICHOS DAÑOS. NINGUNA RECUPERACIÓN DE NINGÚN TIPO EN CONTRA DE SAMSUNG SERÁ MÁS GRANDE QUE EL MONTO DEL PRECIO DE COMPRA DEL PRODUCTO VENDIDO POR SAMSUNG Y CAUSANTE DEL DAÑO ALEGADO. SIN LIMITAR LO ANTERIOR, EL COMPRADOR ASUME EL RIESGO Y LA POSIBILIDAD DE PÉRDIDA, DAÑOS O LESIONES AL COMPRADOR Y A LA PROPIEDAD DEL COMPRADOR Y A OTROS Y SUS PROPIEDADES DERIVADA DE LA UTILIZACIÓN, MAL USO O INHABILIDAD EN EL USO DE ESTE PRODUCTO VENDIDO POR SAMSUNG NO CAUSADO DIRECTAMENTE POR LA NEGLIGENCIA DE SAMSUNG. ESTA GARANTÍA LIMITADA NO SERA EXTENDIDA A NINGÚN OTRO MÁS QUE AL COMPRADOR ORIGINAL DE ESTE PRODUCTO NO ES TRANSFERIBLE Y DECLARA SU RECURSO EXCLUSIVO.

Algunas provincias o territorios pueden o no permitir limitaciones acerca de cuánto dura una garantía implicada, o la exclusión o limitación de daños incidentales o a causa de, así que las limitaciones o exclusiones pueden no aplicar a usted. Esta garantía le da los derechos legales específicos y usted puede tener también otros derechos los cuáles varían de estado a estado.

Para obtener este servicio de garantía, por favor contacte a SAMSUNG al :

1-800-SAMSUNG (726-7864) o

www.samsung.com/ca/support (Inglés),

www.samsung.com/ca_fr/support (Francés)

SAMSUNG