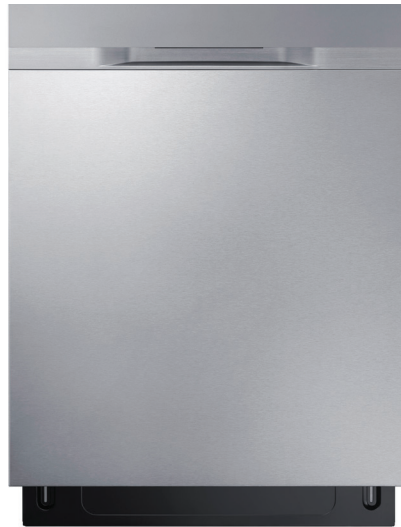


DW80K5050US

Samsung Dishwasher

Features

- StormWash™ Heavy Duty Wash System
- AutoRelease™ Door
- Light Indicator
- Digital Leakage Sensor
- Four-Layer, Insulated Door
- FlexLoad™ Racking System
- Touch Control
- Half-Load Cycle
- ENERGY STAR® rated: 265 kWh/Year
- One-Touch Adjustable Racking System
- Quiet Operation – 48 dBA
- Full Stainless Steel Interior
- Hidden Heating Element
- 15 Place Settings
- Hard Food Disposer Cleaning System
- 3 Spray Wash Arms (Upper, Middle, Lower)
- 6 Wash Cycles and 6 Wash Options
- 2 Silverware Baskets



AutoRelease™ Door



StormWash™

Convenience

- Control Lock
- Rinse Refill Indicator
- Cycle Progress Indicator
- Last Cycle Memory
- Self-Cleaning Filtration System
- Six Sensors (Digital Water Leakage, Overflow, Sanitize, Turbidity, Water Fill, Rinse Refill)

Available Colors



Stainless Steel
(shown)



White



Black Stainless Steel



Signature Features

STORMWASH™

- Heavy-duty wash system makes pre-rinsing unnecessary.
- Powerful rotating spray jets positioned to clean dishes at every angle.
- Simply place hard-to-clean items above the StormWash™ wheel on the bottom rack and it scrubs them for you.

AUTORELEASE™ DOOR

- Door opens automatically to dry dishes faster.*
- *Improvements versus drying performance of the DW80F600.

LIGHT INDICATOR

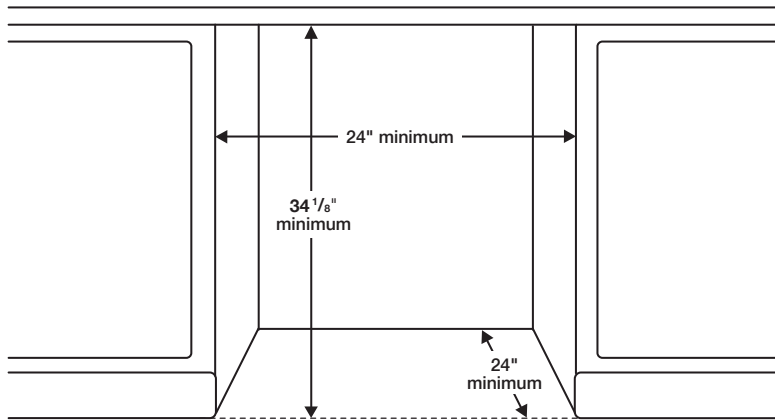
- Indicates whether it's running and can be seen from across the room.

SAMSUNG

DW80K5050US

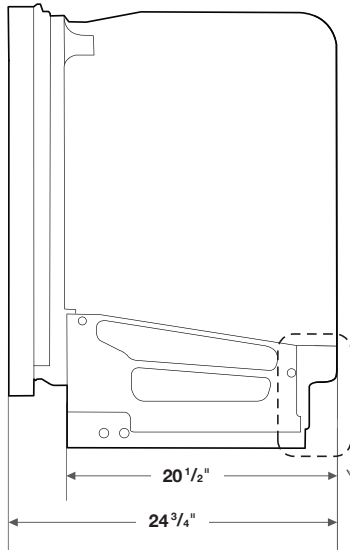
Samsung Dishwasher

Installing Your Dishwasher

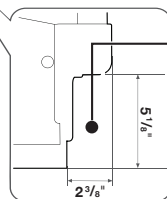
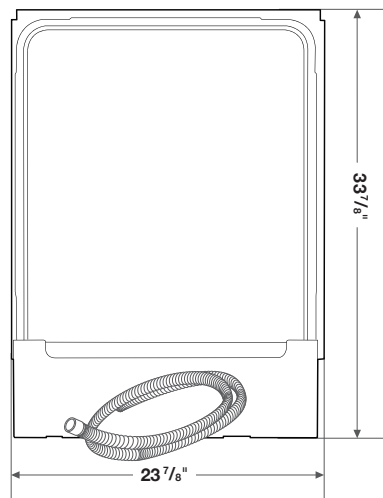


Dimensions

Side View



Rear View



The water supply line, power cable and drain hose should go through this space behind the dishwasher. Then, the power cable run in channels under the dishwasher to connections in the front.

Features

- 6 Wash Cycles: Auto, Heavy, Normal, Express 60, Delicate, Rinse Only
- 6 Options: StormWash,[™] Lower Rack Wash, Sanitize (Anti-Bacterial-NSF), Hi-Temp Wash, Delay Start, Control Lock
- 2-Stage Filtration
- Hidden Heat Element
- Stainless Steel Interior Tub

Convenience

- Control Lock
- Digital Water Leakage Sensor: Detects Water Leaks Before They Happen and Shuts Off the Dishwasher to Prevent Water Damage.
- Nylon Racking
- Upper Rack: 2 Cup Shelves, Adjustable Tines
- Lower Rack: Removable Tines
- 2 Silverware Baskets

Warranty

One (1) Year All Parts and Labor

Five (5) Year Limited on Printed Circuit Board and Interior Nylon Racks

Lifetime Limited Warranty on Stainless Steel Door Liner and Tub for Leakage

Product Dimensions & Weight (WxHxD)

Dimensions (height is adjustable):
23⁷/₈" x 33⁷/₈" – 35⁷/₈" x 24³/₄"

Weight: 95 lbs.

Shipping Dimensions & Weight (WxHxD)

Dimensions: 26" x 35" x 29¹/₂"

Weight: 106 lbs.

Color

Stainless Steel
White
Black Stainless Steel

Model

DW80K5050US
DW80K5050UW
DW80K5050UG

UPC Code

887276166391
887276166414
887276242149

Actual color may vary. Design, specifications, and color availability are subject to change without notice. Non-metric weights and measurements are approximate.

©2017 Samsung Electronics America, Inc. 85 Challenger Road, Ridgefield Park, NJ 07660. Tel: 800-SAMSUNG. samsung.com. Samsung is a registered trademark of Samsung Electronics Co. Ltd.

SAMSUNG