

WA50F9A8DSP

Samsung Top-Load Washer

5.0 cu. ft. Capacity DOE

Features

- Internal Water Heater
- AquaJet™ Cleaning and Delicates
- Smart Care
- Diamond Drum™ Design
- PureCycle™ (Tub Clean)
- 15 Preset Wash Cycles with 11 Options
- VRT™ – Vibration Reduction Technology
- 1100 rpm Maximum Spin Speed
- Stainless Steel Pulsator
- Direct Drive Inverter Motor
- LED Display: Ice Blue
- Door Lid: Chrome Deco Curved Tinted Glass
- Soft Close Lid
- Sanitize Cycle

Convenience

- Child Lock
- Delay Start – Up to 24 Hours
- 6 Temperature Settings
- 5 Spin Settings
- 5 Soil Settings
- Dispenser Trays: Main Wash, Softener, Bleach



ENERGY STAR® rated:
Rated CEE Tier 3
MEF = 2.7



WCF = 3.7
165 kWh/yr



Ranked **“Highest in Customer Satisfaction with Clothes Washers”**
by J.D. Power and Associates.
(4 Consecutive Years)



Huge capacity lets you wash 2.6 baskets of laundry in a single load.



Internal Water Heater

Available Colors



Stainless Platinum (shown)



White

Signature Features

SAVE HOURS WITH HUGE 5.0 CU. FT. CAPACITY

- Huge capacity lets you wash 2.6 laundry baskets in a single load.
- Save over 3 hours¹ per week doing laundry versus a conventional washer.

¹ Based on 10 lb. load per basket. Using a consumer average of 350 loads per year with average normal wash cycle of 53 minutes equals a time savings of over 3 hours per week.

INTERNAL WATER HEATER

- Activates sanitize cycle for NSF-certified 99.9 percent bacteria-free laundry.²
- Ensures the right water temperature for optimal cleaning performance.

² Based on NSF protocol/P172 certification: See NSF.org for more information.

SMART CARE

- Perform a quick diagnosis of your washer right from your smartphone.³
- Get access to troubleshooting options.

³ Available for iPhone 4/4S and Galaxy S1/S2/S3/NOTE. Smart Washer/Dryer App available on Google Play and iTunes.

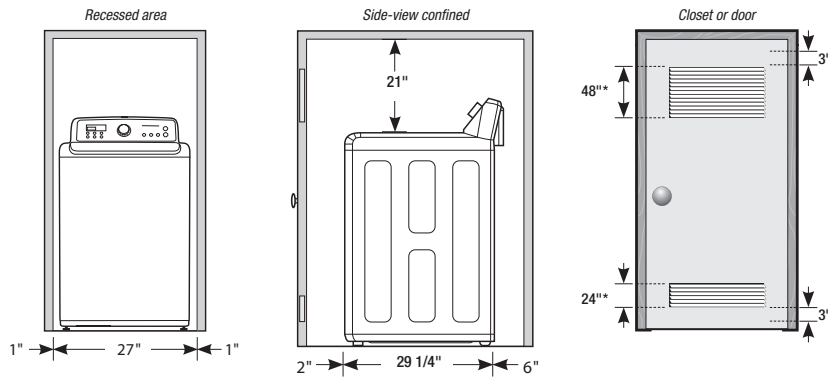
SAMSUNG

WA50F9A8DSP

Samsung Top-Load Washer

Installing Your Washer

Alcove or closet installation



Minimum clearances for closets and alcoves:

Sides – 1"
Top – 17"
Rear – 5"
Closet front – 2"

If the washer and dryer are installed together, the closet front must have at least a 72 in (465 cm) unobstructed air opening. Your washer alone does not require a specific air opening.

* Required spacing.
(External exhaust elbow requires additional space)

5.0 cu. ft. Capacity DOE

15 Preset Wash Cycles:

Normal, Heavy Duty, Permanent Press, Sanitize, Towels, Bedding, Colors/Darks, Infant Wear, Active Wear, Delicates/Hand Wash, Wool, Quick Wash, PureCycle™ Rinse and Spin, Spin Only

11 Options:

AquaJet™ Deep Clean, Delay Start – Up to 24 Hours, My Cycle, Pre Soak, Extra Rinse, Signal On/Off, Child Lock, Softener, AquaJet™ Delicate Wash, Garment+, Eco Plus

6 Temperature Settings:

Extra Hot, Hot, Warm, Eco Warm, Cold, Tap Cold

5 Spin Settings:

Extra High, High, Medium, Low, No Spin

5 Soil Settings:

Heavy, Heavy Medium, Normal, Low Medium, Light

2 Signal Level Settings:

On/Off

Warranty

One (1) Year Parts and Labor
Two (2) Years Control Board
Three (3) Years Stainless Steel Drum
Ten (10) Years Direct Drive Motor

Product Dimensions & Weight (WxHxD)

Dimensions: 27" x 44 3/4" x 29 1/4"

Weight: 142.7 lbs

Shipping Dimensions & Weight (WxHxD)

Dimensions: 29 1/2" x 47" x 31"

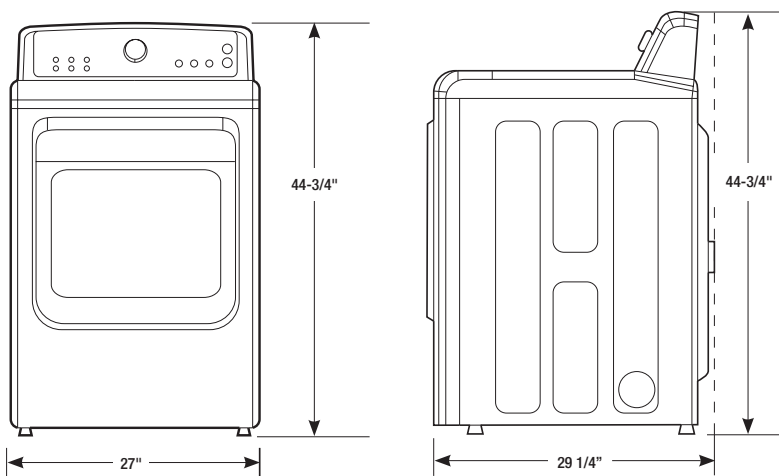
Weight: 153.7 lbs

| Color | Model # | UPC Code |
|--------------------|-------------|--------------|
| Stainless Platinum | WF50F9A8DSP | 887276018140 |
| White | WF50F9A8DSW | 887276017860 |

Matching Dryer (Electric/Gas)

| | | |
|--------------------|-------------|--------------|
| Stainless Platinum | DV50F9A8EVP | 887276018461 |
| White | DV50F9A8EWW | 887276018003 |
| Stainless Platinum | DV50F9A8GVP | 887276018713 |
| White | DV50F9A8GVW | 887276018010 |

Dimensions



Actual color may vary. Design, specifications, and color availability are subject to change without notice. Non-metric weights and measurements are approximate.

SAMSUNG

Samsung received the highest numerical score for clothes washers (2009-2012) and dryers (2008-2012) in the proprietary J.D. Power and Associates Laundry Appliance Studies. SM 2012 study based on 9,339 total responses measuring 12 brands, and measures opinions of consumers about their washer and dryer obtained new in the past 24 months. Proprietary study results are based on experiences and perceptions of consumers surveyed in January-February 2012. Your experiences may vary. Visit jdpower.com.

©2013 Samsung Electronics America, Inc. 85 Challenger Road, Ridgefield Park, NJ 07660. Tel: 800-SAMSUNG. samsung.com. Samsung is a registered trademark of Samsung Electronics Co. Ltd.