



Washer

User manual

WF45M5500A*/WF45M5100A*

SAMSUNG

Contents

Safety information	4
What you need to know about the safety instructions	4
Important safety symbols	4
Important safety precautions	5
Critical installation warnings	6
Installation cautions	8
Critical usage warnings	8
Usage cautions	10
Critical cleaning warnings	13
Installation	14
Unpacking your washer	14
What's included	15
Installation requirements	17
Step-by-step installation	22
Before you start	28
Initial settings	28
Laundry guidelines	28
Detergent drawer guidelines	30
Operations	33
Feature panel	33
Simple steps to start	36
Cycle overview	37
Maintenance	43
Self Clean+	43
Smart Care	44
Emergency drain	45
Cleaning	46
Recovery from freezing	49
Care against an extended time of disuse	49
Cleaning the exterior	50
Cleaning the interior	50

Troubleshooting	51
Checkpoints	51
Information codes	55
Specifications	57
Fabric care chart	57
Protecting the environment	58
Declaration of conformity	58
Specification sheet	59
Cycle chart	60
Warranty (U.S.A)	62



Safety information

Congratulations on your new Samsung washer. This manual contains important information on the installation, use and care of your appliance. Please take some time to read this manual to take full advantage of your washer's many benefits and features.

What you need to know about the safety instructions

Please read this manual thoroughly to ensure that you know how to safely and efficiently operate the extensive features and functions of your new appliance. Please store the manual in a safe location close to the appliance for future reference. Use this appliance only for its intended purpose as described in this instruction manual.

Warnings and Important Safety Instructions in this manual do not cover all possible conditions and situations that may occur. It is your responsibility to use common sense, caution and care when installing, maintaining and operating your washer.

Because the following operating instructions cover various models, the characteristics of your washer may differ slightly from those described in this manual and not all warning signs may be applicable. If you have any questions or concerns, contact your nearest service center or find help and information online at www.samsung.com.

Important safety symbols

What the icons and signs in this user manual mean:

 **WARNING**

Hazards or unsafe practices that may result in severe personal injury, death and/or property damage.

 **CAUTION**

Hazards or unsafe practices that may result in personal injury and/or property damage.

 **NOTE**

Indicates that a risk of personal injury or material damage exists.

These warning signs are here to prevent injury to yourself and others.

Please follow them explicitly.

After reading this manual, store it in a safe place for future reference.

Read all instructions before using the appliance.

As with any equipment that uses electricity and moving parts, potential hazards exist.

To safely operate this appliance, familiarize yourself with its operation and exercise care when using it.

SAVE THESE INSTRUCTIONS



Important safety precautions

WARNING

To reduce the risk of fire, electric shock, or injury to persons when using your appliance, follow basic precautions, including the following:

1. Read all instructions before using the appliance.
2. Do not wash or dry articles that have been previously cleaned in, washed in, soaked in, or spotted with gasoline, dry-cleaning solvents, other flammable or explosive substances as they give off vapors that could ignite or explode.
3. Do not allow children to play on or in the appliance. Close supervision of children is necessary when the appliance is used near children.
4. Before the appliance is removed from service or discarded, remove the door to the washing or drying compartment.
5. Do not reach into the appliance if the drum is moving.
6. Do not install or store this appliance where it will be exposed to the weather.
7. Do not tamper with controls.
8. Do not repair or replace any part of the appliance or attempt any servicing unless specifically recommended in the user-maintenance instructions or in published user repair instructions that you understand and have the skills to carry out.
9. Do not add gasoline, dry-cleaning solvents, or other flammable or explosive substances to the wash water. These substances give off vapors that could ignite or explode.
10. Under certain conditions, hydrogen gas may be produced in a hot water system that has not been used for 2 weeks or more. **HYDROGEN GAS IS EXPLOSIVE.** If the hot water system has not been used for such a period, before using a washer or combination washer-dryer, turn on all hot water faucets and let the water flow from each for several minutes. This will release any accumulated hydrogen gas. As the gas is flammable, do not smoke or use an open flame during this time.

SAVE THESE INSTRUCTIONS



Safety information

Critical installation warnings

State of California Proposition 65 Warning (US only)

This product contains chemicals known to the State of California to cause cancer and birth defects or other reproductive harm.

The installation of this appliance must be performed by a qualified technician or service company.

- Failure to do so may result in electric shock, fire, an explosion, problems with the product, or injury.

The appliance is heavy, therefore take care when lifting it.

Plug the power cord into a wall socket that meets local electrical specifications. Use the socket for this appliance only, and do not use an extension cord.

- Sharing a wall socket with other appliances, using a power strip, or extending the power cord may result in electric shock or fire.
- Ensure that the voltage, frequency, and current supplied to the washer matches those listed in the product specifications. Failure to do so may result in electric shock or fire. Plug the power plug into the wall socket firmly.

Remove all foreign substances such as dust or water from the power plug terminals and contact points using a dry cloth on a regular basis.

- Unplug the power plug and clean it with a dry cloth.
- Failure to do so may result in electric shock or fire.

Plug the power plug into the wall socket so that the cord is running towards the floor.

- If you plug the power plug into the socket in the opposite direction, the electric wires within the cable may be damaged and this may result in electric shock or fire.

Keep all packaging materials out of the reach of children as these may be dangerous.

- If a child places a plastic bag over his or her head, he or she can suffocate.

If the appliance, power plug, or power cord is damaged, contact your nearest service center.

This appliance must be properly grounded.

Do not ground the appliance to a gas pipe, plastic water pipe, or telephone line.

- This may result in electric shock, fire, an explosion, or problems with the product.

SAVE THESE INSTRUCTIONS



- Never plug the power cord into a socket that is not grounded correctly. Make sure that the socket is in accord with local and national regulations.

Do not install this appliance near a heater or any flammable material.

Do not install this appliance in a humid, oily or dusty location, or in a location exposed to direct sunlight or water (rain drops).

Do not install this appliance in a location exposed to low temperatures.

- Frost may cause the tubes to burst.

Do not install this appliance in a location where gas may leak.

- This may result in electric shock or fire.

Do not use an electric transformer to power the washer.

- This may result in electric shock or fire.

Do not use a damaged power plug, damaged power cord, or loose wall socket.

- This may result in electric shock or fire.

Do not pull or bend the power cord excessively.

Do not twist or tie the power cord.

Do not hook the power cord over a metal object, place a heavy object on the power cord, insert the power cord between objects, or push the power cord into the space behind the appliance.

- This may result in electric shock or fire.

Do not pull the power cord when unplugging the power plug.

- Unplug the power plug by pulling the plug.
- Failure to do so may result in electric shock or fire.

This appliance should be positioned so that the power plug, the water supply taps, and the drain pipes are accessible.

SAVE THESE INSTRUCTIONS



Safety information

Installation cautions

CAUTION

This appliance should be positioned in such a way that the power plug is easily accessible.

- Failure to do so may result in electric shock or fire due to electric leakage.

Install your appliance on a solid, level floor that can support its weight.

- Failure to do so may result in abnormal vibrations, movement, noise, or problems with the product.

Critical usage warnings

WARNING

If the appliance is flooded, turn off the water & power supplies immediately and contact your nearest service center.

- Do not touch the power plug with wet hands.
- Failure to do so may result in electric shock.

If the appliance generates a strange noise, a burning smell, or smoke, unplug the power plug immediately and contact your nearest service center.

- Failure to do so may result in electric shock or fire.

In the event of a gas leak (such as propane gas, LP gas, etc.), ventilate immediately without touching the power plug. Do not touch the appliance or power cord.

- Do not use a ventilating fan.
- A spark may result in an explosion or fire.

Do not let children play in or on the washer. In addition, when disposing of the appliance, remove the washer door lever.

- Children can suffocate to death if trapped inside the product.

Make sure to remove the packaging (sponge, styrofoam) attached to the bottom of the washer before using it.

Do not wash items contaminated with gasoline, kerosene, benzene, paint thinner, alcohol, or other inflammable or explosive substances in the washer.

- This may result in electric shock, fire, or an explosion.

SAVE THESE INSTRUCTIONS



Do not open the washer door by force while it is operating (high-temperature washing/drying/spinning).

- Water flowing out of the washer may result in burns or cause the floor to be slippery. This may result in injury.
- Opening the door by force may result in damage to the product or injury.

Do not insert your hand under the washer while an operation is in progress.

- This may result in injury.

Do not touch the power plug with wet hands.

- This may result in electric shock.

Do not turn the appliance off by unplugging the power plug while an operation is in progress.

- Plugging the power plug into the wall socket again may cause a spark and result in electric shock or fire.

Do not let children or the infirm use this washer without proper supervision. Do not let children climb in or onto the appliance.

- This may result in electric shock, burns, or injury.

Do not insert your hand or a metal object under the washer while it is operating.

- This may result in injury.

Do not unplug the appliance by pulling the power cord. Always grip the plug firmly and pull it straight out of the outlet.

- Damage to the power cord may cause a short-circuit, fire, and/or electric shock.

Do not attempt to repair, disassemble, or modify the appliance yourself.

- Do not use a fuse (such as copper, steel wire, etc.) other than a standard fuse.
- When the appliance needs to be repaired or reinstalled, contact your nearest service center.
- Failure to do so may result in electric shock, fire, problems with the product, or injury.

If the water supply hose comes loose from the faucet and floods the appliance, unplug the power plug.

- Failure to do so may result in electric shock or fire.

Unplug the power plug when the appliance is not being used for long periods of time or during a thunder or lightning storm.

- Failure to do so may result in electric shock or fire.

SAVE THESE INSTRUCTIONS



Safety information

If any foreign substance enters the appliance, unplug the power plug and contact your nearest Samsung Customer Service.

- This may result in electric shock or fire.

Do not let children (or pets) play in or on your washer. The washer door does not open easily from the inside and children may be seriously injured if trapped inside.

Usage cautions

CAUTION

If the washer is contaminated by a foreign substance such as detergent, dirt, food waste, etc., unplug the power plug and clean the washer using a damp, soft cloth.

- Failure to do so may result in discoloration, deformation, damage, or rust.

The front glass may be broken by a strong impact. Take care when using the washer.

- If the glass is broken, it may result in injury.

After a water supply failure or when reconnecting the water supply hose, open the faucet slowly.

Open the faucet slowly after a long period of non-use.

- The air pressure in the water supply hose or the water pipe may damage a product part or result in a water leak.

If a draining error occurs during an operation, check if there is a draining problem.

- If the washer is used when it is flooded because of a draining problem, it may result in electric shock or fire.

Insert the laundry into the washer completely so that the laundry does not get caught in the door.

- If laundry gets caught in the door, it may result in damage to the laundry or the washer, or result in a water leak.

Turn the water supply off when the washer is not being used.

- Ensure that the water supply hose connectors are properly tightened.

Ensure that the rubber seal and front door glass are not contaminated by a foreign substance (e.g. waste, thread, hair, etc.).

- If a foreign substance is caught in the door or the door is not completely closed, it may cause a water leak.

SAVE THESE INSTRUCTIONS



Open the faucet and check if the water supply hose connectors are firmly tightened and that there are no water leaks before using the product.

- If the connectors on the water supply hoses are loose, it may result in a water leak.

The product you have purchased is designed for domestic use only.

Using the product for business purposes qualifies as a product misuse. If the product is used for business purposes, it will not be covered by the standard warranty provided by Samsung and no responsibility can be attributed to Samsung for malfunctions or damages resulting from such misuse.

Do not stand on the appliance or place objects (such as laundry, lighted candles, lighted cigarettes, dishes, chemicals, metal objects, etc.) on the appliance.

- This may result in electric shock, fire, problems with the product, or injury.

Do not spray volatile material such as insecticide onto the surface of the appliance.

- As well as being harmful to humans, this may result in electric shock, fire, or problems with the product.

Do not place objects that generate electromagnetic fields near the washer.

- This may result in injury due to a malfunction.

Water drained during a high-temperature wash or drying cycle is hot. Do not touch the water.

- This may result in burns or injury.

Do not wash, spin, or dry water-proof seats, mats, or clothing (*) unless your appliance has a special cycle for washing these items.

(*): Woollen bedding, rain covers, fishing vests, ski pants, sleeping bags, diaper covers, sweat suits, and bicycle, motor cycle and car covers, etc.

- Do not wash thick or hard mats even if the washer mark is on the care label. This may result in injury or damage to the washer, walls, floor, or clothing due to abnormal vibrations.
- Do not wash throw rugs or doormats with rubber backing. The rubber backing may come off and stick to inside the drum, and this may result in malfunction such as a drainage error.

Do not operate the washer when the detergent drawer is removed.

- This may result in electric shock or injury due to a water leak.

SAVE THESE INSTRUCTIONS



Safety information

Do not touch the insides of the drum during or just after drying as it is hot.

- This may result in burns.

Do not insert your hand into the detergent drawer.

- This may result in injury as your hand may be caught by the detergent input device.
- Do not use the liquid detergent container (on applicable models only) for powdered detergent. Remove the container and put powdered detergent directly into the Main wash compartment.

Do not place any objects (such as shoes, food waste, animals) other than laundry into the washer.

- This may result in damage to the washer, or injury and death in the case of pets, due to the abnormal vibrations.

Do not press the buttons using sharp objects such as pins, knives, fingernails, etc.

- This may result in electric shock or injury.

Do not wash laundry contaminated by oils, creams, or lotions usually found in skincare shops or massage clinics.

- This may cause the rubber seal to become deformed and result in a water leak.

Do not leave metal objects such as safety pins, hair pins or bleach in the drum for long periods of time.

- Doing either may cause the drum to rust.
- If rust starts appearing on the surface of the drum, apply a (neutral) cleansing agent to the surface and use a sponge to clean it. Never use a metal brush.

Do not use dry cleaning detergent directly and do not wash, rinse, or spin laundry contaminated by dry cleaning detergent.

- This may result in spontaneous combustion or ignition due to the heat from the oxidation of the oil.

Do not use water from water cooling/heating devices.

- This may result in problems with the washer.

Do not use natural hand-washing soap for the washer.

- If it hardens and accumulates inside the washer, it may result in problems with the product, discoloration, rust, or bad odors.

SAVE THESE INSTRUCTIONS



Place socks and brassieres in a washing net and wash them with the other laundry.

Do not wash large laundry items such as bedding in the washing net.

- Failure to do so may result in injury due to abnormal vibrations.

Do not use hardened detergent.

- If it accumulates inside the washer, it may result in a water leak.

Make sure that the pockets of all the clothing items to be washed are empty.

- Hard, sharp objects such as coins, safety pins, nails, screws, or stones can cause extensive damage to the appliance.

Do not wash clothing with large buckles, buttons, or other heavy metal objects in the washer.

Sort the laundry by color on the basis of its colorfastness and select the recommended cycle, water temperature, and additional functions.

- Failure to do this may result in discoloration or fabric damage.

Take care that children's fingers are not caught in the door when you close it.

- Failure to do so may result in injury.

Critical cleaning warnings

WARNING

Do not clean the appliance by spraying water directly onto it.

Do not use a strong acidic cleaning agent.

Do not use benzene, thinner, or alcohol to clean the appliance.

- This may result in discoloration, deformation, damage, electric shock, or fire.

Before cleaning or performing maintenance, unplug the appliance from the wall socket.

- Failure to do so may result in electric shock or fire.

SAVE THESE INSTRUCTIONS

Installation

Follow these instructions carefully to ensure proper installation of your washer and to prevent accidents when doing laundry.

⚠ **WARNING**

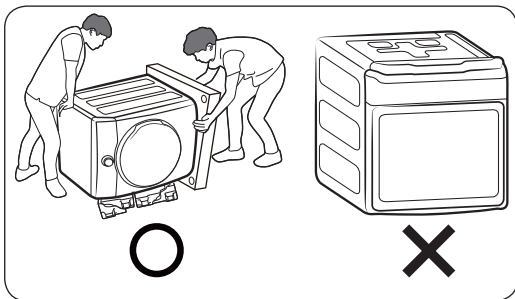
Control board, heat sink, motor, inlet valve and pump are intentionally not grounded and may present a risk of electric shock only during servicing.

Unpacking your washer

Unpack your washer and inspect it for shipping damage. Make sure you have received all the items shown below. If your washer was damaged during shipping, or you do not have all of the items, call 1-800-SAMSUNG (1-800-726-7864). To prevent personal injury or strain, wear protective gloves whenever lifting or carrying the unit.

⚠ **WARNING**

Packing materials can be dangerous to children; Keep all packing material (plastic bags, polystyrene, etc.) well out of children's reach.



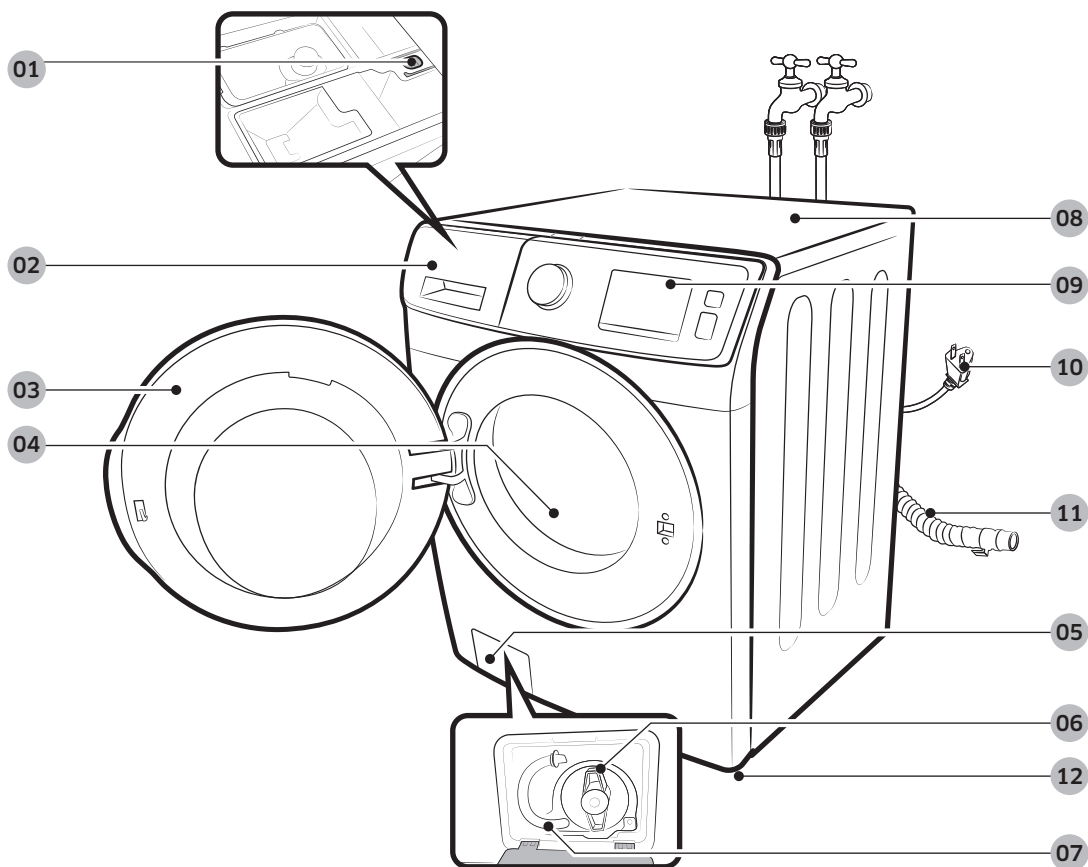
⚠ **CAUTION**

When unpacking the washer, a 2 person collaboration is needed. To remove the cushion bottom of the packing materials, do not tip the washer over on its front side.

When you lay the washer down to remove the carton base, protect the side of the washer and lay it down carefully. Never lay your washer on its back or front.

What's included

Make sure all the parts are included in the product package. If you have a problem with the washer or the parts, contact a local Samsung customer center or the retailer.



01 Release lever

04 Drum

07 Emergency drain tube

10 Power plug

02 Detergent drawer

05 Filter cover

08 Worktop

11 Drain hose

03 Door

06 Pump filter

09 Control panel

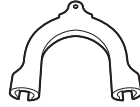
12 Levelling feet

Installation

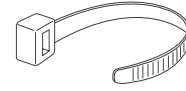
Parts supplied



Bolt caps

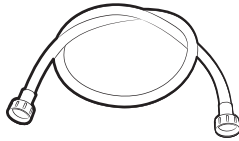


Hose guide

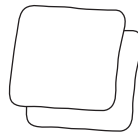


Tie straps

Parts not supplied

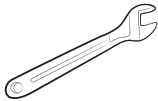


Water hoses (sold separately)

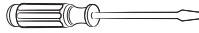


Anti-slip pads (sold separately)

Tools needed for installation



Wrench



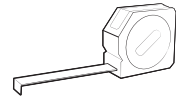
Philips screwdriver



Level



Adjustable Plier



Measuring tape

NOTE

- Bolt caps: The number (3 to 6) of bolt caps provided depends on the model.
- The appearance of the washer and provided accessories may differ with the model.
- To purchase an accessory or lost part, contact a local Samsung service center or the retailer.

CAUTION

- Do not reuse old water hoses, which may leak or burst, causing flooding and/or property damage.
- Make sure rubber washers are inserted in each coupling of both water hoses.

Installation requirements

Electrical supply and grounding

- AC 120 V / 60 Hz fuse or circuit breaker is required.
- Use an individual branch circuit.
Connect only the washer to the circuit.

To ensure proper grounding, the washer comes with a power cord featuring a three-prong grounding plug for use in a properly installed and grounded outlet. Check with a qualified electrician or service person if you are not sure about the grounding.

Do not modify the provided plug. If it does not fit the outlet, call a qualified electrician to install a proper outlet.

WARNING

- Do NOT use an extension cord.
- Use only the power cord that comes with the washer.
- Do NOT connect the ground wire to plastic plumbing, gas lines, or hot water pipes.
- Improperly connected grounding conductors may cause electric shock.
- To prevent unnecessary risk of fire, electrical shock, or personal injury, all wiring and grounding must be done in accordance with local codes, or in the absence of local codes, in accordance with the National Electrical Code, ANSI/NFPA No. 70-Latest Revision (for the U.S.) or the Canadian Electrical Code CSA C22.1 - Latest Revisions and local codes and ordinances. It is your responsibility to provide adequate electrical service for your washer.

Water supply

Proper water pressure for this washer is between 20-116 psi (137-800 kPa).

Water pressure less than 20 psi (137 kPa) may cause the water valve not to close completely. Or, it may take longer to fill the drum, causing the washer to turn off. Faucets must be within 4 feet (122 cm) from the rear of the washer so that the provided inlet hoses reach the washer.

To reduce the risk of leaks:

- Make sure faucets are easily accessible.
- Turn off the taps when the washer is not in use.
- Check for any leaks at the water inlet hose fittings on a regular basis.

CAUTION

Before using the washer for the first time, check all connections at the water valve and taps for any leaks.



Installation

Drain

Samsung recommends a standpipe 18 in (46 cm) high. The drain hose must be connected through the hose clip to the standpipe, and the standpipe must fully cover the drain hose.

Flooring

For best performance, the washer must be installed on a solid floor. Wood floors may need to be reinforced to minimize vibration and/or unbalanced loads. Carpeting and soft tile surfaces do not provide good resistance to vibrations and may cause the washer to move slightly during the spin cycle.

CAUTION

Do NOT install the washer on a platform or a poorly supported structure.

Water temperature

Do not install the washer in areas where water may freeze as the washer always retains some water in its water valves, pumps, and/or hoses. Frozen water left in the connection parts may cause damage to belts, the pump, and other components of the washer.

Alcove or closet installation

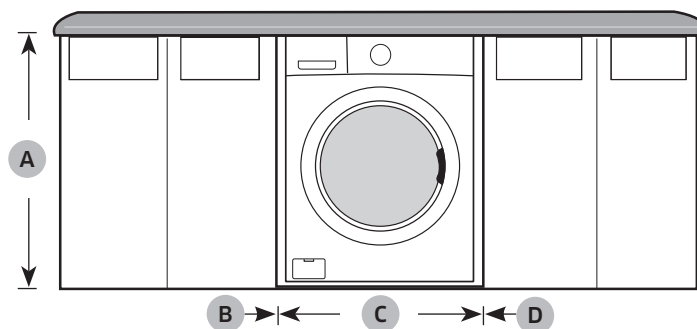
Minimum clearance for stable operation:

Sides	1 in. (25 mm)
Top	17 in. (432 mm)
Rear	5.9 in. (150 mm)
Front	2 in. (51 mm)

If both the washer and a dryer are installed in the same location, the front of the alcove or closet must have at least a 72 in² (465 cm²) unobstructed air opening. Your washer alone does not require a specific air opening.

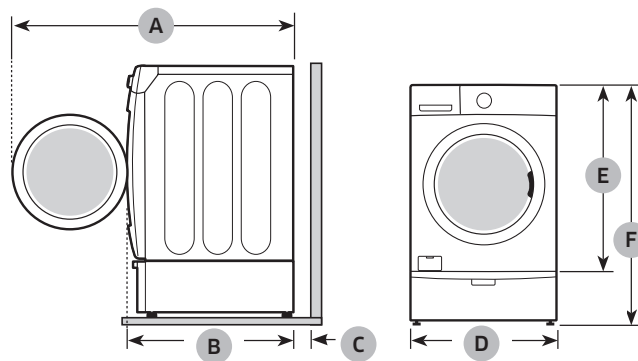


Undercounter installation



A	39 in. (991 mm)	C	27 in. (686 mm)
B	1 in. (25 mm)	D	1 in. (25 mm)

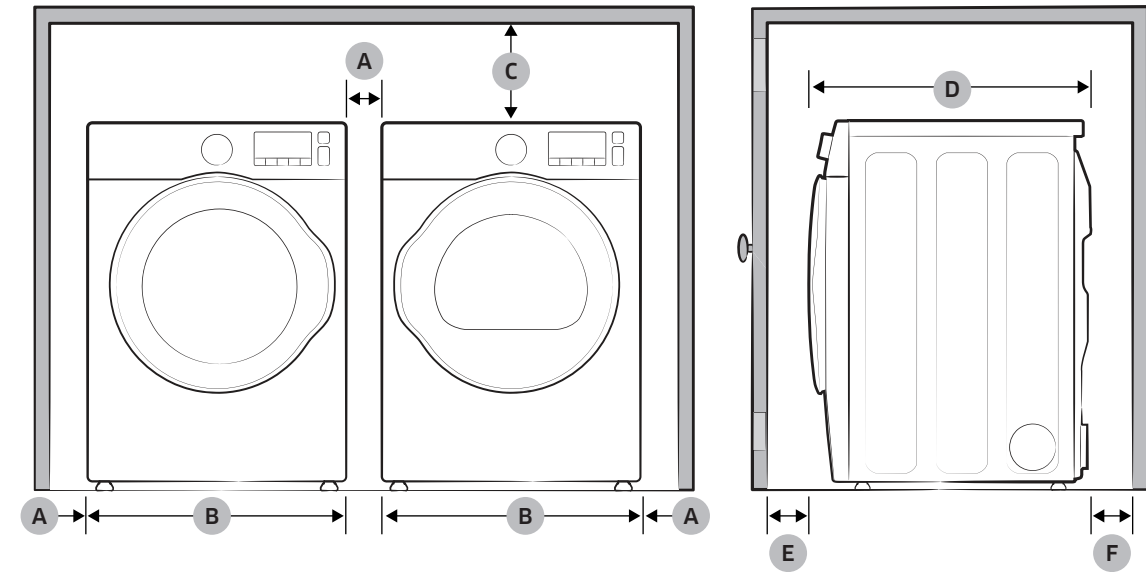
Installation on a pedestal



A	54.6 in. (1387 mm)	D	27 in. (686 mm)
B	34 in. (864 mm)	E	38.7 in. (984 mm)
C	5.9 in. (150 mm)	F	53.4 in. (1356 mm)

Installation

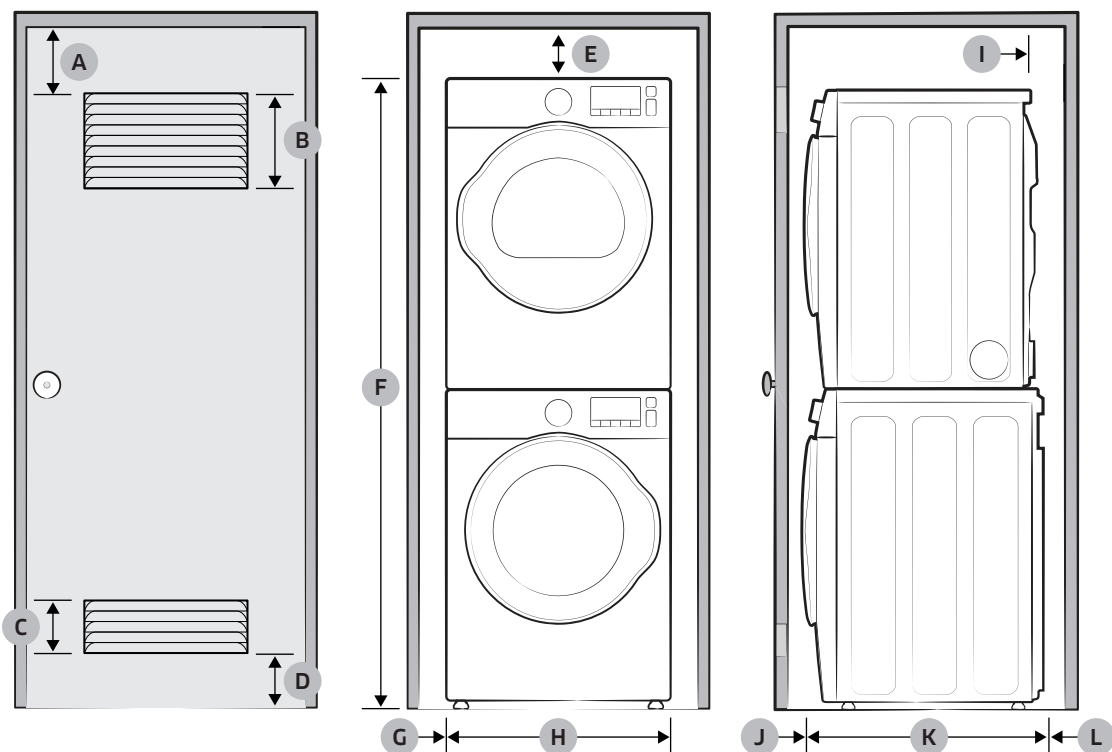
Side by side installation



A*	1 in. (25 mm)	D	34 in. (864 mm)
B	27 in. (686 mm)	E	2 in. (51 mm)
C	17 in. (432 mm)	F	5.9 in. (150 mm)

*This clearance is not applicable to stand-alone washers.

Stacked installation (Model: SKK-7A)



A	3 in. (76 mm)	G	1 in. (25 mm)
B	48 in ² . (31000 mm ²)	H	27 in. (686 mm)
C	24 in ² . (15500 mm ²)	I	5 in. (127 mm)
D	3 in. (76 mm)	J	3 in. (76 mm)
E	6 in. (152 mm)	K	34 in. (864 mm)
F	78.5 in. (1994 mm)	L	8 in. (203 mm)

⚠ WARNING

- Samsung's washers and dryers can be stacked to maximize usable space.
- The dryer legs need to be removed to stack the washer and dryer. You can purchase an optional stacking kit from your Samsung retailer.

Installation

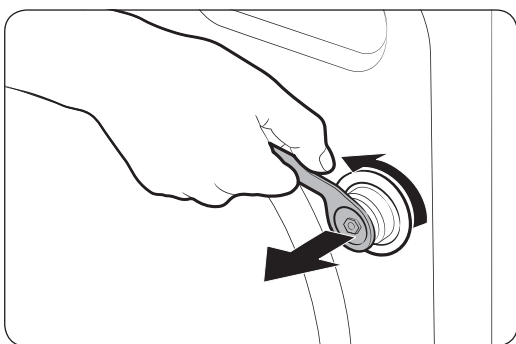
Step-by-step installation

STEP 1 Select a location

Location requirements:

- A solid, level surface without carpeting or flooring that may obstruct ventilation
- No direct sunlight
- Adequate room for ventilation and wiring
- Ambient temperature always higher than the freezing point (32 °F / 0 °C)
- Away from heat sources

STEP 2 Remove the shipping bolts

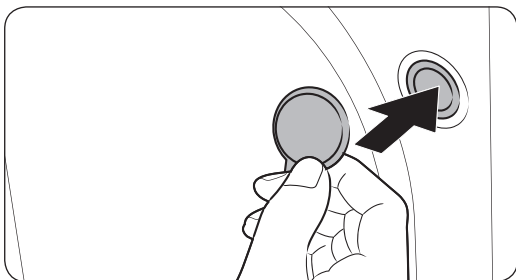


Unpack the product package and remove all shipping bolts.

1. Loosen all shipping bolts on the rear of the machine using the spanner.

NOTE

An adjustable wrench or 10 mm open-end wrench is required for removing the shipping bolts.

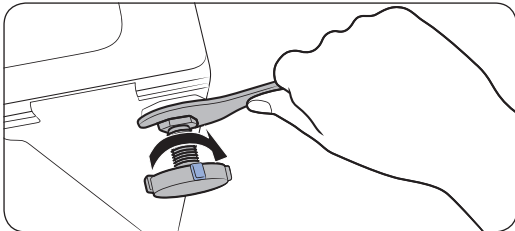
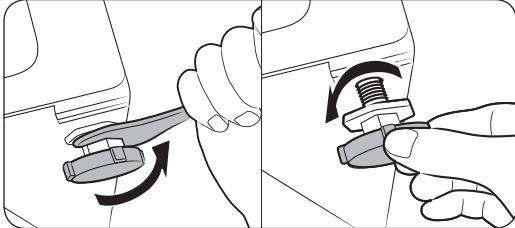


2. Fill the holes with the supplied plastic bolt caps.
Keep the shipping bolts for future use.

WARNING

Packaging materials can be dangerous to children. Dispose all packaging material (plastic bags, polystyrene, etc.) out of children's reach.

STEP 3 Adjust the levelling feet

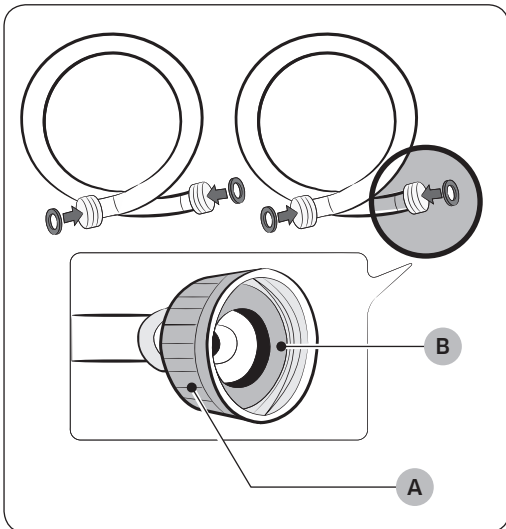


1. Gently slide the washer into position. Excessive force may damage the levelling feet.
2. Level the washer by manually adjusting the levelling feet.
3. When levelling is complete, tighten the nuts using the spanner.

NOTE

An adjustable wrench or 17 mm open-end wrench is required to loosen or tighten the leveling feet.

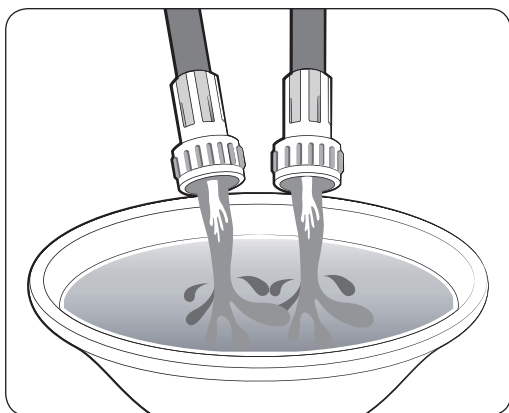
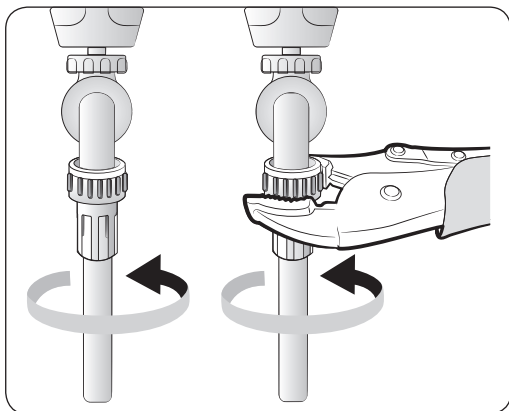
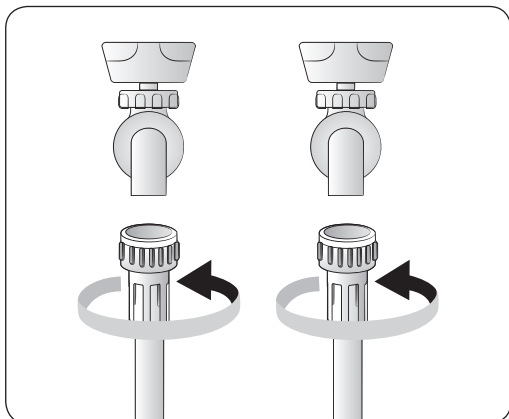
STEP 4 Connect the water hose



CAUTION

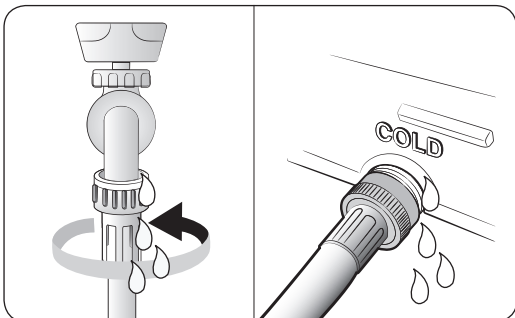
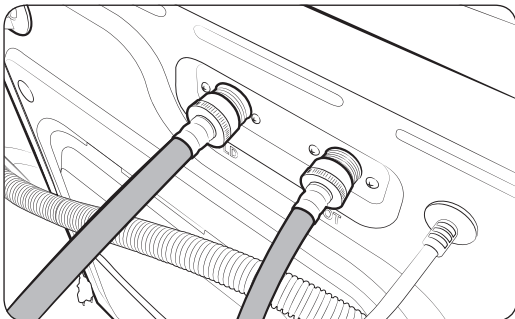
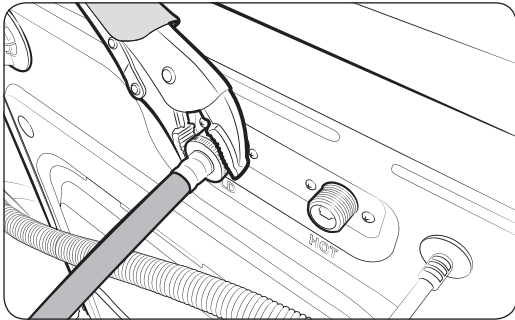
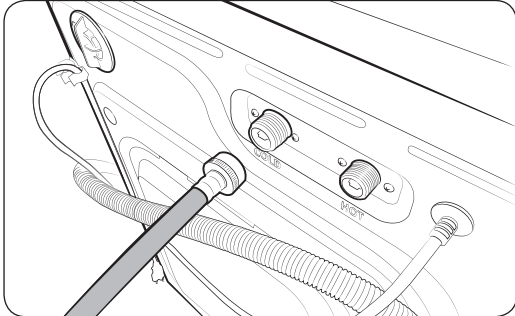
- Make sure you use a new water hoses, and there are **rubber gaskets (B)** inside the **couplings (A)** at either end of each water hose. A water hose without the gasket may leak.
- If there is a water leak, stop using the washer and contact a local Samsung service center. A water leak may cause electric shock.
- Do not stretch the water hoses by force. If a hose is too short, replace the hose with a longer, high-pressure hose.
- To prevent leaks, make sure both water hoses are not bent or kinked. A water leak may cause electric shock.

Installation



To connect the water hoses to the faucets:

1. Connect one end of each water hose to the **Hot** or **Cold** tap.
2. Turn the fittings by hand until they are tight, and then tighten them by just an additional two-thirds of a turn with a pliers. Do not overtighten the fittings. You can damage them.
3. When done, pull the water hoses up and down to check if they are properly connected.
4. Put the other ends of the hoses into a bucket and open the taps for 10-15 seconds to remove impurities. When done, close the taps.



5. Connect the other ends of the water hoses to the corresponding inlets on the rear of the machine as specified. Make sure the hot water hose is connected to the hot inlet, and the cold water hose to the cold inlet.
6. Repeat step 2 above on the other fittings. Make sure both water hoses are connected properly. See the “4C” information code for troubleshooting.
7. Open both faucets, and check if there is a leak.

NOTE

If you do not want to use the hot water hose, insert the inlet cap into the hot water inlet. In this case, you must select Tap Cold for the water temperature. All other water indicators turn off.

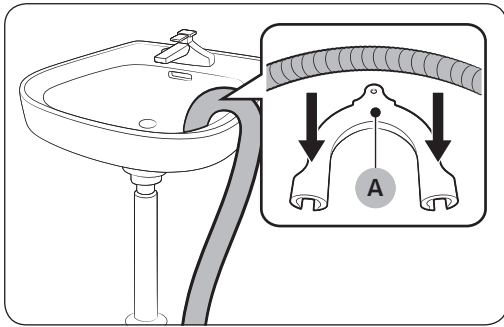
CAUTION

To prevent water hoses from being bent or kinked, make sure there is at least a 6 inch (150 mm) space between the washer and the rear wall.

Installation

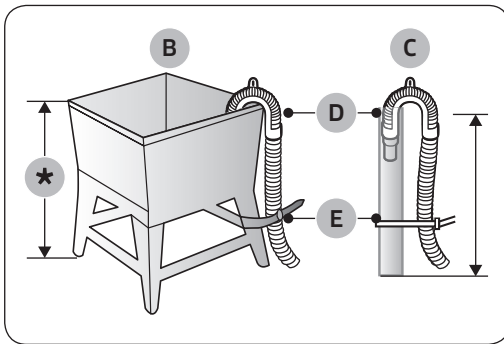
STEP 5 Position the drain hose

The drain hose can be positioned in three ways:



Over the edge of a wash basin

The drain hose must be placed at a height of between 24 in. (60 cm) and 35 in. (90 cm) from the floor. To keep the spout of the drain hose bent, use the supplied plastic **hose guide (A)**. Secure the guide to the wall using a hook to ensure stable drainage.

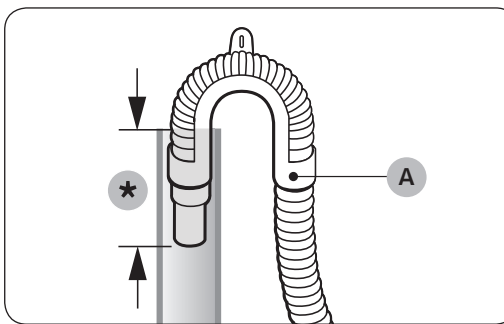


In a standpipe or laundry tub

The **laundry tub (B)** or **standpipe (C)** must be no shorter than 18 in. (46 cm) and no higher or longer than 96 inches (245 cm). Make sure the drain hose and the standpipe are not airtight.

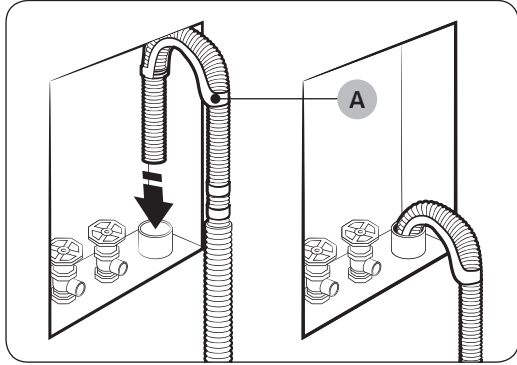
NOTE

D: Hose retainer / E: Tie straps



CAUTION

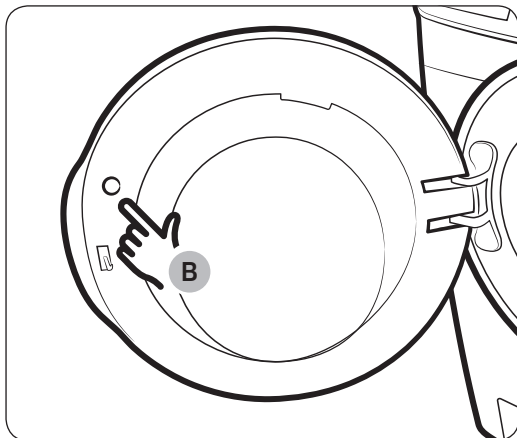
- Connect the **hose guide (A)** within 6 in. (15 cm)* of the end of the drain hose. If the drain hose is extended beyond the end of the hose guide, mold or microorganisms could spread inside the washer.
- The drain hose can be installed up to 96 in. (245 cm) high, but the draining capability can be reduced at the maximum height. Water remaining in the drain system may cause an odor.
- If the drain hose is installed less than 18 in. (46 cm) high, water can be drained during the process due to a siphon phenomenon. If this happens, a “4C” information code appears on the display.



Wall standpipe drain system

The drain hose must be placed into a wall standpipe drain system. To keep the end of the drain hose bent, use the supplied **hose guide (A)**. Secure the guide to the wall using a hook to ensure stable drainage.

STEP 6 Remove the film inside the door



Remove the **small circle film (B)** above the door latch before use.

STEP 7 Power on

Plug the power cord into an AC 120 V / 60 Hz approved electrical outlet protected by a fuse or circuit breaker. Then, press **POWER** to turn on the washer.

Before you start

Initial settings

Run Calibration (recommended)

Calibration ensures accurate weight detection by the washer. Make sure the drum is empty before running Calibration.

1. Press **POWER** to turn on the washer.
2. Press and hold **Temp.** and **Delay End** simultaneously for 3 seconds.
3. Press **START/PAUSE** to start Calibration.
 - The door is locked during the operation.
 - The drum keeps rotating clockwise and anticlockwise for several minutes.
4. When complete, the washer turns off automatically.

Laundry guidelines

STEP 1 Sort

Sort the laundry according to these criteria:

- Care Label: Sort the laundry into cottons, mixed fibres, synthetics, silks, wools, and rayon.
- Color: Separate whites from colors.
- Size: Mixing different sized items together in the drum improves the washing performance.
- Sensitivity: Wash delicate items separately. For pure, new woolen items, curtains, and silk items, check the labels on the items.

NOTE

Make sure to check the care label on all clothing, and sort clothing accordingly before starting the wash.

STEP 2 Empty pockets

Empty all the pockets of your laundry items

- Metal objects such as coins, pins, and buckles on clothing may damage other laundry items as well as the drum.

Turn clothing with buttons and embroideries inside out

- If pants or jacket zippers are open while washing, the drum may be damaged. Zippers should be closed and fixed with a string.
- Clothing with long strings may become entangled with other clothes. Make sure to tie the strings before starting the wash.

STEP 3 Use a laundry net

- Brassieres (water washable) must be placed in a laundry net. Metal parts of the brassieres may break through and tear other laundry items.
- Small, light clothing such as socks, gloves, stockings, and handkerchiefs may become caught around the door. Place them inside a fine laundry net.
- Do not wash the laundry net by itself without other laundry. This may cause abnormal vibrations that could move the washer and result in injury.

STEP 4 Prewash (if necessary)

Select the Prewash option for the selected cycle if the laundry is heavily soiled. Do not use the Prewash option if you will be adding detergent manually to the drum.

STEP 5 Determine the load capacity

Do not overload the washer. Overloading may cause the washer to wash improperly.

NOTE

When washing bedding or bedding covers, the wash time may be lengthened or the spin efficiency may be reduced.

For bedding or bedding covers, the recommended maximum spin level is “Low or Medium Spin”, and the load capacity is 3.0 kg or less.

CAUTION

If the laundry is unbalanced and the “UB” information code is displayed, redistribute the load. Unbalanced laundry may reduce the spinning performance.

STEP 6 Add the correct detergent type

The type of detergent depends on the type of fabric (cotton, synthetic, delicate items, wool), color, wash temperature, and degree of soiling. Always use “low suds” HE laundry detergent which is designed for automatic washers.

NOTE

- Follow the detergent manufacturer’s recommendations based on the weight of the laundry, the degree of soiling, and the hardness of the water in your local area. If you are not sure about the water hardness, contact a local water authority.

- Do not use detergent that tends to harden or solidify. This detergent may remain after the rinse cycle, blocking the drain outlet.

CAUTION

When washing wool using the WOOL cycle, use only a neutral liquid detergent. Powdered detergent used with the WOOL cycle can remain on the laundry and discolor it.

Use HE detergent only



Your washer is designed to use high efficiency (HE) detergents.

- For the best cleaning results, use a high efficiency detergent such as Tide HE, Wisk HE, Cheer HE or Gain HE*. High efficiency detergents contain suds suppressors that reduce or eliminate suds. When fewer suds are produced, the load tumbles more efficiently and cleaning is maximized. (* Brand names are trademarks of their respective manufacturers.)

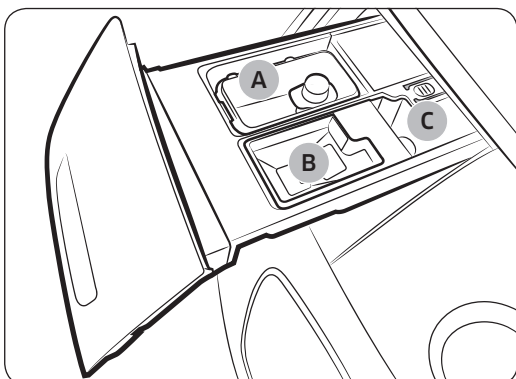
WARNING

Regular detergent is not recommended. Use HE detergents only.

Before you start

Detergent drawer guidelines

The washer provides a four-compartment dispenser: the front-left compartment for the main wash, the rear-left for pre-wash, the front-right for fabric softeners, and the rear-right for the liquid chlorine bleach.

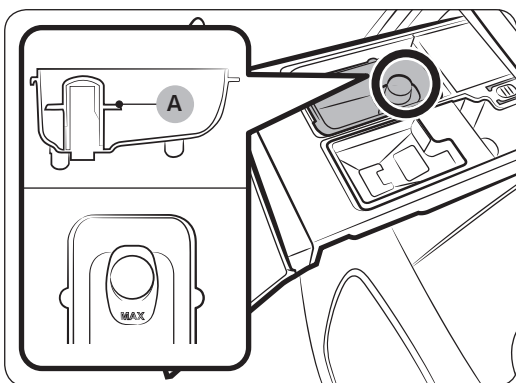


1. **Main-wash compartment (A):** Add main-wash detergent, water softener, soaking detergent, color-safe, non-chlorine bleach, and/or stain removers.
2. **Softener compartment (B):** Add fabric softener. Do not exceed the **max line**.
3. **Bleach compartment (C):** Add liquid chlorine bleach. Do not exceed the **max line**.

⚠ CAUTION

- Do not open the detergent drawer while the washer is operating.
- Do not use the following types of detergent:
 - Tablet or capsule types
 - Ball or net types
- To prevent the compartment from clogging, concentrated or highly-enriched agents (fabric softener or detergent) must be diluted with water before being added.

To add washing agents to the detergent drawer

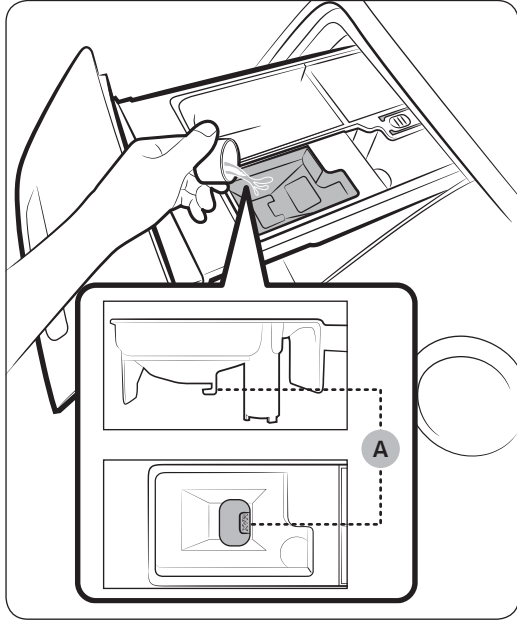


Adding liquid detergent

1. Slide open the detergent drawer.
2. Add the liquid laundry detergent to the liquid detergent container in the **main-wash compartment**. Make sure that the detergent does not exceed the marked **max line (A)**.

📄 NOTE

- Do not add powdered laundry detergent or other powdered laundry agents to the liquid laundry container.
- To use powdered detergent, see page 32.



3. Add fabric softener to the **softener compartment**. Do not exceed the **max line (A)**.

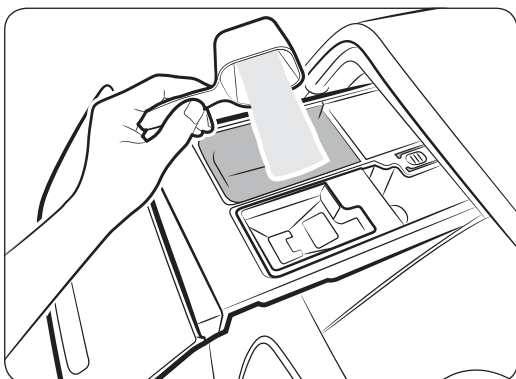
⚠ CAUTION

- Powdered fabric softener is not recommended. Use liquid fabric softener only.
 - Concentrated fabric softener must be diluted with water before being added.
 - Do not add main-wash detergent to the **softener compartment**.
4. Close the detergent drawer.

Before you start

Before you start

To use powdered detergent

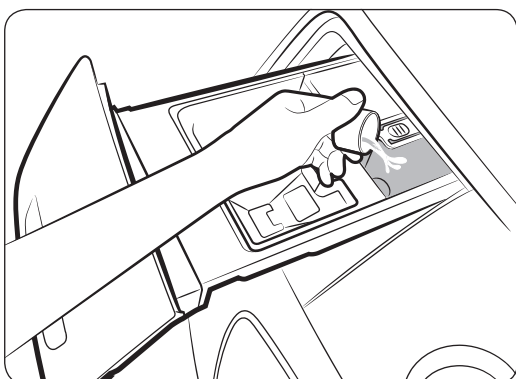


First, remove the provided liquid detergent container from the **main-wash compartment**. Then, add powdered detergent to the **main-wash compartment** according to the detergent manufacturer's instructions.

⚠ CAUTION

Do not add powdered detergent to the liquid detergent container.

To use the bleach compartment

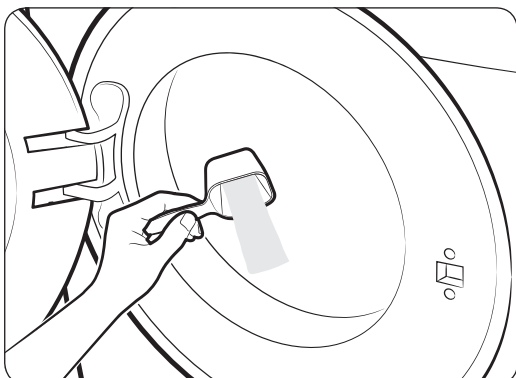


Add only liquid chlorine bleach to the **bleach compartment**. Do not exceed the **max line**.

⚠ CAUTION

Do not add undiluted liquid chlorine bleach directly to the load or to the drum. It is a powerful chemical and can cause fabric damage, such as weakening of the fibers or color loss if not use properly.

To use oxigen boosters or color-safe bleach



Oxygen boosters or color-safe bleach can increase washing performance. Make sure to add the oxygen booster or color-safe bleach after putting the laundry into the drum.

📄 NOTE

To use both powdered detergent and powdered oxygen booster or powdered color-safe bleach, it is more effective to put them together into the drum before loading the laundry.

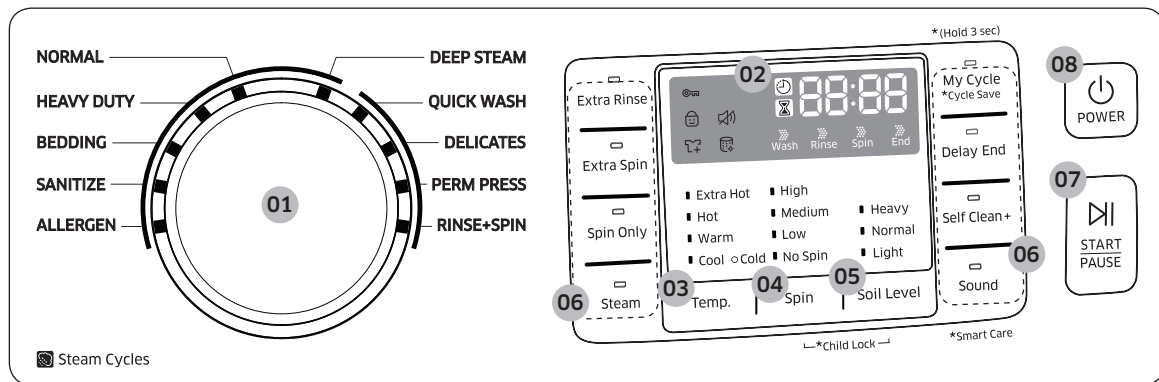
Operations

⚠ WARNING

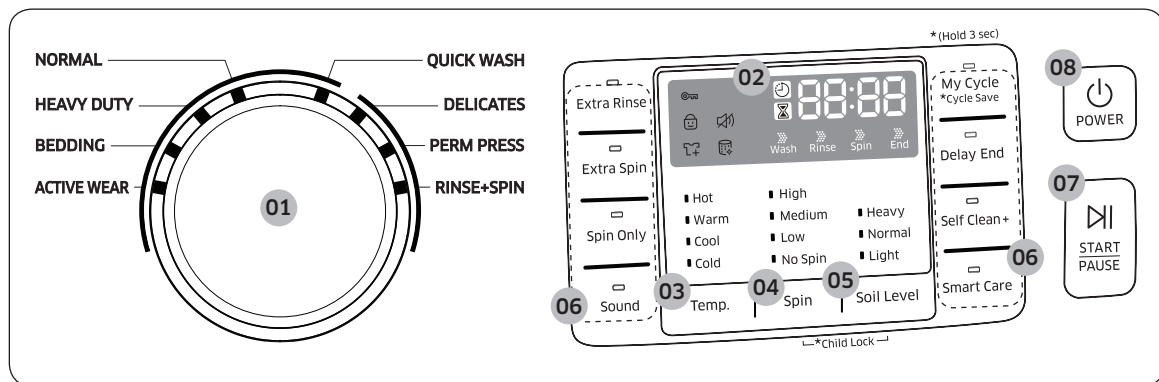
To reduce the risk of fire, electric shock, or injury to persons, read the IMPORTANT SAFETY INSTRUCTIONS before operating this appliance.

Feature panel

WF45M5500A*




WF45M5100A*



Operations

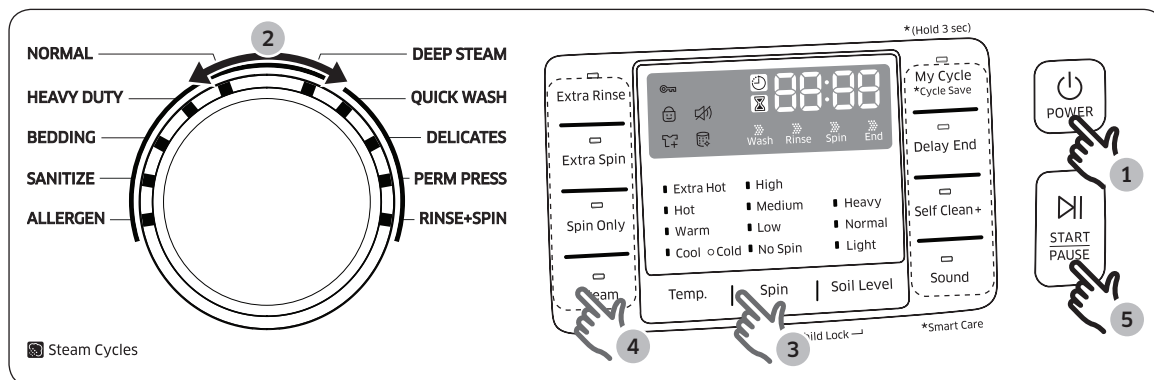
01 Cycle Selector	Turn the dial to select a cycle.
02 Display	The display shows current cycle information and estimated time remaining, or an information code if the washer needs to be checked.
03 Temp.	<p>Press to change the water temperature for the current cycle.</p> <p>WF45M5500A*</p> <ul style="list-style-type: none"> • Extra Hot: Heavily soiled, colorfast items. Only available with NORMAL, HEAVY DUTY, and SANITIZE. • Hot: Whites and heavily soiled, colorfast items. • Warm: Uses warm water only in the final rinse process. This is for energy saving purposes. • Cool: Brightly colored, very lightly soiled items. The washer supplies additional hot water or drives the heater to warm up the water if it is below 60 °F (16 °C). • Cold: Uses only cold water without driving the heater. No warm water is supplied. <p>WF45M5100A*</p> <ul style="list-style-type: none"> • Hot: Whites and heavily soiled, colorfast items. • Warm: Uses warm water only in the final rinse process. This is for energy saving purposes. • Cool: Brightly colored, very lightly soiled items. The washer supplies additional hot water or drives the heater to warm up the water if it is below 60 °F (16 °C). • Cold: Uses only cold water without driving the heater. No warm water is supplied.

<p>04 Spin</p>	<p>Press to change the spinning speed for the current cycle.</p> <ul style="list-style-type: none"> • High: Underwear, t-shirts, jeans and sturdy cottons. • Medium: Jeans, wrinkle-free or wash-and-wear items and synthetics. • Low: Delicate items that requires a lower spinning speed. • No Spin: The drum does not spin after the final drain process. • Rinse Hold (No lamp turns on): The final rinse process is suspended so that the laundry remains in the water. To unload the laundry, run a drain or spin process. <p> NOTE</p> <p>Spin Only: This cycle runs the spinning process. With the cycle time on the display, press Spin repeatedly until a desired spinning speed is selected. Then, press START/PAUSE to start the cycle. This cycle is available only when no specific cycle is selected.</p>
<p>05 Soil Level</p>	<p>Press the button to select the soil level/washing time.</p> <ul style="list-style-type: none"> • Heavy: For heavily soiled loads. • Normal: For moderately soiled loads. This setting is best for most loads. • Light: For lightly soiled loads.
<p>06 Options</p>	<p>Press the buttons to select different cycle options.</p>
<p>07 START/PAUSE</p>	<p>Press to Start or Pause operation.</p>
<p>08 POWER</p>	<p>Press to turn the washer on or off.</p>

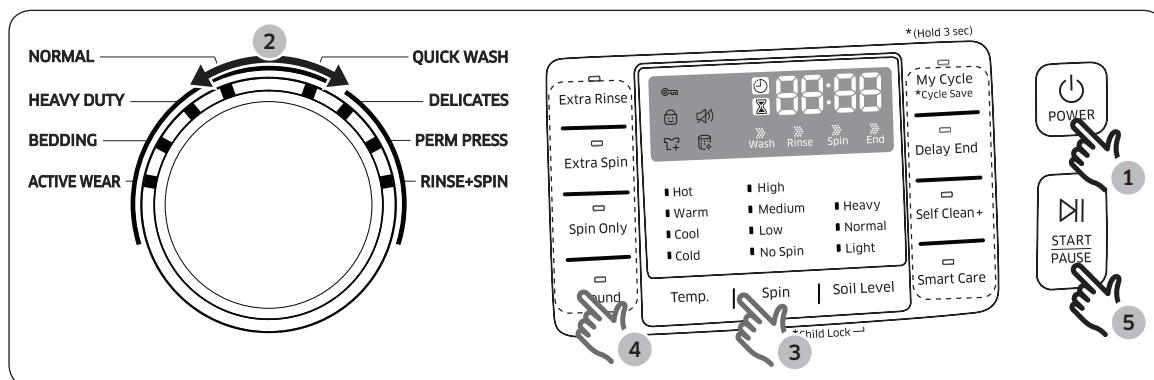
Operations

Simple steps to start

WF45M5500A*



WF45M5100A*



1. Press **POWER** to turn on the washer.
2. Turn the **Cycle Selector** to select a cycle.
3. Change the cycle settings (**Temp.**, **Spin**, and **Soil Level**) as necessary.
4. Select desired options as necessary.
5. Press **START/PAUSE**.

To change the cycle during operation

1. Press **START/PAUSE** to stop operation.
2. Select a different cycle.
3. Press **START/PAUSE** again to start the new cycle.

⚠ **WARNING**

Do not place anything on top of your washer while it is running.


Cycle overview

Standard cycles

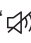
Cycle	Description
QUICK WASH	<ul style="list-style-type: none">For lightly soiled items that you want to finish washing quickly.
DELICATES	<ul style="list-style-type: none">For sheer fabrics, bras, lingerie (silk), and other handwash-only fabrics.For best performance, use liquid detergent.
PERM PRESS	<ul style="list-style-type: none">For wash-and-wear, synthetic fabrics, and lightly to normally soiled items.
RINSE+SPIN	<ul style="list-style-type: none">Features an additional rinse process after fabric softener is applied to the laundry.
ACTIVE WEAR (WF45M5100* model only)	<ul style="list-style-type: none">For exercise wear such as sports jerseys, training pants, shirts/tops and other performance clothing. This cycle provides effective soil removal with controlled drum rotation for special fabric care.

Operations

Steam cycles

Cycle	Description
DEEP STEAM (WF45M5500A* model only)	<ul style="list-style-type: none">For heavily soiled, colorfast items. This cycle uses steam and a high water temperature to effectively remove stains.
NORMAL	<ul style="list-style-type: none">For cottons, bed linens, table linens, underwear, towels, or shirts. The washing time and the number of rinses are automatically adjusted according to the load.
HEAVY DUTY	<ul style="list-style-type: none">For sturdy, colorfast fabrics and heavily soiled items.
BEDDING	<ul style="list-style-type: none">For bulky items such as comforters, blankets, and sheets.For best results, wash only 1 type of bedding.For bulky items, use liquid detergent and do not roll the items in the drum because they might get stuck in the drum.
SANITIZE (WF45M5500A* model only)	<ul style="list-style-type: none">For heavily soiled, colorfast items. This cycle heats the water to 150 °F to eliminate bacteria. <p> NOTE If you press START/PAUSE during the heating portion of SANITIZE cycle, your washer door will remain locked for your safety.</p>
ALLERGEN (WF45M5500A* model only)	<ul style="list-style-type: none">Use to remove dust mites, pet dander, or other allergic substances.

Options

Option	Description
Extra Rinse	<ul style="list-style-type: none">• Adds an additional rinse at the end of the cycle to remove laundry additives more thoroughly.
Extra Spin	<ul style="list-style-type: none">• Adds additional spin time to remove more water from loads.
Spin Only	<ul style="list-style-type: none">• Press to run the Spin cycle of a selected course only.
Steam	<ul style="list-style-type: none">• Press this button to use the Steam function. Steam is available with the NORMAL, HEAVY DUTY, BEDDING, SANITIZE, DEEP STEAM and ALLERGEN. For heavily soiled, colorfast items, the Steam function improves stain treatment and uses less water. (only for WF45M5500A* model)
Sound	<ul style="list-style-type: none">• Press to mute the washer. No alarm or melody will sound except for the diagnostic checking beep and the indicator “” lights up. To unmute, press the button again.
My Cycle	<ul style="list-style-type: none">• Create your own washing cycle with preferred settings and use the cycle with a single button push.
Delay End	<ul style="list-style-type: none">• Set the washer to finish your wash automatically at a later time. Choose a delay of between 1 to 24 hours (in 1 hour increments).
Self Clean+	<ul style="list-style-type: none">• Cleans the drum by removing dirt and bacteria from the drum.• Perform once every 40 washes with no detergent or bleach added.• Make sure the drum is empty.• Do not add any drum cleaning agents.
Smart Care	<ul style="list-style-type: none">• This function enables you to check the status of the washing machine using a smartphone.

Operations

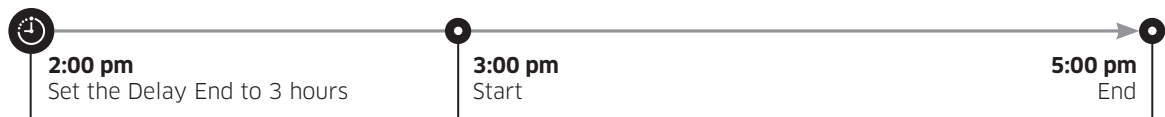
Delay End

You can set the washer to finish your wash automatically at a later time by choosing a delay of between 1 to 24 hours (in 1 hour increments). The hour displayed indicates the time the wash will finish.

1. Select a cycle. Then, change the cycle settings if necessary.
2. Press **Delay End** repeatedly until a desired end time is set.
3. Press **START/PAUSE**. The 🕒 indicator turns on with the clock running.
4. To cancel **Delay End**, restart the washer by pressing **POWER**.

Real-life case

You want to finish a two-hour cycle 3 hours from now. To do this, you add the Delay End option to the current cycle with a 3-hour setting, and then press **START/PAUSE** at 2:00 pm. The washer starts operating at 3:00 pm and ends at 5:00 pm. Provided below is the time line for this example.



Steam

With the Steam cycle, the washer senses the weight of the load and controls the steam effect according to the load size. This improves washing performance.

Available Steam cycles are: NORMAL, HEAVY DUTY, BEDDING, SANITIZE, ALLERGEN, and DEEP STEAM.

1. Turn the **Cycle Selector** to select a Steam cycle.
2. Press **Steam**.
3. Add detergent and fabric softener as instructed.
4. Press **START/PAUSE** to start the cycle.

NOTE

- Steam may not be visible or present during the cycle. This is normal.
- Unlike other Steam cycles, you don't need to press **Steam** for DEEP STEAM as the Steam function turns on automatically.

Child Lock

To prevent accidents by children or infants, Child Lock locks all buttons except for the **Power** button.

To activate Child Lock

- Press and hold both **Soil Level** and **Spin** for 3 seconds. Then, press **START/PAUSE** to activate. The door locks and the Child Lock indicator turns on.

To deactivate Child Lock temporarily

- You can deactivate Child Lock temporarily for 1 minute. To do this, press and hold both **Soil Level** and **Spin** for 3 seconds. The door is unlocked for 1 minute and the Child Lock indicator blinks.

NOTE

- If you open the door 1 minute after deactivating Child Lock, an alarm sounds for up to 2 minutes.
- If you close the door within 2 minutes, the door locks and Child Lock is reactivated. If you do not close the door or the door is not properly closed, the alarm keeps sounding for 2 minutes.
- To add laundry after activating Child Lock, deactivate Child Lock or restart the washer.

To cancel Child Lock

- Press and hold both **Soil Level** and **Spin** for 6 seconds. The door unlocks and the Child Lock indicator turns off.

My Cycle

Create your own washing cycle with preferred settings and use the cycle with the push of a single button.

To create your own cycle

1. Turn the **Cycle Selector** to select a cycle.
2. Change the cycle settings (**Temp.**, **Spin**, and **Soil Level**) as necessary.
3. Add an option to your preference. For more information, see the “**Options**” section.
4. Press and hold **My Cycle** for 3 seconds to save your settings. Applicable indicators blink for 3 seconds. Once you save the cycle, you can use it by pressing **My Cycle**.

NOTE

If you press and release **My Cycle** within 3 seconds, the previously saved cycle and options appear.

Sound

Mute or unmute the sound.

- The Sound Off function can be selected during all cycles.

Operations

ATC (Auto Temperature Control)

ATC enables the washer to control water temperatures in each washing cycle using the internal thermistor. It is designed to maintain certain washing temperatures for best results.

NOTE

- If you select NORMAL or HEAVY DUTY, you may notice the washer supplying cold water. This is normal because the machine is designed to reduce power consumption.
- In these cycles, the Hot temperature is similar to bath-water temperatures, and the Warm temperature to comfortable swimming pool temperatures.
- To wash clothes at a specific temperature, you must choose a different cycle first.

Maintenance

Keep the washer clean to prevent its performance from deteriorating and to preserve it throughout its life cycle.

WARNING

Control board, heat sink, motor, inlet valve and pump are intentionally not grounded and may present a risk of electric shock only during servicing.

Self Clean+

Perform this cycle regularly to clean the drum and to remove bacteria from it.

1. Make sure the drum is empty.
2. Press **POWER** to turn on the washer.
3. Press **Self Clean+**.
4. Press **START/PAUSE**.

NOTE

- The water temperature for Self Clean+ is set to Extra Hot, which cannot be changed. (only for WF45M5500A* model)
- The water temperature for Self Clean+ is set to Hot, which cannot be changed. (only for WF45M5100A* model)

CAUTION

Do not use any cleaning agents. Do not add detergent or bleach. Chemical residue in the drum degrades the cleaning performance.

Self Clean+ reminder

- The **Self Clean+** reminder appears on the main screen once every 40 washes. It is advisable to perform the **Self Clean+** regularly.
- If you do not run the cycle within 1 hour when the **Self Clean+** reminder appears, the reminder turns off automatically.
- When you first see this reminder, you can ignore the reminder for 6 consecutive washes. From the 7th wash, the reminder no longer appears. However, it appears again on the second 40th wash.

Maintenance

Smart Care

The Smart Care function helps you diagnose and troubleshoot your washer if it has a problem. To enable this function, you must first download the Samsung Smart Washer app from the Play Store or the Apple Store, and install it on a mobile device that has a camera. The Smart Washer Smart Care function has been optimized for: Galaxy and iPhone series devices. (It is not supported by some models.)

As the washer operates, it runs its self-diagnosis function in the background. If it senses a problem, it displays an information code on the display which you can scan using the app's Smart Care function. The Smart Care function will then display detailed information about the code.

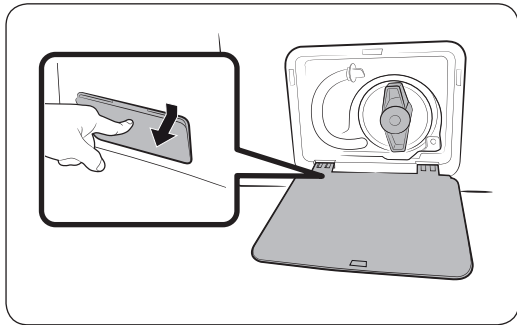
1. To enable the Smart Care function.
 - Press and hold **Sound** on the washer for 3 seconds to enter the Smart Care mode. (only for WF45M5500A* model)
 - Press **Smart Care** button to enter the Smart Care mode. (only for WF45M5100A* model)
2. Run the Samsung Smart Washer app on your mobile device, and tap **Smart Care**.
3. Hold the mobile device so that the mobile device and the washer's display panel face each other. The app will recognize the information code automatically.
4. When the information code is recognized correctly, the app provides detailed information about the symptom and recommends further action.

NOTE

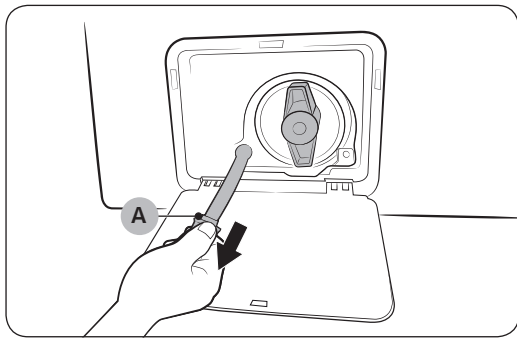
- The function name, Smart Care, may differ depending on your language.
- If the washer display is reflecting light, the app may fail to recognize the information code.
- If the app fails to recognize the Smart Care code a number of times consecutively, enter the information code manually onto the app screen.

Emergency drain

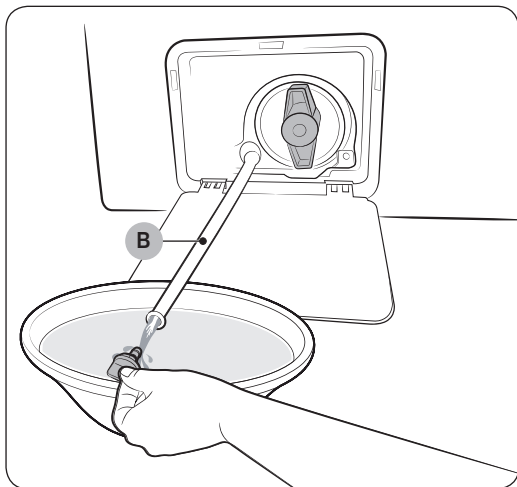
In case of a power failure, drain the water inside the drum before taking out the laundry.



1. Power off the washer, and then unplug it from the electrical outlet.
2. Gently press the top area of the **filter cover** to open.



3. Put an empty, spacious container around the cover, and stretch the **emergency drain tube** to the container while holding the **tube cap (A)**.



4. Open the **tube cap** and let water in the **Emergency drain tube (B)** flow into the container.
5. When done, close the **tube cap**, and reinsert the tube. Then, close the **filter cover**.

NOTE

Use a spacious container because the water in the drum may be more than expected.

Maintenance

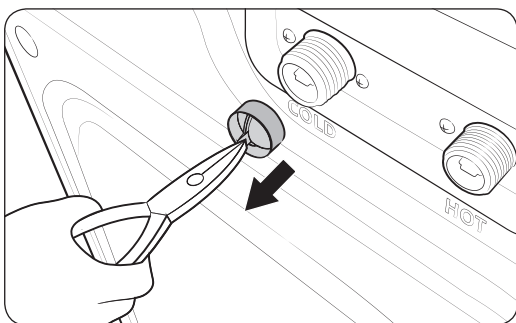
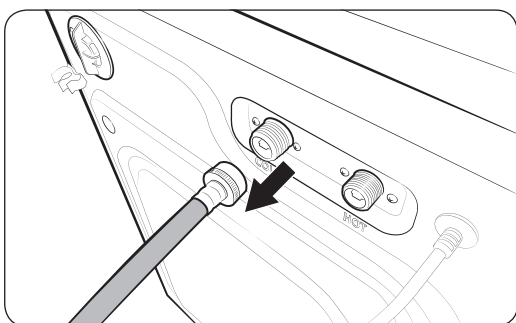
Cleaning

Surface of the washer

Use a soft cloth with a nonabrasive household detergent. Do not spray water onto the washer.

Mesh filter

Clean the mesh filter of the water hose once or twice a year.



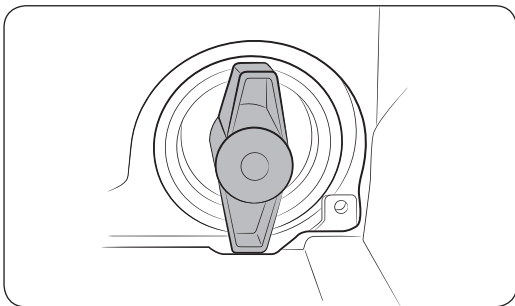
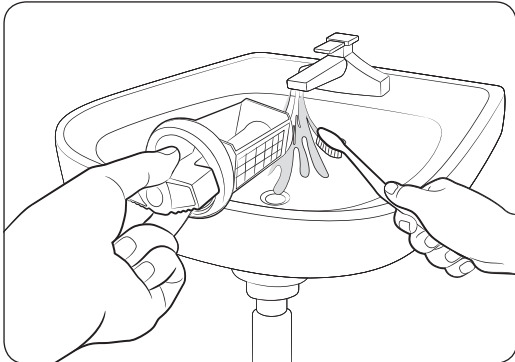
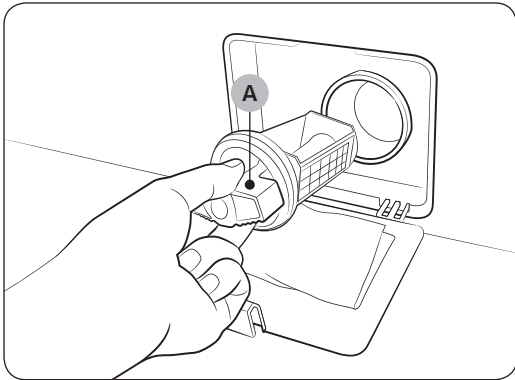
1. Turn off the washer, and then unplug the power cord.
2. Close the faucet.
3. Loosen and disconnect the water hose from the back of the washer. Cover the hose with a cloth to prevent water from gushing out.
4. Use pliers to pull out the mesh filter from the inlet valve.
5. Submerge the mesh filter deeply in water so that the threaded connector is also submerged.
6. Dry the mesh filter completely in a shaded area.
7. Reinsert the mesh filter into the inlet valve, and reconnect the water hose to the inlet valve.
8. Open the faucet.

NOTE

If the mesh filter is clogged, the “4C” information code appears on the the washer’s display screen

Pump filter

It is advisable to clean the pump filter 5 or 6 times a year to prevent its clogging. A clogged pump filter may reduce the bubble effect.



1. Turn off the washer, and unplug the power cord.
2. Drain the remaining water inside the drum. See the “Emergency drain” section on page 45.
3. Gently press the top area of the **filter cover** to open.
4. Turn the **pump filter knob (A)** to the left, and drain off the remaining water.
5. Clean the **pump filter** using a soft brush. Make sure the drain pump propeller inside the filter is not clogged.
6. Reinsert the **pump filter**, and then turn the filter knob to the right.
7. Close the **filter cover**.

NOTE

- Some pump filters feature a safety knob that is designed to prevent children from accidentally opening the filter compartment. To open the safety knob of the **pump filter**, push in and turn it counterclockwise. The spring mechanism of the safety knob helps open the filter.
- To close the safety knob of the **pump filter**, turn it clockwise. The spring makes a rattling sound, which is normal.

NOTE

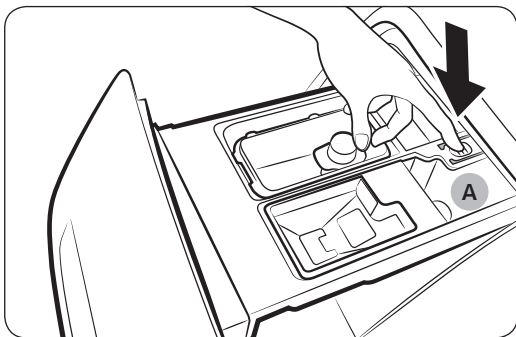
If the pump filter is clogged, the “5C” information code appears on the washer’s display screen.

Maintenance

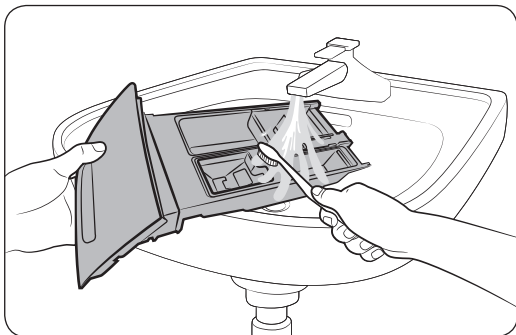
⚠ CAUTION

- Make sure the filter knob is closed properly after cleaning the filter. Otherwise, this may cause a leak.
- Make sure the filter is inserted properly after cleaning it. Otherwise, this may cause an operational failure or a leak.

Detergent drawer



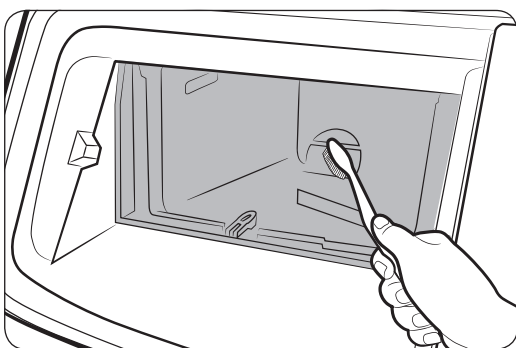
1. While holding down the **release lever (A)** inside the drawer, slide open the drawer, and then remove the drawer from the washer.
2. Remove the **liquid detergent container** from the drawer.



3. Clean the drawer components in flowing water using a soft brush.

📄 NOTE

Other parts of the drawer can also be removed. They can fall out if you hold the drawer upside down.

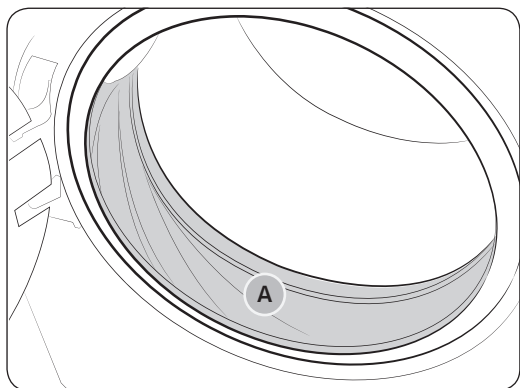


4. Clean the drawer recess using a soft brush.
5. Reinsert the **liquid detergent container** into the detergent drawer.
6. Slide the drawer into the drawer recess, and then push it inward until it is fully closed.

📄 NOTE

To remove remaining detergent, run a **RINSE+SPIN** cycle with the drum empty.

Door diaphragm



1. Open the door, and then empty the drum.
2. Combine 3/4 cups of liquid chlorine bleach and 1 gallon of warm tap water.
3. Turn over the diaphragm (A).
4. Wearing rubber gloves, use a soft, clean cloth dipped in the water and bleach solution to clean the diaphragm.
5. Let stand 5 minutes, and then wipe up and dry well.
6. Put the diaphragm back into position.

CAUTION

Use bleach carefully and be sure to follow the bleach manufacturer's use and care instructions.

Recovery from freezing

The washer may freeze when the temperature in its location drops below 32 °F (0 °C).

1. Turn off the washer, and unplug the power cord.
2. Pour warm water over the faucet to loosen the water hose.
3. Disconnect the water hose, and soak it in warm water.
4. Pour warm water into the drum and leave it for about 10 minutes.
5. Reconnect the water hose to the faucet.

NOTE

If the washer still doesn't operate normally, repeat the steps above until it operates normally.

Care against an extended time of disuse

Avoid leaving the washer unused for an extended time. However, if you intend to leave the washer unused for a long period of time, follow the directions below:

1. Press the **POWER** button, and then turn the **Cycle Selector** to **RINSE+SPIN**.
2. Empty the drum, and then press **START/PAUSE**.
3. When the cycle is complete, close the faucets and disconnect the water hoses.
4. Turn off the washer, and then unplug the power cord.
5. Open the door to let air circulate through the drum.

Maintenance

Cleaning the exterior

1. Turn off the water faucets after finishing the day's washing.
This will shut off the water supply to your washer and prevent the unlikely possibility of damage from escaping water. Leave the door open to allow the inside of your washer to dry out.
2. Use a soft cloth to wipe up all detergent, bleach, or other spills as they occur.
Clean the following as recommended below:
 - Control Panel - Clean with a soft, damp cloth. Do not use abrasive powders or cleaning pads. Do not spray cleaners directly on the panel.
 - Cabinet - Clean with soap and water.

Cleaning the interior

Clean the interior of your washer periodically to remove any dirt, soil, odor, mold, mildew, or bacterial residue that may remain in your washer as a result of washing clothes.

CAUTION

Failure to follow these instructions may result in unpleasant conditions, including odors and/or permanent stains on your washer or laundry.

NOTE

Hard water deposits may be removed, if needed. Use a cleaner labeled "Washer safe".

Troubleshooting

Checkpoints

If you encounter a problem with the washer, first check the table below and try the suggestions.

Problem	Action
Does not start.	<ul style="list-style-type: none"> • Make sure the washer is plugged in. • Make sure the door is properly closed. • Make sure the faucets are open. • Make sure to press or tap START/PAUSE to start the washer. • Make sure Child Lock is not activated. • Before the washer starts to fill, it will make a series of clicking noises to check the door lock and does a quick drain. • Check the fuse or reset the circuit breaker.
Water supply is insufficient, or no water is supplied.	<ul style="list-style-type: none"> • Fully open the faucet. • Make sure the door is properly closed. • Make sure the water supply hose is not frozen. • Make sure the water supply hose is not kinked or clogged. • Make sure there is sufficient water pressure.
After a cycle, detergent remains in the detergent drawer.	<ul style="list-style-type: none"> • Make sure the washer is running with sufficient water pressure. • Make sure the detergent is added to the center of the detergent drawer. • Make sure the rinse cap is inserted properly. • If using granular detergent, make sure the detergent selector is in the upper position. • Remove the rinse cap and clean the detergent drawer.
Excessive vibrations or makes noise.	<ul style="list-style-type: none"> • Make sure the washer is installed on a level, solid floor that is not slippery. If the floor is not level, use the levelling feet to adjust the height of the washer. • Make sure the shipping bolts are removed. • Make sure the washer is not contacting any other object. • Make sure the laundry load is balanced. • The motor can cause noise during normal operation. • Overalls or metal-decorated clothes can cause noise while being washed. This is normal. • Metal objects such as coins can cause noise. After washing, remove these objects from the drum or filter case.

Troubleshooting

Problem	Action
Does not drain and/or spin.	<ul style="list-style-type: none"> • Make sure the drain hose is neither kinked nor obstructed all the way to the drain system. If there is a drain restriction, call for service. • Make sure the debris filter is not clogged. • Close the door and press or tap START/PAUSE. For your safety, the washer will not tumble or spin unless the door is closed. • Make sure the drain hose is not frozen or clogged. • Make sure the drain hose is connected to a drain system that is not clogged. • If the washer is not supplied with sufficient power, the washer temporarily will not drain or spin. As soon as the washer regains sufficient power, it will operate normally.
The door does not open.	<ul style="list-style-type: none"> • Press or tap START/PAUSE to stop the washer. • It may take a few moments for the door lock mechanism to disengage. • The door will not open until 3 minutes after the washer has stopped or the power turned off. • Make sure all the water in the drum is drained. • The door may not open if water remains in the drum. Drain the drum and open the door manually. • Make sure the door lock light is off. The door lock light turns off after the washer has drained.
Excessive suds.	<ul style="list-style-type: none"> • Make sure you use the recommended types and amounts of detergent. • Use high efficiency (HE) detergent to prevent oversudsing. • Reduce the detergent amount for soft water, small loads, or lightly soiled loads. • Non-HE detergent is not recommended.
Cannot add additional detergent.	<ul style="list-style-type: none"> • Make sure the remaining amount of detergent and fabric softener is not over the limit.

Problem	Action
<p>The washer stops.</p>	<ul style="list-style-type: none"> • Plug the power cord into a live electrical outlet. • Check the fuse or reset the circuit breaker. • Close the door and press START/PAUSE to start the washer. For your safety, the washer will not tumble or spin unless the door is closed. • Before the washer starts to fill, it will make a series of clicking noises to check the door lock and does a quick drain. • There may be a pause or soak period in the cycle. Wait briefly and the washer may start. • Make sure the mesh filter of the water supply hose at the faucets is not clogged. Periodically clean the mesh filter. • If the washer is not supplied with sufficient power, the washer temporarily will not drain or spin. As soon as the washer regains sufficient power, it will operate normally.
<p>Fills with the wrong temperature water.</p>	<ul style="list-style-type: none"> • Fully open both taps. • Make sure the temperature selection is correct. • Make sure the hoses are connected to the correct taps. Flush water lines. • Make sure your water heater is set to supply hot water with a minimum temperature of 120 °F (49 °C) at the tap. Also, check the water heater capacity and recovery rate. • Disconnect the hoses and clean the mesh filters. The mesh filters may be clogged. • While the washer fills, the water temperature may change as the automatic temperature control feature checks incoming water temperature. This is normal. • While the washer fills, you may notice just hot and/or just cold water going through the dispenser when cold or warm temperatures are selected. This is a normal function of the automatic temperature control feature as the washer determines the water temperature.
<p>The load is wet at the end of a cycle.</p>	<ul style="list-style-type: none"> • Use the High or Extra High spin speed. • Use high efficiency (HE) detergent to reduce oversudsing. • The load is too small. Small loads (one or two items) may become unbalanced and not spin completely. • Make sure the drain hose is not kinked or clogged.

Troubleshooting

Problem	Action
Leaks water.	<ul style="list-style-type: none">• Make sure the door is properly closed.• Make sure all hose connections are tight.• Make sure the end of the drain hose is correctly inserted and secured to the drain system.• Avoid overloading.• Use high efficiency (HE) detergent to prevent oversudsing.
Has odors.	<ul style="list-style-type: none">• Excessive suds collect in recesses and can cause foul odors.• Run cleansing cycles to sanitize periodically.• Clean the door seal (diaphragm).• Dry the washer interior after a cycle has finished.
No bubbles are seen (BubbleShot models only).	<ul style="list-style-type: none">• Overloading may screen bubbles.• Severely contaminated laundry may not generate bubbles.

If a problem persists, contact a local Samsung service center.

Information codes

If the washer fails to operate, you may see an information code on the screen. Check the table below and try the suggestions.

Code	Action
1C	Check the water level sensor. <ul style="list-style-type: none">Power the washer off. Wait 2-3 minutes, power the washer on, and then try again.Depending on the model, the drain system drains water automatically. The POWER and START/PAUSE buttons may be disabled during this process.
DC	The door is open. <ul style="list-style-type: none">Close the door and press START/PAUSE to resume operation.
DC1	Check the door switch. <ul style="list-style-type: none">Power the washer off. Wait 2-3 minutes, power the washer on, and then try again.
LC	Check for water leaks. <ul style="list-style-type: none">Power the washer off, and then check the drain system for any leaks. Once the leak issue is resolved, power the washer on.Depending on the model, the drain system drains water automatically. The POWER and START/PAUSE buttons may be disabled during this process.
4C	Check the water supply line. <ul style="list-style-type: none">Check the connection to the water lines (including water taps).Power the washer off. Wait 2-3 minutes, power the washer on, and then try again.Depending on the model, the drain system drains water automatically. The POWER and START/PAUSE buttons may be disabled during this process.
4C2	Laundry needs protection because the water being supplied is too hot. <ul style="list-style-type: none">Make sure the cold and hot water taps are properly connected.Power the washer off. Wait 2-3 minutes, power the washer on, and then try again.

Troubleshooting

Code	Action
5C	<p>Check the drain system.</p> <ul style="list-style-type: none"> • Make sure the drain filter is not clogged. • If the drain filter is clogged, clean the filter, and then restart the washer.
HC	<p>Check the washing heater.</p> <ul style="list-style-type: none"> • Power off the washer, and then contact a Samsung service center.
UB	<p>Check the spinning process.</p> <ul style="list-style-type: none"> • The load may not be balanced inside the drum. Check the drum and make sure the load is balanced. • Press START/PAUSE to resume operation or power the washer off, wait 2-3 minutes, power the washer on, and then try again.
8C, 8C1, 8C2	<p>Check the MEMS sensor.</p> <ul style="list-style-type: none"> • Power the washer off. Wait 2-3 minutes, power the washer on, and then try again.
OC	<p>Water may overflow.</p> <ul style="list-style-type: none"> • Close the water valve and call for service.
3C	<p>Check the motor.</p> <ul style="list-style-type: none"> • Power the washer off. Wait 2-3 minutes, power the washer on, and then try again.
AC6	<p>Check the PBA communication status.</p> <ul style="list-style-type: none"> • Power the washer off. Wait 2-3 minutes, power the washer on, and then try again.
9C1/9C2	<p>The electronic control needs to be checked.</p> <ul style="list-style-type: none"> • Check if power is supplied properly. • If the information code remains, contact a Samsung service center.
SF	<p>System failed.</p> <ul style="list-style-type: none"> • Power off the washer, and then contact a Samsung service center.





If any information code keeps appearing on the screen, contact a local Samsung service center.

Specifications

Fabric care chart

The following symbols provide garment care direction. The clothing care labels include symbols for drying, bleaching, drying and ironing, or dry cleaning when necessary. The use of symbols ensures consistency among garment manufacturers of domestic and imported items. Follow care label directions to optimize garment life and reduce laundering problems.

Wash cycle

	Normal
	Permanent press/Wrinkle resistant/Wrinkle control
	Gentle/Delicates
	Hand wash




Water temperature

...	Hot
..	Warm
.	Cold


NOTE

This represents appropriate wash water temperatures for various items. The temperature range for Hot is 106-126 °F (41-52 °C), for Warm is 84-106 °F (29-41 °C), and for Cold is 61-84 °F (16-29 °C). Wash water temperature must be a minimum of 61 °F (16 °C) for detergent activation and effective cleaning.




Bleach

	Any bleach (when needed)
	Only non-chlorine (color-safe) bleach (when needed)
	Tumble dry






Normal

	Permanent press/Wrinkle resistant/Wrinkle control
	Gentle/Delicates

Special instructions




	Line dry/Hang to dry
	Drip dry
	Dry flat

Heat setting





	High
	Medium
	Low
	Any heat
	No heat / Air



Specifications

Iron dry or steam temperatures






	High
	Medium
	Low

Warning symbols for laundering

	Do not wash
	Do not wring
	Do not bleach
	Do not tumble dry

	No steam (added to iron)
	Do not iron

Dry-clean

	Dry-clean
	Do not dry-clean
	Line dry / Hang to dry
	Drip dry
	Dry flat

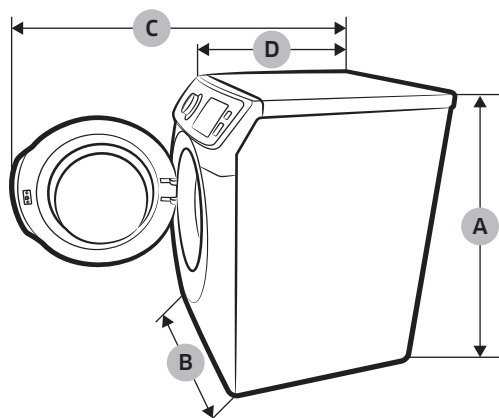
Protecting the environment

- This appliance is manufactured from recyclable materials. If you decide to dispose of it, please observe local waste disposal regulations. Cut off the power cord so that the appliance cannot be connected to a power source. Remove the lid so that animals and small children cannot get trapped inside the appliance.
- Do not exceed the detergent quantities recommended in the detergent manufacturers' instructions.
- Use stain removal products and bleaches before the wash cycle only when necessary.
- Save water and electricity by only washing full loads (the exact amount depends upon the program used).

Declaration of conformity

This appliance complies with UL2157.

Specification sheet



Type		Front loading washer		
		WF45M5500A*	WF45M5100A*	
Dimensions (inches (mm))	A. Height-overall		38.7 (984)	
	B. Width		27 (686)	
	C. Depth with door open		54.6 (1387)	
	D. Depth		34 (864)	
Water pressure (psi (kPa))			20-116 (137-800)	
NET weight (lb (kg))			218 (99)	
Spin revolution			1300 rpm	
Heater rating			900 W	-
Power consumption	Washing	120 V	200 W	200 W
	Washing and heating	120 V	1150 W	-
	Spin	120 V	550 W	550 W
	Drain	120 V	80 W	80 W

Specifications

Cycle chart

Use this chart to set the best cycle and options for you laundry.

NOTE

Setting	Temp.	Spin	Soil Level
●: factory setting	EH: Extra Hot	H: High	H: Heavy
●: can be selected	H: Hot	M: Medium	-
	W: Warm	L: Low	N: Normal
	C: Cool	NS: No Spin	-
	CD: Cold	RH: Rinse Hold	L: Light

WF45M5500A*

Cycle	Functions												
	Temp.					Spin					Soil Level		
	EH	H	W	C	CD	H	M	L	NS	RH	H	N	L
NORMAL	●	●	●	●	●	●	●	●	●	●	●	●	●
HEAVY DUTY	●	●	●	●	●	●	●	●	●	●	●	●	●
BEDDING			●	●	●		●	●	●	●	●	●	●
SANITIZE	●					●	●	●	●	●	●	●	●
ALLERGEN		●				●	●	●	●	●	●	●	●
RINSE+SPIN						●	●	●	●	●			
PERM PRESS			●	●	●	●	●	●	●	●	●	●	●
DELICATES			●	●	●			●	●	●	●	●	●
QUICK WASH		●	●	●	●	●	●	●	●	●	●	●	●
DEEP STEAM		●				●	●	●	●	●	●		
Self Clean+	●					●							

Cycle	Options					
	Extra Rinse	Extra Spin	Spin Only	Steam	Delay End	My Cycle
NORMAL	●	●	●	●	●	●
HEAVY DUTY	●	●	●	●	●	●
BEDDING	●	●	●	●	●	●
SANITIZE	●	●	●	●	●	●
ALLERGEN	●	●	●	●	●	●
RINSE+SPIN	●	●	●		●	●
PERM PRESS	●	●	●		●	●
DELICATES	●		●		●	●
QUICK WASH	●		●		●	●
DEEP STEAM	●	●	●	●	●	●
Self Clean+					●	

Use this chart to set the best cycle and options for you laundry.

NOTE

Setting	Temp.	Spin	Soil Level
●: factory setting	H: Hot	H: High	H: Heavy
●: can be selected	W: Warm	M: Medium	-
	C: Cool	L: Low	N: Normal
	CD: Cold	NS: No Spin	-
	-	RH: Rinse Hold	L: Light

WF45M5100A*

Cycle	Functions											
	Temp.				Spin					Soil Level		
	H	W	C	CD	H	M	L	NS	RH	H	N	L
NORMAL	●	●	●	●	●	●		●	●	●	●	●
HEAVY DUTY	●	●	●	●	●	●	●	●	●	●	●	●
BEDDING		●	●	●		●	●	●	●	●	●	●
ACTIVE WEAR		●	●	●			●	●	●	●	●	●
RINSE+SPIN					●	●	●	●	●			
PERM PRESS		●	●	●	●	●	●	●	●	●	●	●
DELICATES		●	●	●			●	●	●	●	●	●
QUICK WASH	●	●	●	●	●	●	●	●	●	●	●	●
Self Clean+	●				●							

Cycle	Options				
	Extra Rinse	Extra Spin	Spin Only	Delay End	My Cycle
NORMAL	●	●	●	●	●
HEAVY DUTY	●	●	●	●	●
BEDDING	●	●	●	●	●
ACTIVE WEAR	●	●	●	●	●
RINSE+SPIN	●	●	●	●	●
PERM PRESS	●	●	●	●	●
DELICATES	●		●	●	●
QUICK WASH	●		●	●	●
Self Clean+				●	

Specifications

Warranty (U.S.A)

SAMSUNG WASHER

LIMITED WARRANTY TO ORIGINAL PURCHASER

This SAMSUNG brand product, as supplied and distributed by SAMSUNG ELECTRONICS AMERICA, INC. (SAMSUNG) and delivered new, in the original carton to the original consumer purchaser, is warranted by SAMSUNG against manufacturing defects in materials and workmanship for a limited warranty period of:

One (1) year part and labor, Three (3) years stainless tub part (Part Only), Ten (10) years washing DD motor part (Part Only)

This limited warranty begins on the original date of purchase, and is valid only on products purchased and used in the United States. To receive warranty service, the purchaser must contact SAMSUNG for problem determination and service procedures. Warranty service can only be performed by a SAMSUNG authorized service center. The original dated bill of sale must be presented upon request as proof of purchase to SAMSUNG or SAMSUNG's authorized service center. SAMSUNG will provide in-home service during the warranty period at no charge, subject to availability within the contiguous United States. In-home service is not available in all areas.

To receive in-home service, product must be unobstructed and accessible to the service agent. If service is not available, SAMSUNG may elect to provide transportation of the product to and from an authorized service center.

SAMSUNG will repair, replace, or refund this product at our option and at no charge as stipulated herein, with new or reconditioned parts or products if found to be defective during the limited warranty period specified above. All replaced parts and products become the property of SAMSUNG and must be returned to SAMSUNG. Replacement parts and products assume the remaining original warranty, or ninety (90) days, whichever is longer. This limited warranty covers manufacturing defects in materials and workmanship encountered in normal, noncommercial use of this product and shall not apply to the following: damage that occurs in shipment; delivery and installation; applications and uses for which this product was not intended; altered product or serial numbers; cosmetic damage or exterior finish; accidents, abuse, neglect, fire, water, lightning, or other acts of nature or God; use of products, equipment, systems, utilities, services, parts, supplies, accessories, applications, installations, repairs, external wiring or connectors not supplied or authorized by SAMSUNG that damage this product or result in service problems; incorrect electrical line voltage, fluctuations and surges; customer adjustments and failure to follow operating instructions, maintenance and environmental instructions that are covered and prescribed in the instruction book; product removal and reinstallation; problems caused by pest infestations. This limited warranty does not cover problems resulting from incorrect electric current, voltage or supply, light bulbs, house fuses, house wiring, cost of a service call for instructions, or fixing installation errors. SAMSUNG does not warrant uninterrupted or error-free operation of the product.

EXCEPT AS SET FORTH HEREIN, THERE ARE NO WARRANTIES ON THIS PRODUCT EITHER EXPRESS OR IMPLIED, AND SAMSUNG DISCLAIMS ALL WARRANTIES INCLUDING, BUT NOT LIMITED TO, ANY IMPLIED WARRANTIES OF MERCHANTABILITY, INFRINGEMENT OR FITNESS FOR A PARTICULAR PURPOSE.

Warranty (U.S.A)

NO WARRANTY OR GUARANTEE GIVEN BY ANY PERSON, FIRM, OR CORPORATION WITH RESPECT TO THIS PRODUCT SHALL BE BINDING ON SAMSUNG. SAMSUNG SHALL NOT BE LIABLE FOR LOSS OF REVENUE OR PROFITS, FAILURE TO REALIZE SAVINGS OR OTHER BENEFITS, OR ANY OTHER SPECIAL, INCIDENTAL OR CONSEQUENTIAL DAMAGES CAUSED BY THE USE, MISUSE, OR INABILITY TO USE THIS PRODUCT, REGARDLESS OF THE LEGAL THEORY ON WHICH THE CLAIM IS BASED, AND EVEN IF SAMSUNG HAS BEEN ADVISED OF THE POSSIBILITY OF SUCH DAMAGES.

NOR SHALL RECOVERY OF ANY KIND AGAINST SAMSUNG BE GREATER IN AMOUNT THAN THE PURCHASE PRICE OF THE PRODUCT SOLD BY SAMSUNG AND CAUSING THE ALLEGED DAMAGE. WITHOUT LIMITING THE FOREGOING, PURCHASER ASSUMES ALL RISK AND LIABILITY FOR LOSS, DAMAGE, OR INJURY TO PURCHASER AND PURCHASER'S PROPERTY AND TO OTHERS AND THEIR PROPERTY ARISING OUT OF THE USE, MISUSE, OR INABILITY TO USE THIS PRODUCT. THIS LIMITED WARRANTY SHALL NOT EXTEND TO ANYONE OTHER THAN THE ORIGINAL PURCHASER OF THIS PRODUCT, IS NONTRANSFERABLE AND STATES YOUR EXCLUSIVE REMEDY.

Some states do not allow limitations on how long an implied warranty lasts, or the exclusion or limitation of incidental or consequential damages, so the above limitations or exclusions may not apply to you. This warranty gives you specific rights, and you may also have other rights, which vary from state to state.

To obtain warranty service, please contact SAMSUNG at:

Samsung Electronics America, Inc.

85 Challenger Road

Ridgefield Park, NJ 07660

1-800-SAMSUNG (726-7864)

www.samsung.com/us/support

Visits by a Service Engineer to explain functions, maintenance, or installation are not covered by warranty.

Please contact your Samsung call agent for help with any of these issues.

Warranty (CANADA)

SAMSUNG WASHER

LIMITED WARRANTY TO ORIGINAL PURCHASER

This SAMSUNG brand product, as supplied and distributed by SAMSUNG ELECTRONICS CANADA, INC. (SAMSUNG) and delivered new, in the original carton to the original consumer purchaser, is warranted by SAMSUNG against manufacturing defects in materials and workmanship for a limited warranty period of:

One (1) year part and labor, Ten (10) years washing DD motor (Part only)

This limited warranty begins on the original date of purchase, and is valid only on products purchased and used in the Canada. To receive warranty service, the purchaser must contact SAMSUNG for problem determination and service procedures. Warranty service can only be performed by a SAMSUNG authorized service center. The original dated bill of sale must be presented upon request as proof of purchase to SAMSUNG or SAMSUNG's authorized service center. SAMSUNG will provide in-home service during the warranty period at no charge, subject to availability within the Canada. In-home service is not available in all areas.

To receive in-home service, product must be unobstructed and accessible to the service agent. If service is not available, SAMSUNG may elect to provide transportation of the product to and from an authorized service center.

Warranty (CANADA)

SAMSUNG will repair, replace, or refund this product at our option and at no charge as stipulated herein, with new or reconditioned parts or products if found to be defective during the limited warranty period specified above. All replaced parts and products become the property of SAMSUNG and must be returned to SAMSUNG. Replacement parts and products assume the remaining original warranty, or ninety (90) days, whichever is longer. This limited warranty covers manufacturing defects in materials and workmanship encountered in normal, noncommercial use of this product and shall not apply to the following: damage that occurs in shipment; delivery and installation; applications and uses for which this product was not intended; altered product or serial numbers; cosmetic damage or exterior finish; accidents, abuse, neglect, fire, water, lightning, or other acts of nature or God; use of products, equipment, systems, utilities, services, parts, supplies, accessories, applications, installations, repairs, external wiring or connectors not supplied or authorized by SAMSUNG that damage this product or result in service problems; incorrect electrical line voltage, fluctuations and surges; customer adjustments and failure to follow operating instructions, maintenance and environmental instructions that are covered and prescribed in the instruction book; product removal and reinstallation; problems caused by pest infestations. This limited warranty does not cover problems resulting from incorrect electric current, voltage or supply, light bulbs, house fuses, house wiring, cost of a service call for instructions, or fixing installation errors. SAMSUNG does not warranty uninterrupted or error-free operation of the product.

EXCEPT AS SET FORTH HEREIN, THERE ARE NO WARRANTIES ON THIS PRODUCT EITHER EXPRESS OR IMPLIED, AND SAMSUNG DISCLAIMS ALL WARRANTIES INCLUDING, BUT NOT LIMITED TO, ANY IMPLIED WARRANTIES OF MERCHANTABILITY, INFRINGEMENT OR FITNESS FOR A PARTICULAR PURPOSE.

NO WARRANTY OR GUARANTEE GIVEN BY ANY PERSON, FIRM, OR CORPORATION WITH RESPECT TO THIS PRODUCT SHALL BE BINDING ON SAMSUNG. SAMSUNG SHALL NOT BE LIABLE FOR LOSS OF REVENUE OR PROFITS, FAILURE TO REALIZE SAVINGS OR OTHER BENEFITS, OR ANY OTHER SPECIAL, INCIDENTAL OR CONSEQUENTIAL DAMAGES CAUSED BY THE USE, MISUSE, OR INABILITY TO USE THIS PRODUCT, REGARDLESS OF THE LEGAL THEORY ON WHICH THE CLAIM IS BASED, AND EVEN IF SAMSUNG HAS BEEN ADVISED OF THE POSSIBILITY OF SUCH DAMAGES.

NOR SHALL RECOVERY OF ANY KIND AGAINST SAMSUNG BE GREATER IN AMOUNT THAN THE PURCHASE PRICE OF THE PRODUCT SOLD BY SAMSUNG AND CAUSING THE ALLEGED DAMAGE. WITHOUT LIMITING THE FOREGOING, PURCHASER ASSUMES ALL RISK AND LIABILITY FOR LOSS, DAMAGE, OR INJURY TO PURCHASER AND PURCHASER'S PROPERTY AND TO OTHERS AND THEIR PROPERTY ARISING OUT OF THE USE, MISUSE, OR INABILITY TO USE THIS PRODUCT. THIS LIMITED WARRANTY SHALL NOT EXTEND TO ANYONE OTHER THAN THE ORIGINAL PURCHASER OF THIS PRODUCT, IS NONTRANSFERABLE AND STATES YOUR EXCLUSIVE REMEDY.

Some provinces do not allow limitations on how long an implied warranty lasts, or the exclusion or limitation of incidental or consequential damages, so the above limitations or exclusions may not apply to you.

This warranty gives you specific rights, and you may also have other rights, which vary from province to province.

To obtain warranty service, please contact SAMSUNG at:

Samsung Electronics Canada Inc.

2050 Derry Road West,

Mississauga, Ontario L5N 0B9 Canada

1-800-SAMSUNG (726-7864)

www.samsung.com/ca/support (English)

www.samsung.com/ca_fr/support (French)

FAX : 1-866-436-4617

Visits by a Service Engineer to explain functions, maintenance, or installation are not covered by warranty.

Please contact your Samsung call agent for help with any of these issues.



Scan the QR code* or visit
www.samsung.com/spsn
 to view our helpful
 How-to Videos and Live Shows

*Requires reader to be installed on your smartphone

Scan this with your smartphone

QUESTIONS OR COMMENTS?

COUNTRY	CALL	OR VISIT US ONLINE AT
U.S.A	1-800-SAMSUNG (726-7864) 1-844-SAM-PAYS (726-7297)	www.samsung.com/us/support
CANADA	1-800-SAMSUNG(726-7864) 1-844-SAM-PAYS (726-7297)	www.samsung.com/ca/support (English) www.samsung.com/ca_fr/support (French)



DC68-03773A-03

A black and white artistic photograph of water splashing, creating a dynamic and textured background. The water droplets are captured in mid-air, creating a sense of movement and freshness. The lighting highlights the individual droplets and the overall spray, giving it a soft, ethereal quality.

Lave-linge

Manuel d'utilisation

WF45M5500A*/WF45M5100A*

SAMSUNG

Sommaire

Consignes de sécurité	4
Remarques importantes sur les consignes de sécurité	4
Symboles de sécurité importants	4
Consignes de sécurité importantes	5
Avertissements importants concernant l'installation	6
Mises en garde pour l'installation	8
Avertissements importants concernant l'utilisation	8
Mises en garde concernant l'utilisation	10
Avertissements importants concernant le nettoyage	13
Installation	14
Déballage de votre lave-linge	14
Ce qui est inclus	15
Conditions d'installation	17
Installation étape par étape	22
Avant de démarrer	28
Réglages initiaux	28
Instructions de lavage	28
Consignes pour le tiroir à lessive	30
Opérations	33
Panneau de fonctions	33
Étapes simples pour démarrer	36
Présentation des cycles	37
Maintenance	43
Auto-nettoyage+	43
Smart Care	44
Vidange d'urgence	45
Nettoyage	46
Reprise après congélation	49
Entretien en cas d'inutilisation prolongée	49
Nettoyer l'extérieur	50
Nettoyer l'intérieur	50

Dépannage	51
Contrôles	51
Codes d'information	55
Caractéristiques techniques	57
Tableau des symboles textiles	57
Protection de l'environnement	58
Déclaration de conformité	58
Fiche de caractéristiques techniques	59
Tableau des cycles	60
Garantie (ÉTATS-UNIS)	62



Consignes de sécurité

Félicitations pour l'achat de votre nouveau lave-linge Samsung. Ce manuel contient de précieuses informations concernant l'installation, l'utilisation et l'entretien de votre appareil. Prenez le temps de le lire afin de tirer pleinement profit de tous les avantages et les fonctionnalités qu'offre votre lave-linge.

Remarques importantes sur les consignes de sécurité

Veuillez lire attentivement ce manuel afin d'utiliser efficacement votre appareil en toute sécurité et de profiter pleinement de toutes ses fonctionnalités. Conservez ce manuel dans un endroit sûr situé à proximité de l'appareil afin de pouvoir facilement vous y reporter en cas de besoin. N'utilisez pas cet appareil autrement que pour l'usage auquel il est destiné, conformément aux consignes de ce manuel. Les consignes de sécurité et les avertissements décrits dans ce manuel ne sont pas exhaustifs. Il est de votre responsabilité de faire preuve de bon sens, de prudence et de discernement lors de l'installation, de l'entretien ou de l'utilisation de votre lave-linge.

Ces consignes d'utilisation couvrant plusieurs modèles, il se peut que les caractéristiques de votre lave-linge diffèrent légèrement de celles décrites dans ce manuel ; ainsi, certaines icônes d'avertissement peuvent ne pas s'appliquer à votre lave-linge. Pour toute question ou doute, contactez votre centre de service le plus proche ou connectez-vous sur www.samsung.com.

Symboles de sécurité importants

Signification des icônes et signes repris dans ce manuel d'utilisation :

AVERTISSEMENT

Risques ou pratiques inadaptées susceptibles de causer des blessures graves, la mort et/ou des dommages matériels.

ATTENTION

Risques ou pratiques inadaptées susceptibles de causer des blessures et/ou des dommages matériels.

REMARQUE

Indique la présence d'un risque de blessures ou de dommages matériels

Ces symboles d'avertissement ont pour but d'éviter tout risque de blessure corporelle, pour vous ou d'autres personnes.

Respectez-les en toutes circonstances.

Lisez attentivement ce manuel et conservez-le en lieu sûr afin de pouvoir le consulter ultérieurement.

Lisez attentivement toutes les consignes avant d'utiliser l'appareil.

Comme avec tout équipement électrique ou comportant des parties mobiles, il existe un certain nombre de dangers potentiels. Pour utiliser cet appareil en toute sécurité, familiarisez-vous avec son fonctionnement et restez prudent lorsque vous l'employez.

CONSERVEZ SOIGNEUSEMENT CES CONSIGNES



Consignes de sécurité importantes

AVERTISSEMENT

Afin de réduire les risques d'incendie, d'électrocution ou de blessures physiques lors de l'utilisation de l'appareil, des précautions de base doivent être prises :

1. Lisez attentivement toutes les consignes avant d'utiliser l'appareil.
2. Ne lavez et ne faites sécher aucun article ayant été en contact de quelque manière que ce soit (nettoyage, lavage, trempage ou tache) avec de l'essence, des solvants de nettoyage à sec ou toute autre substance inflammable ou explosive. Ces substances dégagent en effet des vapeurs qui risquent de s'enflammer ou d'exploser.
3. Ne laissez pas les enfants jouer sur ou dans l'appareil. Une surveillance attentive s'impose lorsque l'appareil est utilisé à proximité d'enfants.
4. Avant la mise hors service ou au rebut de l'appareil, retirez le hublot du compartiment de lavage ou de séchage.
5. Ne tentez pas d'ouvrir l'appareil lorsque le tambour est en mouvement.
6. N'installez et n'entreposez jamais cet appareil dans un endroit exposé aux intempéries.
7. Ne jouez pas avec les commandes de l'appareil.
8. Ne procédez pas à la réparation ou au remplacement des pièces de l'appareil et ne tentez pas non plus de le réparer par vous-même, sauf si le manuel de maintenance ou de réparation par l'utilisateur contient des recommandations spécifiques en la matière que vous comprenez et êtes en mesure d'exécuter.
9. N'ajoutez jamais d'essence, de solvant de nettoyage à sec ou d'autres substances inflammables ou explosives dans l'eau du lave-linge. Ces substances dégagent en effet des vapeurs qui risquent de s'enflammer ou d'exploser.
10. Dans certaines conditions, de l'hydrogène peut être dégagé dans les systèmes d'eau chaude qui n'ont pas été utilisés depuis au moins 2 semaines. L'HYDROGÈNE EST UN GAZ EXPLOSIF. Si votre système d'eau chaude n'a pas été utilisé pendant au moins deux semaines, ouvrez tous les robinets d'eau chaude de votre maison et laissez l'eau couler plusieurs minutes avant d'utiliser votre lave-linge ou votre lave-linge/sèche linge combinés. Cela permettra d'éliminer l'éventuelle accumulation d'hydrogène. L'hydrogène étant un gaz inflammable ; ne fumez pas et ne créez aucune flamme ni étincelle pendant cette opération.

CONSERVEZ SOIGNEUSEMENT CES CONSIGNES



Consignes de sécurité

Avertissements importants concernant l'installation

Avertissement concernant la proposition 65 de l'État de la Californie (États-Unis uniquement)

Cet appareil contient des produits chimiques connus de l'État de la Californie pour causer le cancer et des anomalies congénitales ou des effets nocifs sur la reproduction.

L'installation de cet appareil doit être effectuée par un technicien ou un centre de service qualifié.

- Le non-respect de cette consigne peut entraîner une électrocution, un incendie, une explosion, des problèmes avec l'appareil ou des blessures.

Cet appareil étant très lourd ; prenez toutes les précautions nécessaires pour le soulever.

Branchez le cordon d'alimentation à une prise murale qui respecte les caractéristiques techniques électriques locales. Utilisez la prise uniquement pour cet appareil et n'utilisez pas de rallonge.

- Le fait de partager une prise murale avec d'autres appareils à l'aide d'une multiprise ou d'une rallonge peut entraîner une électrocution ou un incendie.
- Assurez-vous que la tension, la fréquence et le courant d'alimentation sont identiques à ceux inscrits sur les caractéristiques techniques de l'appareil. Le non-respect de cette consigne peut entraîner une électrocution ou un incendie. Branchez fermement la fiche d'alimentation dans la prise murale.

Éliminez régulièrement toute eau, poussière ou corps étranger au niveau des prises murales et zones de contact à l'aide d'un chiffon sec.

- Débranchez la fiche d'alimentation et nettoyez-la à l'aide d'un chiffon sec.
- Le non-respect de cette consigne peut entraîner une électrocution ou un incendie.

Branchez la fiche d'alimentation dans la prise murale de sorte que le cordon pende en direction du sol.

- Si vous branchez la fiche d'alimentation sur la prise dans l'autre sens, les fils électriques à l'intérieur du câble peuvent être endommagés, entraînant un risque d'électrocution ou d'incendie.

Conservez tous les matériaux d'emballage hors de la portée des enfants car ils pourraient être dangereux.

- Si un enfant met un sac en plastique sur sa tête, il risque de s'asphyxier.

CONSERVEZ SOIGNEUSEMENT CES CONSIGNES



Si la fiche d'alimentation, le cordon d'alimentation ou l'appareil est endommagé(e), contactez le centre de service le plus proche.

Cet appareil doit être correctement mis à la terre.

Ne reliez pas le conducteur de terre de l'appareil à un tuyau de gaz, un conduit d'eau en plastique ou une ligne téléphonique.

- Cela présenterait des risques d'électrocution, d'incendie, d'explosion ou de dysfonctionnement.
- Ne branchez jamais le cordon d'alimentation sur une prise qui n'est pas correctement reliée à la terre et assurez-vous de sa conformité aux réglementations locales et nationales en vigueur.

N'installez jamais cet appareil près d'un radiateur ou de matériaux inflammables.

N'installez pas cet appareil dans un endroit humide, huileux ou poussiéreux, dans un endroit exposé directement au soleil ou à l'eau (de pluie).

N'installez pas cet appareil dans une pièce exposée à de basses températures.

- Le gel risquerait de faire éclater les tuyaux.

N'installez pas l'appareil dans un lieu où une fuite de gaz est susceptible de se produire.

- Cela pourrait entraîner une électrocution ou un incendie.

N'utilisez pas de transformateur électrique.

- Cela pourrait entraîner une électrocution ou un incendie.

N'utilisez pas de prise ou de cordon d'alimentation endommagé(e) ou de prise murale mal fixée.

- Cela pourrait entraîner une électrocution ou un incendie.

Ne tirez pas et ne pliez pas excessivement le cordon d'alimentation.

Ne vrillez pas et n'attachez pas le cordon d'alimentation.

N'accrochez pas le cordon d'alimentation sur un objet métallique, ne posez pas d'objet lourd sur le cordon d'alimentation, ne l'insérez pas entre des objets et ne le coincez pas dans l'espace situé derrière l'appareil.

- Cela pourrait entraîner une électrocution ou un incendie.

Ne tirez pas sur le cordon d'alimentation pour le débrancher.

- Débranchez le cordon en tenant la prise.
- Le non-respect de cette consigne peut entraîner une électrocution ou un incendie.

L'appareil doit être positionné de telle manière que la prise de courant, les robinets d'arrivée d'eau et les tuyaux d'évacuation restent accessibles en permanence.

CONSERVEZ SOIGNEUSEMENT CES CONSIGNES

Consignes de sécurité

Mises en garde pour l'installation

ATTENTION

Cet appareil doit être positionné de façon à permettre l'accès à la prise d'alimentation.

- Le non-respect de cette consigne peut entraîner une électrocution en cas de fuites de courant.

Installez l'appareil sur un sol plan et solide, capable de supporter son poids.

- Le non-respect de cette consigne peut entraîner des vibrations, des mouvements et des bruits anormaux ou des problèmes avec l'appareil.

Avertissements importants concernant l'utilisation

AVERTISSEMENT

En cas d'inondation, coupez immédiatement l'alimentation en eau et l'alimentation électrique et contactez votre centre de service le plus proche.

- Ne touchez pas la prise d'alimentation avec des mains mouillées.
- Vous risqueriez de vous électrocuter.

Si l'appareil émet des bruit anormaux ou dégage une odeur de brûlé ou de la fumée, débranchez-le immédiatement et contactez votre centre de service le plus proche.

- Le non-respect de cette consigne peut entraîner une électrocution ou un incendie.

En cas de fuite de gaz (propane, gaz LP, etc.) ventilez immédiatement sans toucher à la prise d'alimentation. Ne touchez pas l'appareil ou le cordon d'alimentation.

- N'utilisez pas de ventilateur.
- Une étincelle peut entraîner une explosion ou un incendie.

Ne laissez pas les enfants jouer sur ou dans le lave-linge. Avant de vous débarrasser de votre lave-linge, démontez-en le hublot

- Afin d'éviter qu'un enfant ne se fasse piéger à l'intérieur de la machine.

Assurez-vous de retirer l'emballage (mousse, polystyrène) fixé au bas du lave-linge avant d'utiliser celui-ci.

Ne lavez jamais de linge ayant été en contact avec de l'essence, du kérosène, du benzène, des diluants de peinture ou toute autre substance inflammable ou explosive.

- Risque d'électrocution, d'incendie ou d'explosion.

CONSERVEZ SOIGNEUSEMENT CES CONSIGNES

Ne forcez pas l'ouverture du hublot pendant le fonctionnement de l'appareil (lavage à haute température/séchage/essorage).

- Une fuite peut entraîner des brûlures ou rendre le sol glissant. Cela pourrait entraîner des blessures.
- L'ouverture forcée du hublot peut entraîner des dommages sur l'appareil et des blessures.

N'insérez pas votre main sous le lave-linge lorsque la machine est en cours de fonctionnement.

- Cela pourrait entraîner des blessures.

Ne touchez pas la prise d'alimentation avec des mains mouillées.

- Cela pourrait entraîner une électrocution.

Ne débranchez pas l'appareil si celui-ci est en cours de fonctionnement.

- Le fait de rebrancher la prise d'alimentation dans la prise murale peut provoquer une étincelle et entraîner une électrocution ou un incendie.

Ne laissez pas les enfants ou les personnes handicapées utiliser ce lave-linge sans une surveillance adéquate. Ne laissez pas les enfants monter dans ou sur l'appareil.

- Cela pourrait entraîner une électrocution, des brûlures ou des blessures.

N'insérez pas votre main ou un objet métallique sous le lave-linge pendant son fonctionnement.

- Cela pourrait entraîner des blessures.

Ne débranchez pas l'appareil en tirant le cordon d'alimentation. Tenez toujours fermement la prise et tirez-la tout droit de la prise murale.

- Un cordon d'alimentation endommagé risque de provoquer un court-circuit, un incendie ou une électrocution.

Ne tentez pas de réparer, de démonter ou de modifier l'appareil vous-même.

- N'utilisez pas de fusible (cuivre, fil d'acier, etc.) autres que le fusible standard.
- Lorsque l'appareil doit être réparé ou réinstallé, contactez votre centre de service le plus proche.
- Le non-respect de cette consigne peut entraîner une électrocution, un incendie, des problèmes avec le produit ou des blessures.

Si le tuyau d'arrivée d'eau se déconnecte du robinet et inonde l'appareil, débranchez le lave-linge.

- Le non-respect de cette consigne peut entraîner une électrocution ou un incendie.

Débranchez la prise d'alimentation lorsque l'appareil n'est pas utilisé pendant des périodes prolongées ou lors d'orages violents.

- Le non-respect de cette consigne peut entraîner une électrocution ou un incendie.

CONSERVEZ SOIGNEUSEMENT CES CONSIGNES

Consignes de sécurité

Si une substance étrangère pénètre dans l'appareil, débranchez-le et contactez le service clientèle Samsung le plus proche.

- Cela pourrait entraîner une électrocution ou un incendie.

Ne laissez pas les enfants (ou les animaux domestiques) jouer sur ou dans votre lave-linge. Le hublot du lave-linge ne s'ouvre pas facilement de l'intérieur ; un enfant peut donc se blesser gravement s'il est enfermé dans l'appareil.

Mises en garde concernant l'utilisation

ATTENTION

Si le lave-linge est contaminé par des corps étrangers (ex. : détergent, saletés, déchets alimentaires etc.), débranchez-le et nettoyez-le à l'aide d'un chiffon doux humide.

- À défaut, une décoloration, une déformation, des dommages ou de la rouille peuvent apparaître.

La vitre du hublot peut être endommagée par un impact fort. Utilisez le lave-linge avec précaution.

- Si la vitre du hublot est endommagée, il existe un risque de blessure.

Après une interruption d'arrivée d'eau ou en rebranchant le tuyau d'arrivée d'eau au robinet, ouvrez celui-ci lentement.

Ouvrez le robinet d'arrivée d'eau lentement après une période prolongée de non-utilisation.

- La pression d'air dans le tuyau d'arrivée d'eau ou la canalisation d'eau peut entraîner des dommages à certaines pièces ou une fuite d'eau.

En cas de vidange défectueuse durant un cycle, vérifiez s'il y a un problème de vidange.

- En cas d'inondation (problème de vidange), il existe un risque d'électrocution ou d'incendie.

Introduisez complètement le linge dans le lave-linge afin qu'il ne reste pas coincé dans le hublot.

- Si du linge reste coincé dans le hublot, il peut être endommagé, ainsi que le lave-linge, ou une fuite d'eau peut survenir.

Coupez l'alimentation en eau lorsque le lave-linge n'est pas en cours d'utilisation.

- Assurez-vous que les vis sur le raccord du tuyau d'arrivée d'eau sont correctement serrées.

Veillez à ce que le joint en caoutchouc et la vitre du hublot ne soient pas contaminés par des substances étrangères (ex. : déchets, fils, cheveux, etc.).

- Si des substances étrangères sont prises dans le hublot, celui-ci ne pourra pas fermer correctement et risque de provoquer des fuites.

CONSERVEZ SOIGNEUSEMENT CES CONSIGNES

Ouvrez le robinet et vérifiez que le raccord du tuyau d'arrivée d'eau est fermement serré et qu'il n'y a aucune fuite d'eau avant d'utiliser l'appareil.

- Si les vis sur le raccord du tuyau d'arrivée d'eau sont desserrées, des fuites peuvent se produire.

Le produit que vous avez acheté est prévu pour une utilisation domestique uniquement.

L'utilisation à des fins professionnelles est considérée comme une utilisation non conforme du produit. Dans ce cas, le produit ne sera pas couvert par la garantie standard prévue par Samsung et Samsung ne saura en aucun cas être tenu pour responsable en cas de dysfonctionnements ou dommages résultant d'une utilisation non conforme.

Ne montez pas sur l'appareil et ne placez pas d'objets (tels que linge, bougies allumées, cigarettes allumées, vaisselle, produits chimiques, objets métalliques, etc.) sur l'appareil.

- Cela pourrait causer une électrocution, un incendie, des problèmes avec l'appareil ou des blessures.

Ne pulvérisez pas de matières volatiles telles que de l'insecticide sur la surface de l'appareil.

- En plus d'être nocives pour l'être humain, elles peuvent également entraîner une électrocution, un incendie ou des problèmes avec l'appareil.

Ne placez pas d'objets générant un champ électromagnétique à proximité du lave-linge.

- Ceci pourrait entraîner des blessures résultant de dysfonctionnements.

L'eau vidangée durant un cycle de séchage ou de lavage à haute température est chaude. Ne touchez pas cette eau.

- Cela pourrait entraîner des brûlures ou des blessures.

Ne lavez pas, n'essorez pas et ne séchez pas de sièges, de tapis ou de vêtements imperméables (*), sauf si votre appareil possède un cycle spécial pour ce genre d'articles.

(*) : Linge de lit en laine, vêtements de pluie, veste de pêche, pantalons de ski, sacs de couchage, protections de langes, vêtements de sudation, de cyclisme, de motocyclisme, bâches automobiles, etc.

- Ne lavez pas de tapis épais ou durs même s'ils portent le sigle lave-linge sur leur étiquette d'entretien. Risque de vibrations anormales, de blessures ou de dégâts matériels (lave-linge, murs, sol ou linge).
- Ne lavez pas les lingettes jetables ou les paillasons ayant des dos en caoutchouc. Les dos en caoutchouc sont susceptibles de se détacher et d'adhérer à l'intérieur du tambour, ce qui pourrait entraîner un dysfonctionnement tel qu'une erreur de vidange.

Ne faites jamais fonctionner le lave-linge sans le tiroir à lessive.

- Ceci pourrait entraîner une électrocution ou des blessures résultant de la fuite d'eau.

CONSERVEZ SOIGNEUSEMENT CES CONSIGNES

Consignes de sécurité

Ne touchez pas l'intérieur du tambour alors qu'il est chaud, durant ou juste après le séchage.

- Cela pourrait entraîner des brûlures.

N'insérez pas votre main dans le tiroir à lessive.

- Ceci pourrait entraîner des blessures si votre main reste bloquée par le système d'arrivée de lessive.
- N'utilisez pas le compartiment à lessive liquide (modèles concernés uniquement) pour de la lessive en poudre. Retirez le compartiment lorsque vous utilisez de la lessive en poudre.

Ne placez pas d'objets (tels que chaussures, déchets alimentaires, animaux) autres que du linge dans le lave-linge.

- Ceci pourrait endommager le lave-linge ou provoquer des vibrations anormales entraînant des blessures, voire la mort dans le cas d'animaux domestiques.

N'actionnez pas les boutons à l'aide d'objets tranchants tels que des aiguilles, des couteaux, les ongles etc.

- Cela pourrait entraîner une électrocution ou des blessures.

Ne lavez pas de linge entré en contact avec des huiles, crèmes ou lotions utilisées dans les salons de beauté ou de massage.

- Ceci pourrait provoquer une déformation du joint en caoutchouc, entraînant des fuites d'eau.

Ne laissez pas d'objets métalliques (ex. : épingles de sûreté, à cheveux, etc.) ou d'agent de blanchiment dans le tambour pendant des périodes prolongées.

- Ceci pourrait entraîner l'apparition de rouille sur le tambour.
- Si de la rouille commence à se former à la surface du tambour, appliquez un produit de nettoyage (neutre) et frottez à l'aide d'une éponge. N'utilisez jamais de brosse métallique.

N'utilisez pas directement de solvants de nettoyage à sec et ne lavez, ne rincez et n'essorez pas de linge entré en contact avec des solvants de nettoyage à sec.

- Risque de combustion ou d'inflammation spontanée résultant de la chaleur dégagée par l'oxydation de l'huile.

N'utilisez pas d'eau provenant d'appareils de refroidissement/de réchauffement d'eau.

- Ceci pourrait entraîner des dysfonctionnements du lave-linge.

N'utilisez pas de savon naturel pour les mains dans le lave-linge.

- Risque de dysfonctionnement, de décoloration, d'oxydation ou de dégagement de mauvaises odeurs.

Placez les chaussettes et les soutiens-gorge dans un filet de lavage et lavez-les avec le reste du linge.

Ne lavez pas d'articles de grande taille tels que du linge de lit dans un filet de lavage.

- Dans le cas contraire, des vibrations anormales peuvent se produire et engendrer des blessures.

CONSERVEZ SOIGNEUSEMENT CES CONSIGNES

N'utilisez pas de détergent solidifié.

- S'il s'accumule dans le lave-linge, des fuites d'eau peuvent en résulter.

Assurez-vous que toutes les poches des vêtements à laver sont vides.

- Les objets durs et pointus, comme les pièces de monnaie, les épingles de sûreté, les clous, les vis ou les pierres, peuvent occasionner d'importants dégâts à l'appareil.

Évitez de laver des vêtements comportant de grandes boucles, des boutons ou d'autres accessoires en métal lourd.

Triez le linge par couleur en fonction de la solidité de la teinture et sélectionnez le cycle, la température de l'eau et les fonctions supplémentaires recommandées.

- Cela pourrait entraîner une décoloration ou une détérioration des tissus.

Veillez à ce que les doigts des enfants ne soient pas pris dans le hublot lorsque vous la fermez.

- Le non-respect de cette consigne peut entraîner des blessures.

Avertissements importants concernant le nettoyage

AVERTISSEMENT

Ne nettoyez pas l'appareil en pulvérisant directement de l'eau dessus.

N'utilisez pas de produit nettoyant agressif.

N'utilisez pas de benzène, de diluant ou d'alcool pour nettoyer l'appareil.

- Cela pourrait entraîner des décolorations, des déformations, des dommages, une électrocution ou un incendie.

Avant d'effectuer un nettoyage ou une opération de maintenance, débranchez le cordon d'alimentation de la prise murale.

- Le non-respect de cette consigne peut entraîner une électrocution ou un incendie.

CONSERVEZ SOIGNEUSEMENT CES CONSIGNES

Installation

Suivez attentivement ces instructions afin de garantir la bonne installation du lave-linge et d'éviter des accidents lors de son utilisation.

⚠ AVERTISSEMENT

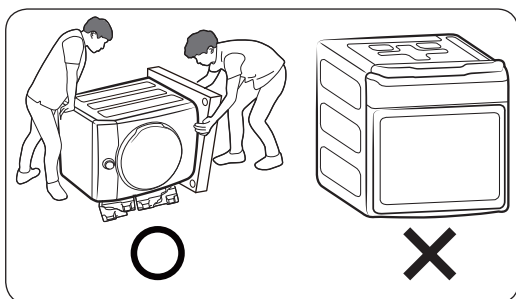
Carte de circuits, dissipateur thermique, le moteur, soupape d'admission et la pompe ne sont volontairement pas mis à la terre et peuvent présenter un risque de décharge électrique, seulement lors de l'entretien.

Déballage de votre lave-linge

Déballer votre lave-linge et vérifiez qu'il n'a pas été endommagé pendant le transport. Vérifiez que vous disposez de tous les éléments illustrés ci-dessous. Si votre lave-linge a été endommagé pendant le transport ou si vous ne disposez pas de tous les éléments, appelez immédiatement le 1-800-SAMSUNG (1-800-726-7864). Afin de prévenir tout risque de blessures, munissez-vous de gants de protection pour soulever ou porter le lave-linge.

⚠ AVERTISSEMENT

Tenez tous les matériaux d'emballage (sacs plastique, polystyrène, etc.) hors de portée des enfants.



⚠ ATTENTION

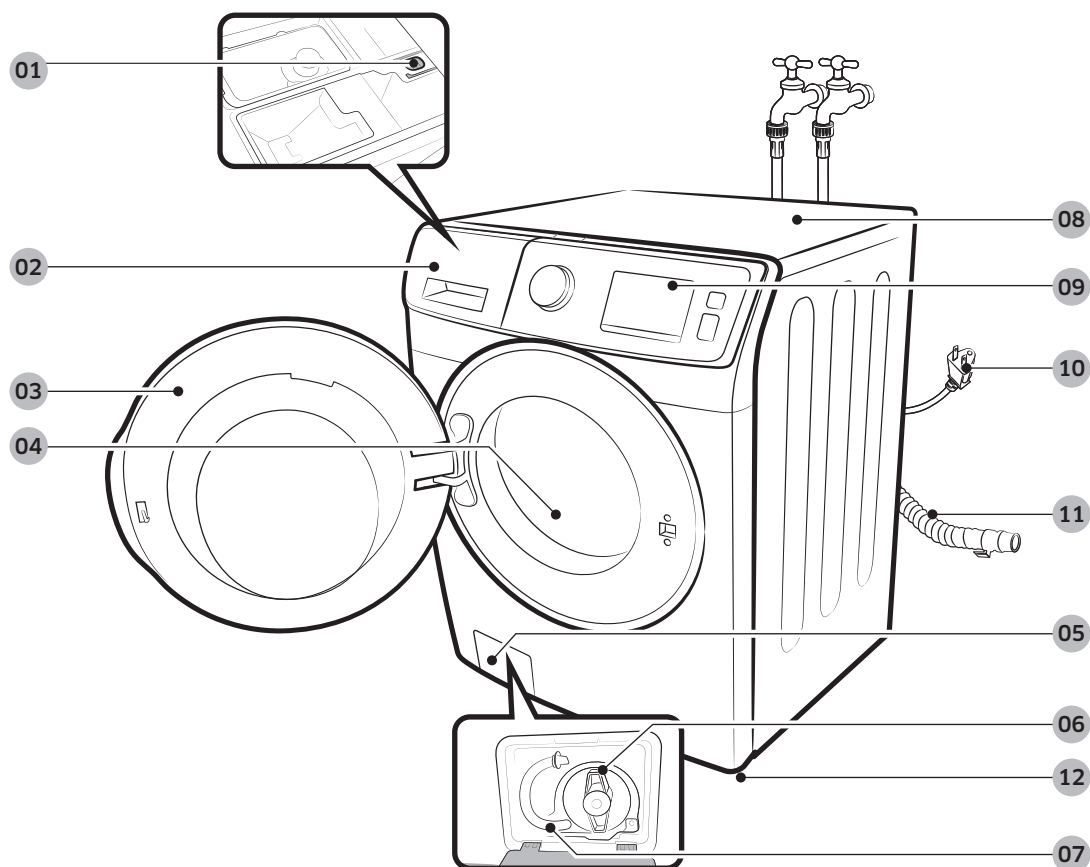
Lors du déballage du lave-linge, il est nécessaire d'être 2. Pour retirer le cache du bas des matériaux d'emballage, n'inclinez pas l'appareil sur l'avant.

Lorsque vous couchez le lave-linge au sol pour retirer le fond du carton, protégez le côté de l'appareil et couchez-le avec précaution.

Ne posez jamais le lave-linge sur la façade avant ou arrière.

Ce qui est inclus

Assurez-vous que toutes les pièces sont incluses dans l'emballage de l'appareil. Si vous rencontrez un problème avec le lave-linge ou les pièces, contactez un centre d'assistance clientèle Samsung local ou le magasin.



01 Manette d'ouverture

02 Tiroir à lessive

03 Hublot

04 Tambour

05 Cache du filtre

06 Filtre de la pompe

07 Tuyau de vidange d'urgence

08 Dessus du lave-linge

09 Panneau de commande

10 Prise d'alimentation

11 Tuyau de vidange

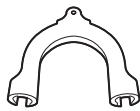
12 Pieds réglables

Installation

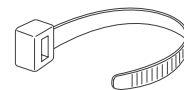
Pièces fournies



Cache-boulons

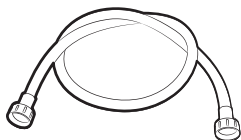


Guide du tuyau de vidange

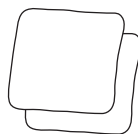


Colliers de fixation

Pièces non fournies

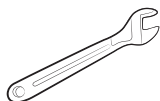


Tuyaux d'eau
(vendus séparément)

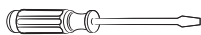


Patins antidérapants
(vendus séparément)

Outils requis pour l'installation



Clé



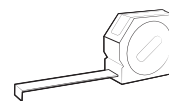
Tournevis
cruciforme



Niveau



Pince réglable



Mètre ruban

REMARQUE

- Cache-boulons : Le nombre de cache-boulons fournis (de 3 à 6) dépend du modèle.
- L'apparence du lave-linge et des accessoires fournis peut différer selon le modèle.
- Pour acheter un accessoire ou une pièce perdue, prenez contact avec un centre de service Samsung local ou avec le magasin.
- Vous pouvez acheter l'adaptateur Smart Home Adapter uniquement sur le site Web de Samsung (www.samsung.com).

ATTENTION

- Ne réutilisez pas de vieux tuyaux d'eau qui peuvent fuir ou éclater, ce qui entraînerait une inondation et/ou des dégâts matériels.
- Assurez-vous que les rondelles en caoutchouc sont insérées dans chaque raccord des tuyaux d'eau.

Conditions d'installation

Alimentation électrique et mise à la terre

- Un fusible ou un disjoncteur 120 V CA / 60 Hz est requis.
- Utilisez un circuit de dérivation individuel.

Branchez uniquement le lave-linge sur le circuit.

Afin d'assurer la bonne mise à la terre de l'appareil, le lave-linge est équipé d'un cordon d'alimentation doté d'une prise à 3 broches avec conducteur de terre destinée à être branché sur une prise murale correctement installée et reliée à la terre.

En cas de doute, demandez à un électricien qualifié ou à un réparateur de vérifier si l'appareil est correctement mis à la terre.

Ne modifiez pas la prise fournie. Si elle ne rentre pas dans la prise, appelez un électricien qualifié pour installer une prise appropriée.

AVERTISSEMENT

- N'utilisez PAS de rallonge avec cet appareil.
- Utilisez uniquement le cordon d'alimentation fourni avec votre lave-linge.
- Ne reliez PAS un conducteur de terre à une plomberie en plastique, un conduit de gaz ou un conduit d'eau chaude.
- Un mauvais branchement des conducteurs peut entraîner une électrocution.
- Pour prévenir tout risque d'incendie, d'électrocution ou de blessure, l'intégralité du câblage et des mises à la terre doit être réalisée conformément aux réglementations locales ou, en l'absence de ces dernières, au code électrique national (National Electrical Code) ANSI/NFPA dernière révision n°70 (pour les États-Unis) ou aux dispositions canadiennes sur l'électricité CSA C22.1 (dernières révisions) et aux réglementations locales. Il relève de votre responsabilité de fournir un service électrique adapté à votre lave-linge.

Arrivée d'eau

La pression d'eau appropriée pour ce lave-linge est comprise entre 20 et 116 psi (137 et 800 kPa).

Une pression d'eau inférieure à 20 psi (137 kPa) peut entraîner l'impossibilité de fermer complètement la vanne d'arrivée d'eau. Sinon, le risque est que le tambour mette plus de temps à se remplir, ce qui entraîne l'arrêt du lave-linge.

Les robinets doivent se trouver à une distance maximale de 4 pieds (122 cm) de l'arrière du lave-linge de sorte que les tuyaux d'arrivée d'eau fournis puissent atteindre le lave-linge.

Pour réduire le risque de fuites :

- Assurez-vous que les robinets sont faciles d'accès.
- Fermez les robinets d'arrivée d'eau lorsque vous n'utilisez pas le lave-linge.
- Vérifiez régulièrement l'absence de toute fuite au niveau des raccords du tuyau d'arrivée d'eau.

ATTENTION

Avant d'utiliser le lave-linge pour la première fois, vérifiez l'absence de fuites au niveau des raccords avec la vanne d'arrivée d'eau et les robinets.



Installation

Vidange

Samsung recommande de placer le tuyau d'évacuation mural à une hauteur de 18 pouces (46 cm). Le tuyau de vidange doit être raccordé en passant par le collier de serrage vers le tuyau d'évacuation et ce dernier doit recouvrir entièrement le tuyau de vidange.

Sol

Pour un fonctionnement optimal, le lave-linge doit être installé sur un sol stable. Si le sol est en bois, il est possible que vous deviez le renforcer afin de réduire les vibrations et les problèmes de déséquilibre.

Les moquettes ou les surfaces molles ne sont pas très résistantes aux vibrations et peuvent entraîner un léger déplacement du lave-linge durant l'essorage.

ATTENTION

N'installez PAS le lave-linge sur une plate-forme ou sur une structure instable.

Température de l'eau

N'installez pas le lave-linge dans un endroit qui risque d'être exposé au gel : il reste en effet toujours une certaine quantité d'eau dans sa vanne, sa pompe ou ses tuyaux. La présence d'eau gelée dans les pièces de raccordement peut entraîner l'endommagement des courroies, de la pompe et d'autres composants du lave-linge.

Encastrement dans une niche ou installation dans un placard

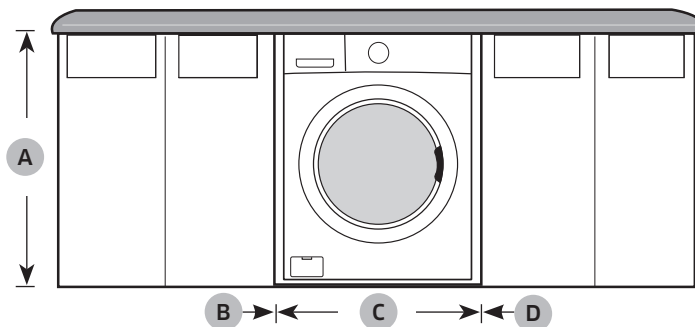
Dégagement minimal pour un fonctionnement stable :

Côtés	1 pouce (25 mm)
Haut	17 pouces (432 mm)
Arrière	5,9 pouces (150 mm)
Avant	2 pouces (51 mm)

Si vous souhaitez installer le lave-linge et un sèche-linge au même endroit, veillez à laisser un espace libre d'au moins 72 po² (465 cm²) à l'avant de la niche ou de l'armoire. Installé seul, votre lave-linge ne nécessite aucun dégagement.

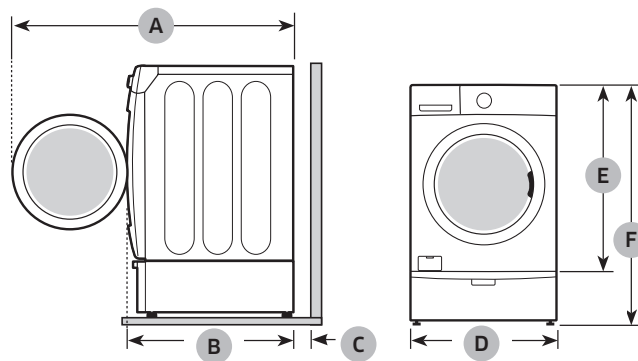


Installation sous plan



A	39 pouces (991 mm)	C	27 pouces (686 mm)
B	1 pouce (25 mm)	D	1 pouce (25 mm)

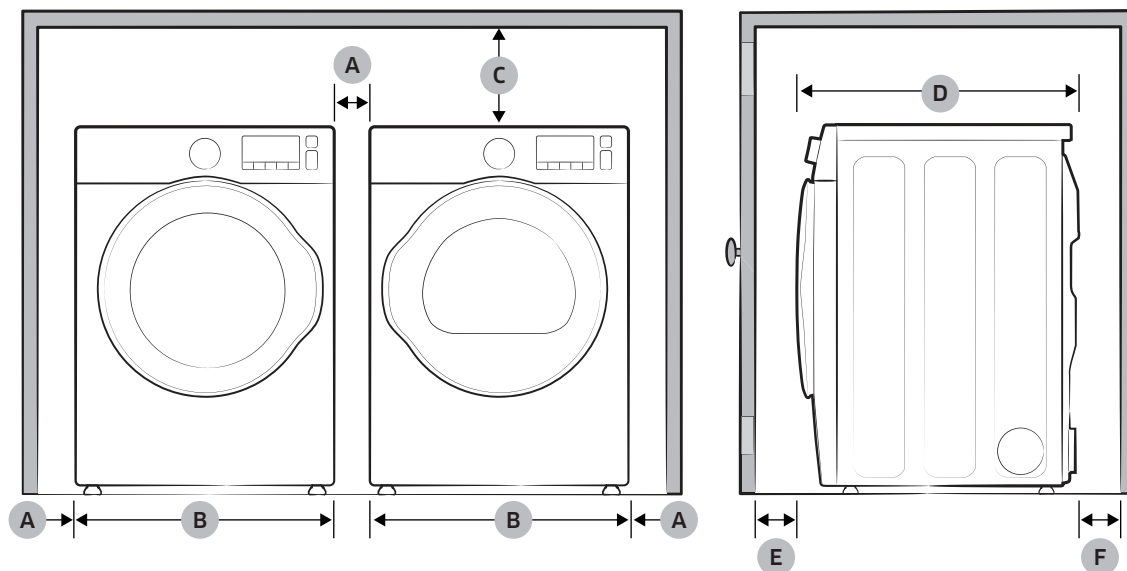
Installation sur un socle



A	54,6 pouces (1387 mm)	D	27 pouces (686 mm)
B	34 pouces (864 mm)	E	38,7 pouces (984 mm)
C	5,9 pouces (150 mm)	F	53,4 pouces (1356 mm)

Installation

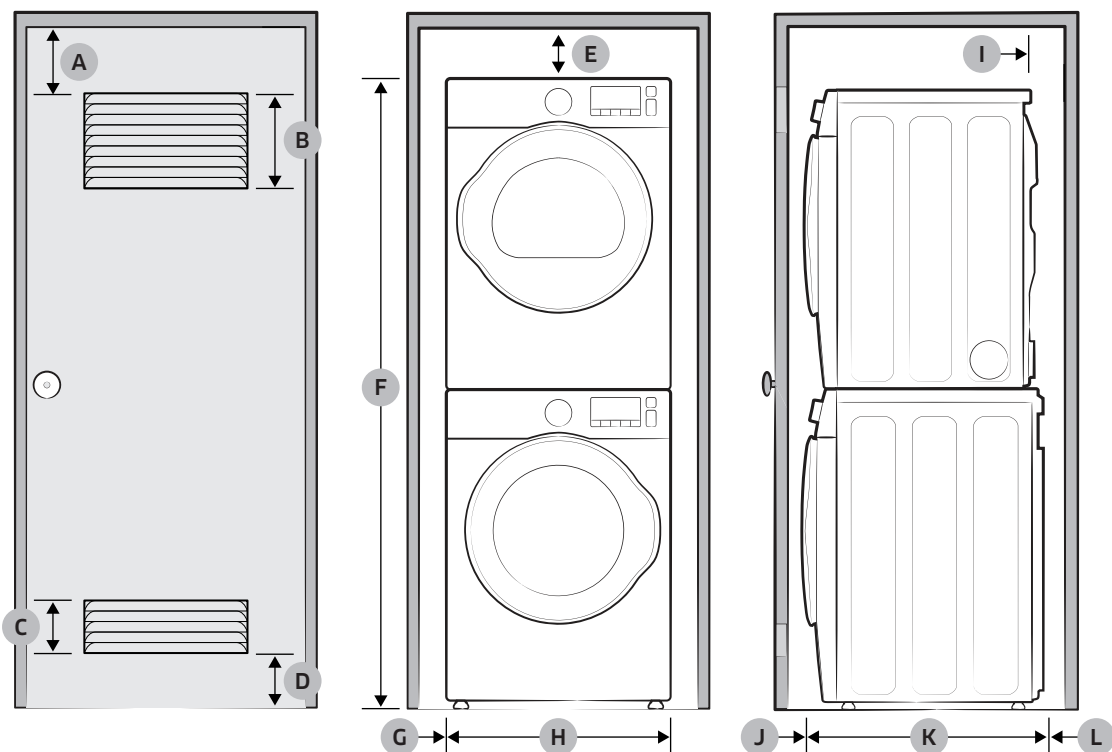
Installation côte à côte



A*	1 pouce (25 mm)	D	34 pouces (864 mm)
B	27 pouces (686 mm)	E	2 pouces (51 mm)
C	17 pouces (432 mm)	F	5,9 pouces (150 mm)

*Ce dégagement n'est pas applicable aux lave-linges autonomes.

Installation empilée (Modèle : SKK-7A)



A	3 pouces (76 mm)	G	1 pouce (25 mm)
B	48 po ² (31000 mm ²)	H	27 pouces (686 mm)
C	24 po ² (15500 mm ²)	I	5 pouces (127 mm)
D	3 pouces (76 mm)	J	3 pouces (76 mm)
E	6 pouces (152 mm)	K	34 pouces (864 mm)
F	78,5 pouces (1994 mm)	L	8 pouces (203 mm)

⚠ AVERTISSEMENT

- Les lave-linge et sèche-linge Samsung peuvent être superposés pour optimiser l'espace utile.
- Les pieds du sèche-linge doivent être démontés pour pouvoir empiler celui-ci sur le lave-linge. Les kits de superposition sont en vente chez votre revendeur Samsung.

Installation

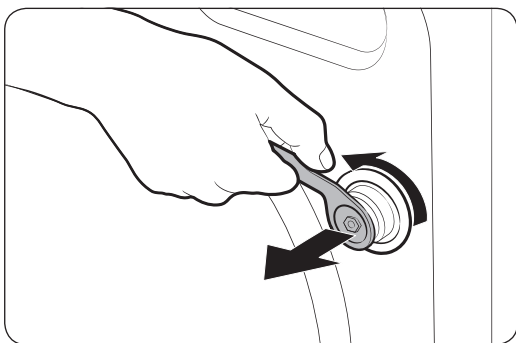
Installation étape par étape

ÉTAPE 1 Choisir un emplacement

Choix de l'emplacement :

- Une surface dure et de niveau, sans moquette ou autre revêtement de sol susceptible d'obstruer l'aération ;
- Non exposé directement au soleil
- Une pièce adéquate pour une bonne ventilation et un câblage approprié ;
- La température ambiante est toujours supérieure au point de congélation (32 °F / 0 °C) ;
- Un lieu éloigné de toute source de chaleur.

ÉTAPE 2 Retirer les vis de transport

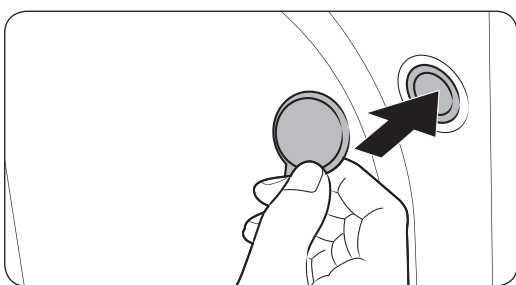


Enlevez l'emballage de l'appareil ainsi que toutes les vis de transport.

1. Desserrez toutes les vis de transport situées à l'arrière du lave-linge à l'aide de la clé.

REMARQUE

Une clé réglable ou une clé plate de 10 mm est requise pour retirer les vis de transport.

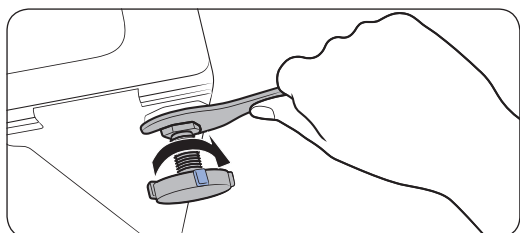
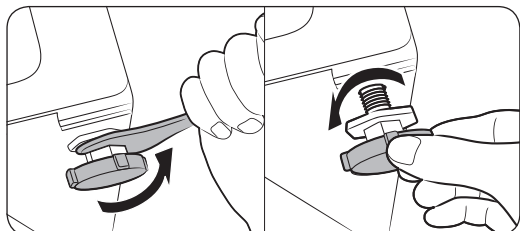


2. Bouchez les trous avec les cache-boulons en plastique fournis. Conservez les vis de transport pour une prochaine utilisation.

AVERTISSEMENT

Les matériaux d'emballage peuvent être dangereux pour les enfants. Tenez tous les matériaux d'emballage (sacs en plastique, polystyrène, etc.) hors de la portée des enfants.

ÉTAPE 3 Ajuster les pieds réglables

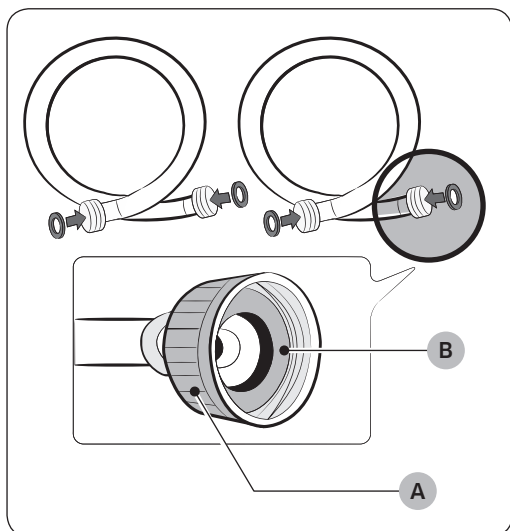


1. Faites glisser doucement le lave-linge à l'emplacement choisi.
N'exercez pas de force excessive sous peine d'endommager les pieds réglables.
2. Mettez le lave-linge à niveau en ajustant manuellement les pieds réglables.
3. Une fois la mise à niveau terminée, serrez les écrous à l'aide de la clé plate.

REMARQUE

Une clé réglable ou une clé plate de 17 mm est requise pour desserrer ou serrer les pieds réglables.

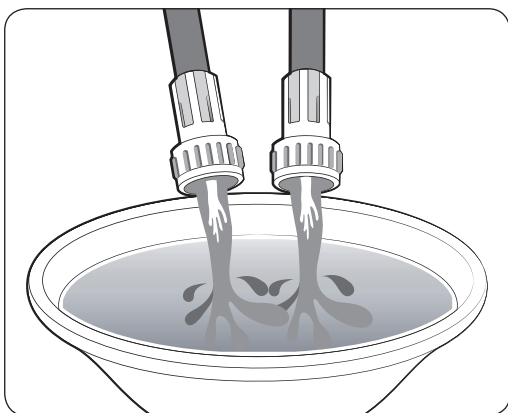
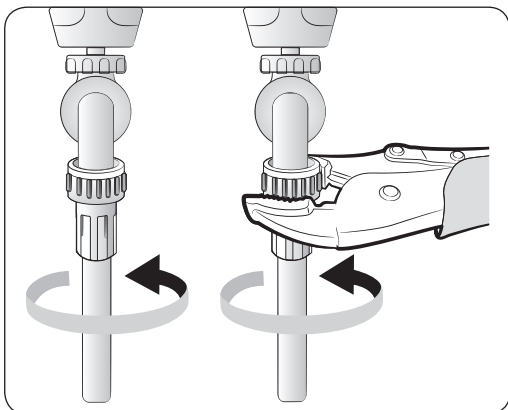
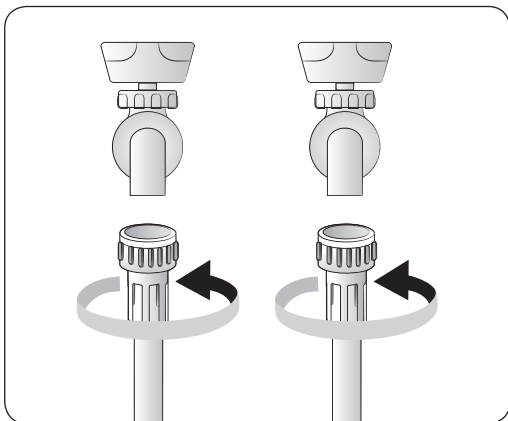
ÉTAPE 4 Raccorder le tuyau d'eau



ATTENTION

- Assurez-vous d'utiliser un tuyau d'eau neuf et que les **joints en caoutchouc (B)** se trouvent à l'intérieur des **raccords (A)** à l'une des extrémités du tuyau d'eau. Un tuyau d'eau sans joint peut fuir.
- Si vous observez une fuite d'eau, arrêtez-la à l'aide de la rondelle et prenez contact avec un centre de service Samsung local. Une fuite d'eau peut entraîner une électrocution.
- Ne tendez pas le tuyau d'eau avec force. Si le tuyau est trop court, remplacez-le par un tuyau haute pression plus long.
- Pour éviter les fuites, assurez-vous que les deux tuyaux d'eau ne sont pas courbés ou entortillés. Une fuite d'eau peut entraîner une électrocution.

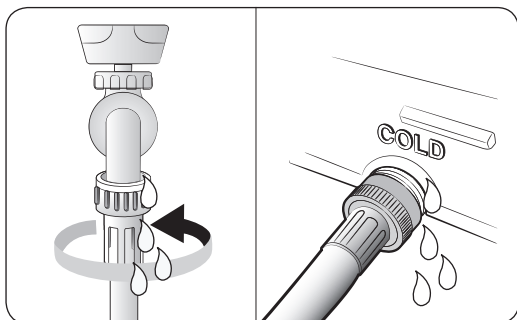
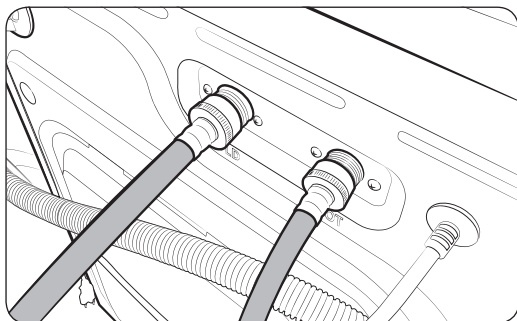
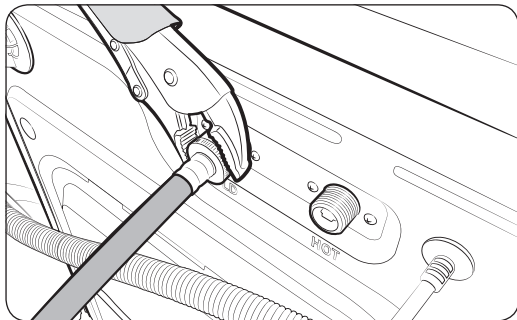
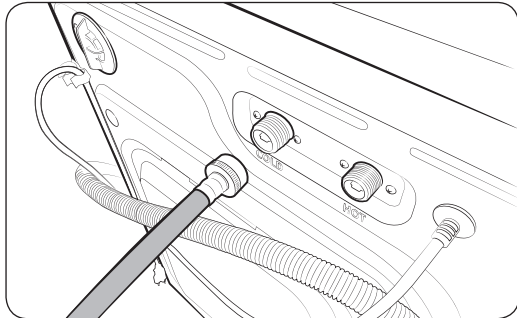
Installation



Pour raccorder les tuyaux d'eau aux robinets :

1. Raccordez une extrémité de chaque tuyau d'eau sur le robinet d'eau **Chaud** ou d'eau **Froide**.
2. Tournez autant que possible les raccords à la main, puis procédez au serrage en effectuant deux tiers de tour supplémentaires à l'aide d'une pince. Ne serrez pas les raccords d'une manière excessive. Vous pouvez les endommager.
3. Une fois l'opération terminée, tirez les tuyaux d'eau vers le haut et le bas pour vérifier s'ils sont bien raccordés.

4. Placez les autres extrémités des tuyaux dans une bassine et ouvrez les robinets pendant 10 à 15 secondes, afin d'éliminer les impuretés. Une fois l'opération terminée, fermez les robinets.



5. Raccordez les autres extrémités des tuyaux d'eau sur les arrivées correspondantes à l'arrière du lave-linge, comme indiqué. Assurez-vous que le tuyau d'eau chaude est raccordé à l'arrivée d'eau chaude et le tuyau d'eau froide à l'arrivée d'eau froide.
6. Recommencez l'étape 2 ci-dessus sur les autres fixations. Assurez-vous que les deux tuyaux d'eau sont bien raccordés. Reportez-vous au code d'information « 4C » pour le dépannage.
7. Ouvrez les deux robinets et vérifiez l'absence de fuite.

REMARQUE

Si vous ne souhaitez pas utiliser le tuyau d'eau chaude, insérez le bouchon d'arrivée dans l'arrivée d'eau chaude. Dans ce cas, vous devez sélectionner Tap Cold (Eau froide du robinet) pour la température de l'eau. Tous les autres voyants relatifs à l'eau s'éteignent.

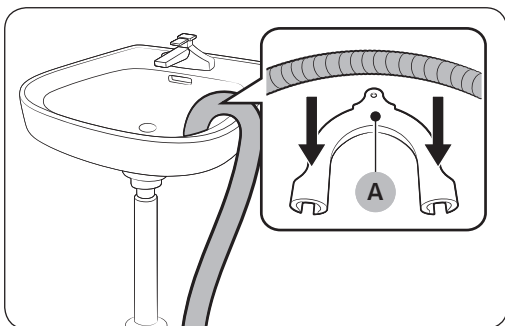
ATTENTION

Pour éviter que les tuyaux d'eau ne soient courbés ou entortillés, veillez à conserver une distance d'au-moins 6 pouces (150 mm) entre le lave-linge et la paroi arrière.

Installation

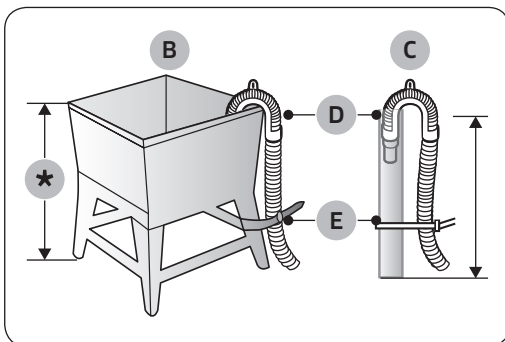
ÉTAPE 5 Positionner le tuyau de vidange

Le tuyau de vidange peut être positionné de trois manières :



Sur le bord d'un lavabo.

Le tuyau de vidange doit être placé à une hauteur située entre 24 pouces (60 cm) et 35 pouces (90 cm) du sol. Afin que l'extrémité du tuyau de vidange reste courbée, utilisez le **guide du tuyau en plastique (A)** fourni. Fixez le guide au mur à l'aide d'un crochet afin d'assurer une vidange stable.

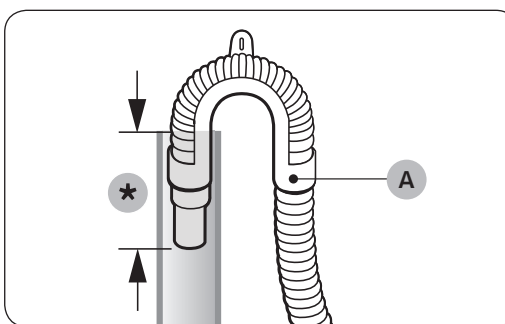


Dans une conduite d'évacuation ou un bac à laver

La longueur du **bac à laver (B)** ou du **tuyau d'évacuation mural (C)** doit être comprise entre 18 pouces (46 cm) et 96 pouces (245 cm). Assurez-vous que le tuyau de vidange et le tuyau d'évacuation ne sont pas étanches à l'air.

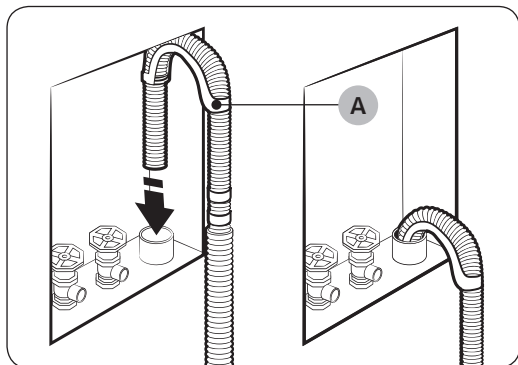
REMARQUE

D : Fixation pour tuyau / E : Colliers de fixation



ATTENTION

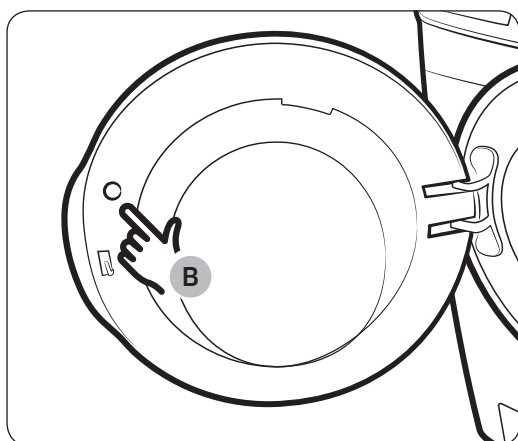
- Raccordez le **guide du tuyau (A)** à maximum 6 pouces (15 cm)* de distance de l'extrémité du tuyau de vidange. Si le tuyau de vidange est étendu après l'extrémité du guide du tuyau, de la moisissure ou des microorganismes peuvent se répandre à l'intérieur du lave-linge.
- Le tuyau de vidange peut être installé à maximum 96 pouces (245 cm) de hauteur, mais la capacité de vidange peut être réduite à cette hauteur maximale. L'eau restant dans le système de vidange peut générer une mauvaise odeur.
- Si le tuyau de vidange est installé à moins de 18 pouces (46 cm) de hauteur, alors l'eau peut être vidangée pendant le processus en raison du phénomène de siphon. Si cela se produit, le code d'information « 4C » apparaît sur l'écran.



Système de vidange à conduite d'évacuation murale

Le tuyau de vidange doit être placé dans un système de vidange à conduite d'évacuation murale. Afin que l'extrémité du tuyau de vidange reste courbée, utilisez le **guide du tuyau de vidange (A)** fourni. Fixez le guide au mur à l'aide d'un crochet afin d'assurer une vidange stable.

ÉTAPE 6 Retirer le film à l'intérieur de la porte



Retirez le **petit film circulaire (B)** situé au-dessus du verrou du hublot avant utilisation.

ÉTAPE 7 Sous tension

Branchez le cordon d'alimentation sur une prise électrique murale agréée de 120 V CA / 60 Hz, protégée par un fusible ou un disjoncteur. Puis, appuyez sur le bouton **POWER (MARCHE/ARRÊT)** pour allumer votre lave-linge.

Avant de démarrer

Réglages initiaux

Exécuter le calibrage (recommandé)

Le calibrage permet d'assurer une détection précise du poids par le lave-linge. Assurez-vous que le tambour est vide avant d'exécuter le calibrage.

1. Appuyez sur le bouton **POWER (MARCHE/ARRÊT)** pour allumer le lave-linge.
2. Maintenez simultanément enfoncés les boutons **Temp. (Température)** et **Delay End (Arrêt différé)** pendant 3 secondes.

3. Appuyez sur le bouton **START/PAUSE (DÉPART/PAUSE)** pour lancer le Calibrage.
 - Le hublot est fermé pendant l'utilisation.
 - Le tambour continue de tourner dans le sens horaire et anti-horaire pendant plusieurs minutes.
4. Une fois l'opération terminée, le lave-linge s'éteint automatiquement.

Instructions de lavage

ÉTAPE 1 Trier

Triez le linge selon les critères suivants :

- Étiquette d'entretien : séparez le coton, les fibres mélangées, les synthétiques, la soie, la laine et les rayonnées.
- Couleur : séparez le blanc des couleurs.
- Taille : mélangez des articles de tailles différentes dans le tambour améliore les performances du lave-linge.
- Sensibilité : lavez les articles délicats séparément, pour les articles neufs en laine vierge et en soie, ainsi que pour les rideaux. Vérifiez les étiquettes sur les articles.

REMARQUE

Assurez-vous de vérifier l'étiquette d'entretien sur tous les vêtements et de trier ces derniers en fonction avant de lancer le lavage.

ÉTAPE 2 Vider les poches

Videz toutes les poches des vêtements à laver.

- Les objets métalliques tels que les pièces de monnaie, les broches et les boucles sur les vêtements peuvent endommager les autres articles, ainsi que le tambour.

Retournez les vêtements disposant de boutons et de broderies.

- Veillez à fermer les fermetures éclair des pantalons ou des vestes afin de ne pas endommager le tambour. Les fermetures éclair doivent être fermées et maintenues comme tel à l'aide d'un fil.
- Les vêtements pourvus de lanières peuvent s'emmêler avec d'autres vêtements. Veillez à attacher les lanières avant de lancer le cycle de lavage.

ÉTAPE 3 Utiliser un filet à linge

- Les soutiens-gorge (lavables à l'eau) doivent être placés dans un filet à linge. Les pièces métalliques des soutiens-gorge peuvent percer et déchirer les autres articles.
- Les vêtements légers et de petite taille, tels que les chaussettes, gants, bas et mouchoirs, peuvent se coincer entre le hublot et la paroi du lave-linge. Placez-les dans un sac à linge fin.
- Ne lavez pas le sac à linge seul, sans linge. Ceci pourrait provoquer des vibrations anormales susceptibles d'entraîner des déplacements intempestifs du lave-linge ou des blessures.

ÉTAPE 4 Prélaver (si nécessaire)

Sélectionnez l'option Prélavage pour le cycle sélectionné si le linge est très sale. N'utilisez pas l'option Prélavage si vous ajoutez de la lessive manuellement dans le tambour.

ÉTAPE 5 Évaluer la capacité de chargement

Ne surchargez pas le lave-linge. Une surcharge de linge peut entraîner de mauvaises performances de lavage du lave-linge.

REMARQUE

Lorsque vous lavez des draps ou des couettes, il se peut que la durée de lavage soit allongée ou que l'efficacité de l'essorage soit moindre.

Pour les couettes ou housses de couette, la vitesse du cycle d'essorage maximale recommandée est « vitesse d'essorage Basse ou Moyenne » et la capacité de chargement est de 3,0 kg maximum.

ATTENTION

Si le linge est mal équilibré et que le code d'information « UB » s'affiche, redistribuez la charge. Une mauvaise répartition du linge peut réduire les performances d'essorage.

ÉTAPE 6 Ajouter le type correct de lessive

La lessive à utiliser dépend du type de tissu (coton, synthétiques, vêtements délicats, laine), de la couleur, de la température de lavage et du degré de salissure. Utilisez toujours une lessive HE qui mousse peu, prévue pour les lave-linges automatiques.

REMARQUE

- Respectez les recommandations du fabricant de la lessive ; celles-ci ont été élaborées en fonction du poids du linge, du degré de salissure et de la dureté de l'eau de votre région. Si vous avez des doutes concernant la dureté de l'eau, prenez contact avec une autorité locale en charge de l'eau.
- N'utilisez pas de lessives qui ont tendance à se durcir ou à se solidifier. Ce type de lessives reste après le cycle de rinçage, bloquant alors la sortie de vidange.

ATTENTION

Lorsque vous lavez des articles en laine avec le cycle LAINE, utilisez uniquement une lessive liquide neutre. Si vous l'utilisez avec le cycle LAINE, la lessive en poudre peut rester sur le linge et le décolorer.

Utiliser uniquement une lessive HE



Votre lave-linge est conçu pour fonctionner avec des lessives haute efficacité (HE).

- Pour des résultats de lavage optimaux, utilisez une lessive haute efficacité telle que Tide HE, Wisk HE, Cheer HE ou Gain HE*. Les lessives haute efficacité contiennent des agents anti-mousse chargés de réduire, voire d'éliminer la mousse. Lorsqu'il y a moins de mousse, la charge tourne plus efficacement et le lavage est optimisé. (* Les noms de marque sont des marques déposées de leurs fabricants respectifs.)

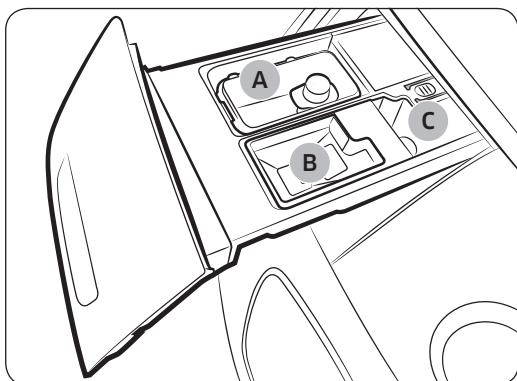
AVERTISSEMENT

Les lessives classiques ne sont pas recommandées. Utilisez uniquement des lessives HE.

Avant de démarrer

Consignes pour le tiroir à lessive

Le lave-linge est doté d'un distributeur à quatre compartiments : le compartiment avant gauche pour le lavage principal, le compartiment arrière gauche pour le prélavage, le compartiment avant droit pour les adoucissants pour tissus et le compartiment arrière droit pour les agents de blanchiment au chlore liquide.

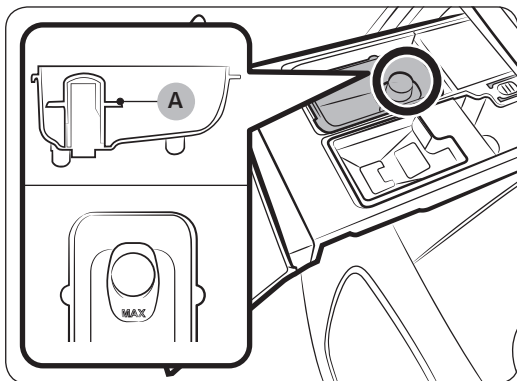


- 1. Compartiment pour le lavage principal (A) :** Ajoutez de la lessive de lavage principal, de l'adoucissant d'eau, de la lessive de trempage, un produit anti-décoloration, un agent de blanchiment non chloré et/ou des détachants.
- 2. Compartiment pour les adoucissants (B) :** Ajoutez un adoucissant pour tissus. Ne dépassez pas la ligne maximale.
- 3. Compartiment pour les agents de blanchiment (C) :** Ajoutez un agent de blanchiment au chlore liquide. Ne dépassez pas la ligne maximale.

⚠ ATTENTION

- N'ouvrez pas le tiroir à lessive lorsque le lave-linge fonctionne.
- N'utilisez pas les types de lessive suivants :
 - En tablettes ou capsules
 - Pour boules de lessive ou filets
- Afin d'éviter que le compartiment ne se bouche, les agents concentrés ou fortement enrichis (adoucissants pour tissus ou lessives) doivent être dilués dans l'eau avant d'être ajoutés.

Pour ajouter des agents de lavage dans le tiroir à lessive

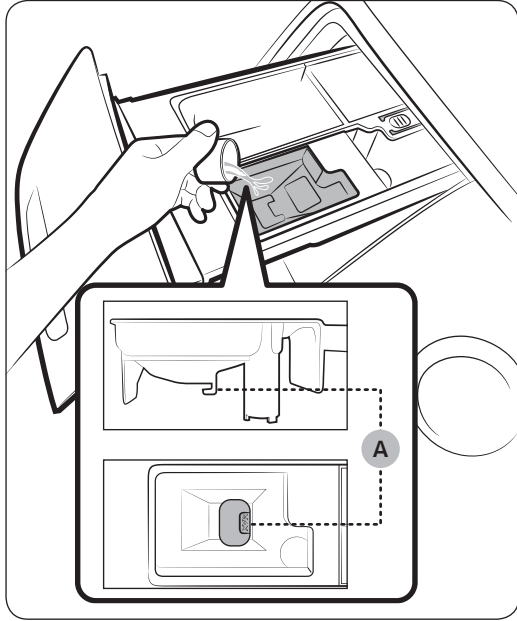


Ajout de lessive liquide

- 1.** Ouvrez le tiroir à lessive en le faisant glisser.
- 2.** Ajoutez de la lessive liquide dans le bac à lessive liquide du **compartiment pour le lavage principal**. Assurez-vous que la lessive n'excède pas le **trait de remplissage maxi** repéré (A).

📄 REMARQUE

- N'ajoutez pas de lessive en poudre ou autres produits de blanchiment en poudre dans le bac à lessive liquide.
- Pour utiliser de la lessive en poudre, reportez-vous à la page 32.



3. Appliquez de l'adoucissant pour tissus dans le **compartiment pour les adoucissants**.
Ne dépassez pas la ligne maximale (A).

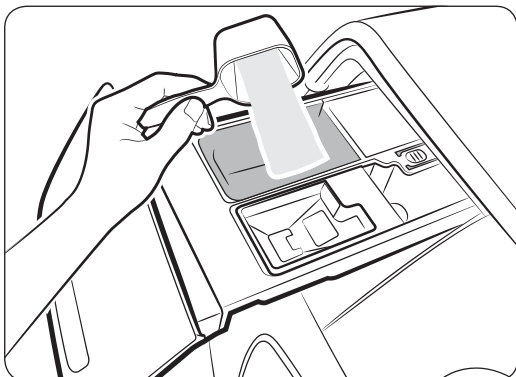
⚠ ATTENTION

- Il n'est pas recommandé d'utiliser de l'adoucissant pour tissus en poudre. Utilisez uniquement de l'adoucissant pour tissus liquide.
 - L'adoucissant pour tissus concentré doit être dilué dans l'eau avant d'être ajouté.
 - N'ajoutez pas de lessive de lavage principal dans le **compartiment pour les adoucissants**.
4. Fermez le tiroir à lessive.

Avant de démarrer

Avant de démarrer

Pour utiliser de la lessive en poudre

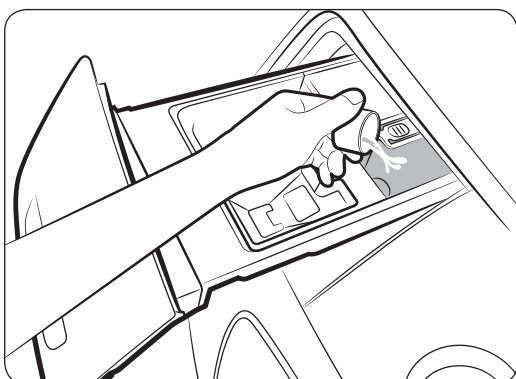


Retirez tout d'abord le bac à lessive liquide fourni du **compartiment pour le lavage principal**. Puis, ajoutez de la lessive en poudre dans le **compartiment pour le lavage principal** en respectant les instructions du fabricant de lessive.

⚠ ATTENTION

Ne versez pas de lessive en poudre dans le bac à lessive liquide.

Pour utiliser le compartiment pour les agents de blanchiment

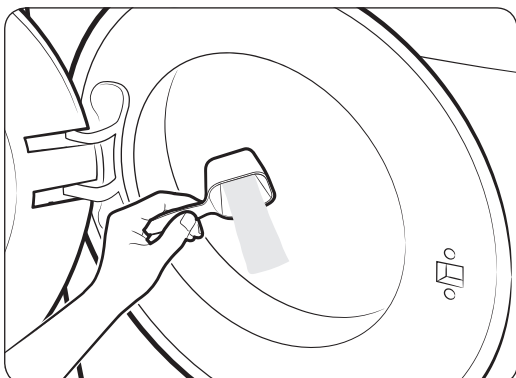


Ajoutez uniquement de l'agent de blanchiment au chlore liquide dans le **compartiment pour les agents de blanchiment**. Ne dépassez pas la ligne maximale.

⚠ ATTENTION

N'ajoutez pas d'agent de blanchiment au chlore liquide directement sur le linge ou dans le tambour. Ce produit chimique puissant peut endommager et décolorer les fibres s'il n'est pas utilisé correctement.

Pour utiliser des agents de suroxygénation ou anti-décoloration



Les agents de suroxygénation ou anti-décoloration peuvent améliorer les performances de lavage. Assurez-vous d'ajouter l'agent de suroxygénation ou anti-décoloration après avoir mis le linge dans le tambour.

📖 REMARQUE

Pour utiliser à la fois de la lessive en poudre et un agent de suroxygénation ou anti-décoloration, il est plus efficace de les mettre ensemble dans le tambour avant de charger le linge.

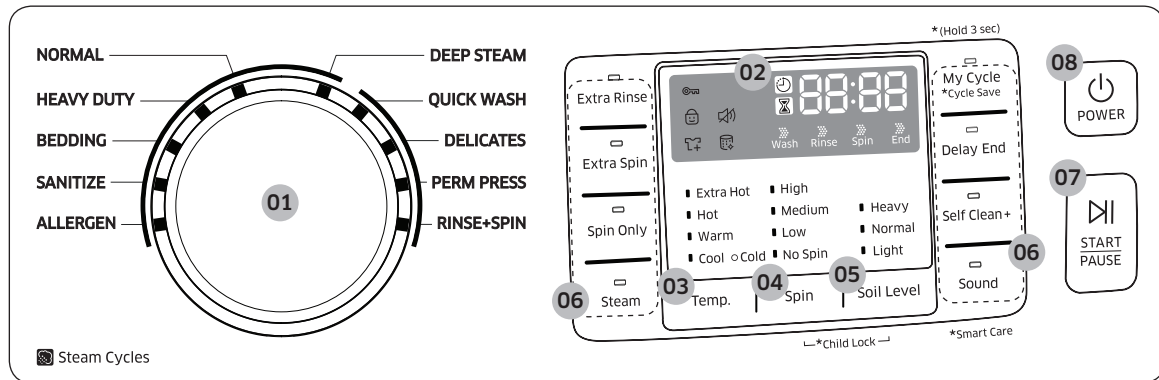
Opérations

⚠ AVERTISSEMENT

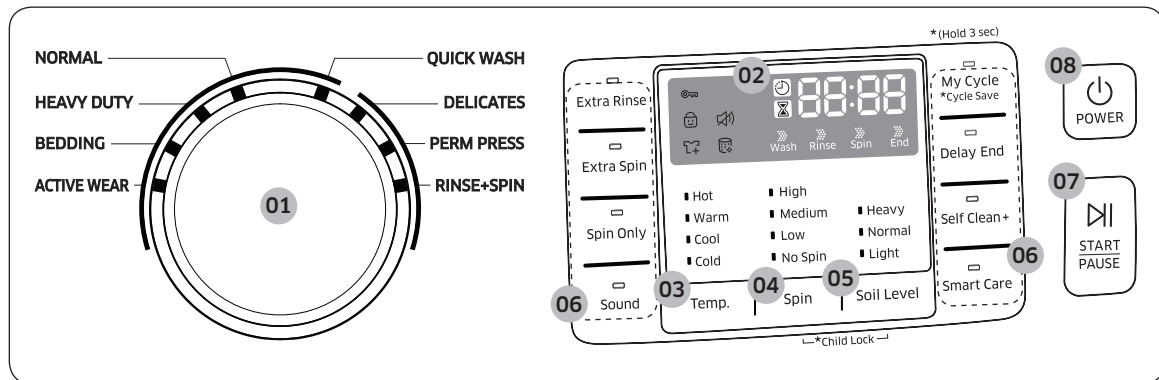
afin de limiter les risques d'incendie, d'électrocution ou de blessures, consultez la section CONSIGNES IMPORTANTES DE SÉCURITÉ avant d'utiliser cet appareil.

Panneau de fonctions

WF45M5500A*




WF45M5100A*



Opérations

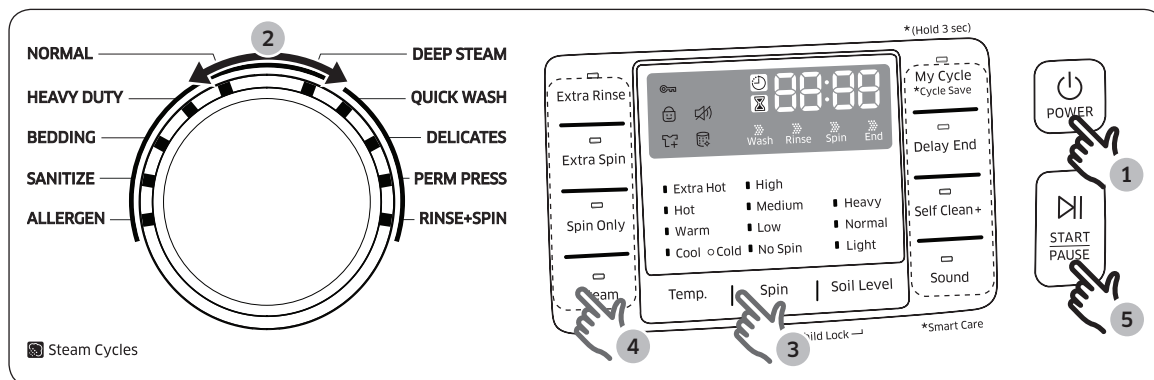
01 Sélecteur de cycle	Tournez la molette pour sélectionner un cycle.
02 Affichage	L'écran affiche les informations du cycle actuel et le temps restant estimé, ou un code d'information si le lave-linge doit être vérifié.
03 Temp. (Température)	<p>Appuyez sur ce bouton pour modifier la température de l'eau pour le cycle actuel.</p> <p>WF45M5500A*</p> <ul style="list-style-type: none">• Extra Hot (Très chaud) : articles très sales et grand teint. Uniquement disponible avec les cycles NORMAL, HEAVY DUTY (GRAND RENDEMENT) et SANITIZE (STÉRILISATION).• Hot (Chaud) : linge blanc et très sale, grand teint.• Warm (Tiède) : utilise de l'eau tiède uniquement pour le processus de rinçage final. Il permet de faire des économies d'énergie.• Cool (Frais) : linge très peu sale, couleurs vives. Le lave-linge alimente de l'eau chaude ou actionne l'élément chauffant pour chauffer l'eau si elle est en-dessous de 60 °F (16 °C).• Cold (Froid) : utilise de l'eau froide uniquement sans actionner l'élément chauffant. Pas une goutte d'eau tiède n'est fournie. <p>WF45M5100A*</p> <ul style="list-style-type: none">• Hot (Chaud) : linge blanc et très sale, grand teint.• Warm (Tiède) : utilise de l'eau tiède uniquement pour le processus de rinçage final. Il permet de faire des économies d'énergie.• Cool (Frais) : linge très peu sale, couleurs vives. Le lave-linge alimente de l'eau chaude ou actionne l'élément chauffant pour chauffer l'eau si elle est en-dessous de 60 °F (16 °C).• Cold (Froid) : utilise de l'eau froide uniquement sans actionner l'élément chauffant. Pas une goutte d'eau tiède n'est fournie.

04 Spin (Essorage)	<p>Appuyez sur ce bouton pour modifier la vitesse d'essorage pour le cycle actuel.</p> <ul style="list-style-type: none"> • High (Élevée) : sous-vêtements, T-shirts, jeans et linge en coton épais. • Medium (Moyenne) : jeans, articles infroissables ou sans repassage, linge synthétique. • Low (Basse) : articles délicats qui nécessitent une vitesse d'essorage plus basse. • No Spin (Sans essorage) : le tambour n'essore pas après le processus de vidange final. • Arrêt cuve pleine (aucun voyant ne s'allume) : le processus de rinçage final est suspendu de sorte que le linge reste immergé. Pour sortir le linge, lancez un processus de vidange ou d'essorage. <p> REMARQUE</p> <p>Spin Only (Essorage uniquement) : ce cycle est dédié au processus d'essorage. Une fois la durée du cycle affichée à l'écran, appuyez plusieurs fois sur le bouton Spin (Essorage) jusqu'à ce que la vitesse d'essorage souhaitée soit sélectionnée. Ensuite, appuyez sur le bouton START/PAUSE (DÉPART/PAUSE) pour commencer le cycle.</p> <p>Ce cycle est disponible uniquement lorsqu'aucun cycle spécifique n'est sélectionné.</p>
05 Soil Level (Degré de salissure)	<p>Permet de sélectionner le degré de salissure/temps de lavage.</p> <ul style="list-style-type: none"> • Heavy (Très sale) : linge très sale. • Normal : linge moyennement sale. Ce réglage convient à la plupart des lessives. • Light (Peu sale) : linge peu sale.
06 Options	<p>Appuyez sur les boutons pour sélectionner différentes options de cycle.</p>
07 START/PAUSE (DÉPART/PAUSE)	<p>Appuyez sur ce bouton pour lancer ou mettre en pause le fonctionnement.</p>
08 POWER (MARCHE/ARRÊT)	<p>Appuyez sur ce bouton pour allumer/éteindre le lave-linge.</p>

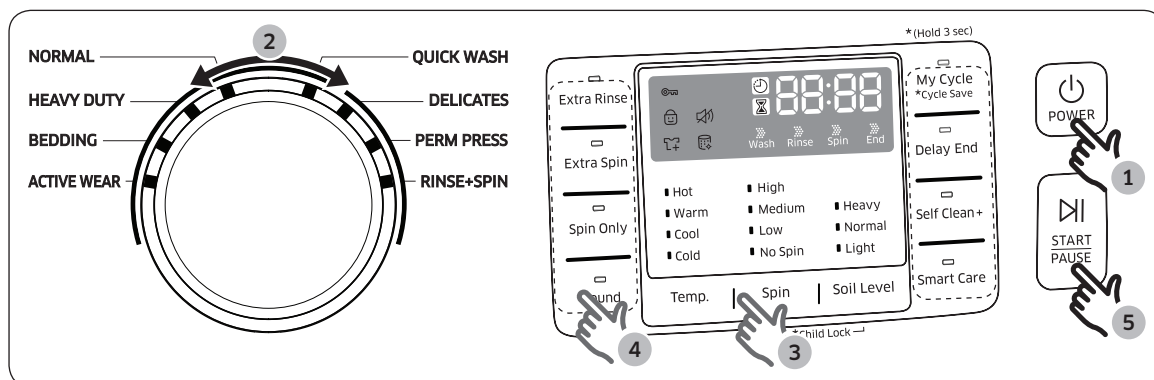
Opérations

Étapes simples pour démarrer

WF45M5500A*



WF45M5100A*



1. Appuyez sur le bouton **POWER (MARCHE/ARRÊT)** pour allumer le lave-linge.
2. Faites tourner le **Sélecteur de cycle** pour sélectionner un cycle.
3. Modifiez les réglages du cycle (**Temp. (Température)**, **Spin (Essorage)** et **Soil Level (Degré de salissure)**) selon ce que vous souhaitez.
4. Sélectionnez les options souhaitées selon ce dont vous avez besoin.
5. Appuyez sur **START/PAUSE (DÉPART/PAUSE)**.

Pour modifier le cycle durant le fonctionnement

1. Appuyez sur **START/PAUSE (DÉPART/PAUSE)** pour interrompre le fonctionnement.
2. Sélectionnez un autre cycle.
3. Appuyez à nouveau sur **START/PAUSE (DÉPART/PAUSE)** pour commencer le nouveau cycle.

⚠ AVERTISSEMENT

Ne posez aucun objet sur l'appareil lorsque celui-ci est en cours de fonctionnement.


Présentation des cycles

Cycles standard

Cycle	Description
QUICK WASH (LAVAGE EXPRESS)	<ul style="list-style-type: none">• Pour les articles peu sales que vous souhaitez finir de laver rapidement.
DELICATES (DÉLICAT)	<ul style="list-style-type: none">• Pour les textiles transparents, lingerie fine (soie) et autres textiles délicats à laver à la main.• Pour des performances optimales, utilisez de la lessive liquide.
PERM PRESS	<ul style="list-style-type: none">• Pour les articles sans repassage, les tissus synthétiques et le linge peu à normalement sale.
RINSE+SPIN (RINÇAGE+ESSORAGE)	<ul style="list-style-type: none">• Ce cycle lance un processus de rinçage supplémentaire après l'application d'un adoucissant pour tissus sur le linge.
ACTIVE WEAR (VÊTEMENTS DE SPORT) (modèle WF45M5100* uniquement)	<ul style="list-style-type: none">• Pour les vêtements de sport (maillots, shorts, T-shirts, etc.). Ce cycle permet d'éliminer la saleté du linge délicat de manière efficace avec une rotation contrôlée du tambour.

Opérations

Programmes vapeur

Cycle	Description
DEEP STEAM (VAPEUR PROF.) (modèle WF45M5500A* uniquement)	<ul style="list-style-type: none">• Pour les articles très sales et grand teint. Ce cycle utilise de la vapeur et de l'eau à température élevée pour éliminer efficacement les taches.
NORMAL	<ul style="list-style-type: none">• Pour les articles en coton, les draps, le linge de table, les sous-vêtements, les serviettes ou les chemises. La durée de lavage et le nombre de cycles de rinçage sont automatiquement ajustés selon la charge.
HEAVY DUTY (GRAND RENDEMENT)	<ul style="list-style-type: none">• Pour le linge très sale et les textiles épais grand teint.
BEDDING (DRAPS)	<ul style="list-style-type: none">• Pour les articles volumineux, comme les couettes, les couvertures et les draps.• Pour des résultats optimaux, lavez 1 seul type de draps.• Pour les articles volumineux, utilisez de la lessive liquide et ne roulez pas les articles en boule dans le tambour car ils pourraient se coincer dans le tambour.
SANITIZE (STÉRILISATION) (modèle WF45M5500A* uniquement)	<ul style="list-style-type: none">• Pour les articles très sales et grand teint. La température de l'eau atteint 65 °C afin d'éliminer les bactéries. <p> REMARQUE Si vous appuyez sur le bouton START/PAUSE (DÉPART/PAUSE) pendant la phase de chauffe du cycle SANITIZE (STÉRILISATION), le hublot de votre lave-linge restera verrouillé pour des raisons de sécurité.</p>
ALLERGEN (ANTI-ACARIENS) (modèle WF45M5500A* uniquement)	<ul style="list-style-type: none">• Ce cycle permet d'éliminer les acariens, les squames d'animaux ou autres substances allergènes dans les tissus.


Options

Option	Description
Extra Rinse (Rinçage intensif)	<ul style="list-style-type: none">Cette option permet d'ajouter un cycle de rinçage supplémentaire à la fin du cycle afin de mieux éliminer les additifs dans le linge.
Extra Spin (Essorage intensif)	<ul style="list-style-type: none">Cette option permet de prolonger le temps d'essorage pour éliminer davantage d'eau dans le linge.
Spin Only (Essorage uniquement)	<ul style="list-style-type: none">Appuyez sur ce bouton pour lancer uniquement le cycle Spin (Essorage) d'un programme sélectionné.
Steam (Vapeur)	<ul style="list-style-type: none">Appuyez sur ce bouton pour utiliser la fonction Steam (Vapeur). L'option Steam (Vapeur) est disponible avec les cycles NORMAL, HEAVY DUTY (GRAND RENDEMENT), BEDDING (DRAPS), SANITIZE (STÉRILISATION), DEEP STEAM (VAPEUR PROF.) et ALLERGEN (ANTI-ACARIENS). Pour le linge très sale et grand teint, la fonction Steam (Vapeur) améliore l'élimination des taches et utilise moins d'eau. (uniquement pour le modèle WF45M5500A*)
Sound (Son)	<ul style="list-style-type: none">Appuyez sur ce bouton pour désactiver le son du lave-linge. Aucune alarme ou mélodie ne retentit, à l'exception du signal de contrôle de diagnostic, et le témoin « 🔊 » s'allume. Pour réactiver le son de l'appareil, appuyez de nouveau sur ce bouton.
My Cycle (Mon cycle)	<ul style="list-style-type: none">Créez votre propre cycle de lavage avec vos réglages favoris et utilisez le cycle par un simple appui sur le bouton.
Delay End (Arrêt différé)	<ul style="list-style-type: none">Réglez le lave-linge pour terminer automatiquement votre lavage ultérieurement. Choisissez un différé entre 1 et 24 heures (par incréments de 1 heure).
Self Clean+ (Auto-nettoyage+)	<ul style="list-style-type: none">Ce cycle permet de nettoyer le tambour en éliminant la saleté et les bactéries qu'il contient.Effectuez ce cycle une fois tous les 40 lavages, sans ajouter de lessive ou d'agent de blanchiment.Assurez-vous que le tambour est vide.N'ajoutez aucun produit de nettoyage du tambour.
Smart Care (Entretien intelligent)	<ul style="list-style-type: none">Cette fonction vous permet de vérifier l'état du lave-linge à l'aide d'un smartphone.

Opérations

Arrêt différé

Vous pouvez programmer votre lave-linge pour que le cycle de lavage se termine automatiquement plus tard, en choisissant un départ différé de 1 à 24 heures (par tranches d'une heure). L'heure affichée correspond à celle à laquelle le lavage se terminera.

1. Sélectionnez un cycle. Ensuite, modifiez les réglages du cycle si nécessaire.
2. Appuyez plusieurs fois sur le bouton **Delay End (Arrêt différé)** jusqu'à obtenir l'heure de fin souhaitée.
3. Appuyez sur **START/PAUSE (DÉPART/PAUSE)**. Le voyant  s'allume et l'horloge se met en marche.
4. Pour annuler le cycle **Delay End (Arrêt différé)**, redémarrez le lave-linge en appuyant sur le bouton **POWER (MARCHE/ARRÊT)**.

Exemple de mise en situation

Vous souhaitez qu'un cycle de deux heures finisse dans 3 heures. Pour ce faire, vous ajoutez l'option **Delay End (Arrêt différé)** au cycle actuel avec le réglage de 3 heures, puis vous appuyez sur le bouton **START/PAUSE (DÉPART/PAUSE)** à 14 h 00. Et ensuite, que se passe-t-il ? Le lave-linge commence son cycle à 15 h 00 et finit à 17 h 00. Ci-dessous, vous trouverez la chronologie pour cet exemple.



Vapeur

Avec le cycle **Steam (Vapeur)**, le lave-linge détecte le poids du linge et contrôle l'effet de vapeur en fonction de la charge. Ce cycle permet d'améliorer les performances de lavage.

Les cycles **Steam (Vapeur)** disponibles sont : **NORMAL**, **HEAVY DUTY (GRAND RENDEMENT)**, **BEDDING (DRAPS)**, **SANITIZE (STÉRILISATION)**, **ALLERGEN (ANTI-ACARIENS)** et **DEEP STEAM (VAPEUR PROF.)**.

1. Faites tourner le **Sélecteur de cycle** pour sélectionner un cycle **Steam (Vapeur)**.
2. Appuyez sur **Steam (Vapeur)**.
3. Ajoutez de la lessive et de l'adoucissant pour tissus comme indiqué.
4. Appuyez sur le bouton **START/PAUSE (DÉPART/PAUSE)** pour commencer le cycle.

REMARQUE

- Il se peut que vous ne voyiez ou qu'il n'y ait pas de vapeur pendant le cycle. Ceci est tout à fait normal.
- Contrairement aux autres cycles **Steam (Vapeur)**, vous n'avez pas besoin d'appuyer sur **Steam (Vapeur)** pour activer l'option **DEEP STEAM (VAPEUR PROF.)**, car le bouton **Steam (Vapeur)** s'actionne automatiquement.

Sécurité enfant

Pour éviter tout accident avec les enfants ou les bébés, la fonction Sécurité enfant permet de verrouiller tous les boutons, sauf **POWER (MARCHE/ARRÊT)**.

Pour activer la fonction Sécurité enfant

- Maintenez les boutons **Soil Level (Degré de salissure)** et **Spin (Essorage)** enfoncés pendant 3 secondes. Ensuite, appuyez sur le bouton **START/PAUSE (DÉPART/PAUSE)** pour l'activer. Le hublot se verrouille et le voyant correspondant s'allume.

Pour désactiver temporairement la fonction Sécurité enfant

- Vous pouvez désactiver temporairement la fonction Sécurité enfant pendant 1 minute. Pour ce faire, maintenez les boutons **Soil Level (Degré de salissure)** et **Spin (Essorage)** enfoncés pendant 3 secondes. Le hublot est déverrouillé pendant 1 minute et le voyant correspondant clignote.

REMARQUE

- Si vous ouvrez le hublot 1 minute après avoir désactivé la fonction Sécurité enfant, une alarme retentit pendant 2 minutes maximum.
- Si vous fermez le hublot avant que les 2 minutes ne se soient écoulées, il se verrouille et la fonction Child Lock (Sécurité enfant) est réactivée. Si vous ne fermez pas le hublot ou s'il est mal fermé, l'alarme continue de retentir pendant 2 minutes.
- Pour ajouter du linge après avoir activé la fonction Sécurité enfant, désactivez d'abord cette fonction ou redémarrez le lave-linge.

Pour annuler la fonction Sécurité enfant

- Maintenez les boutons **Soil Level (Degré de salissure)** et **Spin (Essorage)** enfoncés pendant 6 secondes. Le hublot se déverrouille et le voyant correspondant s'éteint.

Mon cycle

Créez votre propre cycle de lavage avec vos réglages favoris et utilisez le cycle à l'aide d'un seul bouton.

Pour créer votre propre cycle

1. Faites tourner le **Sélecteur de cycle** pour sélectionner un cycle.
2. Modifiez les réglages du cycle (**Temp. (Température)**, **Spin (Essorage)** et **Soil Level (Degré de salissure)**) selon ce que vous souhaitez.
3. Ajoutez une option de votre choix. Pour en savoir plus, reportez-vous à la section « **Options** ».
4. Maintenez le bouton **My Cycle (Mon cycle)** enfoncé pendant 3 secondes pour enregistrer vos réglages. Les voyants concernés clignotent pendant 3 secondes. Une fois le cycle enregistré, vous pouvez l'utiliser en appuyant sur le bouton **My Cycle (Mon cycle)**.

REMARQUE

Si vous appuyez sur le bouton **My Cycle (Mon cycle)** et le relâchez avant 3 secondes, le cycle et les options précédemment enregistrés s'affichent.

Opérations

Son

Activez ou désactivez le son.

- Il est possible de sélectionner la fonction Sound Off (Arrêt son) pour tous les programmes.

ATC (Contrôle automatique de la température)

La fonction ATC permet au lave-linge de contrôler la température de l'eau dans chaque processus de lavage, à l'aide de la thermistance interne. Elle est conçue pour maintenir un certain niveau de température pour l'eau de lavage afin de garantir des résultats optimaux.

REMARQUE

- Si vous sélectionnez le cycle NORMAL ou HEAVY DUTY (GRAND RENDEMENT), il se peut que vous constatiez que votre lave-linge fournit de l'eau froide. Ceci est normal car le lave-linge est conçu pour réduire la consommation d'énergie.
- Avec ces cycles, le réglage de température Hot (Chaud) est similaire à l'eau d'un bain et le réglage de température Warm (Tiède) à des températures de piscine agréables.
- Pour laver les vêtements à une température spécifique, vous devez d'abord choisir un cycle différent.

Maintenance

Gardez le lave-linge propre afin d'éviter la détérioration de ses performances et de préserver son cycle de vie.

AVERTISSEMENT

Carte de circuits, dissipateur thermique, le moteur, soupape d'admission et la pompe ne sont volontairement pas mis à la terre et peuvent présenter un risque de décharge électrique, seulement lors de l'entretien.

Auto-nettoyage+

Lancez régulièrement ce cycle pour nettoyer le tambour et éliminer les bactéries qu'il contient.

1. Assurez-vous que le tambour est vide.
2. Appuyez sur le bouton **POWER (MARCHE/ARRÊT)** pour allumer le lave-linge.
3. Appuyez sur le bouton **Self Clean+ (Auto-nettoyage+)**.
4. Appuyez sur **START/PAUSE (DÉPART/PAUSE)**.

REMARQUE

- La température de l'eau pour Self Clean+ (Auto-nettoyage+) est réglée sur Extra Hot (Très chaud), ce qui ne peut être modifié. (uniquement pour le modèle WF45M5500A*)
- La température de l'eau pour Self Clean+ (Auto-nettoyage+) est réglée sur Hot (Chaud), ce qui ne peut être modifié. (uniquement pour le modèle WF45M5100A*)

ATTENTION

N'utilisez aucun produit de nettoyage. N'ajoutez aucune lessive ni agent de blanchiment. Les résidus chimiques dans le tambour détériorent les performances de lavage.

Rappel Auto-nettoyage+ (🧼)

- Le rappel **Self Clean+ (Auto-nettoyage+)** apparaît sur l'écran principal une fois tous les 40 lavages. Il est recommandé de lancer régulièrement le cycle **Self Clean+ (Auto-nettoyage+)**.
- Si vous ne lancez pas le cycle au maximum 1 heure après que le rappel **Self Clean+ (Auto-nettoyage+)** soit apparu, le rappel s'éteint automatiquement.
- Lorsque ce rappel s'affiche pour la première fois, vous pouvez l'ignorer pendant 6 lavages consécutifs. À partir du 7^{ème} lavage, le rappel n'apparaît plus. Toutefois, il réapparaît au 40^{ème} lavage.

Maintenance

Smart Care

La fonction Smart Care (Entretien intelligent) vous aide à diagnostiquer et à dépanner votre lave-linge s'il rencontre un problème. Pour activer cette fonction, vous devez d'abord télécharger l'application Samsung Smart Washer sur Play Store ou sur Apple Store et l'installer sur un appareil mobile disposant d'un appareil photo. La fonction Smart Care (Entretien intelligent) de l'application Smart Washer a été optimisée pour : les appareils des gammes Galaxy et iPhone. (Elle n'est pas prise en charge par certains modèles.)

Lorsque le lave-linge est en marche, il exécute la fonction d'auto-diagnostic en arrière-plan. S'il détecte un problème, il affiche un code d'information à l'écran que vous pouvez scanner à l'aide de la fonction Smart Care (Entretien intelligent) de l'application. La fonction Smart Care (Entretien intelligent) affichera alors des informations détaillées concernant le code.

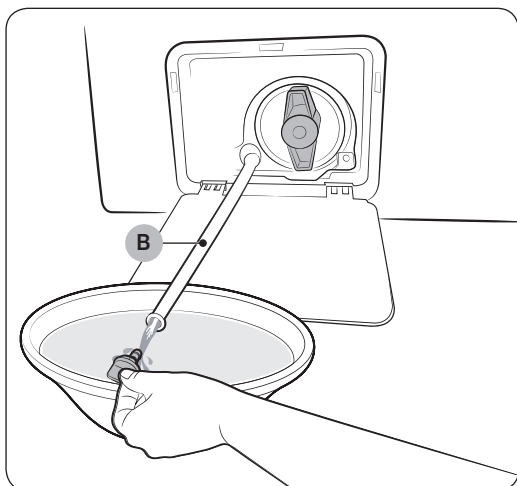
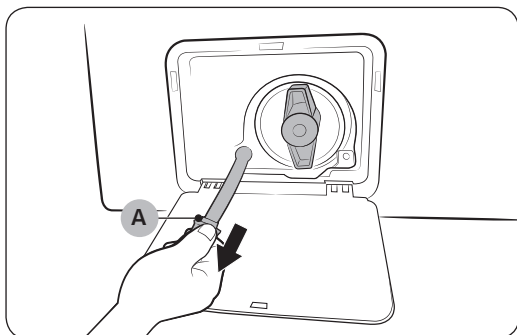
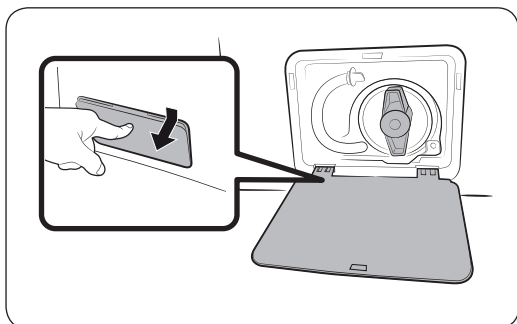
1. Pour activer la fonction Smart Care (Entretien intelligent).
 - Maintenez le bouton **Sound (Son)** enfoncé sur le lave-linge pendant 3 secondes pour entrer en mode Smart Care (Entretien intelligent). (uniquement pour le modèle WF45M5500A*)
 - Appuyez sur le bouton **Smart Care (Entretien intelligent)** pour entrer en mode Smart Care (Entretien intelligent). (uniquement pour le modèle WF45M5100A*)
2. Exécutez l'application Samsung Smart Washer sur votre appareil mobile, puis appuyez légèrement sur **Smart Care (Entretien intelligent)**.
3. Présentez l'appareil mobile face à l'écran du lave-linge de sorte que les deux soient face à face. Le code d'information sera alors automatiquement reconnu par l'application.
4. Une fois le code d'information correctement reconnu, l'application fournit des informations détaillées concernant le symptôme ainsi que les mesures à prendre.

REMARQUE

- Le nom de la fonction, Smart Care (Entretien intelligent), peut varier selon la langue.
- Si la lumière réfléchit sur l'écran, l'application peut ne pas parvenir à reconnaître le code d'information.
- Si l'application ne parvient pas à reconnaître le code Smart Care (Entretien intelligent) à plusieurs reprises, saisissez le code d'information manuellement sur l'écran de l'application.

Vidange d'urgence

En cas de panne de courant, vidangez l'eau à l'intérieur du tambour avant de sortir le linge.



1. Mettez hors tension et débranchez le lave-linge de la prise électrique.
2. Appuyez doucement sur la **partie supérieure du cache du filtre** pour l'ouvrir.
3. Placez un récipient vide et volumineux autour du cache et étirez le **tuyau de vidange d'urgence** vers le récipient, tout en tenant le **bouchon du tuyau (A)** en place.
4. Ouvrez le **bouchon du tuyau** et laissez l'eau s'écouler du **tuyau de vidange d'urgence (B)** dans le récipient.
5. Une fois l'opération terminée, fermez le **bouchon du tuyau** et réinsérez le tuyau. Ensuite, fermez le **cache du filtre**.

REMARQUE

Utilisez un récipient volumineux car la quantité d'eau présente dans le tambour peut être plus importante que prévu.

Maintenance

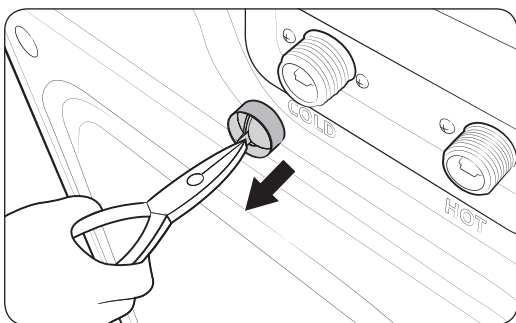
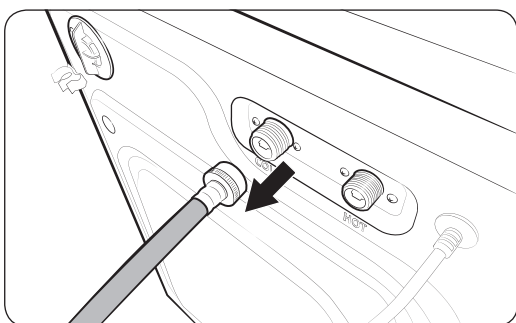
Nettoyage

Surface du lave-linge

Utilisez un chiffon doux avec un produit d'entretien ménager non abrasif. Ne versez pas d'eau sur le lave-linge.

Filtre à maille

Nettoyez le filtre à maille du tuyau d'eau une fois ou deux par an.



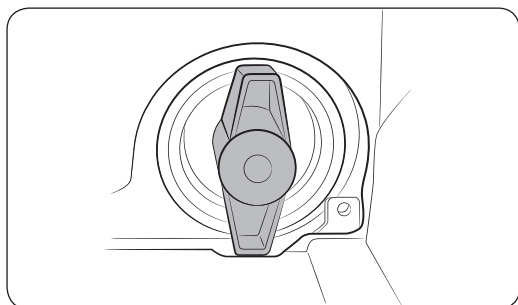
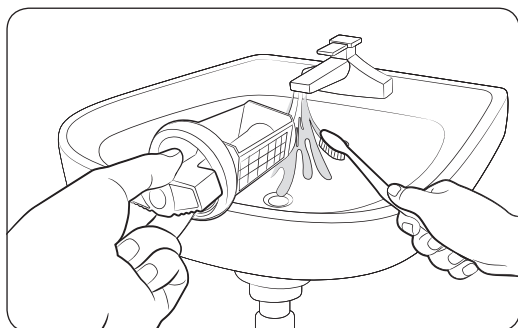
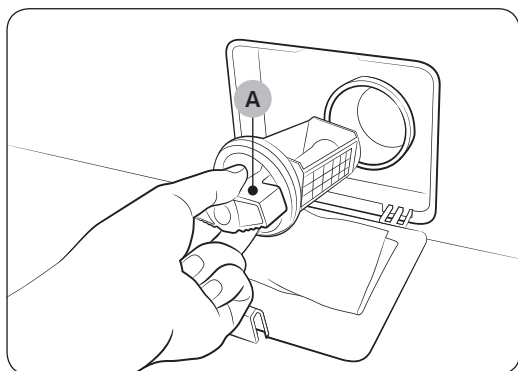
1. Éteignez le lave-linge et débranchez le cordon d'alimentation.
2. Fermez le robinet.
3. Desserrez et débranchez le tuyau d'eau à l'arrière du lave-linge. Recouvrez le tuyau à l'aide d'un chiffon afin d'éviter que de l'eau ne coule à flots.
4. Utilisez une pince pour retirer le filtre à maille au niveau de la vanne d'arrivée d'eau.
5. Plongez le filtre à maille en profondeur dans de l'eau de sorte que le raccord fileté soit lui aussi submergé.
6. Faites sécher complètement le filtre à maille à l'ombre.
7. Réinstallez le filtre à maille dans la vanne d'arrivée d'eau et rebranchez le tuyau d'eau sur cette dernière.
8. Ouvrez le robinet.

REMARQUE

Si le filtre à maille est bouché, le code d'information « 4C » apparaît à l'écran.

Filtre de la pompe

Il est recommandé de nettoyer le filtre de la pompe 5 ou 6 fois par an, afin d'éviter qu'il ne se bouche. Un filtre de pompe bouché peut réduire l'effet des bulles.



1. Éteignez le lave-linge et débranchez le cordon d'alimentation.
2. Vidangez le reste d'eau à l'intérieur du tambour. Reportez-vous à la section « Vidange d'urgence ».
3. Appuyez doucement sur la **partie supérieure du cache du filtre** pour l'ouvrir.
4. Tournez le **bouton du filtre de la pompe (A)** sur la gauche et vidangez le reste d'eau.
5. Nettoyez le **filtre de la pompe** à l'aide de brosses souples. Assurez-vous que l'hélice de la pompe de vidange située à l'intérieur du filtre n'est pas bloquée.
6. Réinstallez le **filtre de la pompe** et tournez le bouton du filtre sur la droite.
7. Fermez le **capot du filtre**.

REMARQUE

- Certains filtres de pompes sont équipés d'un bouton de sécurité conçu pour éviter que les enfants n'ouvrent accidentellement le compartiment du filtre. Pour ouvrir le bouton de sécurité du **filtre de la pompe**, pressez-le et faites-le tourner dans le sens anti-horaire. Le mécanisme à ressort du bouton de sécurité aide à ouvrir le filtre.
- Pour fermer le bouton de sécurité du **filtre de la pompe**, faites-le tourner dans le sens horaire. Le ressort émet un son de cliquetis, ce qui est normal.

REMARQUE

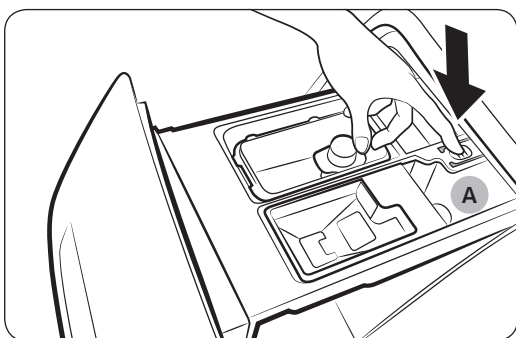
Si le filtre de la pompe est colmaté, le code d'information « 5C » apparaît sur l'écran d'affichage du lave-linge.

Maintenance

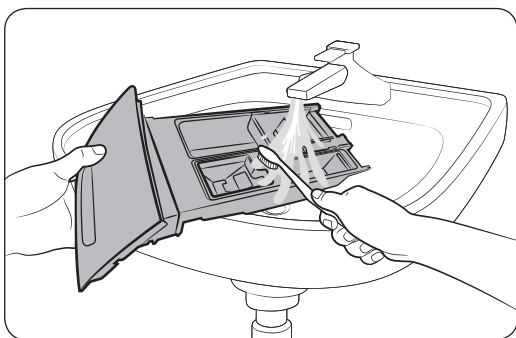
⚠ ATTENTION

- Assurez-vous que le bouton du filtre est correctement fermé après le nettoyage du filtre. Si ce n'est pas le cas, une fuite peut survenir.
- Assurez-vous que le filtre est correctement installé après son nettoyage. Si ce n'est pas le cas, cela peut provoquer une panne opérationnelle ou une fuite.

Tiroir à lessive



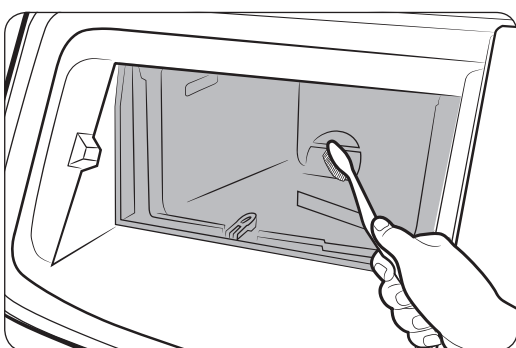
1. Tout en maintenant la **manette d'ouverture (A)** vers le bas à l'intérieur du tiroir, ouvrez le tiroir en le faisant glisser.
2. Retirez le **bac à lessive liquide** du tiroir.



3. Nettoyez les composants du tiroir à l'eau courante à l'aide d'une brosse souple.

📄 REMARQUE

Les autres parties du tiroir peuvent également être retirées. Elles peuvent tomber si vous retournez le tiroir.

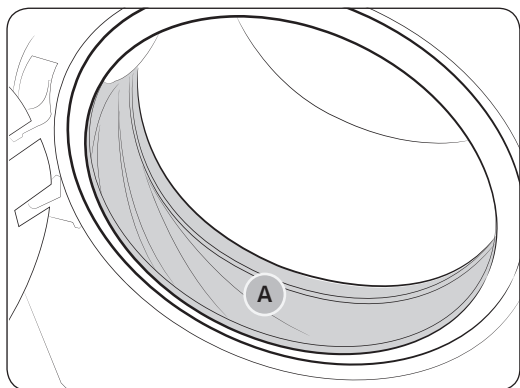


4. Nettoyez le compartiment du tiroir à l'aide d'une brosse souple.
5. Réinstallez la **manette d'ouverture** et le **bac à lessive liquide** sur le tiroir.
6. Glissez le tiroir dans son logement, et poussez-le vers l'intérieur jusqu'à ce qu'il soit entièrement fermé.

📄 REMARQUE

Pour retirer le restant de lessive, lancez le cycle **RINSE+SPIN (RINÇAGE+ESSORAGE)** avec le tambour vide.

Diaphragme du hublot



1. Ouvrez le hublot puis videz le tambour.
2. Mélangez 3/4 de tasse d'agent de blanchiment au chlore liquide et 1 gallon d'eau tiède du robinet.
3. Retournez le diaphragme (A).
4. Après vous être équipé de gants en caoutchouc, utilisez un chiffon propre et doux imbibé d'eau et de solution de blanchiment pour nettoyer le diaphragme.
5. Laissez poser 5 minutes, puis essuyez le tout et séchez bien.
6. Réinstallez le diaphragme en place.

ATTENTION

Vous devez manipuler et conserver l'agent de blanchiment conformément aux instructions du fabricant.

Reprise après congélation

Le lave-linge peut congeler lorsque la température chute en-dessous de 0 °C.

1. Éteignez le lave-linge et débranchez le cordon d'alimentation.
2. Versez de l'eau tiède sur le robinet pour assouplir le tuyau d'eau.
3. Débranchez le tuyau d'eau et plongez-le dans de l'eau tiède.
4. Versez de l'eau tiède dans le tambour et laissez-la agir pendant environ 10 minutes.
5. Rebranchez le tuyau d'eau sur le robinet.

REMARQUE

Si le lave-linge ne fonctionne toujours pas normalement, recommencez les étapes ci-dessus jusqu'à ce qu'il fonctionne normalement.

Entretien en cas d'inutilisation prolongée

Évitez de laisser le lave-linge inutilisé pendant une période prolongée. Si cela est nécessaire, vidangez le lave-linge et débranchez le cordon d'alimentation.

1. Faites tourner le **Sélecteur de cycle** pour sélectionner le cycle **RINSE+SPIN (RINÇAGE+ESSORAGE)**.
2. Videz le tambour et appuyez sur le bouton **START/PAUSE (DÉPART/PAUSE)**.
3. Une fois le cycle terminé, fermez le robinet et débranchez le tuyau d'eau.
4. Éteignez le lave-linge et débranchez le cordon d'alimentation.
5. Ouvrez le hublot pour laisser l'air circuler à travers le tambour.

Maintenance

Nettoyer l'extérieur

1. Fermez les robinets d'arrivée d'eau après avoir terminé la lessive de la journée.
Cela permettra de couper l'arrivée d'eau dans votre lave-linge et d'empêcher tout dégât des eaux potentiel. Laissez le hublot ouvert pour permettre à l'intérieur de votre lave-linge de sécher.
2. Utilisez un chiffon doux pour essuyer les traces de lessive, d'agent de blanchiment ou d'autres produits sur les parois de la machine.
Conseils de nettoyage recommandés :
 - Panneau de commande : nettoyez-le avec un chiffon doux et humide. N'utilisez pas de poudres abrasives ni de tampons à récurer. Ne vaporisez aucun produit d'entretien directement sur le panneau de commande.
 - Châssis : nettoyez-le à l'eau et au savon.

Nettoyer l'intérieur

Nettoyez régulièrement le tambour pour enlever la poussière, la saleté, les odeurs, les moisissures ou les bactéries qui pourraient s'y être accumulées après une lessive.

ATTENTION

Le non-respect de ces instructions peut avoir des conséquences désagréables, comme le dégagement d'odeurs désagréables ou le transfert de traces indélébiles sur le lave-linge ou le linge.

REMARQUE

Éliminez les dépôts calcaires si besoin. Utilisez un produit adapté aux lave-linge.

Dépannage

Contrôles

Si vous rencontrez un problème avec le lave-linge, consultez d'abord le tableau ci-dessous et essayez les actions suggérées.

Problème	Action
L'appareil ne démarre pas.	<ul style="list-style-type: none">Assurez-vous que le lave-linge est branché.Assurez-vous que le hublot est correctement fermé.Assurez-vous que les robinets sont ouverts.Assurez-vous d'avoir pressé ou appuyé légèrement sur le bouton START/PAUSE (DÉPART/PAUSE) pour démarrer le lave-linge.Assurez-vous que la fonction Sécurité enfant n'est pas activée.Avant de commencer à se remplir, le lave-linge émet une série de cliquetis pour vérifier le bon verrouillage du hublot et il effectue une vidange rapide.Vérifiez les fusibles ou réarmez le disjoncteur.
L'arrivée d'eau est insuffisante ou interrompue.	<ul style="list-style-type: none">Ouvrez entièrement le robinet.Assurez-vous que le hublot est correctement fermé.Assurez-vous que le tuyau d'arrivée d'eau n'est pas gelé.Assurez-vous que le tuyau d'arrivée d'eau n'est pas entortillé ou bouché.Assurez-vous que la pression de l'eau est suffisante.
En fin de programme, de la lessive subsiste dans le tiroir à lessive.	<ul style="list-style-type: none">Assurez-vous que la pression d'eau est suffisante pour faire fonctionner le lave-linge.Assurez-vous que de la lessive a été ajoutée dans le compartiment central du tiroir à lessive.Assurez-vous que le bouchon de rinçage est correctement inséré.Si vous utilisez la lessive en poudre, assurez-vous que le sélecteur de lessive est en position haute.Enlevez le bouchon de rinçage et nettoyez le tiroir à lessive.
Le lave-linge vibre d'une manière excessive ou émet du bruit.	<ul style="list-style-type: none">Assurez-vous que le lave-linge est installé sur un sol plat, solide et non glissant. Si le sol n'est pas plat, utilisez les pieds réglables pour ajuster la hauteur du lave-linge.Assurez-vous que les vis de transport ont été retirées.Assurez-vous que le lave-linge n'est en contact avec aucun autre objet.Assurez-vous que la charge de linge est bien équilibrée.Le moteur peut générer du bruit lors du fonctionnement normal.Des salopettes ou des vêtements comportant des éléments métalliques peuvent générer du bruit lors du lavage. Ceci est tout à fait normal.Des objets tels que des pièces de monnaie peuvent provoquer du bruit. Après le lavage, retirez ces objets du tambour ou du boîtier du filtre.

Dépannage

Problème	Action
Le lave-linge ne se vidange pas et/ou n'essore pas.	<ul style="list-style-type: none">• Assurez-vous que le tuyau de vidange est toujours droit dans le système de vidange. Si la vidange ne s'effectue pas, appelez le service de dépannage.• Assurez-vous que le filtre à impuretés n'est pas bouché.• Fermez le hublot et appuyez sur le bouton START/PAUSE (DÉPART/PAUSE). Pour des raisons de sécurité, le lave-linge ne tourne et n'essore pas tant que le hublot n'est pas fermé.• Assurez-vous que le tuyau de vidange n'est pas gelé ou bouché.• Assurez-vous que le tuyau de vidange est raccordé à un système de vidange non obstrué.• Si l'alimentation électrique du lave-linge n'est pas suffisante, le lave-linge ne se vidange pas ou n'essore pas temporairement. Dès que l'alimentation électrique est à nouveau suffisante, le lave-linge fonctionne normalement.
Le hublot ne s'ouvre pas.	<ul style="list-style-type: none">• Pressez ou appuyez légèrement sur le bouton START/PAUSE (DÉPART/PAUSE) pour arrêter le lave-linge.• Le mécanisme de verrouillage du hublot se débloque après quelques minutes.• Le hublot ne s'ouvre que 3 minutes après l'arrêt ou la mise hors tension du lave-linge.• Vérifiez que toute l'eau a été vidangée.• Le hublot ne s'ouvre pas si de l'eau reste dans le tambour. Vidangez le tambour et ouvrez le hublot normalement.• Vérifiez que le voyant de verrouillage du tambour est éteint. Le voyant de verrouillage du hublot s'éteint après la vidange du lave-linge.
Quantité de mousse trop importante.	<ul style="list-style-type: none">• Assurez-vous d'utiliser les types de lessive recommandés.• Utilisez une lessive haute efficacité pour empêcher la surproduction de mousse.• Réduisez la quantité de lessive pour les lavages à l'eau douce, les petites charges ou pour le linge peu sale.• Il est vivement conseillé d'utiliser une lessive haute efficacité.
Impossible mettre de la lessive supplémentaire.	<ul style="list-style-type: none">• Assurez-vous que la quantité de lessive et d'assouplissant restante ne dépasse pas la limite.



Problème	Action
Le lave-linge s'arrête.	<ul style="list-style-type: none">• Branchez le cordon d'alimentation sur une prise électrique qui fonctionne.• Vérifiez les fusibles ou réarmez le disjoncteur.• Fermez le hublot et appuyez sur le bouton START/PAUSE (DÉPART/PAUSE) pour démarrer le lave-linge. Pour des raisons de sécurité, le lave-linge ne tourne et n'essore pas tant que le hublot n'est pas fermé.• Avant de commencer à se remplir, le lave-linge émet une série de cliquetis pour vérifier le bon verrouillage du hublot et il effectue une vidange rapide.• Le cycle peut comporter une phase de pause ou de trempage. Il se peut que le lave-linge se remette en marche après quelques minutes.• Assurez-vous que le filtre à maille du tuyau d'arrivée d'eau sur les robinets n'est pas bouché. Nettoyez le filtre à maille régulièrement.• Si l'alimentation électrique du lave-linge n'est pas suffisante, le lave-linge ne se vidange pas ou n'essore pas temporairement. Dès que l'alimentation électrique est à nouveau suffisante, le lave-linge fonctionne normalement.
La température de l'eau lors du remplissage n'est pas correcte.	<ul style="list-style-type: none">• Ouvrez entièrement les deux robinets.• Vérifiez le choix de la température.• Assurez-vous que les tuyaux sont branchés sur les bons robinets. Rincez les canalisations d'eau.• Assurez-vous que le chauffe-eau est réglé sur une température de 120 °F (49 °C) minimum. Vérifiez également la capacité et le taux de récupération du chauffe-eau.• Débranchez les tuyaux et nettoyez les filtres à maille. Les filtres à maille peuvent être obstrués.• Lors du remplissage du lave-linge, la température de l'eau est susceptible de varier car la fonction de contrôle automatique de la température vérifie la température de l'eau entrante. Ceci est tout à fait normal.• Lors du remplissage du lave-linge, vous pouvez remarquer que de l'eau chaude et/ou froide passe par le distributeur alors qu'une température de lavage contraire est sélectionnée. Ceci est tout à fait normal ; ce phénomène est dû à la fonction de contrôle automatique de la température chargée d'établir la température de l'eau.
Le linge n'est pas essoré correctement.	<ul style="list-style-type: none">• Utilisez la vitesse de l'essorage High (Élevée) ou Extra High (Très élevée).• Utilisez une lessive haute efficacité (HE) pour réduire la production de mousse.• La charge n'est pas assez importante. De petites charges (un ou deux articles) risquent de mal se répartir et donc de mal être essorées.• Assurez-vous que le tuyau de vidange n'est pas emmêlé ou bouché.



Dépannage

Problème	Action
De l'eau fuit du lave-linge.	<ul style="list-style-type: none">• Assurez-vous que le hublot est correctement fermé.• Vérifiez que tous les raccordements des tuyaux sont bien serrés.• Assurez-vous que l'extrémité du tuyau de vidange est bien insérée et fixée au système de vidange.• Éviter toute surcharge.• Utilisez une lessive haute efficacité pour empêcher la surproduction de mousse.
Présence d'odeurs.	<ul style="list-style-type: none">• De la mousse trop importante s'accumule dans les renforcements et peut entraîner de mauvaises odeurs.• Exécutez des programmes de lavage pour stériliser de manière périodique.• Nettoyez le joint du hublot (diaphragme).• Faites sécher l'intérieur du lave-linge lorsqu'un cycle est terminé.
Pas de bulles visibles (modèles Bubbleshot uniquement).	<ul style="list-style-type: none">• Une surcharge peut masquer les bulles.• Plusieurs vêtements contaminés peuvent empêcher la génération des bulles.

Si un problème persiste, prenez contact avec un centre de service Samsung local.

Codes d'information

Si le lave-linge ne parvient pas à fonctionner, vous pouvez voir un code d'information s'afficher à l'écran. Consultez le tableau ci-dessous et essayez les actions suggérées.

Code	Action
1C	Vérifiez le capteur de niveau d'eau. <ul style="list-style-type: none">• Mettez le lave-linge hors tension puis, après 2 ou 3 minutes, remettez-le sous tension et réessayez.• En fonction du modèle, le système de vidange purge l'eau automatiquement. Les boutons POWER (MARCHE/ARRÊT) et START/PAUSE (DÉPART/PAUSE) peuvent être désactivés pendant ce processus.
DC	Le hublot est ouvert. <ul style="list-style-type: none">• Fermez le hublot et appuyez sur le bouton START/PAUSE (DÉPART/PAUSE) pour reprendre le fonctionnement.
DC1	Vérifiez l'interrupteur du hublot. <ul style="list-style-type: none">• Mettez le lave-linge hors tension puis, après 2 ou 3 minutes, remettez-le sous tension et réessayez.
LC	Vérifiez l'absence de fuites d'eau. <ul style="list-style-type: none">• Mettez le lave-linge hors tension et vérifiez l'absence de fuites au niveau du système de vidange. Une fois la fuite réparée, mettez le lave-linge sous tension après 2 ou 3 minutes.• En fonction du modèle, le système de vidange purge l'eau automatiquement. Les boutons POWER (MARCHE/ARRÊT) et START/PAUSE (DÉPART/PAUSE) peuvent être désactivés pendant ce processus.
4C	Vérifiez le conduit d'arrivée d'eau. <ul style="list-style-type: none">• Vérifiez le raccordement du conduit d'eau (y compris les robinets d'eau).• Mettez le lave-linge hors tension puis, après 2 ou 3 minutes, remettez-le sous tension et réessayez.• En fonction du modèle, le système de vidange purge l'eau automatiquement. Les boutons POWER (MARCHE/ARRÊT) et START/PAUSE (DÉPART/PAUSE) peuvent être désactivés pendant ce processus.
4C2	Le linge nécessite une protection car l'eau alimentée est trop chaude. <ul style="list-style-type: none">• Assurez-vous que les robinets d'eau froide et d'eau chaude sont correctement raccordés.• Mettez le lave-linge hors tension puis, après 2 ou 3 minutes, remettez-le sous tension et réessayez.

Dépannage

Code	Action
5C	Vérifiez le système de vidange. <ul style="list-style-type: none">Assurez-vous que le filtre de vidange n'est pas bouché.Si le filtre de vidange est bouché, nettoyez-le et redémarrez le lave-linge.
HC	Vérifiez l'élément chauffant de lavage. <ul style="list-style-type: none">Mettez le lave-linge hors tension et prenez contact avec un centre de service clientèle.
UB	Vérifiez le processus d'essorage. <ul style="list-style-type: none">Il se peut que la charge ne soit pas équilibrée à l'intérieur du tambour. Vérifiez le tambour et assurez-vous que la charge est équilibrée.Appuyez sur le bouton START/PAUSE (DÉPART/PAUSE) pour reprendre le fonctionnement, ou mettez le lave-linge hors tension puis sous tension après 2 ou 3 minutes et réessayez.
8C, 8C1, 8C2	Vérifiez le capteur MEMS. <ul style="list-style-type: none">Mettez le lave-linge hors tension puis, après 2 ou 3 minutes, remettez-le sous tension et réessayez.
OC	De l'eau peut déborder. <ul style="list-style-type: none">Fermez la vanne d'arrivée d'eau, puis appelez le centre de service pour demander l'entretien.
3C	Vérifiez le moteur. <ul style="list-style-type: none">Mettez le lave-linge hors tension puis, après 2 ou 3 minutes, remettez-le sous tension et réessayez.
AC6	Vérifiez l'état des communications de la carte de circuit imprimé. <ul style="list-style-type: none">Mettez le lave-linge hors tension puis, après 2 ou 3 minutes, remettez-le sous tension et réessayez.
9C1/9C2	Le contrôle électronique doit être vérifié. <ul style="list-style-type: none">Vérifiez si l'alimentation électrique est correctement fournie.Si le code d'information subsiste, contactez un centre de service.
SF	Le système est en panne. <ul style="list-style-type: none">Mettez le lave-linge hors tension et prenez contact avec un centre de service clientèle.





Si un code d'information continue d'apparaître à l'écran, contactez un centre de service Samsung local.

Caractéristiques techniques

Tableau des symboles textiles

Les symboles suivants fournissent des conseils d'entretien des vêtements. Les étiquettes d'entretien des vêtements incluent des symboles relatifs au séchage, au blanchiment, au séchage et repassage ou au nettoyage à sec, le cas échéant. L'utilisation de ces symboles garantit la cohérence des informations entre les fabricants de vêtements (articles domestiques ou importés). Suivez les directives figurant sur l'étiquette d'entretien afin d'optimiser la durée de vie de votre linge et d'éviter des problèmes de lavage.

Cycle de lavage

	NORMAL
	Repassage facile / Infroissable / Anti-froissage
	Délicat
	Lavage main

Température de l'eau




...	Chaud
..	Tiède
.	Froid

REMARQUE



Il s'agit des températures appropriées de l'eau de lavage pour divers articles. Les niveaux de températures sont : Chaude 106 à 126 °F (41 à 52 °C), Tiède 84 à 106 °F (29 à 41 °C) et Froide 61 à 84 °F (16 à 29 °C).

La température de l'eau de lavage doit être d'au moins 61 °F (16 °C) pour activer les agents nettoyeurs et obtenir un lavage efficace.




Agent de blanchiment

	Tout type (si nécessaire)
	Agent de blanchiment non chloré (non décolorant) uniquement (si nécessaire)
	Séchage en machine

NORMAL

	Repassage facile / Infroissable / Anti-froissage
	Délicat

Instructions spéciales




	Séchage en suspension
	Séchage sans essorage
	Séchage à plat

Température




	Élevée
	Moyenne
	Basse
	Toutes températures
	Sans chaleur / À l'air libre




Caractéristiques techniques

Températures de repassage facile ou vapeur






	Élevée
	Moyenne
	Basse

Symboles d'avertissement pour le lavage

	Ne pas laver
	Ne pas tordre
	Pas de chlorage

	Séchage en machine interdit
	Pas de vapeur (ajoutée au fer à repasser)
	Pas de repassage

Nettoyage à sec

	Nettoyage à sec
	Pas de nettoyage à sec
	Séchage sur corde / En suspension
	Séchage sans essorage
	Séchage à plat

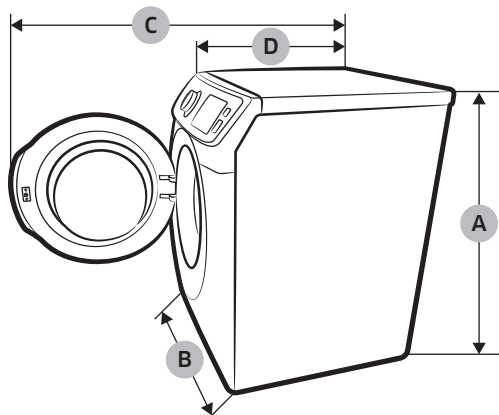
Protection de l'environnement

- Cet appareil a été fabriqué à partir de matériaux recyclables. Si vous décidez de vous en débarrasser, veuillez respecter les normes locales en matière de traitement des déchets. Coupez le cordon d'alimentation de façon à ce que l'appareil ne puisse pas être raccordé à une source électrique. Enlevez le couvercle pour que des animaux et des jeunes enfants ne se retrouvent pas piégés à l'intérieur de l'appareil.
- Ne dépassez pas les quantités de lessive préconisées par le fabricant de la lessive.
- N'utilisez de produits détachants et blanchissants avant le programme de lavage qu'en cas de nécessité.
- Économisez de l'eau et de l'électricité en ne faisant tourner que des charges pleines (la charge exacte dépend du programme utilisé).

Déclaration de conformité

Cet appareil est conforme à la norme UL2157.

Fiche de caractéristiques techniques



Type			Lave-linge à chargement frontal	
			WF45M5500A*	WF45M5100A*
Dimensions (pouces (mm))	A. Hauteur totale		38,7 (984)	
	B. Largeur		27 (686)	
	C. Profondeur avec hublot ouvert		54,6 (1387)	
	D. Profondeur		34 (864)	
Pression d'eau (psi (kPa))			20-116 (137-800)	
Poids NET (lb (kg))			218 (99)	
Vitesse d'essorage			1300 tr/min	
Puissance de chauffe			900 W	-
Puissance absorbée	Lavage	120 V	200 W	200 W
	Lavage et chauffage	120 V	1150 W	-
	Essorage	120 V	550 W	550 W
	Vidange	120 V	80 W	80 W

Caractéristiques techniques

Tableau des cycles

Utilisez ce tableau afin de définir les programmes et options les mieux adaptés à votre linge.

REMARQUE

Réglage	Temp. (Température)	Spin (Essorage)	Soil Level (Degré de salissure)
● : réglage d'usine	EH : Très chaud	H : Élevée	H : Très sale
● : peut être sélectionné	H : Chaud	M : Moyenne	-
	W : Tiède	L : Basse	N : Normal
	C : Frais	NS : Sans essorage	-
	CD : Froid	RH : Arrêt cuve pleine	L : Peu sale

WF45M5500A*

Cycle	Fonctions												
	Temp. (Température)					Spin (Essorage)					Soil Level (Degré de salissure)		
	EH	H	W	C	CD	H	M	L	NS	RH	H	N	L
NORMAL	●	●	●	●	●	●	●		●	●	●	●	●
HEAVY DUTY (GRAND RENDEMENT)	●	●	●	●	●	●	●	●	●	●	●	●	●
BEDDING (DRAPS)			●	●	●		●	●	●	●	●	●	●
SANITIZE (STÉRILISATION)	●					●	●	●	●	●	●	●	●
ALLERGEN (ANTI-ACARIENS)		●				●	●	●	●	●	●	●	●
RINSE+SPIN (RINÇAGE+ESSORAGE)						●	●	●	●	●			
PERM PRESS			●	●	●	●	●	●	●	●	●	●	●
DELICATES (DÉLICAT)			●	●	●			●	●	●	●	●	●
QUICK WASH (LAVAGE EXPRESS)		●	●	●	●	●	●	●	●	●	●	●	●
DEEP STEAM (VAPEUR PROF.)		●				●	●	●	●	●	●		
Self Clean+ (Auto-nettoyage+)	●					●							

Cycle	Options					
	Extra Rinse (Rinçage intensif)	Extra Spin (Essorage intensif)	Spin Only (Essorage uniquement)	Steam (Vapeur)	Delay End (Arrêt différé)	My Cycle (Mon cycle)
NORMAL	●	●	●	●	●	●
HEAVY DUTY (GRAND RENDEMENT)	●	●	●	●	●	●
BEDDING (DRAPS)	●	●	●	●	●	●
SANITIZE (STÉRILISATION)	●	●	●	●	●	●
ALLERGEN (ANTI-ACARIENS)	●	●	●	●	●	●
RINSE+SPIN (RINÇAGE+ESSORAGE)	●	●	●		●	●
PERM PRESS	●	●	●		●	●
DELICATES (DÉLICAT)	●				●	●
QUICK WASH (LAVAGE EXPRESS)	●		●		●	●
DEEP STEAM (VAPEUR PROF.)	●	●	●	●	●	●
Self Clean+ (Auto-nettoyage+)				●	●	

Utilisez ce tableau afin de définir les programmes et options les mieux adaptés à votre linge.

REMARQUE

Réglage	Temp. (Température)	Spin (Essorage)	Soil Level (Degré de salissure)
● : réglage d'usine	H : Chaud	H : Élevée	H : Très sale
● : peut être sélectionné	W : Tiède	M : Moyenne	-
	C : Cool (Frais)	L : Basse	N : Normal
	CD : Cold (Froid)	NS : Sans essorage	-
	-	RH : Arrêt cuve pleine	L : Peu sale

WF45M5100A*

Cycle	Fonctions											
	Temp. (Température)				Spin (Essorage)					Soil Level (Degré de salissure)		
	H	W	C	CD	H	M	L	NS	RH	H	N	L
NORMAL	●	●	●	●	●	●		●	●	●	●	●
HEAVY DUTY (GRAND RENDEMENT)	●	●	●	●	●	●	●	●	●	●	●	●
BEDDING (DRAPS)		●	●	●		●	●	●	●	●	●	●
ACTIVE WEAR (VÊTEMENTS DE SPORT)		●	●	●			●	●	●	●	●	●
RINSE+SPIN (RINÇAGE+ESSORAGE)					●	●	●	●	●			
PERM PRESS		●	●	●	●	●	●	●	●	●	●	●
DELICATES (DÉLICAT)		●	●	●			●	●	●	●	●	●
QUICK WASH (LAVAGE EXPRESS)	●	●	●	●	●	●	●	●	●	●	●	●
Self Clean+ (Auto-nettoyage+)	●				●							

Cycle	Options				
	Extra Rinse (Rinçage intensif)	Extra Spin (Essorage intensif)	Spin Only (Essorage uniquement)	Delay End (Arrêt différé)	My Cycle (Mon cycle)
NORMAL	●	●	●	●	●
HEAVY DUTY (GRAND RENDEMENT)	●	●	●	●	●
BEDDING (DRAPS)	●	●	●	●	●
ACTIVE WEAR (VÊTEMENTS DE SPORT)	●	●	●	●	●
RINSE+SPIN (RINÇAGE+ESSORAGE)	●	●	●	●	●
PERM PRESS	●	●	●	●	●
DELICATES (DÉLICAT)	●		●	●	●
QUICK WASH (LAVAGE EXPRESS)	●		●	●	●
Self Clean+ (Auto-nettoyage+)				●	

Caractéristiques techniques

Garantie (ÉTATS-UNIS)

LAVE-LINGE SAMSUNG

GARANTIE LIMITÉE À L'ACHETEUR INITIAL

Ce produit de la marque SAMSUNG, fourni, distribué par SAMSUNG ELECTRONICS AMERICA, INC. (SAMSUNG) et livré neuf, s'accompagne d'une garantie de SAMSUNG contre tout vice de fabrication au niveau des pièces et de la main d'œuvre pendant une période limitée de :

Un (1) an pour les pièces et la main d'œuvre ; Trois (3) ans pour les pièces du tambour en acier inoxydable (pièces uniquement) ; Dix (10) ans pour les pièces du moteur de lavage à entraînement direct (pièces uniquement).

Cette garantie limitée prend effet à la date originale d'achat. Elle ne s'applique qu'aux produits achetés et utilisés aux États-Unis. Pour bénéficier de réparations dans le cadre de la présente garantie, l'acheteur doit contacter la société SAMSUNG afin qu'elle détermine l'origine du problème et une procédure de réparation. Les services de garantie peuvent être pris en charge uniquement par un centre de service agréé SAMSUNG. Lors de la remise d'un produit défectueux à SAMSUNG ou à un centre de service agréé SAMSUNG, l'acheteur est tenu de présenter le coupon d'achat d'origine à la demande des intéressés à titre de preuve d'achat. SAMSUNG s'engage à assurer un service de réparation gratuit à domicile pendant la période de garantie. Ce service est soumis à disponibilité sur le territoire des États-Unis. Le service à domicile n'est pas disponible pour toutes les zones.

Pour bénéficier du service à domicile, l'appareil doit être situé dans un emplacement accessible à notre personnel. Si ce service n'est pas disponible, SAMSUNG peut choisir de prendre à sa charge le transport aller/retour du produit vers un centre de service agréé.

La société SAMSUNG prendra en charge, à sa convenance, la réparation, le remplacement ou le remboursement du produit tel que stipulé dans les présentes conditions et procédera au remplacement ou au reconditionnement des pièces ou des produits si ces derniers s'avèrent défectueux dans la limite de la période de garantie mentionnée précédemment. Toutes les pièces et tous les produits remplacés deviennent la propriété de SAMSUNG et doivent être retournés à SAMSUNG. Les pièces de rechange et les produits sont couverts pour la période restante de garantie ou quatre-vingt-dix (90) jours, si la période de garantie est inférieure à 90 jours. La garantie limitée couvre les vices de fabrication relatifs aux matériaux et à la qualité d'exécution survenus dans le cadre d'une utilisation normale et non commerciale du produit et ne s'applique pas aux causes suivantes, comprenant, mais ne se limitant pas à : tout dommage survenant au cours de l'expédition, de la livraison et de l'installation ; toute utilisation de l'appareil contraire au but auquel il était destiné ; tout numéro de produit ou de série effacé ; tout dommage du revêtement extérieur ou de l'aspect du produit ; tout dommage causé par un accident, une utilisation non conforme, une négligence, un incendie ou une inondation, la foudre ou une autre catastrophe naturelle ; toute utilisation de produits, d'équipements, de systèmes, d'appareils, de services, de pièces, de fournitures, d'accessoires, d'applications, d'installations, de réparations, de câblages externes ou de connecteurs non fournis ou autorisés par SAMSUNG et susceptibles d'endommager ledit appareil ou de nuire à son fonctionnement ; toute surtension, fluctuation ou tension de ligne électrique incorrecte ; tout réglage effectué par l'acheteur et tout non-respect des consignes d'utilisation, de maintenance et de respect de l'environnement couvertes ou prescrites dans le présent carnet d'entretien ; tout démontage ou toute réinstallation de l'appareil ; tout problème résultant d'une prolifération d'insectes nuisibles. Cette garantie limitée ne couvre pas les problèmes résultant d'un courant, d'une tension ou d'une alimentation électrique incorrects, ainsi que d'ampoules électriques, de fusibles ou de câblage inappropriés. Elle ne couvre pas non plus le coût des appels au service d'assistance pour obtenir des instructions ou la réparation des erreurs d'installation. SAMSUNG ne garantit pas que l'appareil sera exempt de tout problème ou qu'il fonctionnera sans interruption.

SAUF EXCEPTION MENTIONNÉE DANS LE PRÉSENT DOCUMENT, SAMSUNG NE FOURNIT AUCUNE GARANTIE EXPRESSE OU IMPLICITE QUANT À CET APPAREIL, Y COMPRIS, MAIS SANS S'Y LIMITER, LES GARANTIES IMPLICITES DE QUALITÉ MARCHANDE, DE CONTREFAÇON OU D'APTITUDE À UN USAGE PARTICULIER.

Garantie (ÉTATS-UNIS)

AUCUNE GARANTIE, QU'ELLE SOIT DONNÉE PAR UN TIERS, UNE ENTREPRISE OU UNE PERSONNE MORALE, NE POURRA ÊTRE CONSIDÉRÉE COMME UN ENGAGEMENT VIS-À-VIS DE SAMSUNG. SAMSUNG NE SERA AUCUNEMENT RESPONSABLE EN CAS DE PERTE DE BÉNÉFICES, DE MANQUE À GAGNER, D'INCAPACITÉ À RÉALISER DES ÉCONOMIES OU TOUT AUTRE AVANTAGE FINANCIER OU D'AUTRES DOMMAGES SPÉCIAUX, ACCESSOIRES OU INDIRECTS RÉSULTANT DE L'UTILISATION OU D'UNE MAUVAISE UTILISATION DE CET APPAREIL OU D'UNE INCAPACITÉ À UTILISER CET APPAREIL, QUELLE QUE SOIT LA BASE JURIDIQUE INVOQUÉE POUR JUSTIFIER L'ASSERTION ET MÊME SI SAMSUNG A ÉTÉ AVISÉ DE L'ÉVENTUALITÉ DE TELS DOMMAGES.

LES INDEMNITÉS FINANCIÈRES EXIGÉES AUPRÈS DE SAMSUNG NE POURRONT EN AUCUN CAS EXCÉDER LE PRIX D'ACHAT DU PRODUIT VENDU PAR SAMSUNG ET À L'ORIGINE DES DOMMAGES INVOQUÉS. SANS LIMITATION AUX DISPOSITIONS SUSDITES, L'ACHETEUR ASSUME TOUS LES RISQUES ET TOUTES LES RESPONSABILITÉS EN CAS DE PERTE, DE DOMMAGES OU DE BLESSURES ÉVENTUELLES INFLIGÉS À L'ACHETEUR ET AUX BIENS DE CELUI-CI ET À TOUTE AUTRE PERSONNE ET AUX BIENS DE CELLE-CI RÉSULTANT DE L'UTILISATION OU DE LA MAUVAISE UTILISATION DE L'APPAREIL OU DE L'INCAPACITÉ À L'UTILISER. CETTE GARANTIE LIMITÉE N'EST VALABLE POUR PERSONNE D'AUTRE QUE L'ACHETEUR INITIAL DU PRODUIT, N'EST PAS TRANSFÉRABLE ET ÉNONCE VOTRE RECOURS EXCLUSIF.

Certains états n'autorisent pas les limitations de durée de garantie implicite, ou l'exclusion ou la limitation des dommages accidentels ou indirects. Dans un tel cas, les limitations ou exclusions spécifiées ci-dessus ne s'appliquent pas. La présente garantie vous octroie des droits spécifiques, ainsi que d'autres variant d'un état à un autre.

Pour bénéficier d'un service d'assistance couvert par votre garantie, contactez SAMSUNG à l'adresse suivante :

Samsung Electronics America, Inc.

85 Challenger Road

Ridgefield Park, NJ 07660

1-800-SAMSUNG (726-7864)

www.samsung.com/us/support

Les visites des techniciens de maintenance destinées à expliquer les fonctions, la maintenance ou l'installation n'est pas couverte par la garantie.

Veuillez contacter votre agent d'appel Samsung pour obtenir de l'aide sur l'une de ces questions.

Garantie (CANADA)

LAVE-LINGE SAMSUNG

GARANTIE LIMITÉE À L'ACHETEUR INITIAL

Ce produit de la marque SAMSUNG, tel que fourni et distribué par SAMSUNG ELECTRONICS CANADA, INC. (SAMSUNG) et livré neuf, s'accompagne d'une garantie de SAMSUNG contre tout vice de fabrication au niveau des pièces et de la main d'œuvre pendant une période limitée de :

Un (1) an pour les pièces et la main d'œuvre ; Dix (10) ans pour les pièces du moteur de lavage à entraînement direct (pièces uniquement).

Cette limite de garantie s'applique à compter de la date d'acquisition et couvre uniquement les produits achetés et utilisés au Canada. Pour bénéficier de réparations dans le cadre de la présente garantie, l'acheteur doit contacter la société SAMSUNG afin qu'elle détermine l'origine du problème et une procédure de réparation. Les services de garantie peuvent être pris en charge uniquement par un centre de service agréé SAMSUNG. Lors de la remise d'un produit défectueux à SAMSUNG ou à un centre de service agréé SAMSUNG, l'acheteur est tenu de présenter le coupon d'achat d'origine à la demande des intéressés à titre de preuve d'achat. SAMSUNG assurera un service de réparation gratuit à domicile pendant la période de garantie sujet à la disponibilité au Canada. Le service à domicile n'est pas disponible pour toutes les zones.

Pour bénéficier du service à domicile, l'appareil doit être situé dans un emplacement accessible à notre personnel. Si ce service n'est pas disponible, SAMSUNG peut choisir de prendre à sa charge le transport aller/retour du produit vers un centre de service agréé.

Garantie (CANADA)

La société SAMSUNG prendra en charge, à sa convenance, la réparation, le remplacement ou le remboursement du produit tel que stipulé dans les présentes conditions et procédera au remplacement ou au reconditionnement des pièces ou des produits si ces derniers s'avèrent défectueux dans la limite de la période de garantie mentionnée précédemment. Toutes les pièces et tous les produits remplacés deviennent la propriété de SAMSUNG et doivent être retournés à SAMSUNG. Les pièces de rechange et les produits sont couverts pour la période restante de garantie ou quatre-vingt-dix (90) jours, si la période de garantie est inférieure à 90 jours. La garantie limitée couvre les vices de fabrication relatifs aux matériaux et à la qualité d'exécution survenus dans le cadre d'une utilisation normale et non commerciale du produit et ne s'applique pas aux causes suivantes, comprenant, mais ne se limitant pas à : tout dommage survenant au cours de l'expédition, de la livraison et de l'installation ; toute utilisation de l'appareil contraire au but auquel il était destiné ; tout numéro de produit ou de série effacé ; tout dommage du revêtement extérieur ou de l'aspect du produit ; tout dommage causé par un accident, une utilisation non conforme, une négligence, un incendie ou une inondation, la foudre ou une autre catastrophe naturelle ; toute utilisation de produits, d'équipements, de systèmes, d'appareils, de services, de pièces, de fournitures, d'accessoires, d'applications, d'installations, de réparations, de câblages externes ou de connecteurs non fournis ou autorisés par SAMSUNG et susceptibles d'endommager ledit appareil ou de nuire à son fonctionnement ; toute surtension, fluctuation ou tension de ligne électrique incorrecte ; tout réglage effectué par l'acheteur et tout non-respect des consignes d'utilisation, de maintenance et de respect de l'environnement couvertes ou prescrites dans le présent carnet d'entretien ; tout démontage ou toute réinstallation de l'appareil ; tout problème résultant d'une prolifération d'insectes nuisibles. Cette garantie limitée ne couvre pas les problèmes résultant d'un courant, d'une tension ou d'une alimentation électrique incorrects, ainsi que d'ampoules électriques, de fusibles ou de câblage inappropriés. Elle ne couvre pas non plus le coût des appels au service d'assistance pour obtenir des instructions ou la réparation des erreurs d'installation. SAMSUNG ne garantit pas que l'appareil sera exempt de tout problème ou qu'il fonctionnera sans interruption.

SAUF EXCEPTION MENTIONNÉE DANS LE PRÉSENT DOCUMENT, SAMSUNG NE FOURNIT AUCUNE GARANTIE EXPRESSE OU IMPLICITE QUANT À CET APPAREIL, Y COMPRIS, MAIS SANS S'Y LIMITER, LES GARANTIES IMPLICITES DE QUALITÉ MARCHANDE, DE CONTREFAÇON OU D'APTITUDE À UN USAGE PARTICULIER.

AUCUNE GARANTIE, QU'ELLE SOIT DONNÉE PAR UN TIERS, UNE ENTREPRISE OU UNE PERSONNE MORALE, NE POURRA ÊTRE CONSIDÉRÉE COMME UN ENGAGEMENT VIS-À-VIS DE SAMSUNG. SAMSUNG NE SERA AUCUNEMENT RESPONSABLE EN CAS DE PERTE DE BÉNÉFICES, DE MANQUE À GAGNER, D'INCAPACITÉ À RÉALISER DES ÉCONOMIES OU TOUT AUTRE AVANTAGE FINANCIER OU D'AUTRES DOMMAGES SPÉCIAUX, ACCESSOIRES OU INDIRECTS RÉSULTANT DE L'UTILISATION OU D'UNE MAUVAISE UTILISATION DE CET APPAREIL OU D'UNE INCAPACITÉ À UTILISER CET APPAREIL, QUELLE QUE SOIT LA BASE JURIDIQUE INVOQUÉE POUR JUSTIFIER L'ASSERTION ET MÊME SI SAMSUNG A ÉTÉ AVISÉ DE L'ÉVENTUALITÉ DE TELS DOMMAGES.

LES INDEMNITÉS FINANCIÈRES EXIGÉES AUPRÈS DE SAMSUNG NE POURRONT EN AUCUN CAS EXCÉDER LE PRIX D'ACHAT DU PRODUIT VENDU PAR SAMSUNG ET À L'ORIGINE DES DOMMAGES INVOQUÉS. SANS LIMITATION AUX DISPOSITIONS SUSDITES, L'ACHETEUR ASSUME TOUS LES RISQUES ET TOUTES LES RESPONSABILITÉS EN CAS DE PERTE, DE DOMMAGES OU DE BLESSURES ÉVENTUELLES INFLIGÉS À L'ACHETEUR ET AUX BIENS DE CELUI-CI ET À TOUTE AUTRE PERSONNE ET AUX BIENS DE CELLE-CI RÉSULTANT DE L'UTILISATION OU DE LA MAUVAISE UTILISATION DE L'APPAREIL OU DE L'INCAPACITÉ À L'UTILISER. CETTE GARANTIE LIMITÉE N'EST VALABLE POUR PERSONNE D'AUTRE QUE L'ACHETEUR INITIAL DU PRODUIT, N'EST PAS TRANSFÉRABLE ET ÉNONCE VOTRE RECOURS EXCLUSIF.

Certaines provinces n'autorisent pas de limitations quant à la durée des garanties implicites ni l'exclusion ou la limitation de dommages accessoires ou indirects ; il se peut par conséquent que les limitations et exclusions énoncées ci-dessus ne s'appliquent pas à votre cas.

La présente garantie vous octroie des droits spécifiques, ainsi que d'autres variant d'une province à une autre.

Pour bénéficier d'un service d'assistance couvert par votre garantie, contactez SAMSUNG à l'adresse suivante :

Samsung Electronics Canada Inc.
2050 Derry Road West,
Mississauga, Ontario L5N 0B9 Canada
1-800-SAMSUNG (726-7864)
www.samsung.com/ca/support (English)
www.samsung.com/ca_fr/support (French)
FAX : 1-866-436-4617

Les visites des techniciens de maintenance destinées à expliquer les fonctions, la maintenance ou l'installation n'est pas couverte par la garantie.

Veuillez contacter votre agent d'appel Samsung pour obtenir de l'aide sur l'une de ces questions.



Scan the QR code* or visit
www.samsung.com/spsn
 to view our helpful
 How-to Videos and Live Shows

*Requires reader to be installed on your smartphone

Scan this with your smartphone

DES QUESTIONS OU DES COMMENTAIRES ?

PAYS	APPELEZ LE	OU RENDEZ-VOUS SUR LE SITE
U.S.A	1-800-SAMSUNG (726-7864) 1-844-SAM-PAYS (726-7297)	www.samsung.com/us/support
CANADA	1-800-SAMSUNG(726-7864) 1-844-SAM-PAYS (726-7297)	www.samsung.com/ca/support (English) www.samsung.com/ca_fr/support (French)



DC68-03773A-03



Lavadora

Manual del usuario

WF45M5500A*/WF45M5100A*

SAMSUNG

Contenido

Información sobre seguridad	4
Lo que necesita saber sobre las instrucciones de seguridad	4
Símbolos de seguridad importantes	4
Precauciones de seguridad importantes	5
Advertencias fundamentales para la instalación	6
Precauciones para la instalación	8
Advertencias fundamentales para el uso	8
Precauciones de uso	10
Advertencias fundamentales para la limpieza	13
Instalación	14
Desempaque de la lavadora	14
Componentes	15
Requisitos de instalación	17
Instalación paso a paso	22
Antes de comenzar	28
Configuración inicial	28
Pautas de lavado	28
Pautas para el cajón para detergente	30
Funcionamiento	33
Panel de funciones	33
Sencillos pasos para comenzar	36
Descripción de los ciclos	37
Mantenimiento	43
Autolimpieza+	43
Smart Care	44
Drenaje de emergencia	45
Limpieza	46
Recuperación de un congelamiento	49
Mantenimiento luego de un periodo prolongado sin utilizar la lavadora	49
Limpieza del exterior	50
Limpieza del interior	50

Solución de problemas	51
Verificaciones	51
Códigos de información	55
Especificaciones	57
Tabla de indicaciones sobre telas	57
Protección del medio ambiente	58
Declaración de conformidad	58
Hoja de especificaciones	59
Tabla de ciclos	60
Garantía (Estados Unidos)	62



Información sobre seguridad

Felicitaciones por la compra de la nueva lavadora Samsung. Este manual contiene información importante acerca de la instalación, el uso y el cuidado del electrodoméstico. Lea detenidamente estas instrucciones a fin de aprovechar al máximo los múltiples beneficios y funciones de la lavadora.

Lo que necesita saber sobre las instrucciones de seguridad

Lea este manual detenidamente para aprender a utilizar con seguridad y eficacia todas las características y funciones de su nuevo electrodoméstico. Conserve el manual en un lugar seguro cerca del electrodoméstico para consultas futuras. Utilice este electrodoméstico solo para el propósito para el que fue destinado como se describe en este manual.

Las advertencias y las instrucciones de seguridad importantes de este manual no cubren todas las posibles condiciones y situaciones que pueden ocurrir. Es su responsabilidad actuar con sentido común, precaución y cuidado cuando instale, realice el mantenimiento y ponga en funcionamiento la lavadora. Puesto que las siguientes instrucciones de funcionamiento sirven para varios modelos, las características de su lavadora pueden diferir ligeramente de las que se describen en este manual y es posible que no todos los signos de advertencia sean aplicables. Si tiene alguna consulta o duda, comuníquese con el centro de servicio más cercano o busque ayuda e información en línea en www.samsung.com.

Símbolos de seguridad importantes

Los íconos y las señales incluidas en este manual del usuario significan lo siguiente:

ADVERTENCIA

Peligros o prácticas inseguras que podrían causar lesiones físicas graves o la muerte y/o daños materiales.

PRECAUCIÓN

Peligros o prácticas inseguras que podrían causar lesiones físicas y/o daños materiales.

NOTA

Indica que existe el riesgo de lesiones físicas o daños materiales.

Estas señales de advertencia están aquí para evitar que usted u otras personas sufran lesiones.

Siga las instrucciones completamente.

Después de leer este manual, guárdelo en un lugar seguro para consultas futuras.

Lea todas las instrucciones antes de usar el electrodoméstico.

Al igual que con cualquier equipo que usa electricidad y piezas movibles, existen riesgos potenciales. Para usar este electrodoméstico en forma segura, familiarícese con su funcionamiento y manéjelo con cuidado cuando lo use.

CONSERVE ESTAS INSTRUCCIONES



Precauciones de seguridad importantes

ADVERTENCIA

Para reducir el riesgo de incendio, descarga eléctrica o lesiones físicas cuando usa este electrodoméstico, siga las instrucciones de seguridad básicas que figuran a continuación:

1. Lea todas las instrucciones antes de usar el electrodoméstico.
2. No lave ni seque prendas que se han limpiado, lavado, remojado o salpicado previamente con gasolina, solventes de limpieza en seco u otras sustancias inflamables o explosivas, ya que emiten vapores que pueden prenderse fuego o explotar.
3. No permita que los niños jueguen sobre el electrodoméstico ni dentro de él. Se requiere de supervisión cuando el electrodoméstico es utilizado cerca de los niños.
4. Antes de descartar el electrodoméstico o de trasladarlo para que se le efectúe el servicio técnico, retire la puerta del compartimiento de la lavadora o la secadora.
5. No introduzca la mano en el electrodoméstico si el tambor está en movimiento.
6. No instale ni almacene este electrodoméstico donde quede expuesto a los factores climáticos.
7. No modifique los controles.
8. No repare, reemplace ni intente realizar el mantenimiento de cualquier pieza de la máquina salvo que esté recomendado específicamente en las instrucciones de mantenimiento del usuario o en las instrucciones de reparación para el usuario publicadas y que, a su juicio, usted tenga la habilidad para llevarlas a cabo.
9. No agregue gasolina, solventes de limpieza en seco u otras sustancias inflamables o explosivas al agua del lavado. Estas sustancias emiten vapores que pueden encenderse o explotar.
10. En ciertas circunstancias, puede producirse gas hidrógeno en un sistema de agua caliente que no se ha usado durante 2 semanas o más. EL GAS HIDRÓGENO ES EXPLOSIVO. Si el sistema de agua caliente no fue utilizado durante dicho período, antes de usar la lavadora o la lavadora y la secadora combinadas, abra las llaves del agua caliente y deje correr el agua por varios minutos. De esta manera, se eliminará el gas hidrógeno acumulado. Dado que el gas es inflamable, no fume ni use una llama abierta en ese momento.

CONSERVE ESTAS INSTRUCCIONES



Información sobre seguridad

Advertencias fundamentales para la instalación

Advertencia sobre la State of California Proposition 65 (solo EE.UU.)

Este producto contiene productos químicos reconocidos en el estado de California como capaces de provocar cáncer y defectos de nacimiento u otras afecciones reproductivas.

La instalación de este electrodoméstico la debe efectuar un técnico calificado o una empresa de servicios.

- En caso contrario, se puede provocar una descarga eléctrica, un incendio, una explosión, problemas con el producto o lesiones.

El electrodoméstico es pesado, tenga cuidado cuando lo levante.

Enchufe el cable de alimentación a un tomacorriente de pared que cumpla las especificaciones eléctricas locales. Utilice el tomacorriente solo con este electrodoméstico y no use un cable prolongador.

- Compartir el tomacorriente de pared con otros electrodomésticos, utilizando un multicontacto o prolongando el cable de alimentación, puede provocar un incendio o una descarga eléctrica.
- Asegúrese de que el voltaje, la frecuencia y la corriente coincidan con las especificaciones del producto. De lo contrario, se puede provocar un incendio o una descarga eléctrica. Enchufe el cable de alimentación firmemente en el tomacorriente de pared.

Retire regularmente todas las sustancias extrañas, como polvo o agua, de los terminales y los puntos de contacto de la alimentación con un paño seco.

- Desenchufe el cable de alimentación y límpielo con un paño seco.
- De lo contrario, se puede provocar un incendio o una descarga eléctrica.

Enchufe el cable de alimentación en un tomacorriente de pared de manera que el cable baje hacia el piso.

- Si enchufa el cable de alimentación en el tomacorriente en la dirección opuesta, los cables eléctricos del interior del cable pueden dañarse y provocar un incendio o una descarga eléctrica.

Mantenga los materiales de empaque fuera del alcance de los niños, ya que son peligrosos para ellos.

- Si un niño introduce la cabeza en una bolsa, se puede asfixiar.

CONSERVE ESTAS INSTRUCCIONES



Cuando el electrodoméstico, el enchufe o el cable de alimentación estén dañados, comuníquese con el centro de servicio más cercano.

Este electrodoméstico debe conectarse a tierra correctamente.

La toma de tierra no se debe conectar a una conducción de gas o de agua ni a la línea telefónica.

- Puede provocar una descarga eléctrica, un incendio, una explosión o problemas con el producto.
- Nunca enchufe el cable de alimentación a un tomacorriente que no esté conectado a tierra correctamente y asegúrese de que guarde conformidad con los códigos locales y nacionales.

No instale este electrodoméstico cerca de un calefactor o materiales inflamables.

No instale este electrodoméstico en un lugar húmedo, grasiento o cubierto de polvo, ni lo exponga a la luz directa del sol o al agua (gotas de lluvia).

No instale este electrodoméstico en un lugar donde se registren bajas temperaturas.

- El hielo puede reventar los tubos.

No instale este electrodoméstico en un lugar donde pueda haber fugas de gas.

- Puede provocar un incendio o una descarga eléctrica.

No utilice un transformador eléctrico.

- Puede provocar un incendio o una descarga eléctrica.

No utilice un cable de alimentación dañado ni un tomacorriente que esté flojo.

- Puede provocar un incendio o una descarga eléctrica.

No jale el cable de alimentación ni lo doble excesivamente.

No tuerza ni ate el cable de alimentación.

No cuelgue el cable de alimentación de un objeto metálico, no coloque objetos pesados sobre él, no inserte el cable de alimentación entre objetos ni lo empuje en un espacio detrás del electrodoméstico.

- Puede provocar un incendio o una descarga eléctrica.

No jale el cable de alimentación para desenchufarlo.

- Desenchufe el cable de alimentación sujetándolo por el enchufe.
- De lo contrario, se puede provocar un incendio o una descarga eléctrica.

El electrodoméstico debe colocarse en una posición en la que el tomacorriente, las llaves de suministro de agua y los tubos de drenaje sean accesibles.

CONSERVE ESTAS INSTRUCCIONES



Información sobre seguridad

Precauciones para la instalación

PRECAUCIÓN

Este electrodoméstico debe estar ubicado de manera tal que se pueda acceder fácilmente al enchufe.

- De lo contrario, se puede provocar un incendio o una descarga debido a las fugas eléctricas.

Instale el electrodoméstico sobre una superficie sólida y nivelada que pueda soportar su peso.

- Si no lo hace pueden producirse vibraciones anormales, movimientos, ruidos o problemas con el producto.

Advertencias fundamentales para el uso

ADVERTENCIA

Si el electrodoméstico se inunda, corte inmediatamente el suministro de agua y la alimentación y comuníquese con el centro de servicio más cercano.

- No toque el enchufe con las manos mojadas.
- Se puede provocar una descarga eléctrica.

Si el electrodoméstico genera ruidos extraños, olor a quemado o humo, desconéctelo inmediatamente y llame al centro de servicio más cercano.

- De lo contrario, se puede provocar un incendio o una descarga eléctrica.

En caso de fugas de gas (como propano, LP, etc.), ventile inmediatamente sin tocar el enchufe. No toque el electrodoméstico ni el cable de alimentación.

- No utilice un ventilador.
- Una chispa puede provocar un incendio o una explosión.

No permita que los niños jueguen sobre la lavadora o dentro de ella. Además, cuando se deshaga del aparato, quite el cierre de la puerta de la lavadora.

- Si un niño queda atrapado dentro puede morir asfixiado.

Asegúrese de quitar el empaque (goma espuma, poliestireno) del fondo de la lavadora antes de utilizarla.

No lave prendas contaminadas con gasolina, queroseno, benceno, disolventes de pinturas, alcohol u otras sustancias inflamables o explosivas.

- Puede provocar una descarga eléctrica, un incendio o una explosión.

CONSERVE ESTAS INSTRUCCIONES



No abra la puerta de la lavadora por la fuerza mientras esté en funcionamiento (lavado a alta temperatura/secado/centrifugado).

- El agua que salga de la lavadora puede causar quemaduras o convertir el suelo en resbaladizo. Puede provocar lesiones físicas.
- Abrir la puerta por la fuerza puede dañar el producto o causar lesiones personales.

No introduzca las manos bajo la lavadora cuando esté en funcionamiento.

- Puede provocar lesiones físicas.

No toque el enchufe con las manos mojadas.

- Puede provocar una descarga eléctrica.

No apague el electrodoméstico desenchufándolo mientras esté en funcionamiento.

- Si vuelve a enchufar el electrodoméstico en el tomacorriente puede originar una chispa y causar una descarga eléctrica o un incendio.

No deje que los niños ni las personas discapacitadas utilicen la lavadora sin la supervisión adecuada.

No permita que los niños se suban al electrodoméstico.

- Puede provocar una descarga eléctrica, quemaduras o lesiones personales.

No introduzca la mano ni objetos de metal bajo la lavadora mientras esté en funcionamiento.

- Puede provocar lesiones físicas.

No desenchufe el electrodoméstico tirando del cable de alimentación. Sujete siempre el enchufe firmemente y tire de él en línea recta.

- Un cable de alimentación dañado puede provocar un cortocircuito, un incendio o una descarga eléctrica.

No trate de reparar, desensamblar ni modificar el electrodoméstico usted mismo.

- No utilice un fusible (de cobre, cable de acero, etc.) que no sea el estándar.
- Cuando deba reparar o volver a instalar el electrodoméstico, comuníquese con el centro de servicio más cercano.
- De lo contrario, se puede provocar una descarga eléctrica, un incendio, problemas con el producto o lesiones.

Si se afloja la manguera de suministro de agua de la llave del agua y se inunda el electrodoméstico, desenchufe el cable de alimentación.

- De lo contrario, se puede provocar un incendio o una descarga eléctrica.

Desenchufe el electrodoméstico si no lo va a utilizar durante un período prolongado o durante una tormenta eléctrica.

- De lo contrario, se puede provocar un incendio o una descarga eléctrica.

CONSERVE ESTAS INSTRUCCIONES



Información sobre seguridad

Si entra alguna sustancia extraña en la máquina, desenchufe el cable de alimentación y comuníquese con el centro de atención al cliente de Samsung más cercano.

- Puede provocar un incendio o una descarga eléctrica.

No permita que los niños (ni las mascotas) jueguen encima o dentro de la lavadora. La puerta de la lavadora no se abre con facilidad desde el interior, y los niños podrían lastimarse gravemente si quedaran atrapados adentro.

Precauciones de uso

PRECAUCIÓN

Si la lavadora está contaminada por sustancias extrañas, tales como detergente, tierra, restos de alimentos, etc., desenchufe el cable de alimentación y limpie la lavadora con un paño suave humedecido.

- Si no lo hace se puede producir decoloración, deformación, daños u óxido.

El vidrio frontal se puede romper con un impacto fuerte. Tenga cuidado cuando utilice la lavadora.

- La rotura del vidrio puede causar lesiones.

Tras una falla del suministro de agua o cuando se vuelve a conectar la manguera de suministro, abra lentamente la llave del agua.

Abra lentamente la llave del agua tras un periodo prolongado de falta de uso.

- La presión del aire de la manguera de suministro o de la conducción de agua puede dañar una pieza o provocar fugas de agua.

Si durante el funcionamiento hay una falla en el drenaje, revise el drenaje.

- Si se utiliza la lavadora inundada por una falla en el drenaje, se puede provocar una descarga eléctrica o un incendio.

Introduzca completamente la ropa en la lavadora para que no pueda quedar atrapada por la puerta.

- Si la ropa queda atrapada por la puerta, puede dañarse la ropa o la lavadora, o puede provocar fugas de agua.

Cierre el suministro de agua cuando la lavadora no esté en uso.

- Asegúrese de que los tornillos del conector de la manguera de suministro del agua estén correctamente afirmados.

CONSERVE ESTAS INSTRUCCIONES



Asegúrese de que la arandela de goma y el vidrio de la puerta frontal no estén contaminados por sustancias extrañas (como restos, hilos, cabellos, etc.)

- Si una sustancia extraña queda atrapada en la puerta o si la puerta no está bien cerrada, se puede producir una fuga de agua.

Antes de utilizar el producto, abra la llave del agua y verifique que el conector de la manguera de suministro esté bien ajustado y que no haya fugas de agua.

- Si los tornillos o el conector de la manguera de suministro del agua están flojos, puede haber fugas de agua.

El producto adquirido está diseñado exclusivamente para uso doméstico.

El uso del producto con fines comerciales se considera un uso incorrecto del producto. En tal caso el producto no quedará cubierto por la garantía estándar que ofrece Samsung y no se podrá atribuir a Samsung ninguna responsabilidad por el malfuncionamiento o los daños resultantes de este uso incorrecto.

No se pare encima del electrodoméstico ni le coloque encima objetos (como ropa, velas o cigarrillos encendidos, platos, productos químicos, objetos metálicos, etc.).

- Puede provocar una descarga eléctrica, un incendio, problemas con el producto o lesiones.

No rocíe materiales volátiles, como insecticidas, en la superficie del electrodoméstico.

- Además de ser perjudiciales para las personas, también pueden provocar una descarga eléctrica, un incendio o problemas con el producto.

No coloque objetos que generen campos electromagnéticos cerca de la lavadora.

- Puede causar lesiones por un mal funcionamiento.

El agua que se drena durante el lavado a alta temperatura o durante el ciclo de secado está caliente. No toque el agua.

- Puede causar lesiones personales o quemaduras.

No lave, centrifugue ni seque asientos, alfombrillas o prendas impermeables (*) a menos que su electrodoméstico tenga un ciclo especial para lavar estos artículos.

(*): Ropa de cama de lana, fundas de lluvia, ropa para pescar, pantalones de esquí, bolsas de dormir, cubiertas de pañales, chándales, cubiertas de bicicletas, motos y automóviles, etc.

- No lave alfombrillas gruesas o espesas aunque lleven la marca de lavado en la etiqueta. Se pueden producir lesiones o dañar la lavadora, las paredes, el suelo o la ropa debido a las vibraciones anormales.
- No lave alfombras ni felpudos con forro de goma. El forro de goma se puede desprender y adherirse al tambor, lo que puede resultar en un funcionamiento anómalo, por ejemplo una falla en el drenaje.

CONSERVE ESTAS INSTRUCCIONES



Información sobre seguridad

No haga funcionar la lavadora sin el dosificador de detergente.

- Se puede provocar una descarga eléctrica o lesiones debido a fugas de agua.

No toque el interior del tambor durante o inmediatamente después del secado, ya que está caliente.

- Puede causar quemaduras.

No introduzca las manos en el cajón del detergente.

- Se puede dañar la mano ya que ésta puede quedar atrapada por el dispositivo de introducción del detergente.
- La guía de detergente líquido (solo modelos aplicables) no es válida para detergente en polvo. Elimine la guía cuando utilice detergente en polvo.

No introduzca ningún objeto (como zapatos, restos de comida, animales) que no sea ropa en la lavadora.

- Se puede dañar la lavadora, causar lesiones o la muerte en caso de mascotas por vibraciones anormales.

No presione los botones con objetos afilados, como alfileres, cuchillos, las uñas, etc.

- Puede provocar una descarga eléctrica o lesiones personales.

No lave ropa contaminada por aceites, cremas o lociones que se utilizan normalmente en los establecimientos para el cuidado de la piel o en las clínicas de masajes.

- Se puede deformar la arandela de goma y provocar fugas de agua.

No deje objetos de metal (tales como clips, horquillas, etc.) ni blanqueador en el tambor durante períodos prolongados.

- Se puede oxidar el tambor.
- Si comienza a aparecer óxido en la superficie del tambor, aplique un agente limpiador (neutro) sobre la superficie y utilice una esponja para limpiarla. Nunca utilice un cepillo de metal.

No utilice detergentes de limpieza en seco directamente ni lave, enjuague ni centrifugue ropa contaminada por detergentes de limpieza en seco.

- Se puede producir una combustión espontánea o un incendio por el calor de la oxidación del aceite.

No utilice agua de los dispositivos de calentamiento o enfriamiento del agua.

- Podría causar problemas en la lavadora.

No utilice jabón natural para lavado a mano en la lavadora.

- Si se endurece y se acumula en el interior de la lavadora, puede causar problemas en el producto, como decoloración, óxido y malos olores.

CONSERVE ESTAS INSTRUCCIONES



Coloque medias y brassieres en una red y lávelas junto con otra ropa.

No lave prendas grandes como ropa de cama dentro de una red.

- De no hacerlo se pueden producir lesiones personales por las vibraciones anormales.

No utilice detergente endurecido.

- Si se acumula en el interior de la lavadora, puede provocar fugas de agua.

Asegúrese de que los bolsillos de las prendas que vaya a lavar estén vacíos.

- Los objetos duros o afilados, tales como monedas, clips, clavos, tornillos o piedras pueden causar daños considerables en la lavadora.

No lave ropa que contenga hebillas grandes, botones u otros objetos de metal pesados.

Clasifique las prendas según la solidez del color y seleccione el ciclo, la temperatura del agua y las funciones adicionales recomendados.

- Esto puede decolorar o dañar las telas.

Al cerrar la puerta tenga cuidado de no atrapar los dedos de los niños.

- Si no lo hace, se pueden provocar lesiones personales.

Advertencias fundamentales para la limpieza

ADVERTENCIA

No limpie el electrodoméstico rociando directamente agua dentro de él.

No utilice un agente limpiador muy ácido.

No utilice benceno, disolventes ni alcohol para limpiar el electrodoméstico.

- Puede provocar decoloración, deformación, daños, incendio o descarga eléctrica.

Antes de la limpieza o las tareas de mantenimiento, desenchufe el electrodoméstico del tomacorriente de la pared.

- De lo contrario, se puede provocar un incendio o una descarga eléctrica.

CONSERVE ESTAS INSTRUCCIONES



Instalación

Siga detenidamente estas instrucciones para asegurar una adecuada instalación de la lavadora y evitar accidentes al lavar la ropa.

ADVERTENCIA

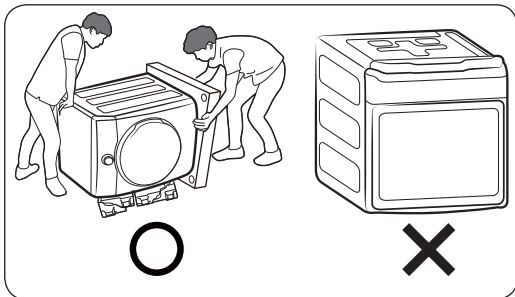
El panel de control, el tambor de centrifugado, el motor, la válvula de entrada y la bomba no están conectados a tierra intencionalmente y pueden presentar riesgo de descarga eléctrica durante el servicio técnico.

Desempaque de la lavadora

Desempaque la lavadora e inspecciónela para controlar que no se hayan producido daños durante el transporte. Asegúrese de haber recibido todos los elementos que se muestran a continuación. Si la lavadora sufrió daños durante el transporte, o si falta algún elemento, comuníquese con el 1-800-SAMSUNG (1-800-726-7864). Para evitar lesiones físicas o distensiones musculares, use guantes protectores cada vez que levante o transporte la unidad.

ADVERTENCIA

Los materiales de empaque pueden ser peligrosos para los niños. Mantenga todo el material de empaque (bolsas de plástico, poliestireno, etc.) fuera del alcance de los niños.



PRECAUCIÓN

Al desempacar la lavadora, se necesita la colaboración de 2 personas. No la incline hacia el lado delantero al retirar la protección de la parte inferior de los materiales de empaque.

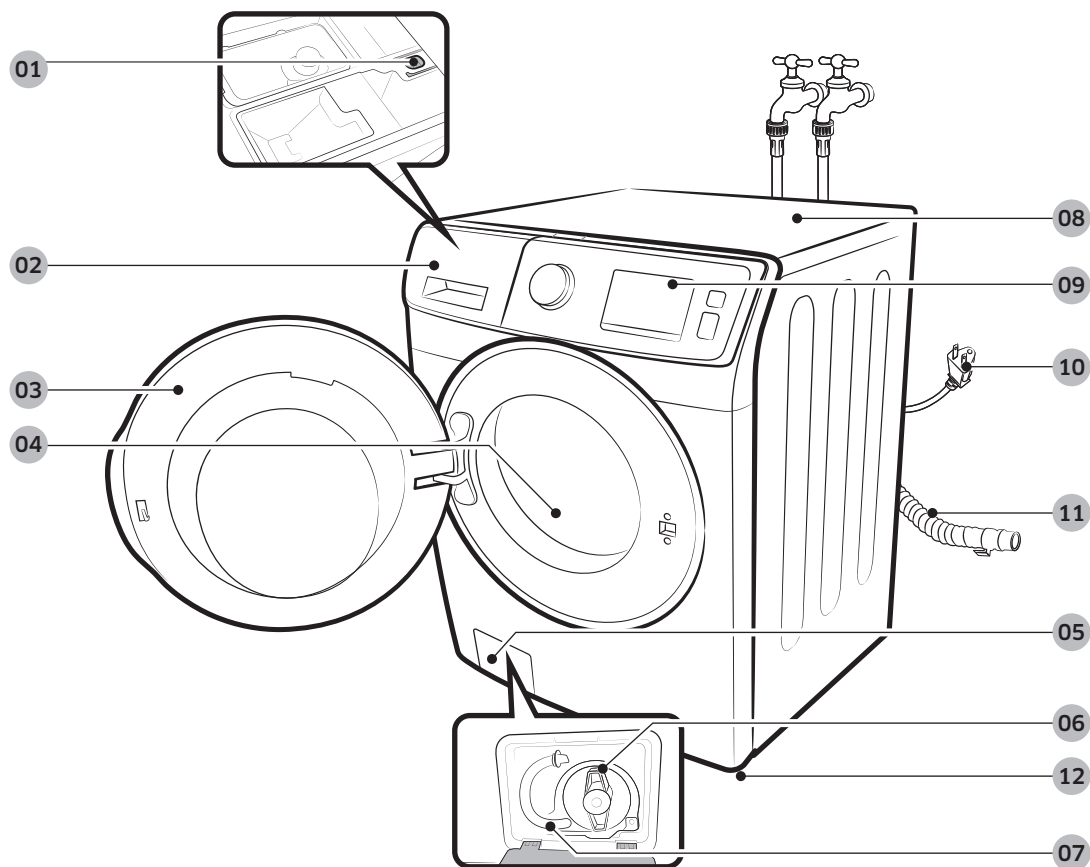
Cuando recline la lavadora para retirar la base de cartón, proteja el lateral y deposítela con cuidado.

Nunca apoye la lavadora sobre la parte frontal ni la posterior.



Componentes

Asegúrese de que todos los componentes estén incluidos en el paquete. Si tiene algún problema con la lavadora o las piezas, comuníquese con un centro de atención al cliente de Samsung o con el vendedor.



01 Palanca de seguridad

02 Cajón para detergente

03 Puerta

04 Tambor

05 Cubierta del filtro

06 Filtro de la bomba

07 Tubo de drenaje de emergencia

08 Encimera

09 Panel de control

10 Tomacorriente

11 Manguera de drenaje

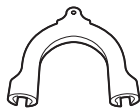
12 Patas niveladoras

Instalación

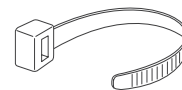
Partes suministradas



Tapas de los tornillos

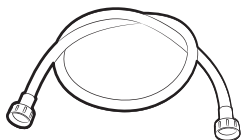


Guía de la manguera

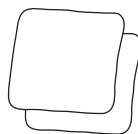


Correa de sujeción

Partes no suministradas

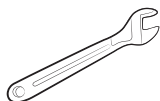


Mangueras de agua
(se venden por separado)

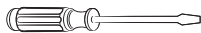


Almohadillas antideslizantes
(se venden por separado)

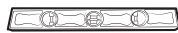
Herramientas necesarias para la instalación



Llave inglesa



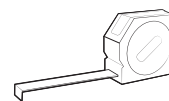
Destornillador
Philips



Nivel



Pinzas ajustables



Cinta de medir

NOTA

- Tapas de los tornillos: La cantidad de tapas para tornillos (3 a 6) provista depende del modelo.
- El aspecto de la máquina y los accesorios provistos puede diferir dependiendo del modelo.
- Para comprar accesorios o piezas perdidas, comuníquese con un centro de servicios Samsung o con el vendedor.
- El Smart Home Adapter solo se puede comprar en el sitio web de Samsung (www.samsung.com).

PRECAUCIÓN

- No vuelva a utilizar las mangueras viejas, ya que pueden tener fugas o se pueden reventar y provocar inundaciones o daños materiales.
- Asegúrese de que las arandelas de goma estén insertadas en cada unión de las dos mangueras de agua.

Requisitos de instalación

Suministro eléctrico y conexión a tierra

- Fusible o interruptor de 120 V CA / 60 Hz requerido.
- Utilice un circuito derivado individual. Conecte solo la lavadora al circuito.

Para asegurar una conexión a tierra adecuada, la lavadora está equipada con un cable de alimentación que cuenta con un enchufe de tres pines con conexión a tierra para utilizar en un tomacorriente con conexión a tierra correctamente instalado.

Si tiene dudas sobre la correcta conexión a tierra, consulte con un electricista o un técnico de servicio acreditados.

No modifique el enchufe provisto. Si no entra en el tomacorriente, solicite a un electricista calificado que instale el tomacorriente apropiado.

ADVERTENCIA

- NO utilice un cable prolongador.
- Utilice únicamente el cable de alimentación que viene con la lavadora.
- NO conecte el cable a tierra a las tuberías de plástico, las tuberías de gas o a las cañerías de agua caliente.
- La conexión no adecuada de los conductores de descarga a tierra puede generar una descarga eléctrica.
- Para evitar el riesgo innecesario de incendio, descarga eléctrica o lesiones físicas, todo el cableado y la conexión a tierra deben realizarse de conformidad con los códigos locales o, en ausencia de ellos, de conformidad con el Código Eléctrico Nacional, ANSI/NFPA Nro. 70, su última revisión (para EE.UU.) o el Código Eléctrico Canadiense CSA C22.1, sus últimas revisiones y los códigos y ordenanzas locales.

Es su responsabilidad proveer el servicio eléctrico adecuado para su lavadora.

Suministro de agua

La presión de agua adecuada para esta lavadora es de 20-116 psi (137-800 kPa).

Una presión de agua inferior a 20 psi (137 kPa) puede impedir que la válvula de agua se cierre completamente. También puede hacer que el tambor demore demasiado en llenarse y se apague la lavadora.

Las llaves del agua deben estar a menos de 4 pies (122 cm) de la parte posterior de la lavadora para que lleguen las mangueras de entrada provistas.

Para reducir el riesgo de fugas:

- Asegúrese de que las llaves del agua se encuentren en una posición accesible.
- Cierre las llaves cuando la lavadora no esté en uso.
- Revise periódicamente que no haya pérdidas de agua en los accesorios de la manguera de entrada de agua.

PRECAUCIÓN

Antes de utilizar la lavadora por primera vez, controle que todas las conexiones de la válvula y de la llave del agua no presenten pérdidas.



Instalación

Drenaje

Samsung recomienda un tubo vertical de 18 in (46 cm) de altura. La manguera de drenaje debe conectarse a la toma de agua a través del gancho, y la toma de agua debe cubrir totalmente la manguera de drenaje.

Piso

Para un mejor desempeño, la lavadora debe estar instalada sobre un piso sólido. Posiblemente los pisos de madera necesiten reforzarse para minimizar la vibración y/o el desequilibrio de la carga.

Las superficies alfombradas o con revestimiento sintético no ofrecen una buena resistencia a las vibraciones y pueden causar que la lavadora se desplace levemente durante el ciclo de centrifugado.

PRECAUCIÓN

NO instale la lavadora sobre una plataforma o sobre una estructura con soportes poco resistentes.

Temperatura del agua

No instale la lavadora en áreas donde el agua se congele, dado que la lavadora siempre retiene algo de agua en las válvulas de agua, la bomba y las mangueras. El agua congelada dentro de los conductos puede dañar las correas, la bomba y otros componentes de la lavadora.

Instalación en un gabinete o en un hueco

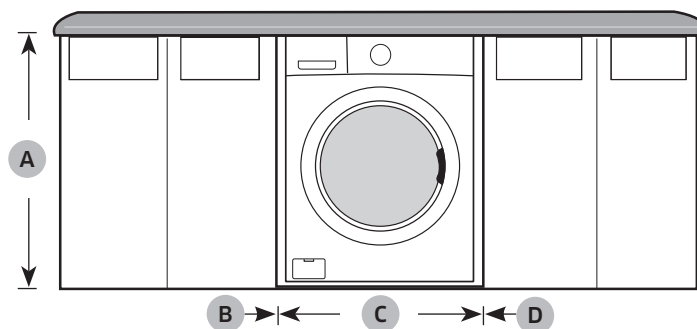
Espacio libre mínimo para un funcionamiento estable:

Laterales	1 in (25 mm)
Arriba	17 in (432 mm)
Posterior	5.9 in (150 mm)
Frente	2 in (51 mm)

Si se instalan una lavadora y una secadora en la misma ubicación, el frente del gabinete o hueco debe tener una abertura de al menos 72 in² (465 cm²) sin obstrucciones. La lavadora sola no requiere una abertura de aire específica.

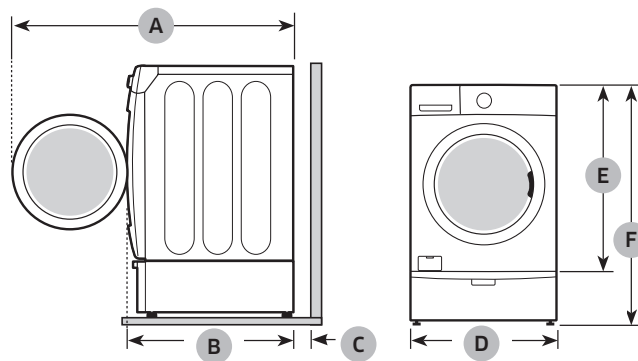


Instalación debajo de mostrador



A	39 in (991 mm)	C	27 in (686 mm)
B	1 in (25 mm)	D	1 in (25 mm)

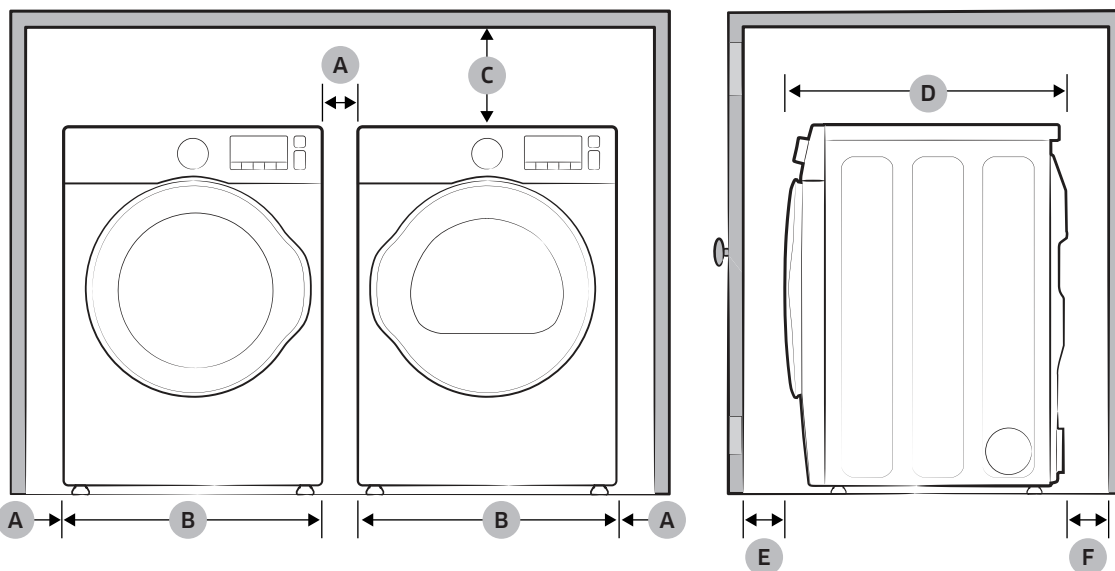
Instalación sobre pedestal



A	54.6 in (1387 mm)	D	27 in (686 mm)
B	34 in (864 mm)	E	38.7 in (984 mm)
C	5.9 in (150 mm)	F	53.4 in (1356 mm)

Instalación

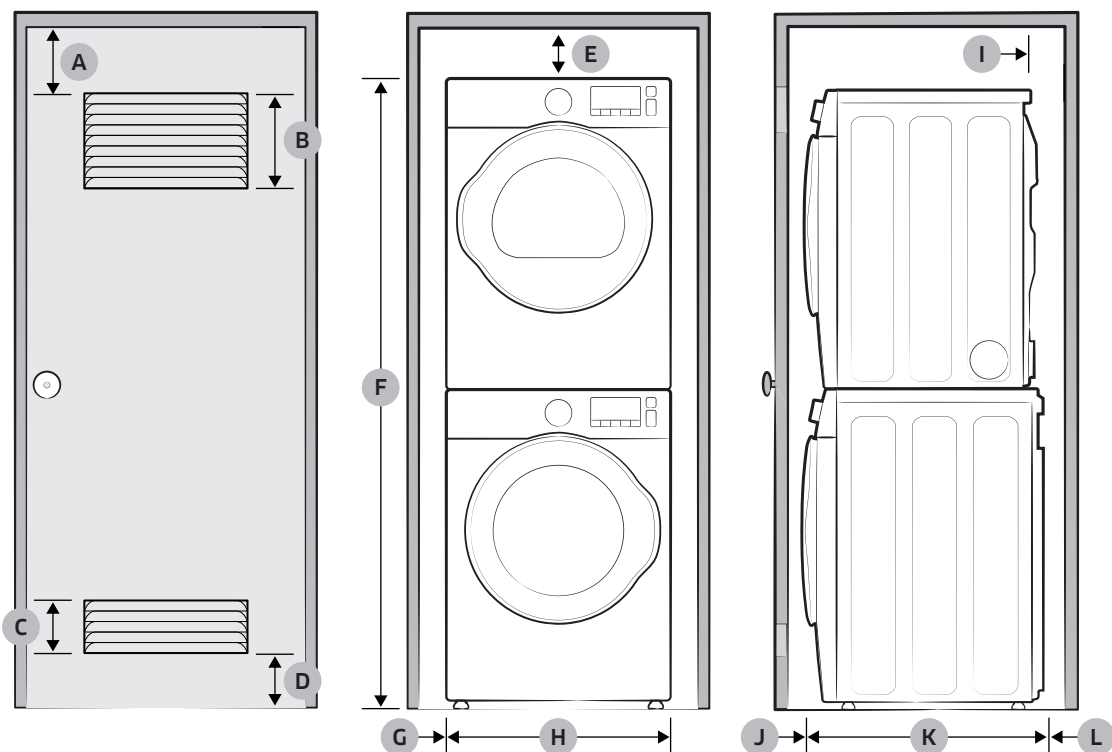
Instalación lado a lado



A*	1 in (25 mm)	D	34 in (864 mm)
B	27 in (686 mm)	E	2 in (51 mm)
C	17 in (432 mm)	F	5.9 in (150 mm)

*Espacio libre no aplicable a las lavadoras independientes.

Instalación apilada (Modelo: SKK-7A)



A	3 in (76 mm)	G	1 in (25 mm)
B	48 in ² (31000 mm ²)	H	27 in (686 mm)
C	24 in ² (15500 mm ²)	I	5 in (127 mm)
D	3 in (76 mm)	J	3 in (76 mm)
E	6 in (152 mm)	K	34 in (864 mm)
F	78.5 in (1994 mm)	L	8 in (203 mm)

⚠ ADVERTENCIA

- Las lavadoras y las secadoras de Samsung pueden apilarse para maximizar el espacio aprovechable.
- Deben retirarse las patas de la secadora para apilar la lavadora y la secadora. Puede adquirir un kit de apilamiento opcional en su comercio minorista de productos Samsung.

Instalación

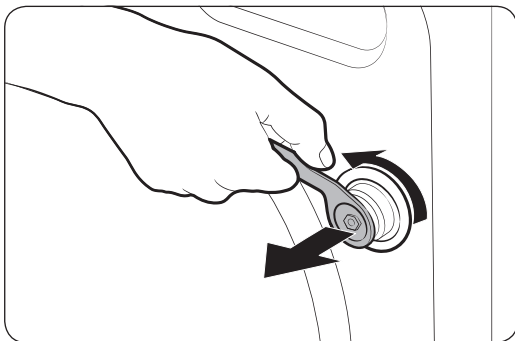
Instalación paso a paso

PASO 1 Seleccionar una ubicación

Requisitos de la ubicación:

- Una superficie sólida y nivelada sin alfombras ni revestimientos para pisos que puedan obstruir los orificios de ventilación
- No expuesta a la luz directa del sol
- Espacio suficiente para la ventilación y el cableado
- La temperatura ambiente debe ser siempre superior al punto de congelación (32 °F / 0 °C)
- Alejada de fuentes de calor

PASO 2 Retirar los tornillos de transporte

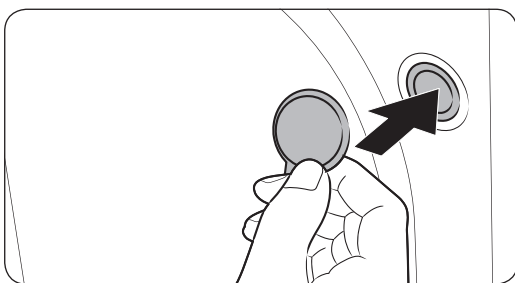


Desempaque el producto y retire todos los tornillos de transporte.

1. Afloje todos los tornillos de transporte de la parte posterior de la máquina con la llave.

NOTA

Es necesaria una llave inglesa ajustable o una llave de boca abierta de 10 mm para retirar los tornillos.

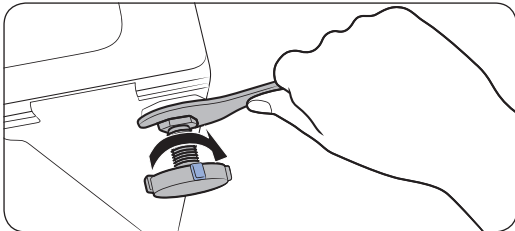
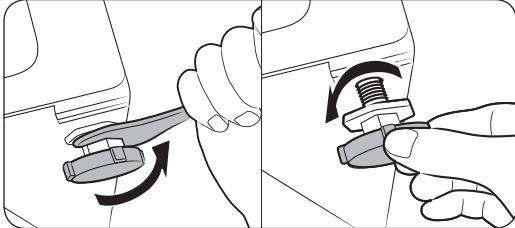


2. Cubra los orificios con las tapas de plástico para tornillos provistas. Conserve los tornillos de transporte en caso de que los necesite en el futuro.

ADVERTENCIA

Los materiales de empaque pueden ser peligrosos para los niños. Deseche todos los materiales de empaque (bolsas de plástico, poliestireno, etc.) lejos del alcance de los niños.

PASO 3 Ajustar las patas niveladoras

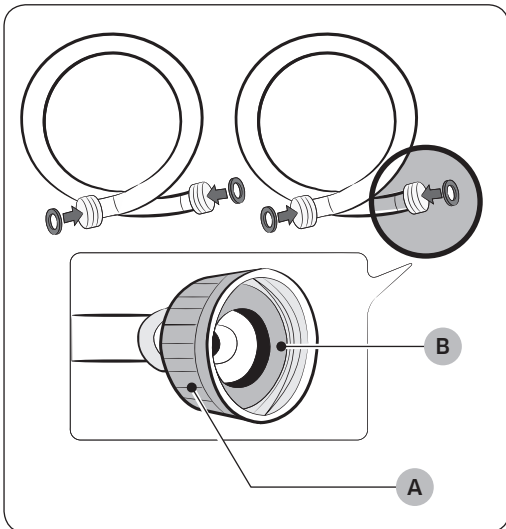


1. Deslice con cuidado la lavadora hasta dejarla en su lugar.
Una fuerza excesiva puede dañar las patas niveladoras.
2. Nivele la lavadora ajustando manualmente las patas niveladoras.
3. Luego de nivelar la lavadora, apriete las tuercas con la llave.

NOTA

Es necesaria una llave ajustable o una llave de boca abierta de 17 mm para aflojar o ajustar los tornillos.

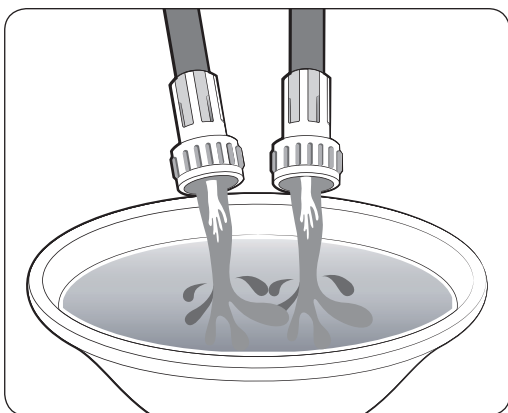
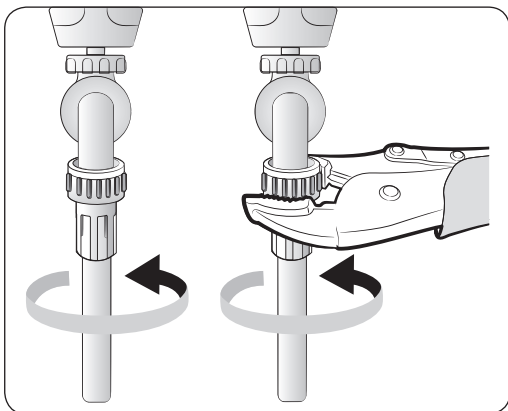
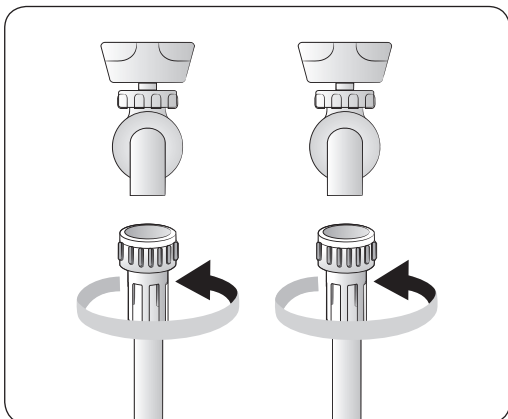
PASO 4 Conectar la manguera de agua



PRECAUCIÓN

- Asegúrese de usar una manguera de agua nueva, y de que las **juntas de goma (B)** estén dentro de los **acoplamientos (A)** en cada extremo de la manguera. Una manguera de agua sin la junta puede causar una fuga de agua.
- Si hay una fuga de agua, deje de utilizar la lavadora y comuníquese con un centro de servicio local de Samsung. Una fuga de agua puede provocar una descarga eléctrica.
- No estire a la fuerza la manguera de agua. Si la manguera resulta demasiado corta, reemplácela por otra manguera de alta presión más larga.
- Para evitar fugas, asegúrese de que las mangueras de agua no estén dobladas ni enroscadas. Una fuga de agua puede provocar una descarga eléctrica.

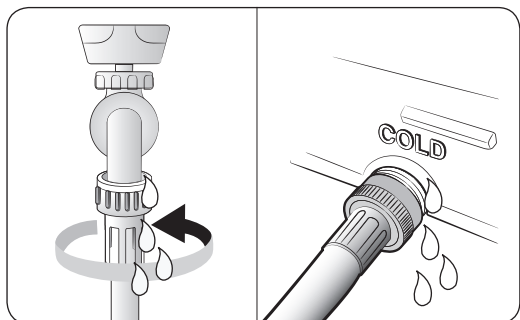
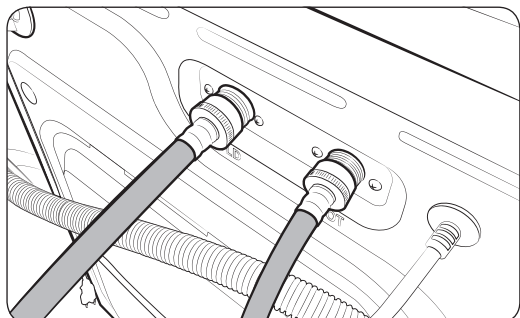
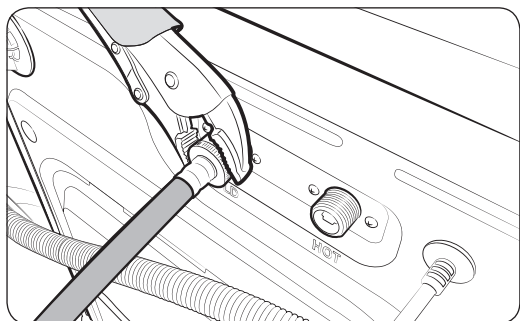
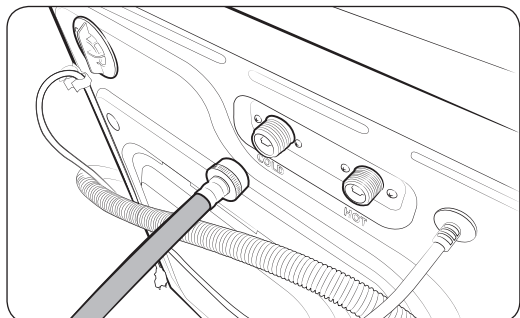
Instalación



Para conectar las mangueras de suministro de agua a las llaves del agua:

1. Conecte un extremo de cada manguera a la llave del agua **Caliente** o **Fría**.
2. Gire los conectores a mano hasta que queden ceñidos y, luego, ajústelos dos tercios adicionales con unas pinzas. No ajuste los conectores por demás. Podría dañarlos.
3. Luego, jale hacia arriba y hacia abajo las mangueras de agua para verificar que estén conectadas correctamente.

4. Coloque los otros extremos de las mangueras en una cubeta y abra las llaves del agua durante 10 o 15 segundos para eliminar las impurezas. Cuando haya terminado, cierre las llaves del agua.



5. Conecte los otros extremos de las mangueras de agua a las correspondientes entradas ubicadas en la parte posterior de la lavadora como se especifica. Asegúrese de que la manguera de agua caliente esté conectada a la entrada de agua caliente, y la manguera de agua fría a la entrada de agua fría.
6. Repita el paso 2 anterior con las otras conexiones. Asegúrese de que ambas mangueras de agua estén bien conectadas. Consulte el código de información "4C" para la solución de problemas.
7. Abra las dos llaves y revise si hay una fuga.

NOTA

Si no desea usar la manguera de agua caliente, inserte el tapón en la entrada de agua caliente. En este caso, debe seleccionar Tap Cold (Agua fría de la llave) para la temperatura del agua. Los demás indicadores se apagan.

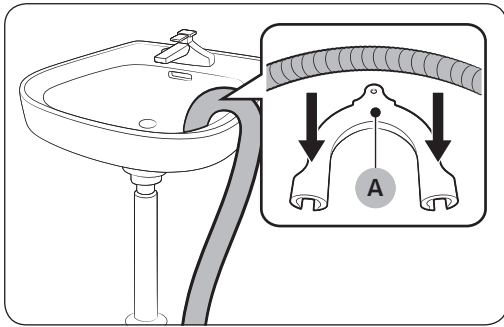
PRECAUCIÓN

Para evitar que las mangueras de agua se enrosquen o doblen, asegúrese de dejar una distancia mínima de 6 pulgadas (150 mm) entre la lavadora y la pared trasera.

Instalación

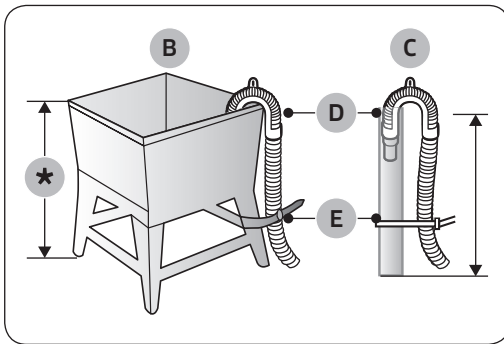
PASO 5 Colocar la manguera de drenaje

La manguera de drenaje puede colocarse de tres formas:



Sobre el borde de un lavamanos

La manguera de drenaje debe colocarse a una altura entre 24 in (60 cm) y 35 in (90 cm) del piso. Para mantener doblado el extremo de salida de la manguera, utilice la guía de la manguera (A) de plástico suministrada. Fije la guía a la pared con un gancho para asegurar la estabilidad durante el drenaje.

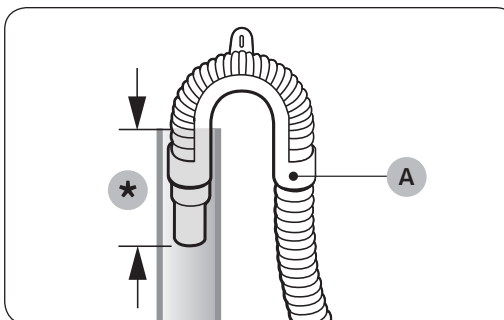


En una toma de agua o un tambor de lavado

El tambor de lavado (B) o la toma de agua (C) no deben ser más cortos que 18 in (46 cm) ni más altos o largos que 96 in (245 cm). Asegúrese de que la manguera de drenaje y la toma de agua no sean herméticas.

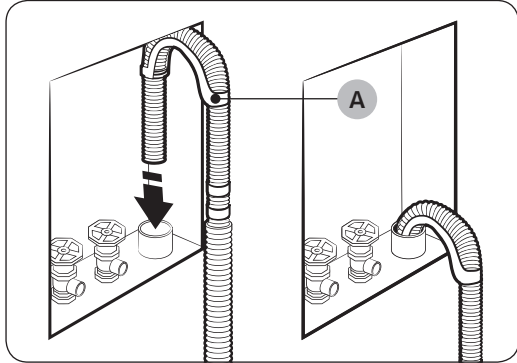
NOTA

D: Dispositivo para sujetar la manguera /
E: Correa de sujeción



PRECAUCIÓN

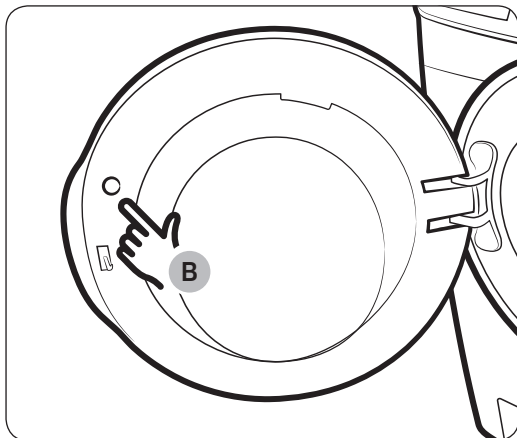
- Conecte la guía de la manguera (A) dentro de 6 in (15 cm)* del extremo de la manguera de drenaje. Si la manguera de drenaje se extiende más allá del extremo de la guía de la manguera, puede propagarse moho o microorganismos al interior de la lavadora.
- La manguera de drenaje puede instalarse hasta una altura de 96 in (245 cm) pero su capacidad de drenaje puede verse reducida a la altura máxima. Si queda agua en el sistema de drenaje puede generar malos olores.
- Si la manguera de drenaje se instala por debajo de una altura de 18 in (46 cm), el agua puede drenarse durante el proceso por un efecto sifón. Si esto sucede, en el display se muestra el código de información "4C".



Sistema de drenaje en una toma de agua de pared

La manguera de drenaje debe colocarse en el sistema de drenaje de una toma de agua de pared. Para mantener doblado el extremo de salida de la manguera, utilice la **guía de la manguera (A)** suministrada. Fije la guía a la pared con un gancho para asegurar la estabilidad durante el drenaje.

PASO 6 Retirar la protección de la puerta



Retire el **pequeño círculo protector (B)** arriba de la traba de la puerta antes de usar la lavadora.

PASO 7 Encendido

Enchufe el cable de alimentación a un tomacorriente de 120 V CA / 60 Hz aprobado y protegido por un disyuntor o fusible. Luego, presione **POWER (ENCENDER/APAGAR)** para poner en funcionamiento la lavadora.



Antes de comenzar

Configuración inicial

Ejecutar la calibración (recomendado)

La calibración asegura que la lavadora detecte el peso con precisión. Asegúrese de que el tambor esté vacío antes de ejecutar la calibración.

1. Presione **POWER (ENCENDER/APAGAR)** para poner en funcionamiento la lavadora.
2. Mantenga presionados simultáneamente **Temp. (Temperatura)** y **Delay End (Término retardado)** durante 3 segundos.

3. Presione **START/PAUSE (INICIO/PAUSA)** para iniciar la calibración.
 - La puerta permanece bloqueada durante el funcionamiento.
 - El tambor sigue girando hacia la derecha y hacia la izquierda durante varios minutos.
4. Cuando finaliza, la lavadora se apaga automáticamente.

Pautas de lavado

PASO 1 Clasificar

Clasifique las prendas de acuerdo con los siguientes criterios:

- Etiqueta de indicaciones: Clasifique la ropa según su composición: algodón, mezclas, sintética, seda, lana y rayón.
- Color: Separe la ropa blanca de la de color.
- Tamaño: Mezclar prendas de distintos tamaños en el tambor mejora el desempeño del lavado.
- Sensibilidad: Lave las prendas delicadas por separado para las prendas nuevas de pura lana, de seda y cortinas. Lea las etiquetas de los artículos.

NOTA

Antes de iniciar el lavado, lea las etiquetas de cuidado de la ropa y clasifique los artículos en consecuencia.

PASO 2 Vaciar los bolsillos

Vacíe los bolsillos de todas las prendas.

- Los objetos metálicos como monedas, clips y hebillas pueden dañar las otras prendas y el tambor.

Dé vuelta las prendas con botones o bordados

- Si los cierres de los pantalones o las chaquetas están abiertos durante el lavado, el tambor puede dañarse. Los cierres deben cerrarse y ajustarse con un cordón.
- Las prendas con cordones largos pueden enredarse con otras prendas. Asegúrese de sujetar los cordones antes de comenzar el lavado.

PASO 3 Utilizar una red para ropa

- Las brassieres (lavables con agua) se deben colocar dentro de una red para ropa. Las partes metálicas de los brassieres pueden atravesar la tela y dañar otras prendas.
- Las prendas pequeñas y livianas como las medias, los guantes, las medias de nylon y los pañuelos pueden trabarse en la puerta. Colóquelas dentro de una red para ropa.
- No lave la red sin ropa dentro de ella. Se podrían producir vibraciones anormales que podrían desplazar la lavadora y causar lesiones personales.



PASO 4 Prelavar (si es necesario)

Seleccione la opción Prelavado del ciclo seleccionado si la ropa está muy sucia.

No use la opción de prelavado si va a agregar el detergente manualmente al tambor.

PASO 5 Calcular la capacidad de carga

No sobrecargue la lavadora. Si sobrecarga la lavadora, la ropa puede no lavarse correctamente.

NOTA

Cuando se lave ropa de cama o cobertores, el tiempo de lavado se puede alargar o la eficacia del centrifugado puede reducirse.

Para ropa de cama o cobertores, el nivel máximo de centrifugado recomendado es "Velocidad Baja o Media" y la capacidad de carga es 3.0 kg o menos.

PRECAUCIÓN

Si la carga está desequilibrada y el código de información "UB" se muestra en el display, redistribuya la carga. Una carga desequilibrada puede disminuir el desempeño del centrifugado.

PASO 6 Agregar el tipo de detergente adecuado

El tipo de detergente adecuado depende del tipo de tejido (algodón, sintético, prendas delicadas, lana), color, temperatura de lavado y grado de suciedad. Use siempre detergente de alta eficacia (HE) y "baja espuma", diseñado para las lavadoras automáticas.

NOTA

- Siga las recomendaciones del fabricante del detergente en función del peso de la ropa, el grado de suciedad y la dureza del agua en su zona. Si desconoce la dureza del agua de su zona, comuníquese con las autoridades locales.

- No utilice un detergente que tenga tendencia a endurecerse o solidificarse. Este detergente puede permanecer durante el ciclo de enjuague y bloquear la salida de drenaje.

PRECAUCIÓN

Cuando lave prendas de lana con el programa de lana, utilice exclusivamente un detergente líquido neutro. Si utiliza detergente en polvo en el programa de lana, puede permanecer en la ropa y decolorarla.

Utilice solo detergentes de alta eficacia (HE).



La lavadora fue diseñada para usar detergentes de alta eficacia (HE, por su sigla en inglés).

- Para obtener un lavado de óptima calidad, use un detergente de alta eficacia, por ejemplo: Tide HE, Wisk HE, Cheer HE o Gain HE*. Los detergentes de alta eficacia contienen supresores que reducen o eliminan la espuma. Cuando se produce menos espuma, la carga se mueve con mayor eficacia y el lavado se maximiza. (* Los nombres de las marcas son marcas comerciales de sus respectivos fabricantes).

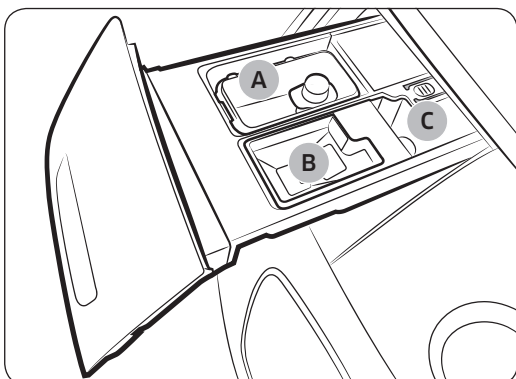
ADVERTENCIA

No se recomienda un detergente convencional. Utilice solo detergentes de alta eficacia (HE).

Antes de comenzar

Pautas para el cajón para detergente

La lavadora tiene un dispensador con cuatro compartimientos: el delantero izquierdo para el lavado principal, el trasero izquierdo para el prelavado, el delantero derecho para el suavizante de telas y el trasero derecho para el blanqueador líquido.

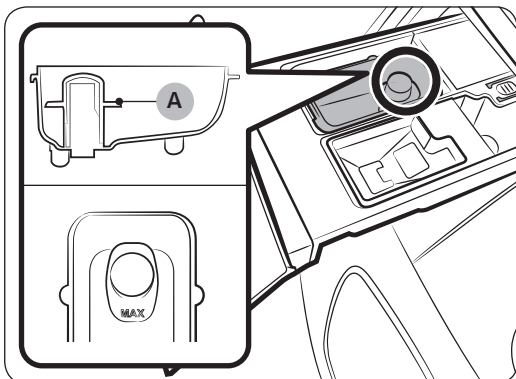


1. **Compartimiento para el lavado principal (A):**
Agregue detergente para lavado principal, acondicionador para agua, detergente para remojo, blanqueador sin cloro con protección para ropa de color y/o productos quitamanchas.
2. **Compartimiento para el suavizante (B):**
Agregue suavizante de telas. No sobrepase la línea máxima.
3. **Compartimiento para el blanqueador (C):**
Agregue blanqueador líquido. No sobrepase la línea máxima.

⚠ PRECAUCIÓN

- No abra el cajón para detergente mientras la lavadora se encuentra en funcionamiento.
- No use los siguientes tipos de detergente:
 - En pastillas o cápsulas
 - En bola o en red
- Para impedir que el compartimiento se obstruya, diluya los productos concentrados o muy densos (suavizantes o detergentes) en agua antes de agregarlos.

Agregar productos de lavado en el cajón para detergente

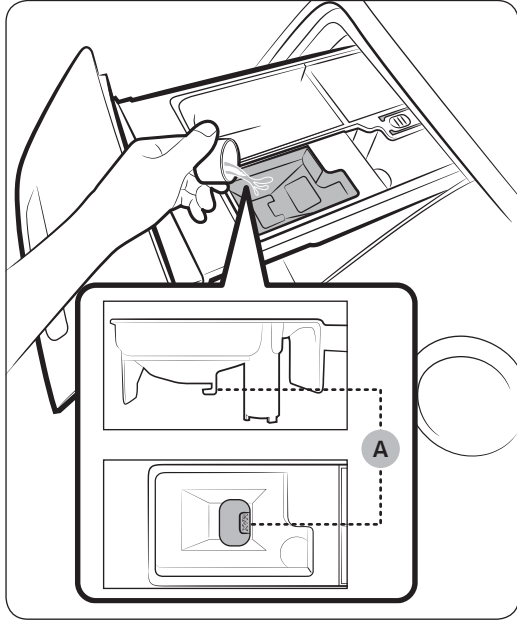


Uso de detergente líquido

1. Abra el cajón para detergente.
2. Agregue detergente líquido en el contenedor correspondiente del **compartimiento para el lavado principal**. Asegúrese de que el detergente no sobrepase la **línea máxima (A)** marcada.

📄 NOTA

- No agregue detergente en polvo ni otros agentes de lavado en polvo en el contenedor para detergente líquido.
- Para utilizar detergente en polvo, consulte la página 32.



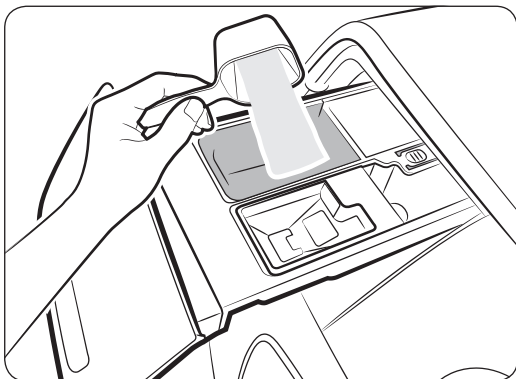
3. Agregue suavizante para telas en el **compartimiento para el suavizante**. No sobrepase la línea máxima (A).

⚠ PRECAUCIÓN

- No se recomienda el suavizante de telas en polvo. Utilice solo suavizante de telas líquido.
 - El suavizante de telas concentrado debe diluirse en agua antes de agregarlo.
 - No agregue detergente para lavado principal en el **compartimiento para el suavizante**.
4. Cierre el cajón para detergente.

Antes de comenzar

Para utilizar detergente en polvo

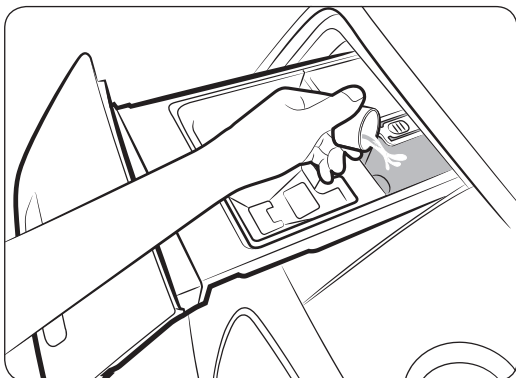


Primero retire el contenedor para detergente líquido provisto del **compartimento para el lavado principal**. Luego, agregue detergente en polvo en el **compartimento para el lavado principal** siguiendo las instrucciones del fabricante de detergente.

⚠ PRECAUCIÓN

No agregue detergente en polvo en el contenedor para detergente líquido.

Para utilizar el compartimento para el blanqueador

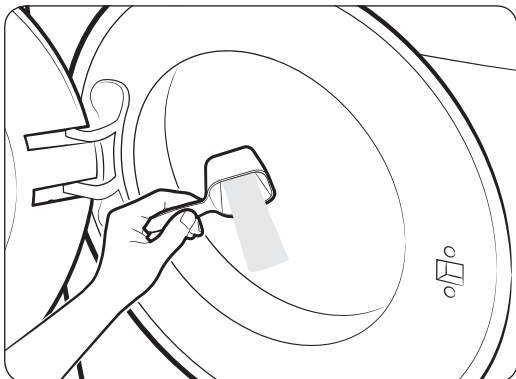


Agregue solo blanqueador líquido con cloro en el **compartimento para blanqueador**. No sobrepase la línea máxima.

⚠ PRECAUCIÓN

No agregue un blanqueador líquido que contenga cloro sin diluir directamente sobre la carga o dentro del tambor. Se trata de un químico potente y puede ser perjudicial para la tela, por ejemplo desgastando las fibras o causando decoloración, si no se usa correctamente.

Para utilizar potenciador de lavado o blanqueador con protección para ropa de color



Los potenciadores de lavado o blanqueadores con protección para ropa de color pueden mejorar el desempeño del lavado. Asegúrese de agregar el potenciador de lavado o el blanqueador con protección para ropa de color después de colocar la ropa en el tambor.

📄 NOTA

Para usar detergente en polvo y potenciador de lavado o blanqueador con protección para ropa de color, resulta más efectivo colocarlos juntos en el tambor antes de cargar la ropa.

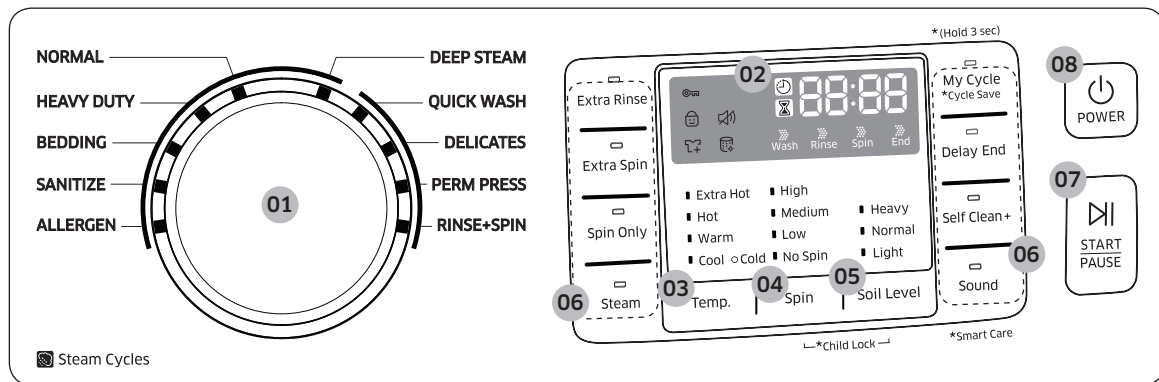
Funcionamiento

⚠ ADVERTENCIA

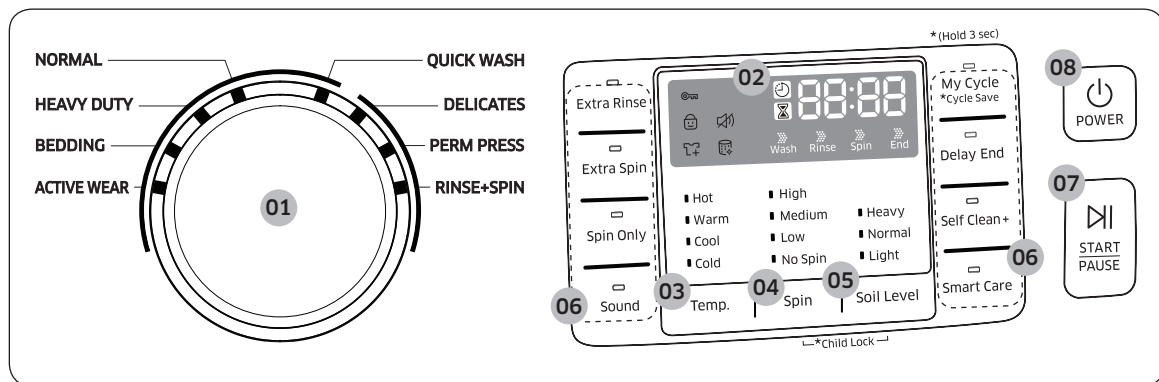
Para reducir el riesgo de incendio, descarga eléctrica o lesiones personales, lea las INSTRUCCIONES DE SEGURIDAD IMPORTANTES antes de poner en funcionamiento el electrodoméstico.

Panel de funciones

WF45M5500A*




WF45M5100A*



Funcionamiento

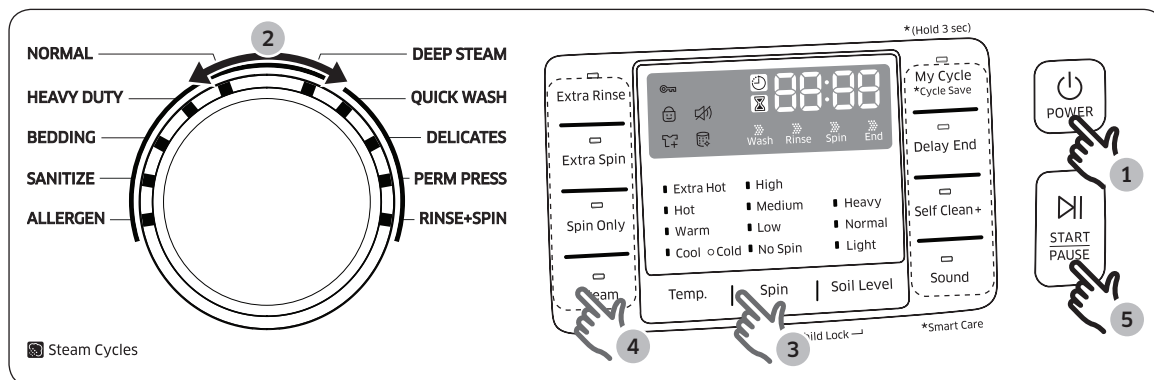
01 Selector de ciclos	Gire el disco para seleccionar un ciclo.
02 Display	El display muestra información y tiempo restante del ciclo que se está ejecutando, o un código de información si la lavadora necesita revisión.
03 Temp. (Temperatura)	<p>Presione para cambiar la temperatura del ciclo que se está ejecutando.</p> <p>WF45M5500A*</p> <ul style="list-style-type: none"> • Extra Hot (Muy caliente): Prendas muy sucias y que no destiñen. Solo disponible con NORMAL, HEAVY DUTY (ACCIÓN FUERTE) y SANITIZE (DESINFECCIÓN). • Hot (Caliente): Ropa blanca y prendas muy sucias de colores sólidos. • Warm (Tibia): Solo usa agua tibia al final del proceso de enjuague. Es útil para ahorrar energía. • Cool (Fresca): Prendas de colores vivos, ligeramente sucias. La lavadora suministra agua caliente adicional o enciende el calentador para que caliente el agua si está a menos de 60 °F (16 °C). • Cold (Fría): Usa solo agua fría sin encender el calentador. No se suministra agua tibia. <p>WF45M5100A*</p> <ul style="list-style-type: none"> • Hot (Caliente): Ropa blanca y prendas muy sucias de colores sólidos. • Warm (Tibia): Solo usa agua tibia al final del proceso de enjuague. Es útil para ahorrar energía. • Cool (Fresca): Prendas de colores vivos, ligeramente sucias. La lavadora suministra agua caliente adicional o enciende el calentador para que caliente el agua si está a menos de 60 °F (16 °C). • Cold (Fría): Usa solo agua fría sin encender el calentador. No se suministra agua tibia.

04 Spin (Centrifugar)	<p>Presione para cambiar la velocidad de centrifugado del ciclo que se está ejecutando.</p> <ul style="list-style-type: none"> • High (Alta): Ropa interior, camisetas, jeans y algodones resistentes. • Medium (Media): Jeans, prendas sin arrugas o que no necesitan planchado y telas sintéticas. • Low (Baja): Prendas delicadas que necesitan una velocidad baja de centrifugado. • No Spin (Sin centrifugado): El tambor no centrifuga después del proceso de drenaje final. • Mantener en remojo (No se enciende ningún indicador): El proceso de enjuague final se interrumpe para que la carga permanezca en el agua. Para sacar la ropa, ejecute el proceso de drenaje o de centrifugado. <p> NOTA</p> <p>Spin Only (Solo centrifugado): Este ciclo es solo para el proceso de centrifugado. Con el tiempo del ciclo en el display, presione Spin (Centrifugar) repetidamente hasta que se seleccione la velocidad de centrifugado deseada. A continuación presione START/PAUSE (INICIO/PAUSA) para iniciar el ciclo.</p> <p>Este ciclo solo está disponible cuando no hay ningún ciclo seleccionado.</p>
05 Soil Level (Nivel de suciedad)	<p>Presione el botón para seleccionar el nivel de suciedad y el tiempo de lavado.</p> <ul style="list-style-type: none"> • Heavy (Muy sucia): Para prendas muy sucias. • Normal: Para prendas moderadamente sucias. Esta opción es la mejor para la mayoría de las cargas. • Light (Poco sucia): Para prendas ligeramente sucias.
06 Opciones	<p>Presione los botones para seleccionar diferentes opciones del ciclo.</p>
07 START/PAUSE (INICIO/PAUSA)	<p>Presione para iniciar o detener una operación.</p>
08 POWER (ENCENDER/APAGAR)	<p>Presione para encender y apagar la lavadora.</p>

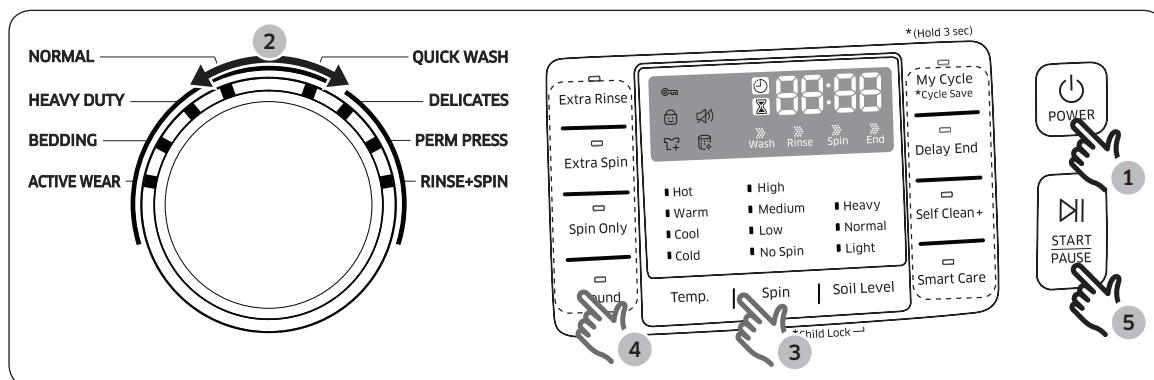
Funcionamiento

Sencillos pasos para comenzar

WF45M5500A*



WF45M5100A*



1. Presione **POWER** (ENCENDER/APAGAR) para poner en funcionamiento la lavadora.
2. Gire el Selector de ciclos para seleccionar el ciclo deseado.
3. Cambie la configuración del ciclo (Temp. (Temperatura), Spin (Centrifugar) y Soil Level (Nivel de suciedad)) según sea necesario.
4. Seleccione las opciones deseadas según sea necesario.
5. Presione **START/PAUSE** (INICIO/PAUSA).

Para cambiar el ciclo durante el funcionamiento

1. Presione **START/PAUSE** (INICIO/PAUSA) para detener el funcionamiento.
2. Seleccione otro ciclo.
3. Presione nuevamente **START/PAUSE** (INICIO/PAUSA) para iniciar el nuevo ciclo.

⚠ ADVERTENCIA

No coloque ningún objeto en la parte superior de la lavadora cuando esté en funcionamiento.


Descripción de los ciclos

Ciclos normales

Ciclo	Descripción
QUICK WASH (LAVADO RÁPIDO)	<ul style="list-style-type: none">• Para prendas ligeramente sucias que desea que se laven rápidamente.
DELICATES (DELICADA)	<ul style="list-style-type: none">• Para telas finas, brassieres, lencería (seda) y otras telas que deben lavarse únicamente a mano.• Para obtener mejor desempeño, use detergente líquido.
PERM PRESS (PLANCHADO PERMANENTE)	<ul style="list-style-type: none">• Para telas sintéticas que no necesitan planchado y prendas ligera o moderadamente sucias.
RINSE+SPIN (ENJUAGUE+CENTRIFUGADO)	<ul style="list-style-type: none">• Efectúa un ciclo de enjuague adicional después de agregar suavizante de telas a la ropa.
ACTIVE WEAR (ROPA DEPORTIVA) (solo modelo WF45M5100*)	<ul style="list-style-type: none">• Para ropa de ejercicio, como buzos y pantalones deportivos, camisetas y otras prendas de entrenamiento. Este ciclo proporciona una eliminación efectiva de la suciedad con un giro controlado del tambor para prendas que requieren un cuidado especial.

Funcionamiento

Ciclos de vapor

Ciclo	Descripción
DEEP STEAM (VAPORIZACIÓN PROFUNDA) (solo modelo WF45M5500A*)	<ul style="list-style-type: none">Para prendas muy sucias de colores sólidos. Este ciclo usa vapor y una temperatura elevada para eliminar eficazmente las manchas.
NORMAL	<ul style="list-style-type: none">Para ropa de algodón, de cama y de mesa, ropa interior, toallas o camisas. La duración del lavado y el número de enjuagues se ajustan automáticamente de acuerdo con la carga.
HEAVY DUTY (ACCIÓN FUERTE)	<ul style="list-style-type: none">Para telas resistentes de colores sólidos y prendas muy sucias.
BEDDING (ROPA DE CAMA)	<ul style="list-style-type: none">Para prendas voluminosas, como edredones, cobijas y sábanas.Para obtener los mejores resultados lave 1 solo tipo de ropa de cama.Para prendas voluminosas, use detergente líquido y no enrolle las prendas en el tambor ya que pueden quedarse adheridas.
SANITIZE (DESINFECCIÓN) (solo modelo WF45M5500A*)	<ul style="list-style-type: none">Para prendas muy sucias de colores sólidos. Este ciclo calienta el agua a 150 °F para eliminar las bacterias. <p> NOTA Si presiona pause START/PAUSE (INICIO/PAUSA) durante la fase de calentamiento del ciclo de SANITIZE (DESINFECCIÓN), la puerta de la lavadora permanecerá trabada por su seguridad.</p>
ALLERGEN (ALÉRGENOS) (solo modelo WF45M5500A*)	<ul style="list-style-type: none">Este ciclo se aplica para eliminar ácaros, caspa de las mascotas u otras sustancias alérgicas de las telas.


Opciones

Opción	Descripción
Extra Rinse (Enjuague extra)	<ul style="list-style-type: none"> • Agrega un enjuague adicional al final del ciclo para remover los aditivos del lavado con mayor eficacia.
Extra Spin (Centrifugado extra)	<ul style="list-style-type: none"> • Agrega tiempo adicional para extraer más agua de las cargas.
Spin Only (Solo centrifugado)	<ul style="list-style-type: none"> • Presione para ejecutar únicamente el ciclo de centrifugado del programa seleccionado.
Steam (Vapor)	<ul style="list-style-type: none"> • Presione este botón para usar la función de vapor. El vapor está disponible con NORMAL, HEAVY DUTY (ACCIÓN FUERTE), BEDDING (ROPA DE CAMA), SANITIZE (DESINFECCIÓN), DEEP STEAM (VAPORIZACIÓN PROFUNDA) y ALLERGEN (ALÉRGENOS). Para prendas muy sucias de colores sólidos, la función de vapor mejora el tratamiento de las manchas y emplea menos agua (solo para modelo WF45M5500A*).
Sound (Sonido)	<ul style="list-style-type: none"> • Presione para silenciar la lavadora. No se emiten alarmas ni melodías excepto el pitido de verificación de diagnóstico, y se enciende el indicador "🔊". Para cancelar el silencio, presione nuevamente el botón .
My Cycle (Mi ciclo)	<ul style="list-style-type: none"> • Cree su propio ciclo de lavado con su configuración preferida y úselo simplemente presionando un botón.
Delay End (Término retardado)	<ul style="list-style-type: none"> • Configure la lavadora para que finalice el lavado automáticamente en otro momento. Puede elegir un tiempo de retardo de entre 1 y 24 horas (en incrementos de 1 hora).
Self Clean+ (Autolimpieza+)	<ul style="list-style-type: none"> • Limpia el tambor al eliminar la suciedad y las bacterias presentes. • Ejecútelo una vez cada 40 lavados sin detergente ni blanqueador. • Asegúrese de que el tambor esté vacío. • No agregue agentes de limpieza para el tambor.
Smart Care	<ul style="list-style-type: none"> • Esta función permite comprobar el estado de la lavadora con un teléfono inteligente.

Funcionamiento

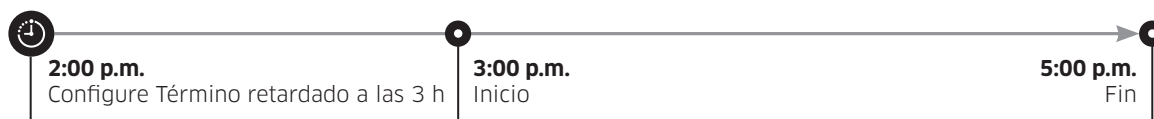
Término retardado

Puede hacer que la lavadora finalice automáticamente el lavado en otro momento, eligiendo un tiempo de retardo de entre 1 y 24 horas (en incrementos de 1 hora). El display indica la hora a la que finalizará el lavado.

1. Seleccione un ciclo. Luego, cambie la configuración del ciclo si es necesario.
2. Presione **Delay End (Término retardado)** repetidamente hasta establecer la hora de finalización deseada.
3. Presione **START/PAUSE (INICIO/PAUSA)**. El indicador  se ilumina con el reloj en marcha.
4. Para cancelar el **Delay End (Término retardado)**, reinicie la lavadora presionando **POWER (ENCENDER/APAGAR)**.

Ejemplo

Desea que un ciclo que dura 2 horas finalice dentro de 3 horas. Para ello, agregue la opción de término retardado al ciclo que se está ejecutando con un ajuste de 3 horas y presione el botón **START/PAUSE (INICIO/PAUSA)** a las 2:00 p.m. ¿Qué sucede? La lavadora comienza a funcionar a las 3:00 p.m. y se detiene a las 5:00 p.m. A continuación se proporcionan los tiempos para este ejemplo.



Vapor

Con el ciclo Vapor, la lavadora detecta el peso de la carga y controla el efecto del vapor de acuerdo con la carga. Esto mejora el desempeño del lavado.

Los ciclos disponibles con vapor son: NORMAL, HEAVY DUTY (ACCIÓN FUERTE), BEDDING (ROPA DE CAMA), SANITIZE (DESINFECCIÓN), ALLERGEN (ALÉRGENOS) y DEEP STEAM (VAPORIZACIÓN PROFUNDA).

1. Gire el **Selector de ciclos** para seleccionar un ciclo de vapor.
2. Presione **Steam (Vapor)**.
3. Agregue el detergente y el suavizante de telas siguiendo las instrucciones.
4. Presione **START/PAUSE (INICIO/PAUSA)** para iniciar el ciclo.

NOTA

- El vapor puede no estar presente o visible durante el ciclo. Esto es normal.
- A diferencia de otros ciclos de vapor, no es necesario presionar **Steam (Vapor)** para VAPORIZACIÓN PROFUNDA ya que el botón **Steam (Vapor)** se enciende automáticamente.

Seguro para niños

Para prevenir posibles accidentes con los niños, la función Seguro para niños bloquea todos los botones, excepto **POWER (ENCENDER/APAGAR)**.

Para activar el Seguro para niños

- Mantenga presionados los botones **Soil Level (Nivel de suciedad)** y **Spin (Centrifugar)** durante 3 segundos. A continuación, presione **START/PAUSE (INICIO/PAUSA)** para activarlo. La puerta se bloquea con el indicador.

Para desactivar el Seguro para niños temporalmente

- Puede desactivar temporalmente el Seguro para niños durante 1 minuto. Para ello, mantenga presionados los botones **Soil Level (Nivel de suciedad)** y **Spin (Centrifugar)** durante 3 segundos. La puerta se desbloquea durante 1 minuto y el indicador parpadea,

NOTA

- Si se abre la puerta 1 minuto después de desactivar el Seguro para niños, suena una alarma durante 2 minutos.
- Si se cierra la puerta antes de transcurrir los 2 minutos, ésta se bloquea y el Seguro para niños se reactiva. Si deja la puerta abierta o ésta no está bien cerrada, la alarma suena durante 2 minutos.
- Para agregar prendas después de activar el Seguro para niños, primero desactive el Seguro para niños o reinicie la lavadora.

Para cancelar el Seguro para niños

- Mantenga presionados los botones **Soil Level (Nivel de suciedad)** y **Spin (Centrifugar)** durante 6 segundos. La puerta se desbloquea y el indicador se apaga.

Mi ciclo

Cree su propio ciclo de lavado con su configuración preferida y úselo con un botón.

Para crear su propio ciclo

1. Gire el **Selector de ciclos** para seleccionar el ciclo deseado.
2. Cambie la configuración del ciclo (**Temp. (Temperatura)**, **Spin (Centrifugar)** y **Soil Level (Nivel de suciedad)**) según sea necesario.
3. Agregue una opción de su preferencia. Para obtener más información, consulte la sección "Opciones".
4. Mantenga presionado **My Cycle (Mi ciclo)** durante 3 segundos para guardar los ajustes. Los indicadores correspondientes parpadean durante 3 segundos. Una vez guardado el ciclo, puede usarlo presionando **My Cycle (Mi ciclo)**.

NOTA

Si presiona **My Cycle (Mi ciclo)** y lo suelta dentro de los 3 segundos, aparecerán las opciones y el ciclo que se guardaron anteriormente.



Funcionamiento

Sonido

Cancela o activa el sonido.

- La función Sin Sonido se puede seleccionar durante todos los ciclos.

ATC (control automático de la temperatura)

La función ATC permite a la lavadora controlar la temperatura del agua en cada proceso de lavado mediante el termistor interno. Está diseñada para mantener el nivel de la temperatura de lavado y mejorar el desempeño.



NOTA

- Si selecciona NORMAL o HEAVY DUTY (ACCIÓN FUERTE), es posible que advierta que la lavadora suministra agua fría. Esto es normal, ya que la lavadora está diseñada para reducir el consumo energético.
- En dichos ciclos, la temperatura caliente es similar a una temperatura de agua de ducha, y la temperatura tibia es similar a la temperatura agradable de una piscina.
- Para lavar prendas a una temperatura específica, primero debe elegir un ciclo diferente.



Mantenimiento

Mantenga la lavadora limpia para impedir el deterioro del desempeño y para preservar su vida útil.

ADVERTENCIA

El panel de control, el tambor de centrifugado, el motor, la válvula de entrada y la bomba no están conectados a tierra intencionalmente y pueden presentar riesgo de descarga eléctrica durante el servicio técnico.

Autolimpieza+

Efectúe este ciclo regularmente para limpiar el tambor y eliminar las bacterias.

1. Asegúrese de que el tambor esté vacío.
2. Presione **POWER (ENCENDER/APAGAR)** para poner en funcionamiento la lavadora.
3. Seleccione **Self Clean+ (Autolimpieza+)**.
4. Presione **START/PAUSE (INICIO/PAUSA)**.

NOTA

- La temperatura del agua de la autolimpieza está configurada como muy caliente y no se puede cambiar (solo para modelo WF45M5500A*).
- La temperatura del agua de la autolimpieza está configurada como caliente y no se puede cambiar (solo para modelo WF45M5100A*).

PRECAUCIÓN

No utilice agentes limpiadores. No agregue detergente ni blanqueador. Los residuos químicos que quedan en el tambor disminuyen el desempeño del lavado.

Recordatorio de la autolimpieza+ ()

- El recordatorio de **Self Clean+ (Autolimpieza+)** se muestra en la pantalla principal cada 40 lavados. Es aconsejable realizar la **Self Clean+ (Autolimpieza+)** regularmente.
- Si no ejecuta el ciclo en el término de 1 hora desde que aparece el recordatorio de **Self Clean+ (Autolimpieza+)**, el recordatorio se apaga automáticamente.
- Cuando vea este recordatorio por primera vez, puede ignorarlo hasta 6 veces consecutivas. A partir del séptimo lavado, el recordatorio deja de aparecer. Sin embargo, vuelve a aparecer cuando se alcanzan los 40 lavados por segunda vez.

Mantenimiento

Smart Care

La función Smart Care le ayuda a diagnosticar y solucionar los problemas que pueda tener la lavadora. Para activar esta función primero se debe descargar la aplicación Samsung Smart Washer en Play Store o en Apple Store e instalarla en un dispositivo móvil que disponga de una cámara.

La función Smart Washer Smart Care se ha optimizado para: dispositivos de las series Galaxy y iPhone. (Algunos modelos no la admiten.)

Cuando la lavadora está funcionando, ejecuta su función de autodiagnóstico en un segundo plano. Si detecta un problema, muestra un código de información en la pantalla, que usted podrá escanear con la función Smart Care de la aplicación. Luego la función Smart Care mostrará información detallada del código.

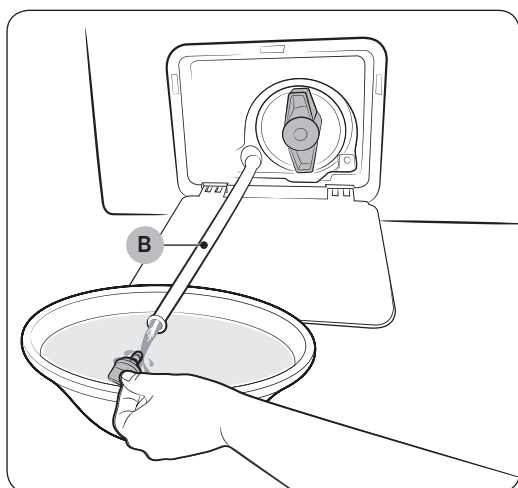
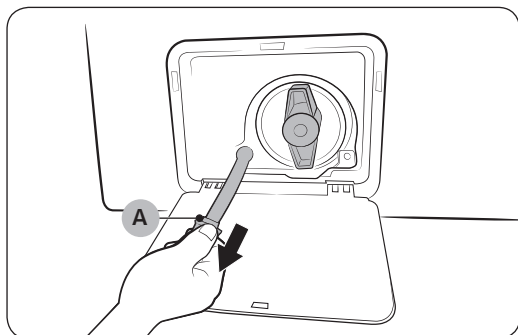
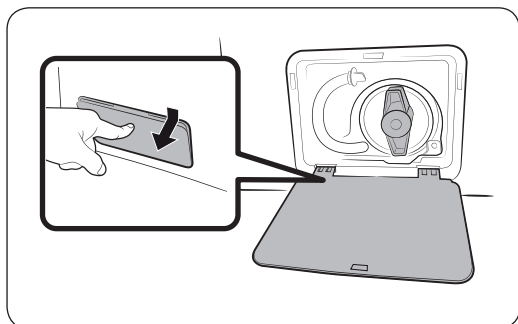
1. Para activar la función Smart Care.
 - Mantenga presionado **Sound (Sonido)** en la lavadora durante 3 segundos para ingresar en el modo Smart Care (solo para modelo WF45M5500A*).
 - Presione el botón **Smart Care** para ingresar en el modo Smart Care (solo para modelo WF45M5100A*).
2. Ejecute la aplicación Samsung Smart Washer en su dispositivo móvil y toque **Smart Care**.
3. Coloque la cámara del dispositivo móvil cerca del panel del display de la lavadora de modo que el dispositivo móvil y la lavadora queden encarados. La aplicación reconocerá inmediatamente el código de información.
4. Cuando el código de información se reconoce correctamente, la aplicación proporciona información detallada sobre el síntoma y las medidas aplicables.

NOTA

- El nombre de la función, Smart Care, puede variar según el idioma.
- Si en el display de la lavadora hay reflejos, es posible que la aplicación no reconozca el código de información.
- Si la aplicación no reconoce el código Smart Care consecutivamente, ingrese a mano el código de información en la pantalla de la aplicación.

Drenaje de emergencia

Si se produce una falla en el suministro eléctrico, vacíe el agua del tambor antes de retirar la ropa.



1. Apague y desenchufe la lavadora del tomacorriente.
2. Presione suavemente la parte superior de la tapa del filtro para abrirla.
3. Coloque un recipiente grande y vacío debajo y extienda el **tubo de drenaje de emergencia** hacia el recipiente mientras sujeta el **tapón del tubo (A)**.
4. Abra el **tapón del tubo** y deje caer el agua del **tubo de drenaje de emergencia (B)** en el recipiente.
5. Al finalizar, cierre el **tapón del tubo** y vuelva a insertar el tubo. Luego, cierre la **tapa del filtro**.

NOTA

Use un recipiente grande, ya que el tambor puede contener más agua de la esperada.

Mantenimiento

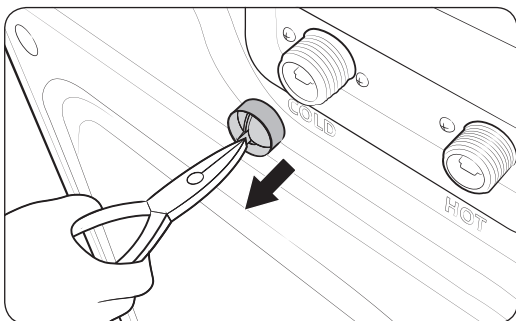
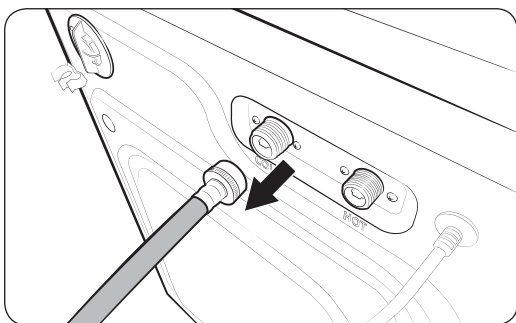
Limpieza

Superficie de la lavadora

Use un paño suave y un detergente doméstico que no sea abrasivo. No rocíe agua sobre la lavadora.

Filtro de malla

Limpie el filtro de malla la manguera de agua una o dos veces por año.



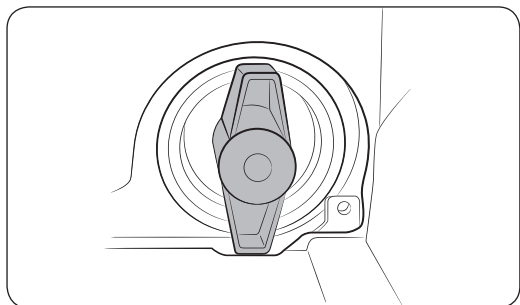
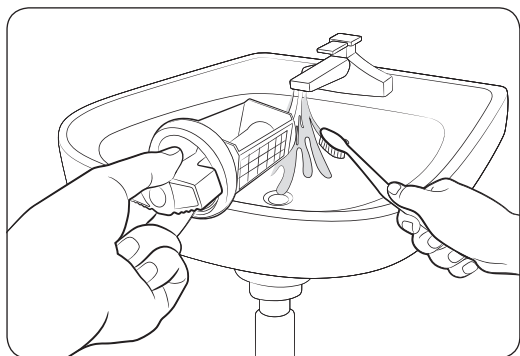
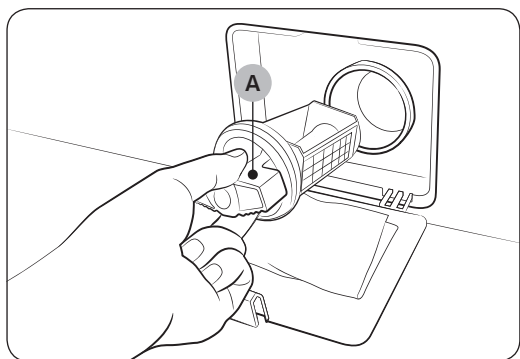
1. Apague la lavadora y desenchufe el cable de alimentación.
2. Cierre la llave de agua.
3. Afloje y desconecte la manguera de agua de la parte trasera de la lavadora. Cubra la manguera con un paño para evitar la fuga de agua.
4. Use unas pinzas para sacar el filtro de malla de la válvula de entrada.
5. Sumerja el filtro de malla en agua de modo que el conector roscado quede también sumergido.
6. Seque el filtro de malla a la sombra.
7. Vuelva a insertar el filtro de malla en la válvula de entrada y reconecte la manguera de agua en la válvula.
8. Abra la llave.

NOTA

Si el filtro de malla está obstruido, aparece el código de información "4C" en la pantalla.

Filtro de la bomba

Es recomendable limpiar el filtro de la bomba 5 o 6 veces por año para evitar que se obstruya. Un filtro de bomba obstruido puede reducir el efecto de las burbujas.



1. Apague la lavadora y desenchufe el cable de alimentación.
2. Drene el agua restante del tambor. Consulte la sección “Drenaje de emergencia”.
3. Presione suavemente la parte superior de la **tapa del filtro** para abrirla.
4. Gire la **perilla del filtro de la bomba (A)** hacia la izquierda y vacíe el agua restante.
5. Limpie el **filtro de la bomba** con un cepillo suave. Asegúrese de que no esté obstruida la bomba de drenaje dentro del filtro.
6. Vuelva a colocar el **filtro de la bomba** y gire la perilla del filtro hacia la derecha.
7. Cierre la **tapa del filtro**.

NOTA

- Algunos filtros de bomba cuentan con una perilla de seguridad diseñada para evitar que los niños abran accidentalmente el compartimento del filtro. Para abrir la perilla de seguridad del **filtro de la bomba**, presiónelo y gírelo en el sentido contrario al de las agujas del reloj. El mecanismo de muelle de la perilla de seguridad ayuda a abrir el filtro.
- Para cerrar la perilla de seguridad del **filtro de la bomba**, gírelo en el sentido de las agujas del reloj. El muelle emite un ruido metálico que es normal.

NOTA

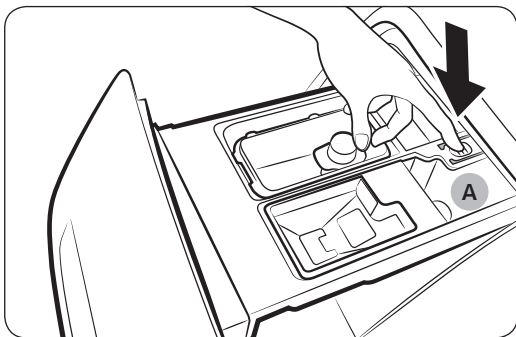
Si el filtro de la bomba está obstruido, aparece el código de información “5C” en la pantalla de la lavadora.

Mantenimiento

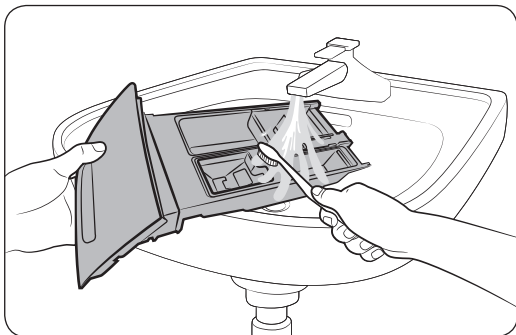
⚠ PRECAUCIÓN

- Asegúrese de cerrar bien la perilla del filtro luego de limpiarlo. De lo contrario, puede originar una fuga.
- Asegúrese de insertar correctamente el filtro luego de limpiarlo. De lo contrario, puede originar una falla en el funcionamiento o una fuga.

Cajón para detergente



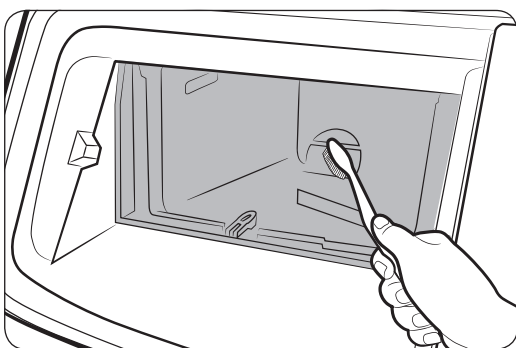
1. Mientras presiona la **palanca de seguridad (A)** en el interior del cajón, abra el cajón.
2. Retire el **contenedor para detergente líquido** del cajón.



3. Limpie los componentes del cajón con agua corriente y un cepillo suave.

📄 NOTA

Otras partes del cajón también se pueden retirar. Pueden caer si se voltea el cajón.

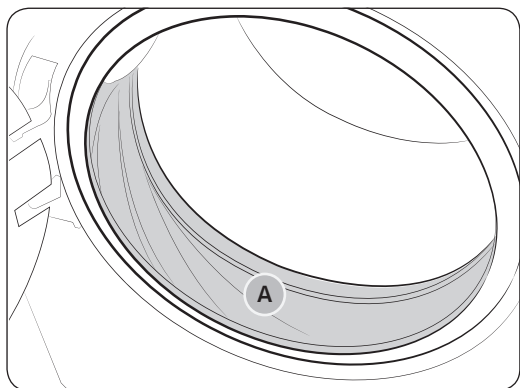


4. Limpie el hueco del cajón con un cepillo suave.
5. Vuelva a insertar la **palanca de seguridad** y el **contenedor para detergente líquido** en el cajón.
6. Deslice el cajón en el hueco y empuje hacia adentro hasta que cierre completamente.

📄 NOTA

Para eliminar el detergente restante, realice el ciclo **RINSE+SPIN (ENJUAGUE+CENTRIFUGADO)** con el tambor vacío.

Diafragma de la puerta



1. Abra la puerta y vacíe el tambor.
2. Mezcle 3/4 de taza de blanqueador líquido a base de cloro y 1 galón de agua tibia de la llave.
3. Dé la vuelta al diafragma (A).
4. Póngase guantes de goma y limpie el diafragma con un paño limpio y suave mojado en la solución de agua y blanqueador.
5. Deje reposar durante 5 minutos y luego limpie y seque bien.
6. Vuelva a colocar el diafragma en su lugar.

⚠ PRECAUCIÓN

Maneje el blanqueador con cuidado siguiendo las instrucciones del fabricante.

Recuperación de un congelamiento

La lavadora se puede congelar cuando la temperatura desciende por debajo de 0 °C.

1. Apague la lavadora y desenchufe el cable de alimentación.
2. Vierta agua tibia en la llave para aflojar la manguera de agua.
3. Desconecte la manguera de agua y sumérgala en agua tibia.
4. Vierta agua tibia en el tambor y déjela 10 minutos aproximadamente.
5. Vuelva a conectar la manguera de agua a la llave del agua.

📄 NOTA

Si la lavadora sigue sin funcionar correctamente, repita los pasos anteriores hasta que funcione con normalidad.

Mantenimiento luego de un periodo prolongado sin utilizar la lavadora

Evite dejar la lavadora inactiva durante un periodo de tiempo prolongado. Si esto no es posible, drene la lavadora y desenchufe el cable de alimentación.

1. Gire el **Selector de ciclos** para seleccionar **RINSE+SPIN (ENJUAGUE+CENTRIFUGADO)**.
2. Vacíe el tambor y presione **START/PAUSE (INICIO/PAUSA)**.
3. Luego de completado el ciclo, cierre la llave del agua y desconecte la manguera de agua.
4. Apague la lavadora y desenchufe el cable de alimentación.
5. Abra la puerta para que el aire circule por el tambor.

Mantenimiento

Limpeza del exterior

1. Cierre las llaves del agua después de finalizar el lavado del día.
Esto cerrará el suministro de agua a la lavadora y evitará la improbable posibilidad de que se produzcan daños a causa del derrame de agua. Deje la puerta abierta para permitir que el interior de la lavadora se seque.
2. Use un paño suave para limpiar todo el detergente, el blanqueador u otros derrames a medida que ocurran.
Limpie lo siguiente tal como se recomienda:
 - Panel de control - Limpie con un paño suave y húmedo. No use polvos abrasivos ni toallitas limpiadoras. No rocíe el panel directamente con limpiadores en aerosol.
 - Gabinete - Lave con agua y jabón.

Limpeza del interior

Limpie el interior de la lavadora periódicamente para eliminar todo vestigio de suciedad, polvo, olor, moho, hongos o bacterias que pueda permanecer en la lavadora como consecuencia del lavado de ropa.

PRECAUCIÓN

El incumplimiento de estas instrucciones puede dar como resultado situaciones poco satisfactorias, tales como olor y/o manchas permanentes en la lavadora o en las prendas.

NOTA

Se pueden retirar los depósitos de agua dura si fuera necesario. Use un limpiador que en el rótulo indique que es seguro para lavadoras.

Solución de problemas

Verificaciones

Si tiene algún problema con la lavadora, primero consulte la tabla siguiente y pruebe las sugerencias.

Problema	Acción
No se inicia.	<ul style="list-style-type: none">• Asegúrese de que la lavadora esté enchufada.• Asegúrese de que la puerta esté perfectamente cerrada.• Asegúrese de que las llaves del agua estén abiertas.• Asegúrese de presionar o tocar START/PAUSE (INICIO/PAUSA) para iniciar el funcionamiento de la lavadora.• Asegúrese de que Seguro para niños no esté activado.• Antes de que la lavadora comience a llenarse, se oirá una serie de sonidos semejantes a un "clic" para controlar la traba de la puerta y que se efectúe un drenaje rápido.• Revise el fusible o reinicie el disyuntor.
No hay suministro de agua o el suministro de agua es insuficiente.	<ul style="list-style-type: none">• Abra totalmente la llave.• Asegúrese de que la puerta esté perfectamente cerrada.• Asegúrese de que la manguera de suministro de agua no esté congelada.• Asegúrese de que la manguera de suministro de agua no esté enroscada u obstruida.• Asegúrese de que la presión del agua sea suficiente.
Después de un ciclo, queda detergente en el cajón para detergente.	<ul style="list-style-type: none">• Asegúrese de que la lavadora funcione con suficiente presión de agua.• Asegúrese de verter el detergente en la parte central del cajón para detergente.• Asegúrese de insertar correctamente el medidor para el enjuague.• Si utiliza un detergente granulado, asegúrese de que el selector de detergente se encuentre en la posición superior.• Retire el medidor para el enjuague y limpie el cajón para detergente.
Vibra de forma excesiva o hace ruido.	<ul style="list-style-type: none">• Asegúrese de que la lavadora esté instalada sobre un piso nivelado y firme que no sea resbaladizo. Si el piso está desnivelado, use las patas niveladoras para ajustar la altura de la lavadora.• Asegúrese de que se hayan retirado los tornillos de transporte.• Asegúrese de que la lavadora no esté en contacto con ningún otro objeto.• Verifique que la carga de ropa sea equilibrada.• El motor puede hacer ruido durante el funcionamiento normal.• La ropa de trabajo y las prendas con decoraciones de metal pueden generar ruidos durante el lavado. Esto es normal.• Los objetos metálicos como las monedas pueden generar ruidos. Después del lavado, retire estos objetos del tambor o la caja del filtro.

Solución de problemas

Problema	Acción
No drena y/o no centrifuga.	<ul style="list-style-type: none"> Asegúrese de que la manguera de drenaje esté completamente enderezada hasta el sistema de drenaje. Si encuentra alguna restricción en cuanto al drenaje, comuníquese con el servicio técnico. Verifique que el filtro de residuos no esté obstruido. Cierre la puerta y presione o toque START/PAUSE (INICIO/PAUSA). Por su seguridad, la lavadora no girará ni centrifugará salvo que la puerta esté cerrada. Asegúrese de que la manguera de drenaje no esté congelada ni obstruida. Asegúrese de que la manguera de drenaje esté conectada a un sistema de drenaje que no esté obstruido. Si no se suministra suficiente energía a la lavadora, esta no drenará ni centrifugará temporalmente. En cuanto la lavadora recupere la energía suficiente, funcionará con normalidad.
La puerta no se abre.	<ul style="list-style-type: none"> Presione o toque START/PAUSE (INICIO/PAUSA) para detener el funcionamiento de la lavadora. Puede llevar algunos minutos que el mecanismo de cierre de la puerta se desconecte. La puerta no se abrirá hasta 3 minutos después de que la lavadora se haya detenido o apagado. Asegúrese de que se haya drenado toda el agua del tambor. Es posible que la puerta no se abra si queda agua en el tambor. Drene el tambor y abra la puerta manualmente. Asegúrese de que la luz de la traba de la puerta se apague. La luz de la traba de la puerta se apaga después de que la lavadora realiza el drenaje.
Exceso de espuma.	<ul style="list-style-type: none"> Asegúrese de utilizar los tipos recomendados de detergente según corresponda. Use un detergente de alta eficacia (HE, por su sigla en inglés) para evitar la formación de espuma en exceso. Reduzca la cantidad de detergente para el agua blanda, las cargas pequeñas o ligeramente sucias. No se recomienda un detergente de baja eficacia.
No se puede aplicar detergente adicional.	<ul style="list-style-type: none"> Asegúrese de que la cantidad restante de detergente y suavizante de telas no supere el límite.



Problema	Acción
Se detiene.	<ul style="list-style-type: none"> • Enchufe el cable de alimentación a un tomacorriente que funcione. • Revise el fusible o reinicie el disyuntor. • Cierre la puerta y presione START/PAUSE (INICIO/PAUSA) para iniciar la lavadora. Por su seguridad, la lavadora no girará ni centrifugará salvo que la puerta esté cerrada. • Antes de que la lavadora comience a llenarse, se oirá una serie de sonidos semejantes a un "clic" para controlar la traba de la puerta y que se efectúe un drenaje rápido. • Se puede producir una pausa o un período de remojo en el ciclo. Espere un instante para ver si la lavadora comienza a funcionar. • Asegúrese de que el filtro de malla de la manguera de suministro de agua en las llaves del agua no esté obstruido. Limpie el filtro de malla periódicamente. • Si no se suministra suficiente energía a la lavadora, esta no drenará ni centrifugará temporalmente. En cuanto la lavadora recupere la energía suficiente, funcionará con normalidad.
Se llena con agua a una temperatura incorrecta.	<ul style="list-style-type: none"> • Abra por completo ambas llaves del agua. • Asegúrese de que la selección de temperatura sea la correcta. • Asegúrese de que las mangueras estén conectadas a las llaves correctas. Purgue las cañerías. • Asegúrese de que el calentador de agua esté configurado para suministrar agua caliente en la salida de agua a una temperatura mínima de 120 °F (49 °C). Asimismo, verifique la capacidad del calentador de agua y la velocidad de recuperación. • Desconecte las mangueras y limpie los filtros de malla. Los filtros de malla pueden estar obstruidos. • Mientras la lavadora se llena, la temperatura del agua puede variar debido a que la función automática de control de la temperatura verifica la temperatura del agua que ingresa. Esto es normal. • Mientras la lavadora se llena, es posible que observe que por el dosificador pasa solo agua caliente y/o solo agua fría cuando se seleccionan las temperatura fría o tibia. Esta es una función normal que cumple el control de temperatura automático dado que la lavadora determina la temperatura del agua.



Solución de problemas

Problema	Acción
La carga está húmeda al finalizar un ciclo.	<ul style="list-style-type: none">• Use la velocidad de centrifugado Alta o Muy alta.• Use un detergente de alta eficacia (HE, por su sigla en inglés) para reducir la formación de espuma en exceso.• La carga es demasiado pequeña. Las cargas pequeñas (una o dos prendas) se pueden desequilibrar y no centrifugarse en absoluto.• Asegúrese de que la manguera de drenaje no esté enroscada ni obstruida.
Pierde agua.	<ul style="list-style-type: none">• Asegúrese de que la puerta esté perfectamente cerrada.• Asegúrese de que todas las conexiones de las mangueras estén ajustadas.• Asegúrese de que el extremo de la manguera de drenaje esté correctamente conectado y asegurado al sistema de drenaje.• Evite sobrecargar la lavadora.• Use un detergente de alta eficacia (HE, por su sigla en inglés) para evitar la formación de espuma en exceso.
Tiene olor.	<ul style="list-style-type: none">• El exceso de espuma se acumula en los huecos y puede causar malos olores.• Realice ciclos de limpieza para desinfectar periódicamente.• Limpie el sello de la puerta (diafragma).• Seque el interior de la lavadora una vez finalizado el ciclo.
No se ven burbujas (Modelos con Bubbleshot solamente).	<ul style="list-style-type: none">• La sobrecarga puede evitar la formación de burbujas.• La ropa severamente contaminada puede no generar burbujas.

Si el problema persiste, comuníquese con un centro de servicio local de Samsung.

Códigos de información

Si la lavadora no funciona bien, puede ver un código de información en la pantalla. Consulte la tabla siguiente y pruebe las sugerencias.

Código	Acción
1C	<p>Revise el sensor del nivel del agua.</p> <ul style="list-style-type: none">• Apague la máquina, enciéndala de nuevo después de 2 o 3 minutos y vuelva a intentarlo.• Dependiendo del modelo el sistema de drenaje drena el agua automáticamente. Los botones POWER (ENCENDER/APAGAR) y START/PAUSE (INICIO/PAUSA) pueden desactivarse durante este proceso.
DC	<p>La puerta está abierta.</p> <ul style="list-style-type: none">• Cierre la puerta y presione START/PAUSE (INICIO/PAUSA) para reanudar el funcionamiento.
DC1	<p>Revise el interruptor de la puerta.</p> <ul style="list-style-type: none">• Apague la máquina, enciéndala de nuevo después de 2 o 3 minutos y vuelva a intentarlo.
LC	<p>Revise si hay fugas de agua.</p> <ul style="list-style-type: none">• Apague la máquina y revise el sistema de drenaje para ver si hay fugas. Una vez resuelta la fuga, encienda la máquina después de 2-3 minutos.• Dependiendo del modelo el sistema de drenaje drena el agua automáticamente. Los botones POWER (ENCENDER/APAGAR) y START/PAUSE (INICIO/PAUSA) pueden desactivarse durante este proceso.
4C	<p>Revise el conducto de suministro de agua.</p> <ul style="list-style-type: none">• Revise la conexión del conducto de suministro de agua (incluidas las llaves del agua)• Apague la máquina, enciéndala de nuevo después de 2 o 3 minutos y vuelva a intentarlo.• Dependiendo del modelo el sistema de drenaje drena el agua automáticamente. Los botones POWER (ENCENDER/APAGAR) y START/PAUSE (INICIO/PAUSA) pueden desactivarse durante este proceso.
4C2	<p>La ropa necesita protección porque el agua suministrada está demasiado caliente.</p> <ul style="list-style-type: none">• Asegúrese de que las llaves del agua fría y caliente estén conectadas correctamente.• Apague la máquina, enciéndala de nuevo después de 2 o 3 minutos y vuelva a intentarlo.

Solución de problemas

Código	Acción
5C	<p>Revise el sistema de drenaje.</p> <ul style="list-style-type: none"> Asegúrese de que el filtro de drenaje no esté obstruido. Si el filtro de drenaje está obstruido, límpielo y vuelva a encender la máquina.
HC	<p>Revise el calentador de lavado.</p> <ul style="list-style-type: none"> Apague la máquina y comuníquese con un centro de servicio al cliente.
UB	<p>Revise el proceso de centrifugado.</p> <ul style="list-style-type: none"> Es posible que la carga no esté equilibrada dentro del tambor. Revise el tambor y asegúrese de que la carga esté equilibrada. Presione START/PAUSE (INICIO/PAUSA) para reanudar la operación, o apague la máquina, enciéndala de nuevo después de 2 o 3 minutos y vuelva a intentarlo.
8C, 8C1, 8C2	<p>Revise el sensor MEMS.</p> <ul style="list-style-type: none"> Apague la máquina, enciéndala de nuevo después de 2 o 3 minutos y vuelva a intentarlo.
0C	<p>El agua puede desbordar.</p> <ul style="list-style-type: none"> Cierre la válvula de agua y comuníquese con el servicio técnico.
3C	<p>Revise el motor.</p> <ul style="list-style-type: none"> Apague la máquina, enciéndala de nuevo después de 2 o 3 minutos y vuelva a intentarlo.
AC6	<p>Verifique el estado de comunicación de la PBA.</p> <ul style="list-style-type: none"> Apague la máquina, enciéndala de nuevo después de 2 o 3 minutos y vuelva a intentarlo.
9C1/9C2	<p>Se debe revisar el control electrónico.</p> <ul style="list-style-type: none"> Revise si la alimentación se suministra normalmente. Si el código de información permanece, comuníquese con un centro de servicio al cliente.
SF	<p>Falla del sistema.</p> <ul style="list-style-type: none"> Apague la máquina y comuníquese con un centro de servicio al cliente.





Si un código de información sigue apareciendo en la pantalla, comuníquese con un centro de servicio local de Samsung.

Especificaciones

Tabla de indicaciones sobre telas

Los siguientes símbolos ofrecen indicaciones acerca de las prendas. La etiqueta de indicaciones de la prenda incluye símbolos para secado, blanqueado, secado y planchado, o limpieza en seco cuando son necesarios. El uso de símbolos garantiza la consistencia entre los fabricantes textiles de artículos nacionales e importados. Siga las indicaciones de la etiqueta para optimizar la vida útil de la prenda y reducir los problemas del lavado.

Ciclo de lavado

	Normal
	Planchado permanente/ Antiarrugas/Control de arrugas
	Prendas suaves/Delicadas
	Lavado a mano

Temperatura del agua




...	Caliente
..	Tibia
.	Fría

NOTA



Representa las temperaturas del agua del lavado apropiadas para diversas prendas. El rango de temperatura para Caliente es de 106-126 °F (41-52 °C), para Tibia es de 84-106 °F (29-41 °C) para Fría es de 61-84 °F (16-29 °C).

La temperatura del agua del lavado debe alcanzar un mínimo de 61 °F (16 °C) para que se active el detergente y se logre un lavado eficaz.




Blanqueador

	Cualquier blanqueador (cuando sea necesario)
	Solo blanqueador sin cloro (protección del color) (si es necesario)
	Secar en secadora






Normal

	Planchado permanente/ Antiarrugas/Control de arrugas
	Prendas suaves/delicadas

Instrucciones especiales

	Secar colgado/Tender
	Colgar para que escurra
	Secar en posición horizontal

Ajuste del calor




	Alto
	Medio
	Bajo
	Cualquier calor
	Sin calor / Aire




Especificaciones

Temperaturas de secado con plancha o vapor






	Alta
	Media
	Baja

Símbolos de advertencia para el lavado

	No lavar
	No retorcer
	No usar blanqueador

	No secar en secadora
	Sin vapor (agregado a la plancha)
	No planchar

Limpiar en seco

	Limpiar en seco
	No limpiar en seco
	Secar colgado / Tender
	Colgar para que escurra
	Secar en posición horizontal

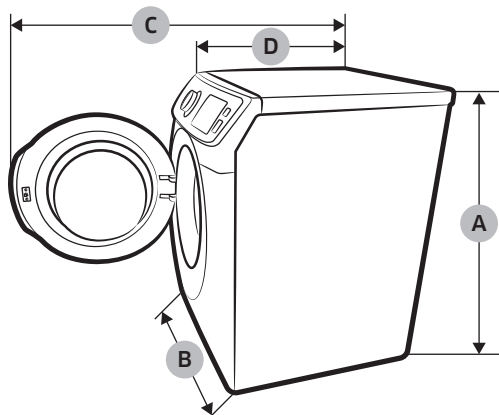
Protección del medio ambiente

- Este electrodoméstico se fabrica con materiales reciclables. Si decide deshacerse de él, siga la normativa local relacionada con la eliminación de desechos. Corte el cable de alimentación para que el electrodoméstico no pueda conectarse a una fuente de alimentación. Quite la tapa para que los animales y los niños pequeños no puedan quedar atrapados dentro de la máquina.
- No utilice cantidades de detergente mayores a las recomendadas por el fabricante del detergente.
- Utilice productos quitamanchas y blanqueadores antes del ciclo de lavado y solo cuando sea necesario.
- Ahorre agua y electricidad utilizando solo la capacidad total de la lavadora (la cantidad exacta depende del programa que se utilice).

Declaración de conformidad

Este electrodoméstico cumple con la norma UL2157.

Hoja de especificaciones



Tipo		Lavadora de carga frontal		
		WF45M5500A*	WF45M5100A*	
Dimensiones (pulgadas (mm))	A. Altura total		38.7 (984)	
	B. Ancho		27 (686)	
	C. Profundidad con la puerta abierta		54.6 (1387)	
	D. Profundidad		34 (864)	
Presión de agua (psi (kPa))			20-116 (137-800)	
Peso NETO (lb (kg))			218 (99)	
Revolución del centrifugado			1300 rpm	
Potencia del calentador			900 W	-
Consumo eléctrico	Lavado	120 V	200 W	200 W
	Lavado y calentamiento	120 V	1150 W	-
	Centrifugado	120 V	550 W	550 W
	Drenaje	120 V	80 W	80 W

Especificaciones

Tabla de ciclos

Use esta tabla para configurar el mejor ciclo y las mejores opciones para su ropa.

NOTA

Configuración	Temp. (Temperatura)	Spin (Centrifugar)	Soil Level (Nivel de suciedad)
●: configuración de fábrica	EH: Muy caliente	H: Alta	H: Muy sucia
●: se puede seleccionar	H: Caliente	M: Media	-
	W: Tibia	L: Baja	N: Normal
	C: Fresca	NS: Sin centrifugado	-
	CD: Fría	RH: Mantener en remojo	L: Poco sucia

WF45M5500A*

Ciclo	Funciones												
	Temp. (Temperatura)					Spin (Centrifugar)					Soil Level (Nivel de suciedad)		
	EH	H	W	C	CD	H	M	L	NS	RH	H	N	L
NORMAL	●	●	●	●	●	●	●	●	●	●	●	●	●
HEAVY DUTY (ACCIÓN FUERTE)	●	●	●	●	●	●	●	●	●	●	●	●	●
BEDDING (ROPA DE CAMA)			●	●	●		●	●	●	●	●	●	●
SANITIZE (DESINFECCIÓN)	●					●	●	●	●	●	●	●	●
ALLERGEN (ALÉRGICOS)		●				●	●	●	●	●	●	●	●
RINSE+SPIN (ENJUAGUE+CENTRIFUGADO)						●	●	●	●	●			
PERM PRESS (PLANCHADO PERMANENTE)			●	●	●	●	●	●	●	●	●	●	●
DELICATES (DELICADA)			●	●	●			●	●	●	●	●	●
QUICK WASH (LAVADO RÁPIDO)		●	●	●	●	●	●	●	●	●	●	●	●
DEEP STEAM (VAPORIZACIÓN PROFUNDA)		●				●	●	●	●	●	●		
Self Clean+ (Autolimpieza+)	●					●							

Ciclo	Opciones					
	Extra Rinse (Enjuague extra)	Extra Spin (Centrifugado extra)	Spin Only (Solo centrifugado)	Steam (Vapor)	Delay End (Término retardado)	My Cycle (Mi ciclo)
NORMAL	●	●	●	●	●	●
HEAVY DUTY (ACCIÓN FUERTE)	●	●	●	●	●	●
BEDDING (ROPA DE CAMA)	●	●	●	●	●	●
SANITIZE (DESINFECCIÓN)	●	●	●	●	●	●
ALLERGEN (ALÉRGICOS)	●	●	●	●	●	●
RINSE+SPIN (ENJUAGUE+CENTRIFUGADO)	●	●	●		●	●
PERM PRESS (PLANCHADO PERMANENTE)	●	●	●		●	●
DELICATES (DELICADA)	●		●		●	●
QUICK WASH (LAVADO RÁPIDO)	●		●		●	●
DEEP STEAM (VAPORIZACIÓN PROFUNDA)	●	●	●	●	●	●
Self Clean+ (Autolimpieza+)					●	

Use esta tabla para configurar el mejor ciclo y las mejores opciones para su ropa.

NOTA

Configuración	Temp. (Temperatura)	Spin (Centrifugar)	Soil Level (Nivel de suciedad)
●: configuración de fábrica	H: Caliente	H: Alta	H: Muy sucia
●: se puede seleccionar	W: Tibia	M: Media	-
	C: Fresca	L: Baja	N: Normal
	CD: Fría	NS: Sin centrifugado	-
	-	RH: Mantener en remojo	L: Poco sucia

WF45M5100A*

Ciclo	Funciones											
	Temp. (Temperatura)				Spin (Centrifugar)					Soil Level (Nivel de suciedad)		
	H	W	C	CD	H	M	L	NS	RH	H	N	L
NORMAL	●	●	●	●	●	●		●	●	●	●	●
HEAVY DUTY (ACCIÓN FUERTE)	●	●	●	●	●	●	●	●	●	●	●	●
BEDDING (ROPA DE CAMA)		●	●	●		●	●	●	●	●	●	●
ACTIVE WEAR (ROPA DEPORTIVA)		●	●	●			●	●	●	●	●	●
RINSE+SPIN (ENJUAGUE+CENTRIFUGADO)					●	●	●	●	●			
PERM PRESS (PLANCHADO PERMANENTE)		●	●	●	●	●	●	●	●	●	●	●
DELICATES (DELICADA)		●	●	●			●	●	●	●	●	●
QUICK WASH (LAVADO RÁPIDO)	●	●	●	●	●	●	●	●	●	●	●	●
Self Clean+ (Autolimpieza+)	●				●							

Ciclo	Opciones				
	Extra Rinse (Enjuague extra)	Extra Spin (Centrifugado extra)	Spin Only (Solo centrifugado)	Delay End (Término retardado)	My Cycle (Mi ciclo)
NORMAL	●	●	●	●	●
HEAVY DUTY (ACCIÓN FUERTE)	●	●	●	●	●
BEDDING (ROPA DE CAMA)	●	●	●	●	●
ACTIVE WEAR (ROPA DEPORTIVA)	●	●	●	●	●
RINSE+SPIN (ENJUAGUE+CENTRIFUGADO)	●	●	●	●	●
PERM PRESS (PLANCHADO PERMANENTE)	●	●	●	●	●
DELICATES (DELICADA)	●		●	●	●
QUICK WASH (LAVADO RÁPIDO)	●		●	●	●
Self Clean+ (Autolimpieza+)				●	

Garantía (Estados Unidos)

LAVADORA SAMSUNG

GARANTÍA LIMITADA PARA EL COMPRADOR ORIGINAL

El presente producto de la marca SAMSUNG, tal como lo provee y distribuye SAMSUNG ELECTRONICS AMERICA, INC. (SAMSUNG) y lo entrega como nuevo, en su caja de cartón original al comprador o consumidor original, está garantizado por SAMSUNG contra defectos de fabricación de los materiales y la mano de obra durante el período limitado de la garantía de:

Un (1) año para las piezas y la mano de obra, Tres (3) años para las piezas del tambor inoxidable (solo repuestos), Diez (10) años para el motor DD (solo repuestos)

La presente garantía limitada comienza en la fecha original de compra y es válida únicamente para productos comprados y usados en Estados Unidos. Para recibir el servicio técnico de la garantía, el comprador debe comunicarse con SAMSUNG con el fin de que se determine el problema y los procedimientos del servicio. El servicio técnico de la garantía solo puede ser prestado por un centro de servicio técnico autorizado de SAMSUNG. Se debe presentar la factura de compra original como prueba de compra a SAMSUNG o al servicio técnico autorizado de SAMSUNG. SAMSUNG prestará servicio técnico a domicilio durante el período de la garantía sin costo, sujeto a la disponibilidad dentro de los Estados Unidos contiguos. El servicio técnico a domicilio no está disponible en todas las áreas.

Para recibir el servicio técnico a domicilio, el producto no debe presentar obstrucciones y debe ser accesible para el agente del servicio técnico. Si el servicio técnico no está disponible, SAMSUNG puede optar por transportar el producto hasta y desde el servicio técnico autorizado.

SAMSUNG reparará, reemplazará el producto u ofrecerá un reembolso a su criterio y sin cargo adicional, tal como se establece en la presente garantía, con piezas o productos nuevos o reacondicionados si se verifica que es defectuoso durante el período limitado de la garantía especificado anteriormente. Todas las piezas y los productos reemplazados pasan a ser propiedad de SAMSUNG y deben ser devueltos a SAMSUNG. Las piezas y los productos reemplazados asumen la garantía original que resta, o noventa (90) días, el período que sea el más prolongado. La presente garantía limitada cubre defectos de fabricación de los materiales y la mano de obra encontrados durante el uso normal y doméstico de este producto y no será válida para lo siguiente: daños que ocurran durante el envío; entrega e instalación; aplicaciones y usos para los cuales el presente producto no fue destinado; números de serie o de producto alterados; daño cosmético o de acabado exterior; accidentes, abuso, descuido, incendio, inundación, caída de rayos, u otros casos fortuitos o de fuerza mayor; uso de productos, equipos, sistemas, utilidades, servicios, piezas, suministros, accesorios, aplicaciones, instalaciones, reparaciones, cableado externo o conectores no provistos ni autorizados por SAMSUNG que dañen este producto o que acarreen problemas en el servicio; voltaje de la línea eléctrica incorrecto, fluctuaciones y sobrevoltaje; ajustes del cliente e incumplimiento de lo establecido en el manual de instrucciones, instrucciones de mantenimiento y ambientales que están cubiertas y recomendadas en el manual de instrucciones; traslado y reinstalación del producto; problemas causados por plagas. La presente garantía limitada no cubre problemas derivados de la corriente, el voltaje o el suministro eléctrico incorrectos, las bombillas de luz, los fusibles de la casa, el cableado de la casa, el costo del servicio técnico para recibir instrucciones o corregir errores en la instalación. SAMSUNG no garantiza el funcionamiento ininterrumpido o sin errores del producto.

SALVO LO ESTABLECIDO EN LA PRESENTE GARANTÍA, NO EXISTEN GARANTÍAS SOBRE EL PRESENTE PRODUCTO, YA SEAN EXPRESAS O TÁCITAS, Y SAMSUNG DESCONOCE TODAS LAS GARANTÍAS QUE INCLUYEN, AUNQUE NO EN CARÁCTER TAXATIVO, CUALQUIER GARANTÍA TÁCITA DE QUE EL PRODUCTO SE ENCUENTRA EN CONDICIONES APTAS PARA LA VENTA, DE DEFRAUDACIÓN DE DERECHOS O DE QUE EL PRODUCTO SE ADECUA A LOS FINES ESPECÍFICOS PARA LOS CUALES SE ADQUIERE.

Garantía (Estados Unidos)

NINGÚN AVAL O GARANTÍA OTORGADOS POR PERSONA, COMPAÑÍA O CORPORACIÓN ALGUNA CON RESPECTO AL PRESENTE PRODUCTO REVESTIRÁ CARÁCTER VINCULANTE PARA SAMSUNG. SAMSUNG NO SERÁ RESPONSABLE POR PÉRDIDAS DE INGRESOS O LUCRO CESANTE, IMPOSIBILIDAD DE GENERAR AHORROS U OBTENER OTROS BENEFICIOS, O CUALQUIER DAÑO DERIVADO DE CIRCUNSTANCIAS ESPECIALES, DAÑO IMPREVISTO O DERIVADO CAUSADO POR EL USO, USO INCORRECTO, O INCAPACIDAD PARA USAR EL PRESENTE PRODUCTO, INDEPENDIEMENTE DE LA TEORÍA LEGAL EN QUE SE FUNDE EL RECLAMO Y AUN CUANDO SE LE HAYA NOTIFICADO A SAMSUNG DE LA POSIBILIDAD DE TALES DAÑOS.

NINGÚN RESARCIMIENTO DE NINGUNA ÍNDOLE CONTRA SAMSUNG SUPERARÁ EL MONTO DE COMPRA DEL PRODUCTO VENDIDO POR SAMSUNG Y CAUSANTE DEL PRESUNTO DAÑO. SIN LIMITAR LO PRECEDENTE, EL COMPRADOR ASUME TODO EL RIESGO Y LA RESPONSABILIDAD POR PÉRDIDA, DAÑO O LESIÓN AL COMPRADOR Y A LOS BIENES DEL COMPRADOR Y A TERCEROS Y A SUS BIENES DERIVADOS DEL USO, USO INCORRECTO O INCAPACIDAD PARA USAR EL PRESENTE PRODUCTO. LA PRESENTE GARANTÍA LIMITADA NO SE EXTENDERÁ A NINGUNA PERSONA DISTINTA DEL COMPRADOR ORIGINAL DEL PRESENTE PRODUCTO, ES INTRANSFERIBLE Y ESTABLECE SU EXCLUSIVA REPARACIÓN.

Algunos estados no permiten limitaciones en cuanto al plazo de una garantía implícita, o la exclusión o limitación de daños imprevistos o derivados, por lo tanto las limitaciones o exclusiones antedichas pueden no aplicarse en su caso. Esta garantía le otorga derechos específicos, y además puede tener otros derechos que varían según el Estado en el que se encuentre.

Para recibir servicio técnico de garantía, comuníquese con SAMSUNG a:

Samsung Electronics America, Inc.

85 Challenger Road

Ridgefield Park, NJ 07660

1-800-SAMSUNG (726-7864)

www.samsung.com/us/support

Las visitas del personal de servicio técnico para explicar funciones, mantenimiento o instalación no están cubiertas por la garantía.

Póngase en contacto con su agente del centro de llamadas Samsung para que le asesore.

Garantía (CANADÁ)

LAVADORA SAMSUNG

GARANTÍA LIMITADA PARA EL COMPRADOR ORIGINAL

El presente producto de la marca SAMSUNG, tal como lo provee y distribuye SAMSUNG ELECTRONICS CANADA, INC. (SAMSUNG) y lo entrega como nuevo, en su caja de cartón original al comprador o consumidor original, está garantizado por SAMSUNG contra defectos de fabricación de los materiales y la mano de obra durante el período limitado de la garantía de:

Un (1) año para las piezas y la mano de obra. Diez (10) años para el motor DD (solo el repuesto)

La presente garantía limitada comienza en la fecha original de compra y es válida únicamente para productos comprados y usados en Canadá. Para recibir el servicio técnico de la garantía, el comprador debe comunicarse con SAMSUNG con el fin de que se determine el problema y los procedimientos del servicio. El servicio técnico de la garantía solo puede ser prestado por un centro de servicio técnico autorizado de SAMSUNG. Se debe presentar la factura de compra original como prueba de compra a SAMSUNG o al servicio técnico autorizado de SAMSUNG. SAMSUNG prestará servicio técnico a domicilio durante el período de la garantía sin costo, sujeto a la disponibilidad dentro de Canadá. El servicio técnico a domicilio no está disponible en todas las áreas.

Para recibir el servicio técnico a domicilio, el producto no debe presentar obstrucciones y debe ser accesible para el agente del servicio técnico. Si el servicio técnico no está disponible, SAMSUNG puede optar por transportar el producto hasta y desde el servicio técnico autorizado.

Garantía (CANADÁ)

SAMSUNG reparará, reemplazará el producto u ofrecerá un reembolso a su criterio y sin cargo adicional, tal como se establece en la presente garantía, con piezas o productos nuevos o reacondicionados si se verifica que es defectuoso durante el período limitado de la garantía especificado anteriormente. Todas las piezas y los productos reemplazados pasan a ser propiedad de SAMSUNG y deben ser devueltos a SAMSUNG. Las piezas y los productos reemplazados asumen la garantía original que resta, o noventa (90) días, el período que sea el más prolongado. La presente garantía limitada cubre defectos de fabricación de los materiales y la mano de obra encontrados durante el uso normal y doméstico de este producto y no será válida para lo siguiente: daños que ocurran durante el envío; entrega e instalación; aplicaciones y usos para los cuales el presente producto no fue destinado; números de serie o de producto alterados; daño cosmético o de acabado exterior; accidentes, abuso, descuido, incendio, inundación, caída de rayos, u otros casos fortuitos o de fuerza mayor; uso de productos, equipos, sistemas, utilidades, servicios, piezas, suministros, accesorios, aplicaciones, instalaciones, reparaciones, cableado externo o conectores no provistos ni autorizados por SAMSUNG que dañen este producto o que acarreen problemas en el servicio; voltaje de la línea eléctrica incorrecto, fluctuaciones y sobrevoltaje; ajustes del cliente e incumplimiento de lo establecido en el manual de instrucciones, instrucciones de mantenimiento y ambientales que están cubiertas y recomendadas en el manual de instrucciones; traslado y reinstalación del producto; problemas causados por plagas. La presente garantía limitada no cubre problemas derivados de la corriente, el voltaje o el suministro eléctrico incorrectos, las bombillas de luz, los fusibles de la casa, el cableado de la casa, el costo del servicio técnico para recibir instrucciones o corregir errores en la instalación. SAMSUNG no garantiza el funcionamiento ininterrumpido o sin errores del producto.

SALVO LO ESTABLECIDO EN LA PRESENTE GARANTÍA, NO EXISTEN GARANTÍAS SOBRE EL PRESENTE PRODUCTO, YA SEAN EXPRESAS O TÁCITAS, Y SAMSUNG DESCONOCE TODAS LAS GARANTÍAS QUE INCLUYEN, AUNQUE NO EN CARÁCTER TAXATIVO, CUALQUIER GARANTÍA TÁCITA DE QUE EL PRODUCTO SE ENCUENTRA EN CONDICIONES APTAS PARA LA VENTA, DE DEFRAUDACIÓN DE DERECHOS O DE QUE EL PRODUCTO SE ADECUA A LOS FINES ESPECÍFICOS PARA LOS CUALES SE ADQUIERE.

NINGÚN AVAL O GARANTÍA OTORGADOS POR PERSONA, COMPAÑÍA O CORPORACIÓN ALGUNA CON RESPECTO AL PRESENTE PRODUCTO REVESTIRÁ CARÁCTER VINCULANTE PARA SAMSUNG. SAMSUNG NO SERÁ RESPONSABLE POR PÉRDIDAS DE INGRESOS O LUCRO CESANTE, IMPOSIBILIDAD DE GENERAR AHORROS U OBTENER OTROS BENEFICIOS, O CUALQUIER DAÑO DERIVADO DE CIRCUNSTANCIAS ESPECIALES, DAÑO IMPREVISTO O DERIVADO CAUSADO POR EL USO, USO INCORRECTO, O INCAPACIDAD PARA USAR EL PRESENTE PRODUCTO, INDEPENDIEMENTE DE LA TEORÍA LEGAL EN QUE SE FUNDE EL RECLAMO Y AUN CUANDO SE LE HAYA NOTIFICADO A SAMSUNG DE LA POSIBILIDAD DE TALES DAÑOS.

NINGÚN RESARCIMIENTO DE NINGUNA ÍNDOLE CONTRA SAMSUNG SUPERARÁ EL MONTO DE COMPRA DEL PRODUCTO VENDIDO POR SAMSUNG Y CAUSANTE DEL PRESUNTO DAÑO. SIN LIMITAR LO PRECEDENTE, EL COMPRADOR ASUME TODO EL RIESGO Y LA RESPONSABILIDAD POR PÉRDIDA, DAÑO O LESIÓN AL COMPRADOR Y A LOS BIENES DEL COMPRADOR Y A TERCEROS Y A SUS BIENES DERIVADOS DEL USO, USO INCORRECTO O INCAPACIDAD PARA USAR EL PRESENTE PRODUCTO. LA PRESENTE GARANTÍA LIMITADA NO SE EXTENDERÁ A NINGUNA PERSONA DISTINTA DEL COMPRADOR ORIGINAL DEL PRESENTE PRODUCTO, ES INTRANSFERIBLE Y ESTABLECE SU EXCLUSIVA REPARACIÓN.

Algunas provincias no permiten limitaciones en cuanto al plazo de una garantía implícita, o la exclusión o limitación de daños imprevistos o derivados, por lo que las limitaciones o exclusiones antedichas pueden no aplicarse en su caso.

Esta garantía le otorga derechos específicos, y además puede tener otros derechos que varían según la provincia en la que se encuentre.

Para recibir servicio técnico de garantía, comuníquese con SAMSUNG a:

Samsung Electronics Canada Inc.

2050 Derry Road West,

Mississauga, Ontario L5N 0B9 Canada

1-800-SAMSUNG (726-7864)

www.samsung.com/ca/support (English)

www.samsung.com/ca_fr/support (French)

FAX: 1-866-436-4617

Las visitas del personal de servicio técnico para explicar funciones, mantenimiento o instalación no están cubiertas por la garantía.

Póngase en contacto con su agente del centro de llamadas Samsung para que le asesore.

Garantía (CANADÁ)



Scan the QR code* or visit
www.samsung.com/spsn
 to view our helpful
 How-to Videos and Live Shows

*Requires reader to be installed on your smartphone

Scan this with your smartphone

¿TIENE PREGUNTAS O COMENTARIOS?

PAÍS	LLAME AL	O VISÍTENOS EN LÍNEA EN
U.S.A	1-800-SAMSUNG (726-7864) 1-844-SAM-PAYS (726-7297)	www.samsung.com/us/support
CANADA	1-800-SAMSUNG(726-7864) 1-844-SAM-PAYS (726-7297)	www.samsung.com/ca/support (English) www.samsung.com/ca_fr/support (French)



DC68-03773A-03