

# ME21K7010DS

2.1 cu. ft. OTR PowerGrill™ Microwave

## Features

- PowerGrill
- Ceramic Enamel Interior
- Glass-Touch Bottom Controls
- LED Cooktop Lights
- Sensor Cook
- Grilling Plate with Rack
- Simple Clean Filter
- 2.1 cu. ft. Capacity
- 4-SPEED/400 CFM Ventilation System
- Cooking Presets
- Eco Mode
- Turntable On/Off
- Hidden Vent

## Convenience

- Kitchen Timer
- Clock (12hr/24hr) with Daylight Saving Time Adjustment
- Child Safety Lock
- Reminder End Signal
- Auto Night-Light



PowerGrill



Ceramic Enamel Interior

## Available Colors



Stainless Steel  
(shown)



Black Stainless Steel

## Signature Features

### POWERGRILL

- Goes beyond just heating to toast, crisp, and brown your favorite food.
- PowerGrill delivers 1500W of cooking power through its direct grilling element

### CERAMIC ENAMEL INTERIOR

- Ceramic Enamel Interior is scratch resistant and easy to clean.
- The durable ceramic enamel surface has a porcelain-like coating.

### GLASS-TOUCH BOTTOM CONTROLS

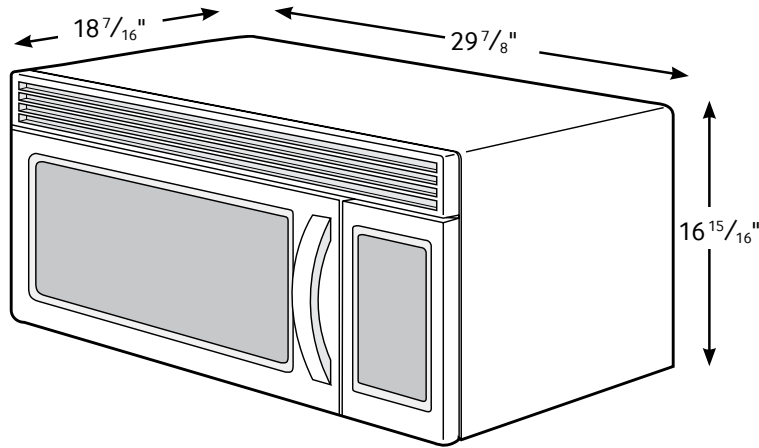
- Premium Glass-Touch Controls.
- Seamless design and easy access controls

**SAMSUNG**

# ME21K7010DS

2.1 cu. ft. OTR PowerGrill™ Microwave

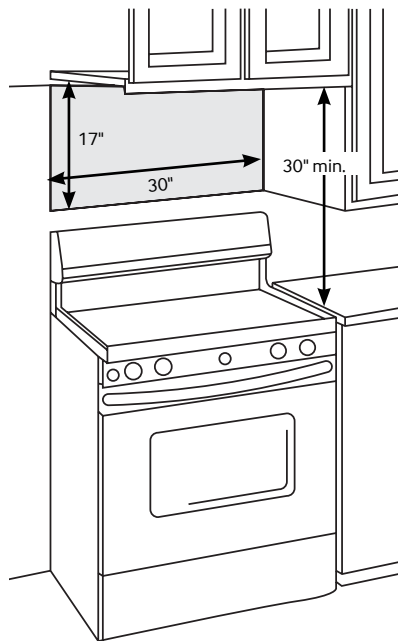
## Installing Your Microwave



This microwave oven is designed for adaptation to the following three types of ventilation:

- A. Outside Top Exhaust (Vertical Duct)
- B. Recirculating (Non-Vented Ductless)
- C. Outside Back Exhaust (Horizontal Duct)

- The space between the cabinets must be 30" wide and free of obstructions.
- This microwave oven is for installation over ranges up to 36" wide.
- The microwave must be level. Use a level to make sure the cabinet bottom is level. If the cabinets have a front overhang only, with no back or side frame, install the mounting plate down the same distance as the front overhang depth. This will keep the microwave level.



## Specifications

- Oven Cavity: 2.1 cu. ft.
- Power Output: 1000 W
  - Microwave: 900W
  - PowerGrill: 1500W
- Power Consumption: 1700 W/14.5 A
- Power Source: 120 V/60 Hz
- Control Method: Glass Touch Bottom Control
- Display: LED
- Cooking Control: 10 Power Levels Including Defrost
- Cooking Timer: Digital, up to 99 Minutes, 99 Seconds
- Microwave Distribution System: Turntable
- Glass Turntable Diameter: 14<sup>3</sup>/<sub>16</sub>"
- Vent Fan: 400 CFM
- Vent Fan Control: On/Off
- Cooktop Lighting: High/Low/Off

## Warranty

- One (1) Year All Parts and Labor
- Ten (10) Years Parts on Magnetron

## Product Dimensions & Weight (WxHxD)

Outside Dimensions:  
29<sup>7</sup>/<sub>8</sub>" x 16<sup>15</sup>/<sub>16</sub>" x 18<sup>7</sup>/<sub>16</sub>"

Interior Cavity Dimensions:  
22<sup>1</sup>/<sub>8</sub>" x 10<sup>13</sup>/<sub>16</sub>" x 14<sup>7</sup>/<sub>8</sub>"

Weight: 59.1 lbs. (Stainless Steel)  
58.4 lbs. (Black Stainless Steel)

## Shipping Dimensions & Weight (WxHxD)

Dimensions: 33<sup>3</sup>/<sub>8</sub>" x 20<sup>13</sup>/<sub>16</sub>" x 19<sup>3</sup>/<sub>8</sub>"

Weight: 69.4 lbs. (Stainless Steel)  
69.4 lbs. (Black Stainless Steel)

| Color                 | Model #     | UPC Code     |
|-----------------------|-------------|--------------|
| Stainless Steel       | ME21K7010DS | 887276130361 |
| Black Stainless Steel | ME21K7010DG | 887276147000 |

FOR EASIER INSTALLATION AND PERSONAL SAFETY, WE RECOMMEND THAT TWO PEOPLE INSTALL THIS MICROWAVE OVEN.

IMPORTANT: Do not grip or use handle during installation.

NOTE: If your cabinet is metal, use the nylon grommet around the power cord hole to prevent cutting of the cord.

NOTE: We recommend using filler blocks if the cabinet front hangs below the cabinet bottom shelf.

IMPORTANT: If filler blocks are not used, case damage may occur from overtightening screws.

NOTE: When mounting the microwave oven, thread power cord through hole in bottom of top cabinet.  
Do not pinch cord or lift oven by pulling cord.

**SAMSUNG**

Actual color may vary. Design, specifications, and color availability are subject to change without notice.  
Non-metric weights and measurements are approximate.

©2016 Samsung Electronics America, Inc. 85 Challenger Road, Ridgefield Park, NJ 07660. Tel: 800-SAMSUNG. samsung.com.  
Samsung is a registered trademark of Samsung Electronics Co. Ltd.