

ME21K7010DS

2.1 cu. ft. OTR PowerGrill™ Microwave

Features

- PowerGrill
- Ceramic Enamel Interior
- Glass-Touch Bottom Controls
- LED Cooktop Lights
- Sensor Cook
- Grilling Plate with Rack
- Simple Clean Filter
- 2.1 cu. ft. Capacity
- 4-SPEED/400 CFM Ventilation System
- Cooking Presets
- Eco Mode
- Turntable On/Off
- Hidden Vent

Convenience

- Kitchen Timer
- Clock (12hr/24hr) with Daylight Saving Time Adjustment
- Child Safety Lock
- Reminder End Signal
- Auto Night-Light



PowerGrill



Ceramic Enamel Interior

Available Colors



Stainless Steel
(shown)



Black Stainless Steel

Signature Features

POWERGRILL

- Goes beyond just heating to toast, crisp, and brown your favorite food.
- PowerGrill delivers 1500W of cooking power through its direct grilling element

CERAMIC ENAMEL INTERIOR

- Ceramic Enamel Interior is scratch resistant and easy to clean.
- The durable ceramic enamel surface has a porcelain-like coating.

GLASS-TOUCH BOTTOM CONTROLS

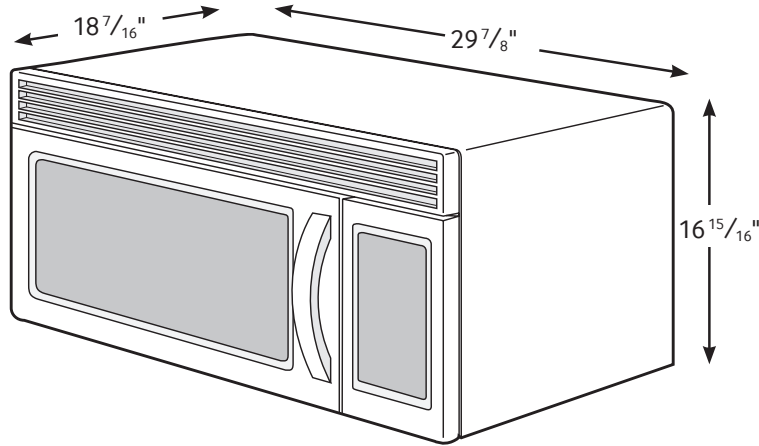
- Premium Glass-Touch Controls.
- Seamless design and easy access controls

SAMSUNG

ME21K7010DS

2.1 cu. ft. OTR PowerGrill™ Microwave

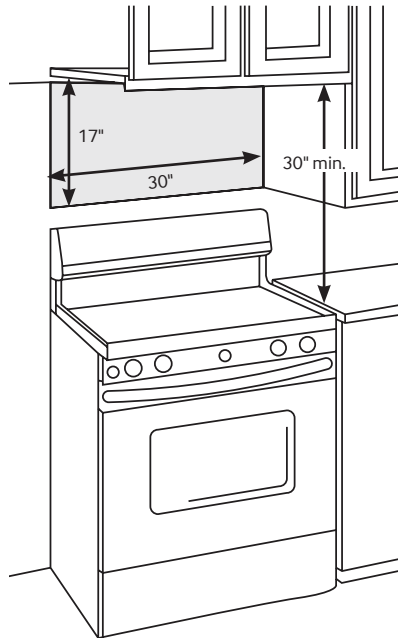
Installing Your Microwave



This microwave oven is designed for adaptation to the following three types of ventilation:

- A. Outside Top Exhaust (Vertical Duct)
- B. Recirculating (Non-Vented Ductless)
- C. Outside Back Exhaust (Horizontal Duct)

- The space between the cabinets must be 30" wide and free of obstructions.
- This microwave oven is for installation over ranges up to 36" wide.
- The microwave must be level. Use a level to make sure the cabinet bottom is level. If the cabinets have a front overhang only, with no back or side frame, install the mounting plate down the same distance as the front overhang depth. This will keep the microwave level.



Specifications

- Oven Cavity: 2.1 cu. ft.
- Power Output: 1000 W
 - Microwave: 900W
 - PowerGrill: 1500W
- Power Consumption: 1700 W/14.5 A
- Power Source: 120 V/60 Hz
- Control Method: Glass Touch Bottom Control
- Display: LED
- Cooking Control: 10 Power Levels Including Defrost
- Cooking Timer: Digital, up to 99 Minutes, 99 Seconds
- Microwave Distribution System: Turntable
- Glass Turntable Diameter: 14³/₁₆"
- Vent Fan: 400 CFM
- Vent Fan Control: On/Off
- Cooktop Lighting: High/Low/Off

Warranty

- One (1) Year All Parts and Labor
- Ten (10) Years Parts on Magnetron

Product Dimensions & Weight (WxHxD)

Outside Dimensions:
29⁷/₈" x 16¹⁵/₁₆" x 18⁷/₁₆"

Interior Cavity Dimensions:
22¹/₈" x 10¹³/₁₆" x 14⁷/₈"

Weight: 59.1 lbs.

Shipping Dimensions & Weight (WxHxD)

Dimensions: 33³/₈" x 20¹³/₁₆" x 19³/₈"

Weight: 69.4 lbs.

Color

Stainless Steel

Black Stainless Steel

Model

ME21K7010DS

ME21K7010DG

UPC Code

887276215303

887276147000

FOR EASIER INSTALLATION AND PERSONAL SAFETY, WE RECOMMEND THAT TWO PEOPLE INSTALL THIS MICROWAVE OVEN.

IMPORTANT: Do not grip or use handle during installation.

NOTE: If your cabinet is metal, use the nylon grommet around the power cord hole to prevent cutting of the cord.

NOTE: We recommend using filler blocks if the cabinet front hangs below the cabinet bottom shelf.

IMPORTANT: If filler blocks are not used, case damage may occur from overtightening screws.

NOTE: When mounting the microwave oven, thread power cord through hole in bottom of top cabinet.

Do not pinch cord or lift oven by pulling cord.

SAMSUNG

Actual color may vary. Design, specifications, and color availability are subject to change without notice. Non-metric weights and measurements are approximate.

©2017 Samsung Electronics America, Inc. 85 Challenger Road, Ridgefield Park, NJ 07660. Tel: 800-SAMSUNG. samsung.com. Samsung is a registered trademark of Samsung Electronics Co. Ltd.