

INSTALLATION INSTRUCTIONS

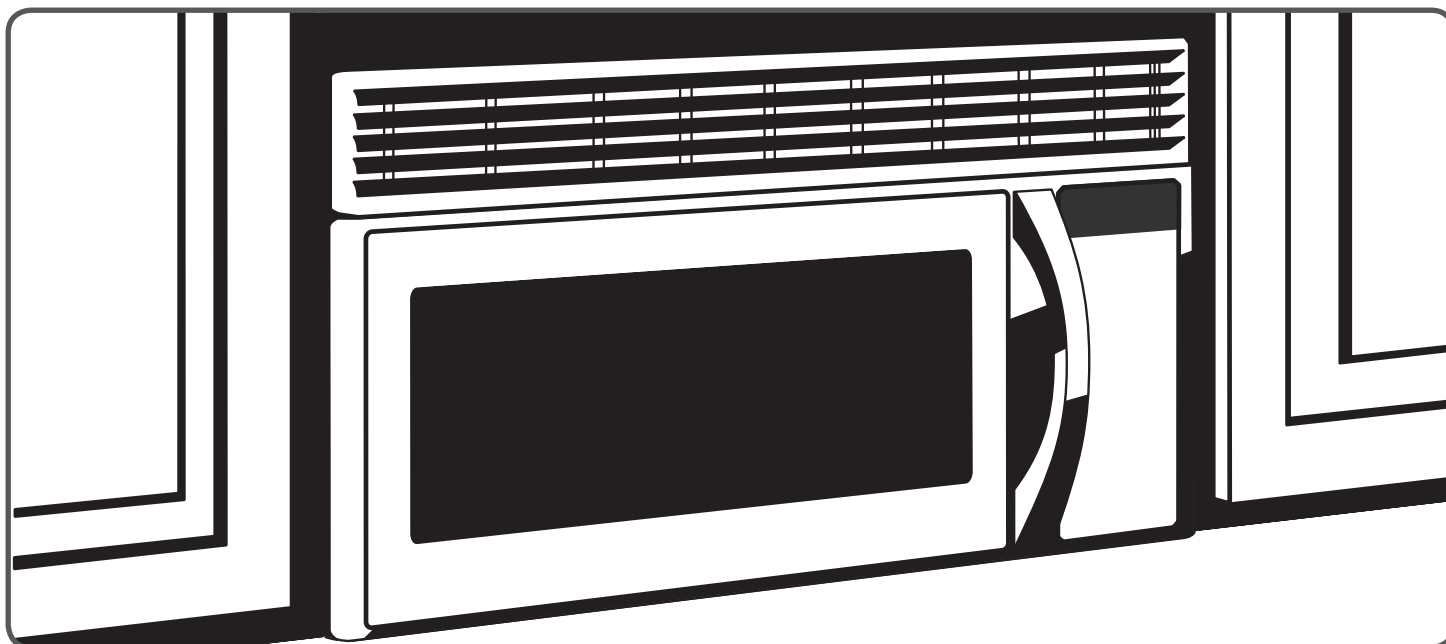
OVER THE RANGE MICROWAVE OVEN

BEFORE YOU BEGIN (Read these instructions completely and carefully.)

IMPORTANT Save these instructions for local inspector's use.

IMPORTANT Observe all governing codes and ordinances.

- **Note to Installer** - Be sure to leave these instructions with the Consumer.
- **Note to Consumer** - Keep these instructions for future reference.
- **Skill level** - Installation of this appliance requires basic mechanical and electrical skills.
- Proper installation is the responsibility of the installer.
- Product failure due to improper installation is not covered under the Warranty.



READ CAREFULLY. KEEP THESE INSTRUCTIONS.

Contents

General information

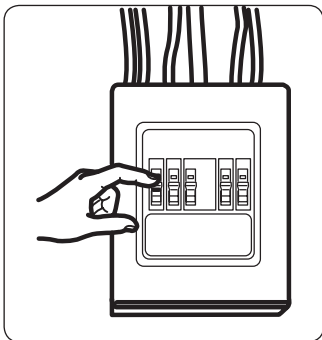
Important Safety Instructions	3
Electrical Requirements	3
Hood Exhaust	4
Damage - Shipment/installation	6
Parts Included	6
Tools You Will Need	7
Mounting Space	7

Step-by-step installation guide

Placement Of The Mounting Plate	8
Removing the Mounting Plate	8
Finding the Wall Studs	8
Determining Wall Plate Location	9
Aligning the Wall Plate	10
Installation Types	11
A. Outside Top Exhaust	12
Attach Mounting Plate to the Wall	12
Preparation of Top Cabinet	12
Installation Procedure For Exhaust Adaptor And Proper Damper Operation Check	13
Mount the Microwave Oven	13
Adjust the Exhaust Adaptor	14
Connecting Ductwork	14
B. Recirculating	15
Attach Mounting Plate to Wall	15
Preparation of Top Cabinet	15
Adapting Microwave Blower For Recirculation	16
Mount the Microwave Oven	17
Install the Charcoal Filter	18
C. Outside Back Exhaust	19
Preparing Rear Wall for Outside Back Exhaust	19
Attach Mounting Plate to Wall	20
Preparation of Top Cabinet	20
Adapting Microwave Blower For Outside Back Exhaust	20
Mount the Microwave Oven	22
Before You Use Your Microwave	23

IMPORTANT SAFETY INSTRUCTIONS

This product requires a three-prong grounded outlet. The installer must perform a ground continuity check on the power outlet box before beginning the installation to insure that the outlet box is properly grounded. If not properly grounded, or if the outlet box does not meet electrical requirements noted (under ELECTRICAL REQUIREMENTS), a qualified electrician should be employed to correct any deficiencies.



CAUTION: For personal safety, remove house fuse or open circuit breaker before beginning installation to avoid severe or fatal shock injury.

CAUTION: For personal safety, the mounting surface must be capable of supporting the cabinet load, in addition to the added weight of this 63–85 pound product, plus additional oven loads of up to 50 pounds or a total weight of 113–135 pounds.

CAUTION: For personal safety, this product cannot be installed in cabinet arrangements such as an island or a peninsula. It must be mounted to BOTH a top cabinet AND a wall.

NOTE: For easier installation and personal safety, it is recommended that two people install this product.

IMPORTANT – PLEASE READ CAREFULLY. FOR PERSONAL SAFETY, THIS APPLIANCE MUST BE PROPERLY GROUNDED TO AVOID SEVERE OR FATAL SHOCK.



The power cord of this appliance is equipped with a three-prong (grounding) plug which mates with a standard three-prong (grounding) wall receptacle to minimize the possibility of electric shock hazard from this appliance.

You should have the wall receptacle and circuit checked by a qualified electrician to make sure the receptacle is properly grounded.

Where a standard two-prong wall receptacle is encountered, it is very important to have it replaced with a properly grounded three-prong wall receptacle, installed by a qualified electrician.

DO NOT, UNDER ANY CIRCUMSTANCES, CUT, DEFORM OR REMOVE ANY OF THE PRONGS FROM THE POWER CORD. DO NOT USE WITH AN EXTENSION CORD.

ELECTRICAL REQUIREMENTS

Product rating is 120 volts AC, 60 Hertz, 13.5 amps and 1.5 kilowatts. This product must be connected to a supply circuit of the proper voltage and frequency. Wire size must conform to the requirements of the National Electrical Code or the prevailing local code for this kilowatt rating. The power supply cord and plug should be brought to a separate 20 ampere branch circuit single grounded outlet. The outlet box should be located in the cabinet above the microwave oven. The outlet box and supply circuit should be installed by a qualified electrician and conform to the National Electrical Code or the prevailing local code.

General information




HOOD EXHAUST

NOTE: Read these next two pages only if you plan to vent your exhaust to the outside.
If you plan to recirculate the air back into the room, proceed to page 11.

OUTSIDE TOP EXHAUST (EXAMPLE ONLY)

The following chart describes an example of one possible ductwork installation.



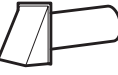


DUCT PIECES		EQUIVALENT LENGTH	x	NUMBER USED	=	EQUIVALENT LENGTH	
	Roof Cap	24 ft.	x	(1)	=	24 ft.	
	12 Ft. Straight Duct (6" Round)	12 ft.	x	(1)	=	12 ft.	
	Rectangular-to-Round Transition Adaptor*	5 ft.	x	(1)	=	5 ft.	
Equivalent lengths of duct pieces are based on actual tests and reflect requirements for good venting performance with any vent hood.					Total Length	=	41 ft.

* **IMPORTANT:** If a rectangular-to-round transition adaptor is used, the bottom corners of the damper will have to be cut to fit, using the tin snips, in order to allow free movement of the damper.

OUTSIDE BACK EXHAUST (EXAMPLE ONLY)

The following chart describes an example of one possible ductwork installation.



DUCT PIECES		EQUIVALENT LENGTH	x	NUMBER USED	=	EQUIVALENT LENGTH	
	Wall Cap	40 ft.	x	(1)	=	40 ft.	
	3 Ft. Straight Duct (3¼" x 10" Rectangular)	3 ft.	x	(1)	=	3 ft.	
	90° Elbow	10 ft.	x	(2)	=	20 ft.	
Equivalent lengths of duct pieces are based on actual tests and reflect requirements for good venting performance with any vent hood.					Total Length	=	63 ft.

NOTE: For back exhaust, care should be taken to align exhaust with space between studs, or wall should be prepared at the time it is constructed by leaving enough space between the wall studs to accommodate exhaust.

General information

NOTE: If you need to install ducts, note that the total duct length of 3¼" x 10" rectangular or 6" diameter round duct **should not exceed 140 equivalent feet.**

Outside ventilation requires a HOOD EXHAUST DUCT. Read the following carefully.

NOTE: It is important that venting be installed using the most direct route and with as few elbows as possible. This ensures clear venting of exhaust and helps prevent blockages. **Also, make sure dampers swing freely and nothing is blocking the ducts.**

Exhaust connection:


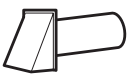


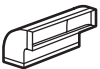
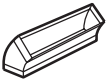


The hood exhaust has been designed to mate with a standard 3¼" x 10" rectangular duct.

If a round duct is required, a rectangular-to-round transition adaptor must be used. **Do not use less than a 6" diameter duct.**

Maximum duct length:

For satisfactory air movement, the total duct length of 3¼" x 10" rectangular or 6" diameter round duct should not exceed 140 equivalent feet.

Elbows, transitions, wall and roof caps, etc., present additional resistance to airflow and are equivalent to a section of straight duct which is longer than their actual physical size. When calculating the total duct length, add the equivalent lengths of all transitions and adaptors plus the length of all straight duct sections. The chart below shows you how to calculate total equivalent ductwork length using the approximate feet of equivalent length of some typical ducts.

DUCT PIECES		EQUIVALENT LENGTH	x	NUMBER USED	=	EQUIVALENT LENGTH	
	Rectangular-to-Round Transition Adaptor*	5 ft.	x	()	=	ft.	
	Wall Cap	40 ft.	x	()	=	ft.	
	90° Elbow	10 ft.	x	()	=	ft.	
	45° Elbow	5 ft.	x	()	=	ft.	
	90° Elbow	25 ft.	x	()	=	ft.	
	45° Elbow	5 ft.	x	()	=	ft.	
	Roof Cap	24 ft.	x	()	=	ft.	
	Straight Duct 6" Round or 3¼" x 10" Rectangular	1 ft.	x	()	=	ft.	
Total Ductwork						=	ft.



* **IMPORTANT:** If a rectangular-to-round transition adaptor is used, the bottom corners of the damper will have to be cut to fit, using the tin snips, in order to allow free movement of the damper.

Equivalent lengths of duct pieces are based on actual tests and reflect requirements for good venting performance with any vent hood.


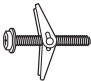

General information

DAMAGE - SHIPMENT/INSTALLATION

- **If the unit is damaged in shipment**, return the unit to the store in which it was bought for repair or replacement.
- **If the unit is damaged by the customer**, repair or replacement is the responsibility of the customer.
- **If the unit is damaged by the installer** (if other than the customer), repair or replacement must be made by arrangement between customer and installer.

PARTS INCLUDED



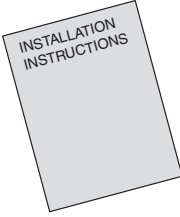
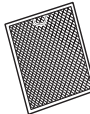
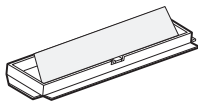
HARDWARE PACKET

	PART	QUANTITY
	Wood Screws (1/4" x 2")	1
	Toggle Bolts (and wing nuts) (3/16" x 3")	2
	Self-aligning Machine Screws (1/4"-28 x 3/4")	2

You will find the installation hardware contained in a packet with the unit. Check to make sure you have all these parts.

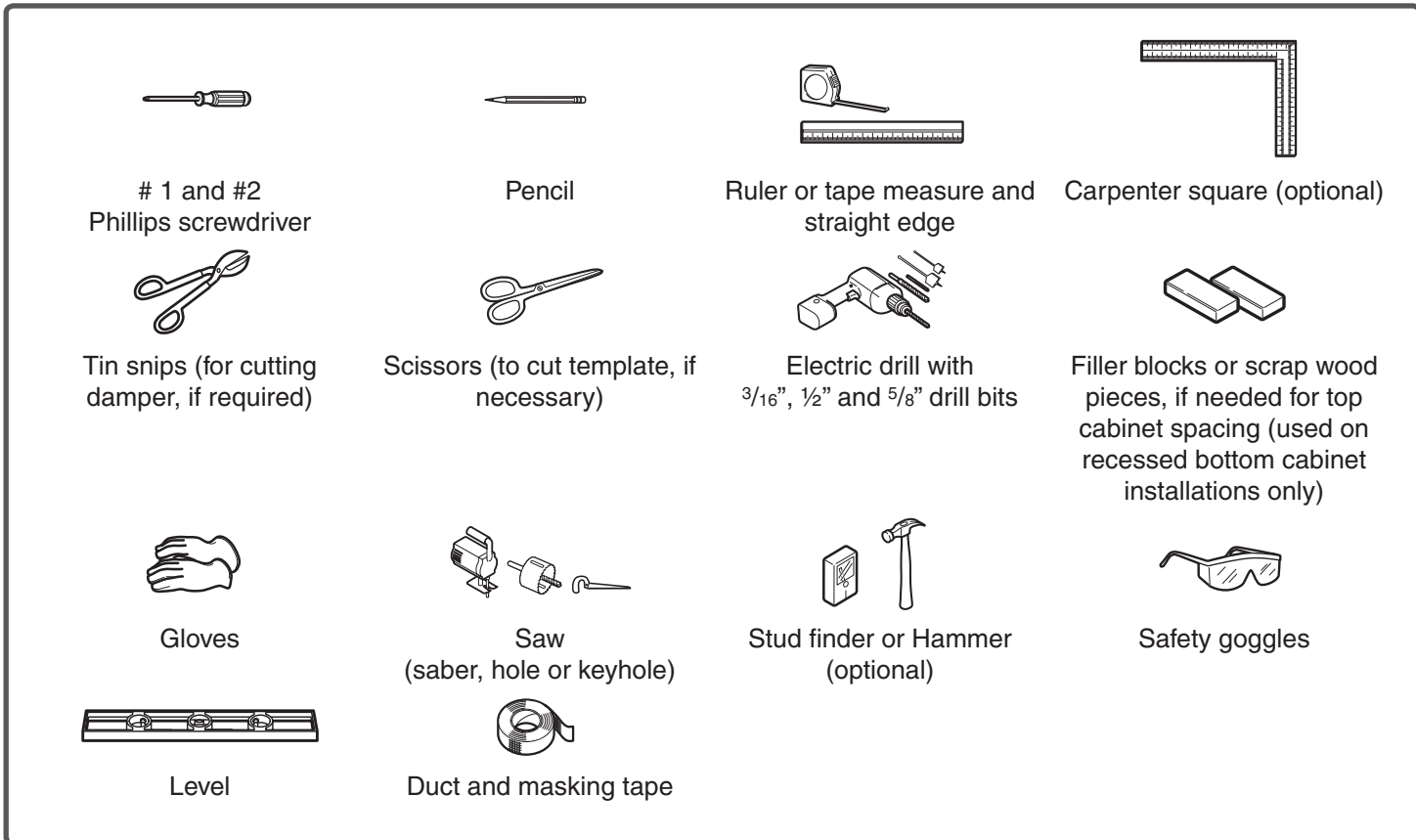
NOTE: Some extra parts are included.

ADDITIONAL PARTS

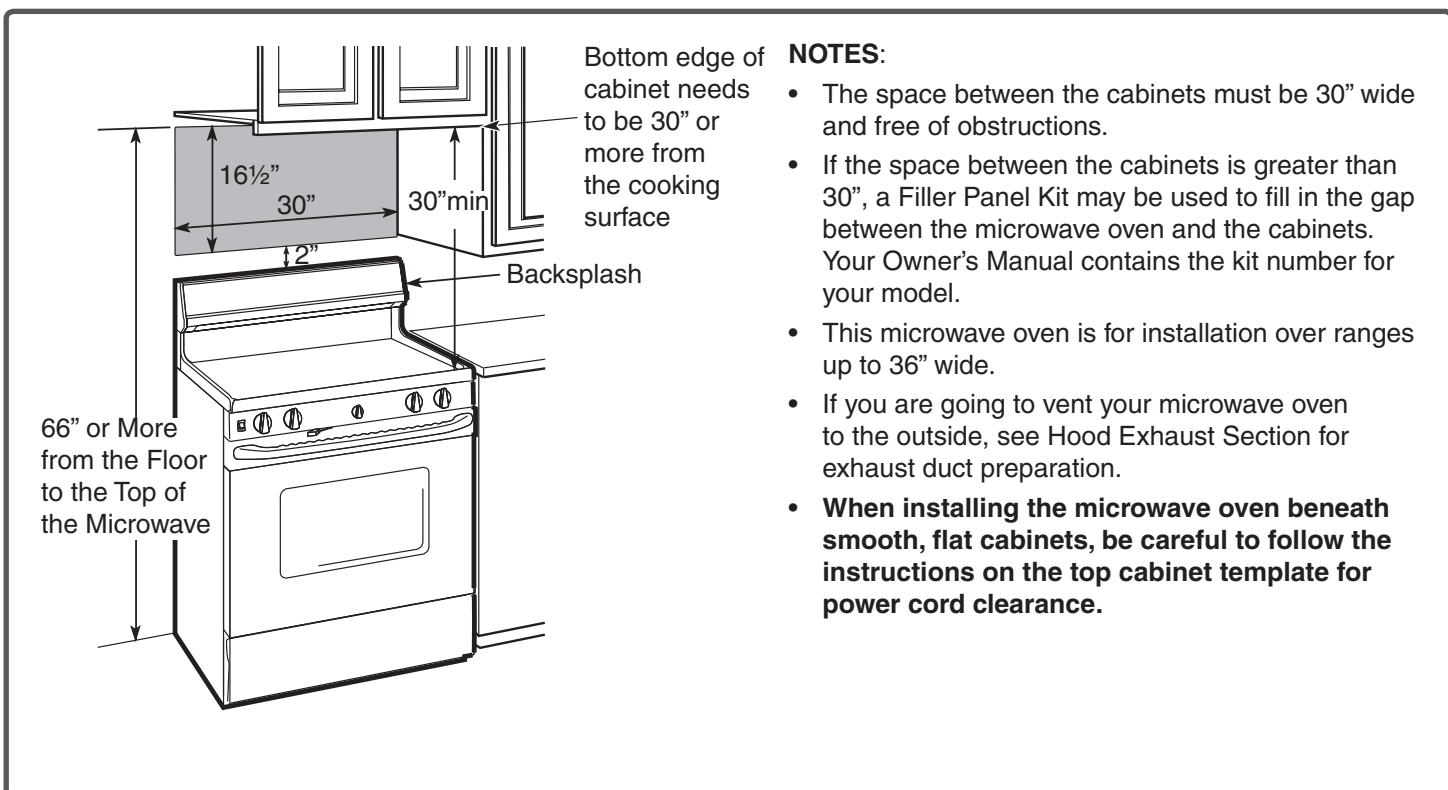
	PART	QUANTITY
	Top Cabinet Template	1
	Rear Wall Template	1
	Installation Instructions	1
	Separately Packed Grease Filter	2
	Exhaust adaptor	1

General information

TOOLS YOU WILL NEED



MOUNTING SPACE

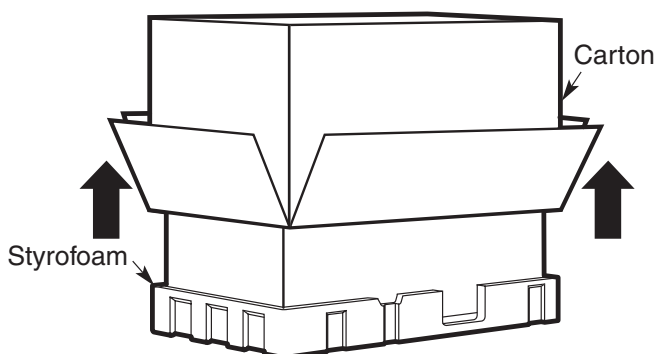


Step-by-step installation guide

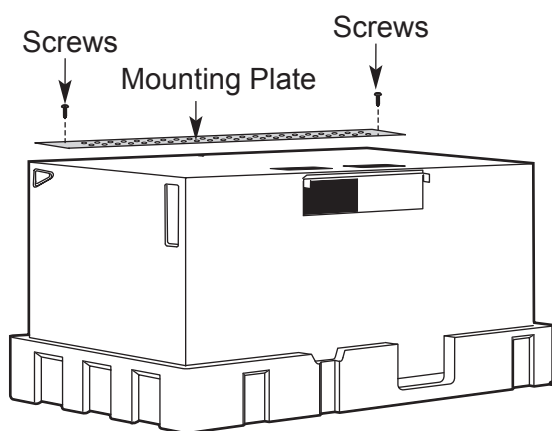
1. PLACEMENT OF THE MOUNTING PLATE

A. REMOVING THE MICROWAVE OVEN FROM THE CARTON/REMOVING THE MOUNTING PLATE

1. Remove the installation instructions, Exhaust adaptor, filters, glass tray and the small hardware bag. Do not remove the Styrofoam protecting the front of the oven.
2. Fold back all 4 carton flaps fully against carton sides. Then carefully roll the oven and carton over onto the top side. The oven should be resting in the Styrofoam.

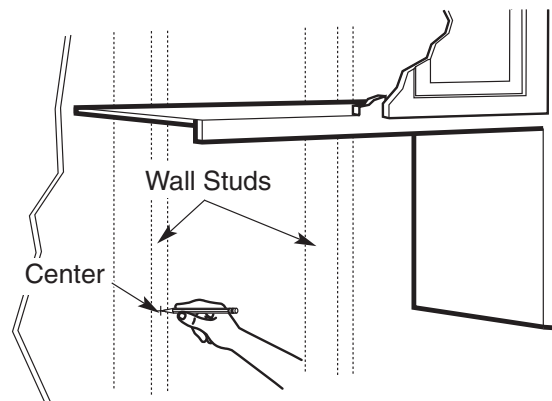


3. Pull the carton up and off the oven.
4. Remove and properly discard plastic bags.



5. Remove the 2 screws from the mounting plate. This plate will be used as the rear wall template and for mounting.
- NOTE:** You will have to reuse two screws in original location of outcase after removing mounting plate.

B. FINDING THE WALL STUDS



1. Find the studs, using one of the following methods:
 - A. Stud finder-a magnetic device which locates nails.

OR

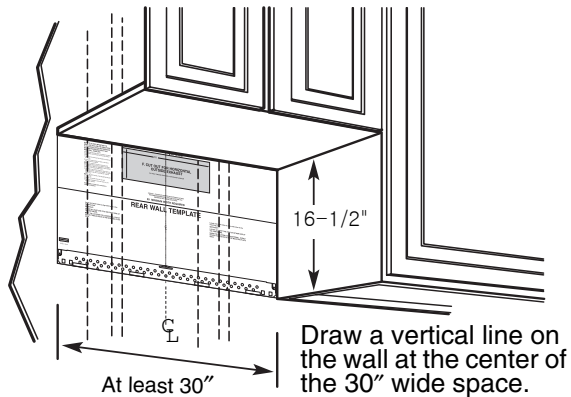
 - B. Use a hammer to tap lightly across the mounting surface to find a solid sound. This will indicate a stud location.
2. After locating the stud(s), find the center by probing the wall with a small nail to find the edges of the stud. Then place a mark halfway between the edges. The center of any adjacent studs should be 16" or 24" from this mark.
3. Draw a line down the center of the studs.

THE MICROWAVE MUST BE CONNECTED TO AT LEAST ONE WALL STUD.

Step-by-step installation guide

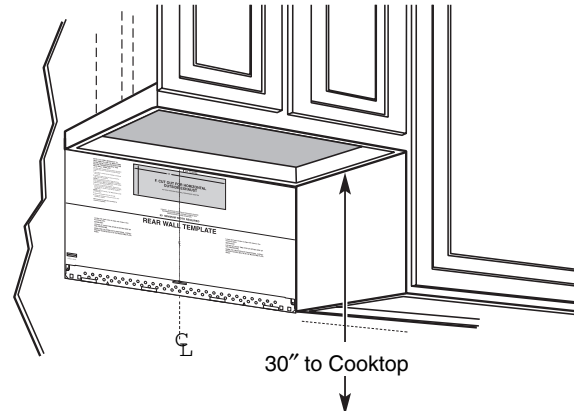
C. DETERMINING WALL PLATE LOCATION UNDER YOUR CABINET

Plate position – beneath flat bottom cabinet



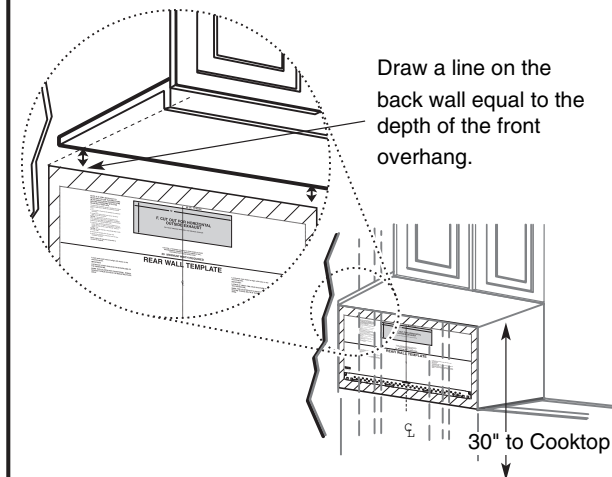
Draw a vertical line on the wall at the center of the 30" wide space. Tape the Rear Wall Template onto the wall matching the centerline and touching the bottom of the cabinet.

Plate position – beneath framed recessed cabinet bottom



Draw a vertical line on the wall at the center of the 30" space. Tape the Rear Wall Template onto the wall matching the centerline and touching the bottom cabinet frame.

Plate position – beneath recessed bottom cabinet with front overhang



Draw a line on the back wall equal to the depth of the front overhang.

Your cabinets may have decorative trim that interferes with the microwave installation. Remove the decorative trim to install the microwave properly and to make it level.

THE MICROWAVE MUST BE LEVEL.

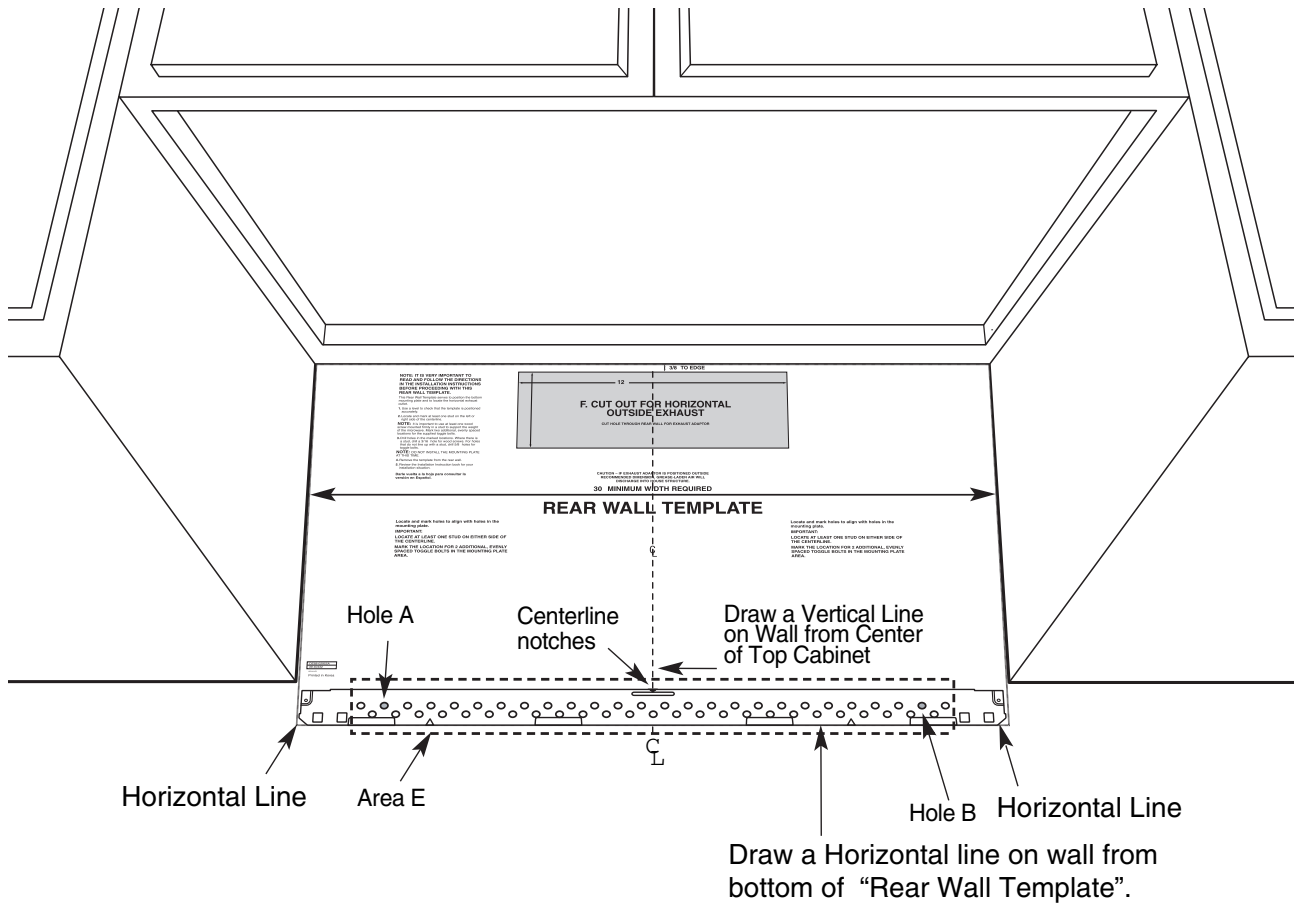
Use a level to make sure the cabinet bottom is level.

If the cabinets have a front overhang only, with no back or side frame, install the mounting plate down the same distance as the front overhang depth. This will keep the microwave level.

1. Measure the inside depth of the front overhang.
2. Draw a horizontal line on the back wall an equal distance below the cabinet bottom as the inside depth of the front overhang.
3. For this type of installation with front overhang only, align the mounting tabs with this horizontal line, not touching the cabinet bottom as described in Step D.

Step-by-step installation guide

D. ALIGNING THE WALL PLATE



CAUTION: Wear gloves to avoid cutting fingers on sharp edges.

1. Draw a Vertical line on the wall at the center of the 30" wide space.
2. Draw a Horizontal line on the wall at the bottom of "Rear Wall Template".
3. Drill 5/8" holes for toggle bolts on 3 locations (Hole A, Hole B, Hole C) but if the location of hole is same as that of stud, drill a 3/16" hole for wood screw. In other words, toggle bolt can not be used to the location of stud.

NOTE: DO NOT MOUNT THE PLATE AT THIS TIME.

NOTE: Holes A, B and C are inside area E. If none of A, B and C is in a stud, find a stud somewhere in area E and draw a forth circle to line up with the stud. It is important to use **at least one wood screw mounted firmly in a stud** to support the weight of the microwave. **Set the mounting plate aside.**

Step-by-step installation guide

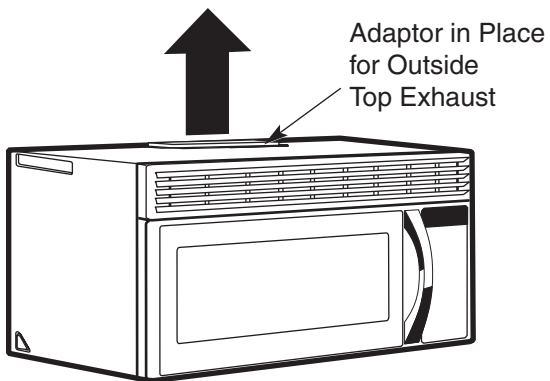
2. INSTALLATION TYPES (Choose A, B or C)

This microwave oven is designed for adaptation to the following three types of ventilation:

- A. **Outside Top Exhaust (Vertical Duct)**
- B. **Recirculating (Non-Vented Ductless)**
- C. **Outside Back Exhaust (Horizontal Duct)**

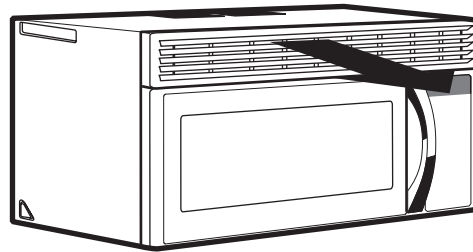
NOTE: This microwave is shipped assembled for Outside Top Exhaust (except for non-vented models). Select the type of ventilation required for your installation and proceed to that section.

A. OUTSIDE TOP EXHAUST (VERTICAL DUCT)



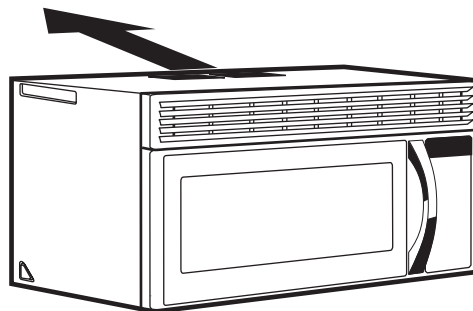
See page 12

B. RECIRCULATING (NON-VENTED DUCTLESS)



See page 15

C. OUTSIDE BACK EXHAUST (HORIZONTAL DUCT)



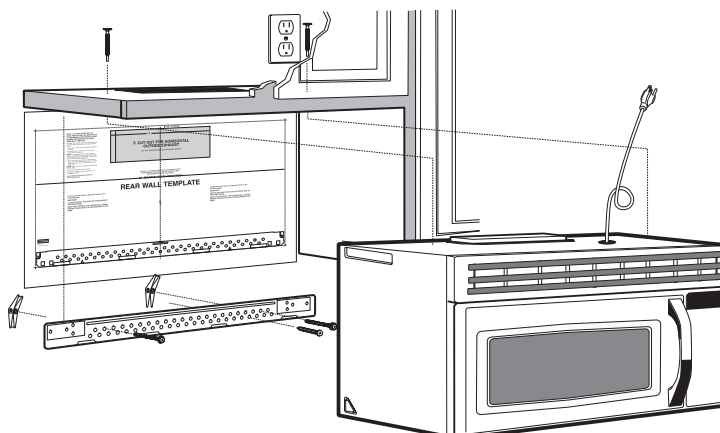
See page 19

Step-by-step installation guide

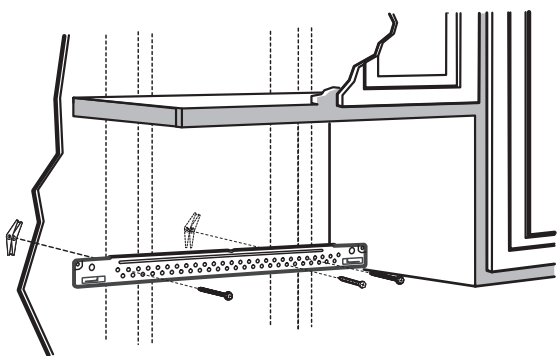
A. OUTSIDE TOP EXHAUST (Vertical Duct)

INSTALLATION OVERVIEW

- A1. Attach Mounting Plate to Wall
- A2. Prepare Top Cabinet
- A3. Mount the Microwave Oven
- A4. Adjust the Exhaust Adaptor
- A5. Connecting Ductwork



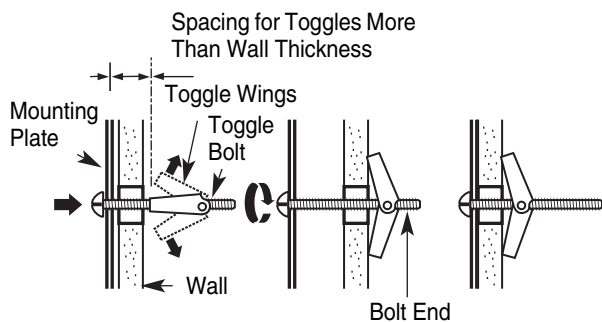
A1. ATTACH THE MOUNTING PLATE TO THE WALL



Attach the plate to the wall using toggle bolts. At least one wood screw must be used to attach the plate to a wall stud.

1. Remove the toggle wings from the bolts.
2. Insert the bolts into the mounting plate through the holes designated to go into drywall and reattach the toggle wings to $\frac{3}{4}$ " onto each bolt.

To use toggle bolts:



3. Place the mounting plate against the wall and insert the toggle wings into the holes in the wall to mount the plate.

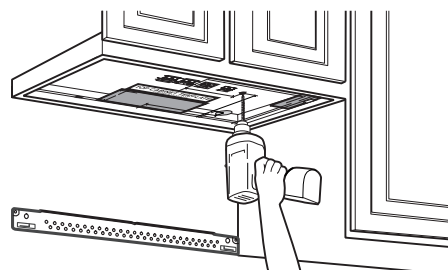
NOTE: Before tightening toggle bolts and wood screw, make sure the tabs on the mounting plate touch the bottom of the cabinet when pushed flush against the wall and that the plate is properly centered under the cabinet.

CAUTION: Be careful to avoid pinching fingers between the back of the mounting plate and the wall.

4. Tighten all bolts. Pull the plate away from the wall to help tighten the bolts.

A2. USE TOP CABINET TEMPLATE FOR PREPARATION OF TOP CABINET

You need to drill holes for the top support screws, a hole large enough for the power cord to fit through, and a cutout large enough for the exhaust adaptor.

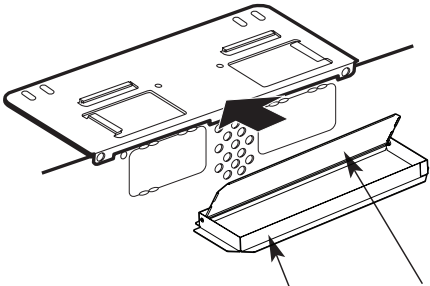


- Read the instructions on the TOP CABINET TEMPLATE.
- Tape it underneath the top cabinet.
- Drill the holes, following the instructions on the TOP CABINET TEMPLATE.

CAUTION: Wear safety goggles when drilling holes in the cabinet bottom.

Step-by-step installation guide

A3. INSTALLATION PROCEDURE FOR EXHAUST ADAPTOR AND PROPER DAMPER OPERATION CHECK

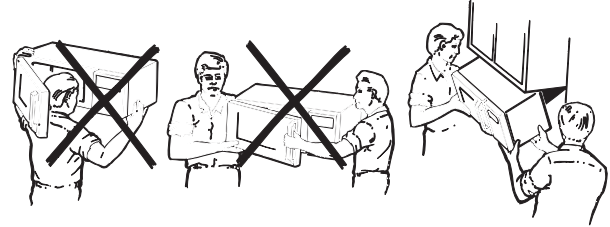


Exhaust Adaptor and Damper is shipped assembled to the filler-upper.

- Read the instructions on the TOP CABINET TEMPLATE.
- Tape it underneath the top cabinet.
- Drill the holes, following the instructions on the TOP CABINET TEMPLATE.

CAUTION: Wear safety goggles when drilling holes in the cabinet bottom.

A4. MOUNT THE MICROWAVE OVEN



FOR EASIER INSTALLATION AND PERSONAL SAFETY, WE RECOMMEND THAT TWO PEOPLE INSTALL THIS MICROWAVE OVEN.

IMPORTANT: Do not grip or use handle during installation.

NOTE: If your cabinet is metal, use the nylon grommet around the power cord hole to prevent cutting of the cord.

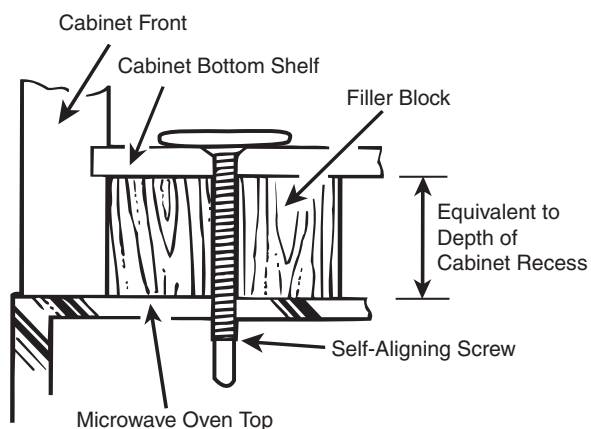
NOTE: We recommend using filler blocks if the cabinet front hangs below the cabinet bottom shelf.

IMPORTANT: If filler blocks are not used, case damage may occur from over tightening screws.

NOTE: When mounting the microwave oven, thread power cord through hole in bottom of top cabinet. Keep it tight throughout Steps 1-3. Do not pinch cord or lift oven by pulling cord.

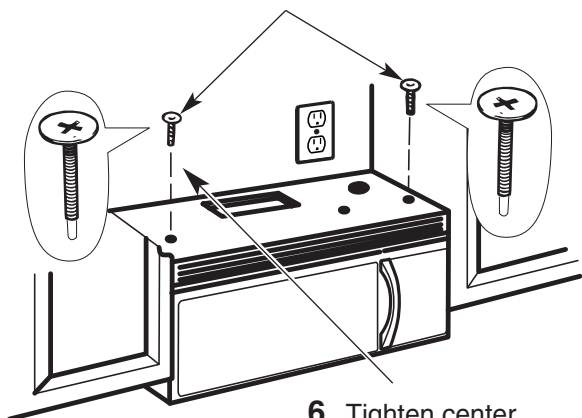
1. Lift microwave, tilt it forward, and hook slots at back bottom edge onto four lower tabs of mounting plate.
2. Rotate front of oven up against cabinet bottom
3. Insert a self-aligning screw through top center cabinet hole. Temporarily secure the oven by turning the screw at least **two full turns** after the threads have engaged. (It will be completely tightened later.) **Be sure to keep power cord tight. Be careful not to pinch the cord, especially when mounting flush to bottom of cabinet.**

Step-by-step installation guide



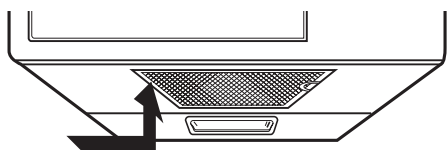
4. Attach the microwave oven to the top cabinet.

5. Insert 2 self-aligning screws through outer top cabinet holes. Turn two full turns on each screw.



6. Tighten center screw completely.

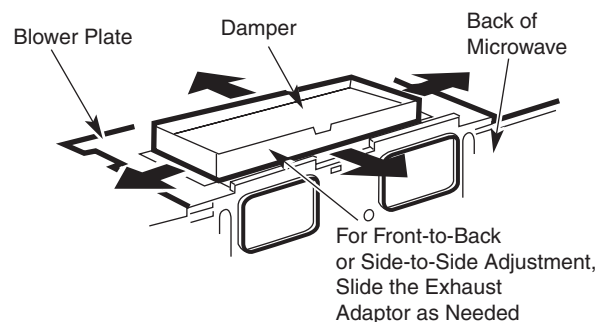
7. Tighten the outer two screws to the top of the microwave oven. (While tightening screws, hold the microwave oven in place against the wall and the top cabinet.)



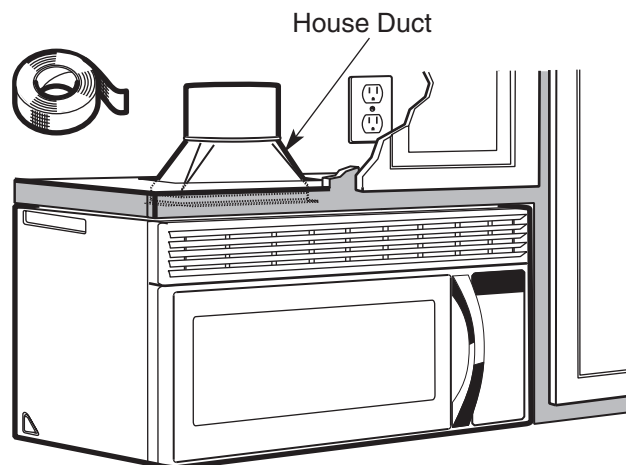
8. Install grease filter. See the Owner's Manual packed with the microwave.

A5. ADJUST THE EXHAUST ADAPTOR

Open the top cabinet and adjust the exhaust adaptor to connect to the house duct.



A6. CONNECTING DUCTWORK



1. Extend the house duct down to connect to the exhaust adaptor.

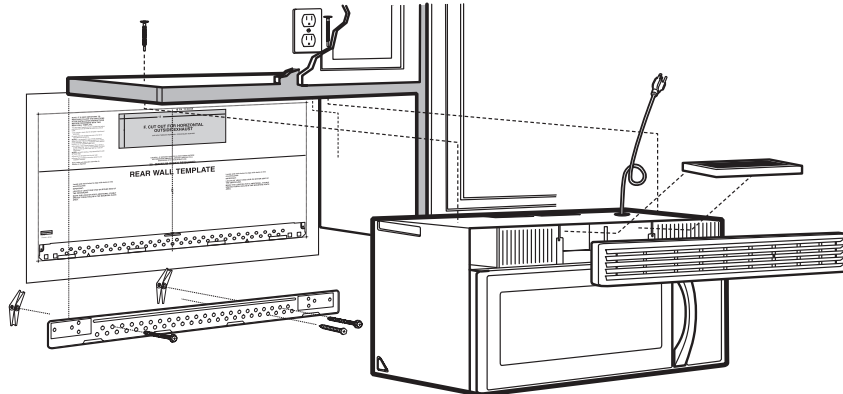
2. Seal exhaust duct joints using duct tape.

Step-by-step installation guide

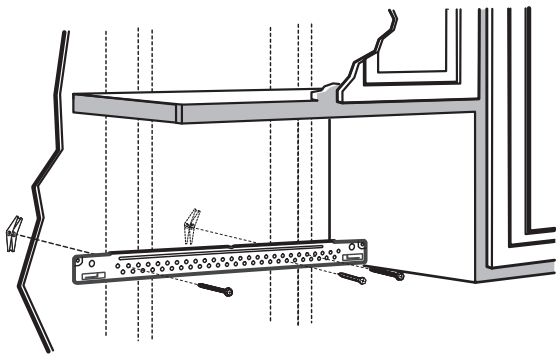
B. RECIRCULATING (Non-Vented Ductless)

INSTALLATION OVERVIEW

- B1.** Attach Mounting Plate to Wall
- B2.** Prepare Top Cabinet
- B3.** Adjust Blower
- B4.** Mount Microwave Oven
- B5.** Install Charcoal Filter



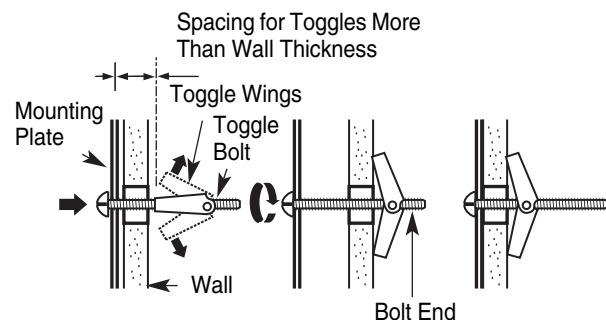
B1. ATTACH THE MOUNTING PLATE TO THE WALL



Attach the plate to the wall using toggle bolts. At least one wood screw must be used to attach the plate to a wall stud.

1. Remove the toggle wings from the bolts.
2. Insert the bolts into the mounting plate through the holes designated to go into drywall and reattach the toggle wings to $\frac{3}{4}$ " onto each bolt.

To use toggle bolts:



3. Place the mounting plate against the wall and insert the toggle wings into the holes in the wall to mount the plate.

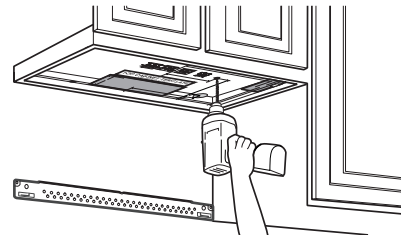
NOTE: Before tightening toggle bolts and wood screw, make sure to coincide bottom line of the Mounting plate with Horizontal line of "Rear wall Template" and then the Mounting plate is properly centered under the cabinet.

CAUTION: Be careful to avoid pinching fingers between the back of the mounting plate and the wall.

4. Tighten all bolts. Pull the plate away from the wall to help tighten the bolts.

B2. USE TOP CABINET TEMPLATE FOR PREPARATION OF TOP CABINET

You need to drill holes for the top support screws and a hole large enough for the power cord to fit through.

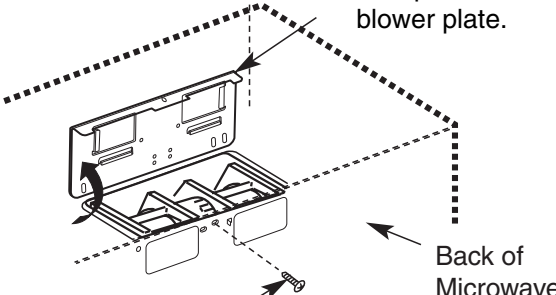


- Read the instructions on the TOP CABINET TEMPLATE.
- Tape it underneath the top cabinet.
- Drill the holes, following the instructions on the TOP CABINET TEMPLATE.

CAUTION: Wear safety goggles when drilling holes in the cabinet bottom.

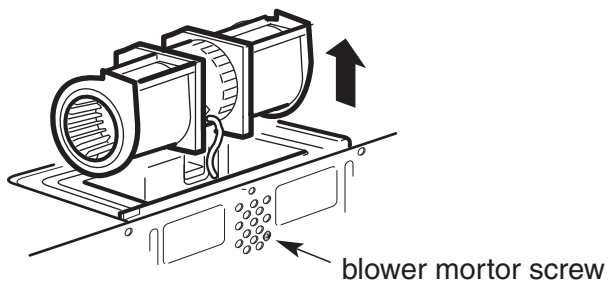
Step-by-step installation guide

B3. ADAPTING MICROWAVE BLOWER FOR RECIRCULATION

2. Lift up the blower plate.
- 
1. Remove and save screw that holds blower plate to microwave.

NOTE: The exhaust adaptor with damper is not needed for recirculating models. You may want to save them for possible future use.

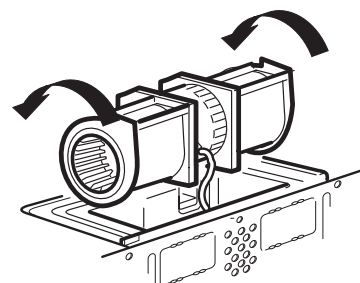
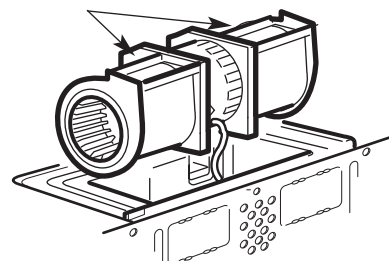
3. Carefully pull out the blower unit. The wires will extend far enough to allow you to adjust the blower unit.



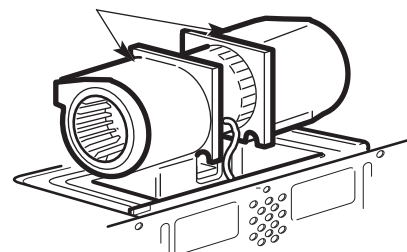
CAUTION: Do not touch blade of blower for preventing crack and break. Hold outer case when the blower pull out or back into.

4. Roll the blower unit 90° so that fan blade openings are facing toward the front of the microwave.

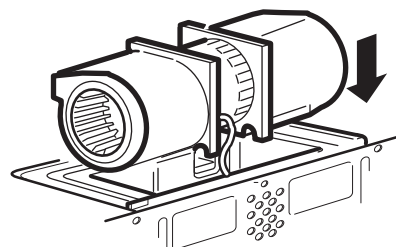
BEFORE: Fan Blade Openings Facing UP



AFTER: Fan Blade Openings Facing Forward



5. Place the blower unit back into the opening.

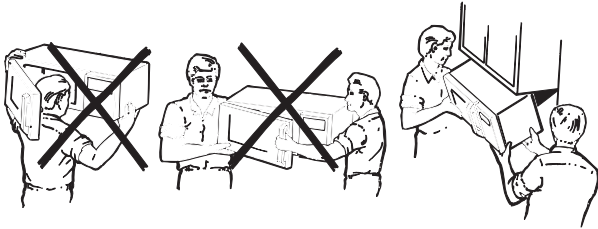


CAUTION: Do not pull or stretch the blower unit wiring. Make sure the wires are not pinched.

6. Secure blower unit to microwave with the screw.

Step-by-step installation guide

B4. MOUNT THE MICROWAVE OVEN



FOR EASIER INSTALLATION AND PERSONAL SAFETY, WE RECOMMEND THAT TWO PEOPLE INSTALL THIS MICROWAVE OVEN.

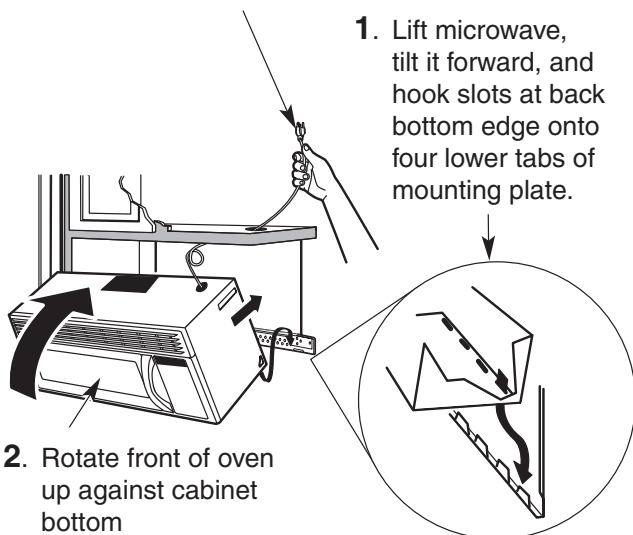
IMPORTANT: Do not grip or use handle during installation.

NOTE: If your cabinet is metal, use the nylon grommet around the power cord hole to prevent cutting of the cord.

NOTE: We recommend using filler blocks if the cabinet front hangs below the cabinet bottom shelf.

IMPORTANT: If filler blocks are not used, case damage may occur from over tightening screws.

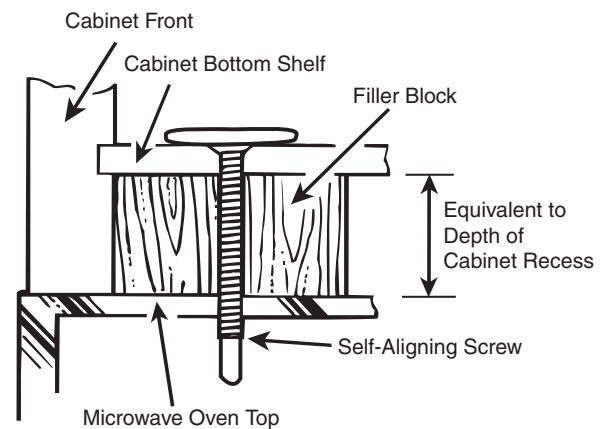
NOTE: When mounting the microwave oven, thread power cord through hole in bottom of top cabinet. Keep it tight throughout Steps 1-3. Do not pinch cord or lift oven by pulling cord.



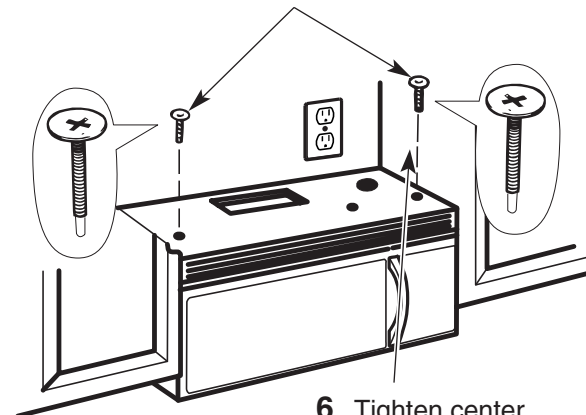
1. Lift microwave, tilt it forward, and hook slots at back bottom edge onto four lower tabs of mounting plate.

2. Rotate front of oven up against cabinet bottom

3. Insert a self-aligning screw through top center cabinet hole. Temporarily secure the oven by turning the screw at least **two full turns** after the threads have engaged. (It will be completely tightened later.) **Be sure to keep power cord tight. Be careful not to pinch the cord, especially when mounting flush to bottom of cabinet.**

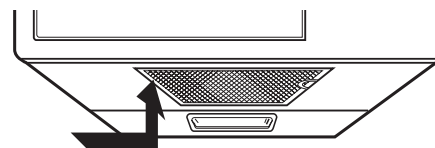


4. Attach the microwave oven to the top cabinet.
5. Insert 2 self-aligning screws through outer top cabinet holes. Turn two full turns on each screw.



6. Tighten center screw completely.

7. Tighten the outer two screws to the top of the microwave oven. (While tightening screws, hold the microwave oven in place against the wall and the top cabinet.)

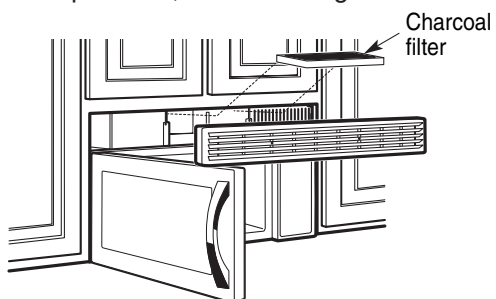


8. Install grease filter. See the Owner's Manual packed with the microwave.

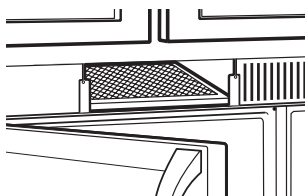
Step-by-step installation guide

B5. INSTALLING THE CHARCOAL FILTER

1. Remove screws on top of grille using a #1 Phillips screwdriver.
 2. Open the door.
 3. Remove the grille.
- After push left, Pull the straight off.



4. Install the charcoal filter. When properly installed, the wire mesh of the filter should be visible from the front.
5. Reinstall the grille and the screws.
6. Close the door.



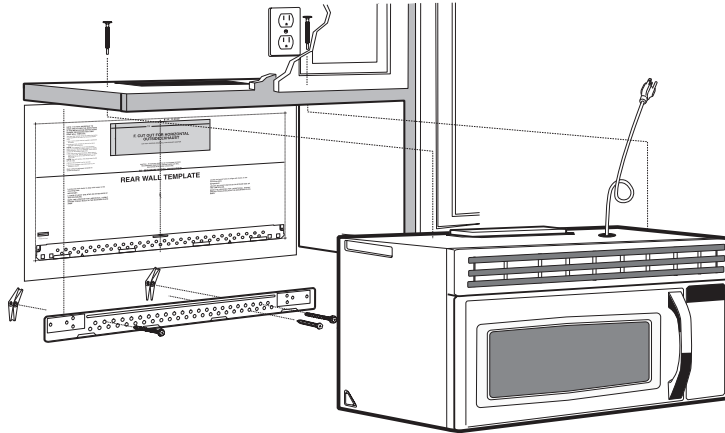
Insert mesh-side up

Step-by-step installation guide

C. OUTSIDE BACK EXHAUST (Horizontal Duct)

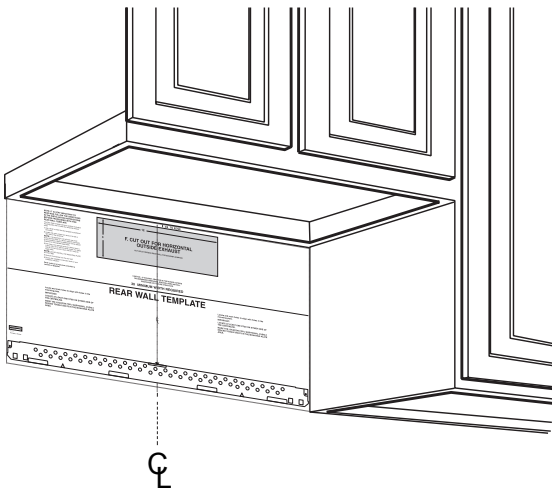
INSTALLATION OVERVIEW

- C1. Prepare Rear Wall
- C2. Attach Mounting Plate to Wall
- C3. Prepare Top Cabinet
- C4. Adjust Blower
- C5. Mount the Microwave Oven



C1. PREPARING THE REAR WALL FOR OUTSIDE BACK EXHAUST

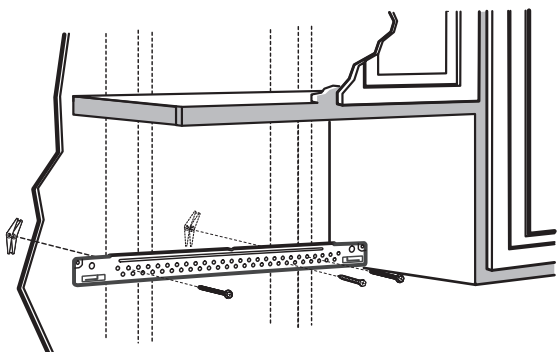
You need to cut an opening in the rear wall for outside exhaust.



- Read the instructions on the REAR WALL TEMPLATE.
- Tape it to the rear wall.
- Cut the opening, following the instructions of the REAR WALL TEMPLATE.

Step-by-step installation guide

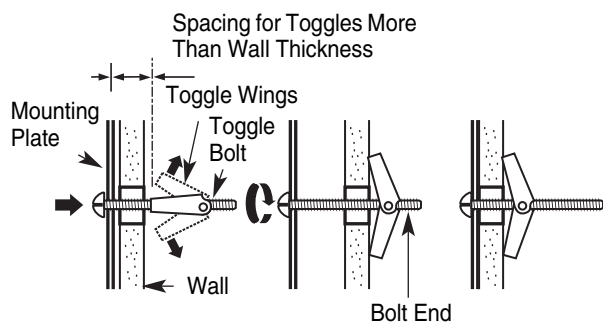
C2. ATTACH THE MOUNTING PLATE TO THE WALL



Attach the plate to the wall using toggle bolts. At least one wood screw must be used to attach the plate to a wall stud.

1. Remove the toggle wings from the bolts.
2. Insert the bolts into the mounting plate through the holes designated to go into drywall and reattach the toggle wings to $\frac{3}{4}$ " onto each bolt.

To use toggle bolts:



3. Place the mounting plate against the wall and insert the toggle wings into the holes in the wall to mount the plate.

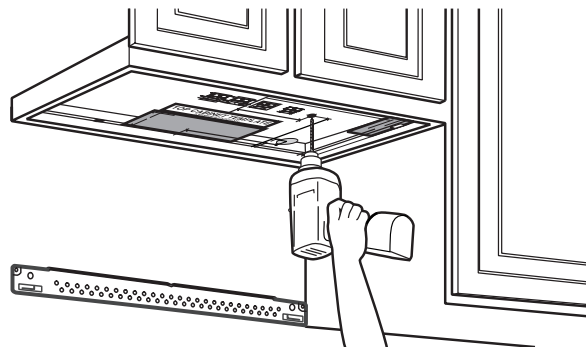
NOTE: Before tightening toggle bolts and wood screw, make sure the tabs on the mounting plate touch the bottom of the cabinet when pushed flush against the wall and that the plate is properly centered under the cabinet.

CAUTION: Be careful to avoid pinching fingers between the back of the mounting plate and the wall.

4. Tighten all bolts. Pull the plate away from the wall to help tighten the bolts.

C3. USE TOP CABINET TEMPLATE FOR PREPARATION OF TOP CABINET

You need to drill holes for the top support screws, a hole large enough for the power cord to fit through, and a cutout large enough for the exhaust adaptor.



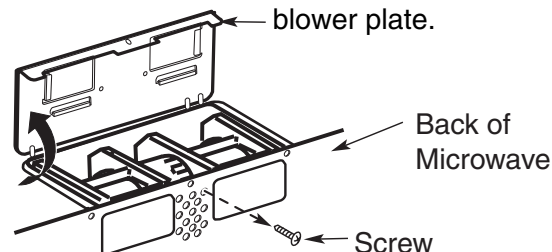
- Read the instructions on the TOP CABINET TEMPLATE.
- Tape it underneath the top cabinet.
- Drill the holes, following the instructions on the TOP CABINET TEMPLATE.

CAUTION: Wear safety goggles when drilling holes in the cabinet bottom.

C4. ADAPTING MICROWAVE BLOWER FOR OUTSIDE BACK EXHAUST

1. Remove and save screws that hold the blower plate and the blower motor to the microwave.

2. Lift up the blower plate.

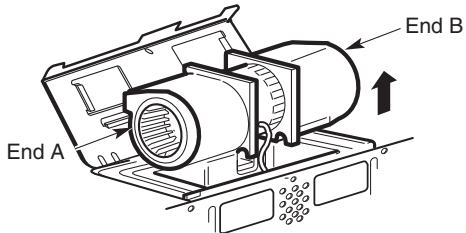


Step-by-step installation guide

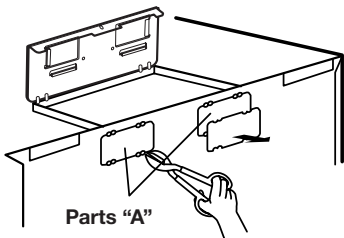
C4. ADAPTING MICROWAVE BLOWER FOR OUTSIDE BACK EXHAUST (cont.)

- Carefully pull out the blower unit. The wires will extend far enough to allow you to adjust the blower unit.

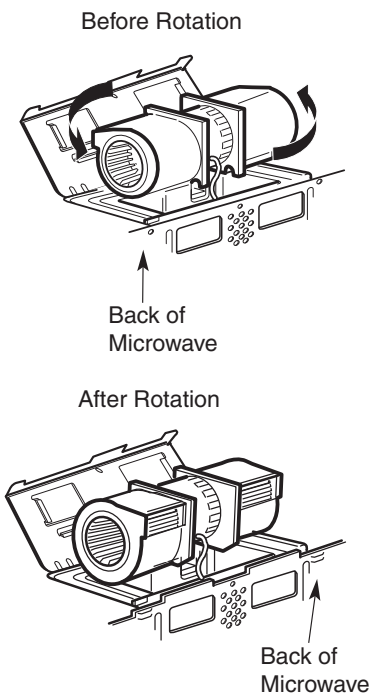
BEFORE: Fan Blade
Openings Facing Forward



- Remove "Parts "A" with tin snips or pliers. (On Some Model)

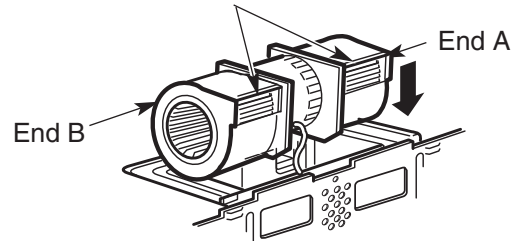


- Rotate blower unit counterclockwise 180°.



- Place the blower unit back into the opening.

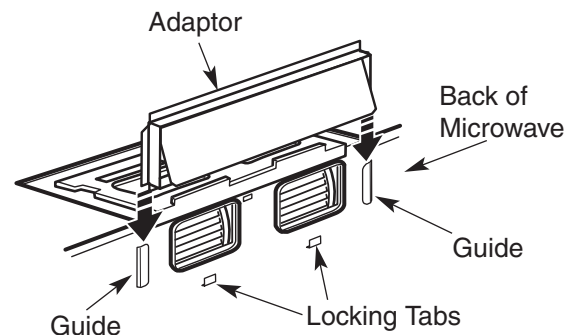
AFTER: Fan Blade
Openings Facing Back



CAUTION: Do not pull or stretch the blower unit wiring. Make sure the wires are not pinched.

NOTE: The blower unit exhaust openings should match exhaust openings on rear of microwave oven.

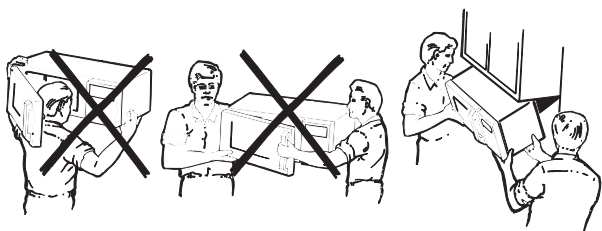
- Replace the blower plate in the same position as before with the screw.
- Attach the exhaust adaptor to the rear of the oven by sliding it into the guides at the top center of the back of the oven.



Push in securely until it is in the lower locking tabs. Take care to assure that the damper hinge is installed so that it is at the top and that the damper swings freely.

Step-by-step installation guide

C5. MOUNT THE MICROWAVE OVEN



FOR EASIER INSTALLATION AND PERSONAL SAFETY, WE RECOMMEND THAT TWO PEOPLE INSTALL THIS MICROWAVE OVEN.

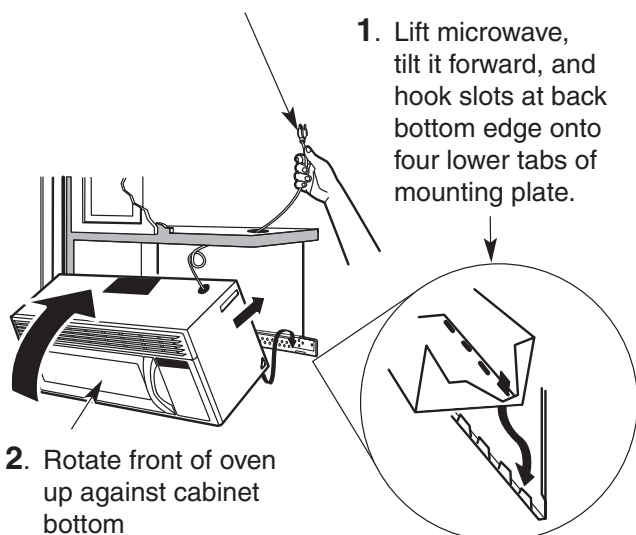
IMPORTANT: Do not grip or use handle during installation.

NOTE: If your cabinet is metal, use the nylon grommet around the power cord hole to prevent cutting of the cord.

NOTE: We recommend using filler blocks if the cabinet front hangs below the cabinet bottom shelf.

IMPORTANT: If filler blocks are not used, case damage may occur from over tightening screws.

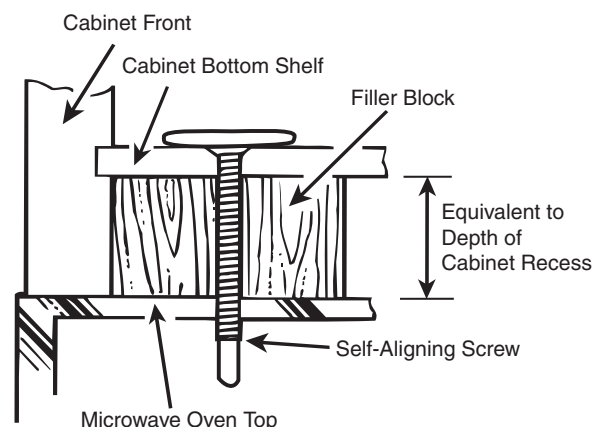
NOTE: When mounting the microwave oven, thread power cord through hole in bottom of top cabinet. Keep it tight throughout Steps 1-3. Do not pinch cord or lift oven by pulling cord.



1. Lift microwave, tilt it forward, and hook slots at back bottom edge onto four lower tabs of mounting plate.

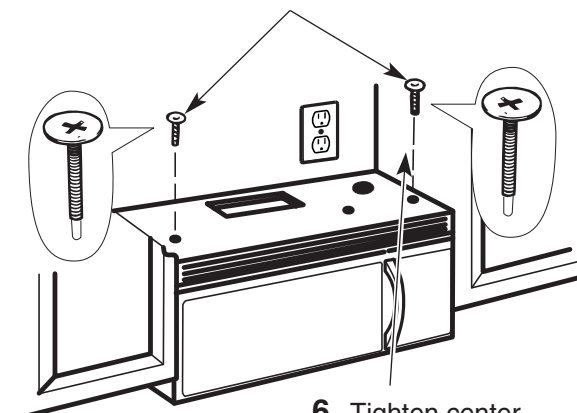
2. Rotate front of oven up against cabinet bottom

3. Insert a self-aligning screw through top center cabinet hole. Temporarily secure the oven by turning the screw at least **two full turns** after the threads have engaged. (It will be completely tightened later.) **Be sure to keep power cord tight. Be careful not to pinch the cord, especially when mounting flush to bottom of cabinet.**



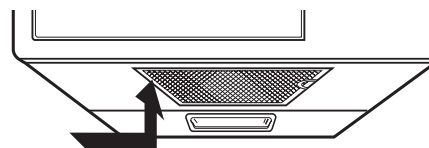
4. Attach the microwave oven to the top cabinet.

5. Insert 2 self-aligning screws through outer top cabinet holes. Turn two full turns on each screw.



6. Tighten center screw completely.

7. Tighten the outer two screws to the top of the microwave oven. (While tightening screws, hold the microwave oven in place against the wall and the top cabinet.)



8. Install grease filter. See the Owner's Manual packed with the microwave.

Before You Use Your Microwave

1. Make sure the microwave oven has been installed according to instructions.



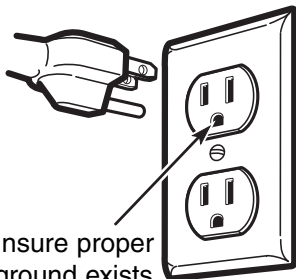
-
2. Remove all packing material from the microwave oven.
-

3. Install turntable and ring in cavity.
-

4. Replace house fuse or turn breaker back on.

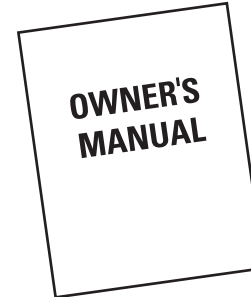


-
5. Plug power cord into a dedicated 20 amp electrical outlet.



Insure proper ground exists before use

6. Read the Owner's Manual.



-
7. KEEP INSTALLATION INSTRUCTIONS FOR THE LOCAL INSPECTOR'S USE.





Code No.:DE68-03587B-02
Printed in Malaysia



CONSIGNES D'INSTALLATION

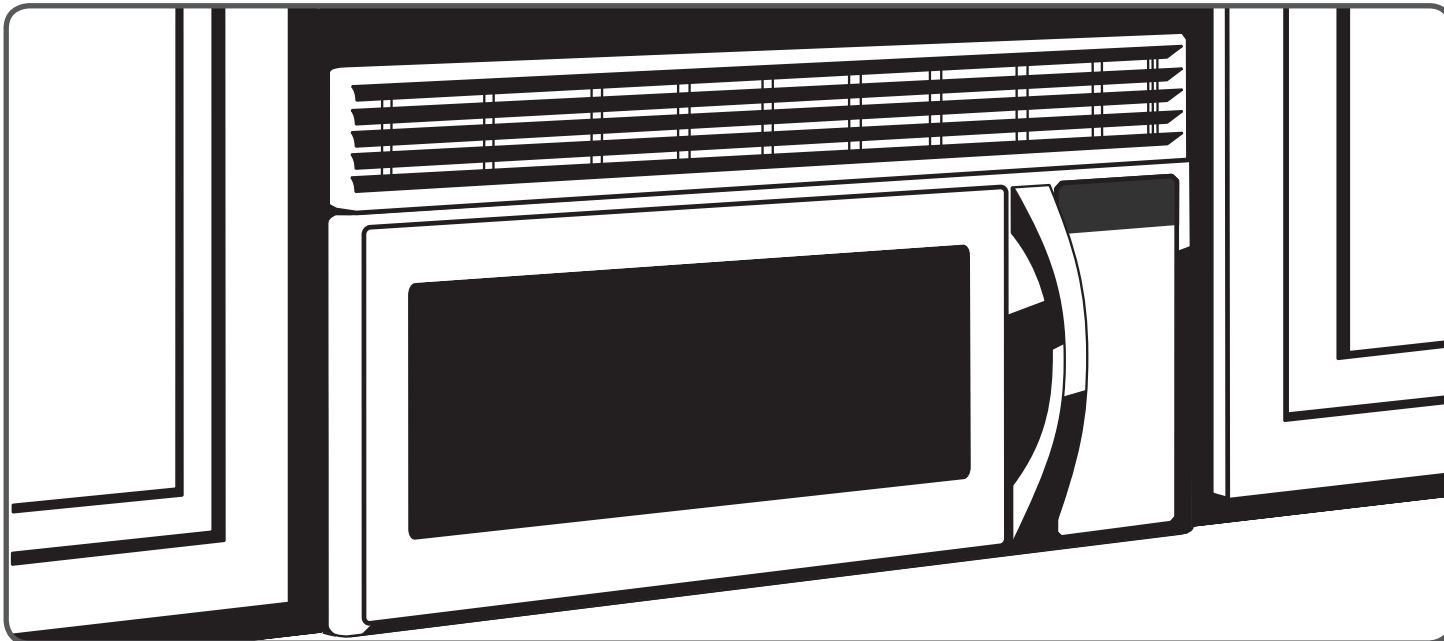
FOUR MICRO-ONDES À HOTTE INTÉGRÉE

AVANT DE COMMENCER (Lisez attentivement l'intégralité des consignes.)

IMPORTANT Conservez précieusement ce manuel en vue du passage éventuel d'un technicien en cas de réparation.

IMPORTANT Respectez tous les codes et règlements en vigueur.

- **Remarque destinée à l'installateur** - N'oubliez pas de laisser le manuel à l'utilisateur.
- **Remarque destinée à l'utilisateur** - Conservez précieusement ces informations afin de pouvoir vous y reporter ultérieurement.
- **Niveau de compétences** - L'installation de cet appareil nécessite des connaissances mécaniques et électriques de base.
- Il incombe à l'installateur de poser correctement l'appareil.
- Tout dysfonctionnement imputable à une mauvaise installation n'est pas couvert par la garantie.



LISEZ ATTENTIVEMENT CE MANUEL. CONSERVEZ-LE PRÉCIEUSEMENT.

Sommaire

Informations générales

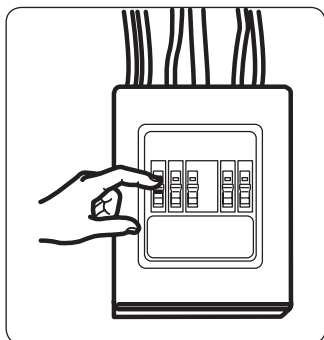
Consignes de sécurité importantes . . .	3
Exigences en matière de raccordement électrique	3
Système d'évacuation de la hotte	4
Domages - Expédition/installation . . .	6
Pièces incluses avec le produit	6
Outils nécessaires	7
Espace de montage	7

Guide d'installation étape par étape

Emplacement de la plaque de fixation .	8
Retrait de la plaque de fixation	8
Détection des goujons	8
Détermination de l'emplacement de la plaque murale	9
Alignement de la plaque murale	10
Types d'installation	11
A. Évacuation par le haut	12
Fixation de la plaque murale	12
Préparation du meuble haut.	12
Procédure d'installation de l'adaptateur du système d'évacuation et contrôle de fonctionnement du registre	13
Montage du four micro-ondes	13
Réglage de l'adaptateur du système d'évacuation.	14
Connexion des conduits.	14
B. Circulation de l'air en circuit fermé.	15
Fixation de la plaque murale	15
Préparation du meuble haut.	15
Adaptation du ventilateur du four micro-ondes à la circulation en circuit fermé . . .	16
Montage du four micro-ondes	17
Installation du filtre à charbon	18
C. Évacuation par l'arrière	19
Préparation du mur du fond pour le système d'évacuation par l'arrière	19
Fixation de la plaque murale	20
Préparation du meuble haut.	20
Adaptation du ventilateur du four micro-ondes au système d'évacuation par l'arrière	20
Montage du four micro-ondes	22
Avant d'utiliser votre four micro-ondes	23

IMPORTANTES CONSIGNES DE SECURITE

Ce produit doit être branché à une prise secteur à fiche tripolaire mise à la terre. L'installateur doit vérifier la continuité de la mise à la terre au niveau de la prise murale avant de commencer l'installation afin de s'assurer que la prise est correctement mise à la terre. Si tel n'est pas le cas, ou si la prise ne respecte pas les normes électriques indiquées (voir NORMES ELECTRIQUES), vous devez contacter un électricien agréé pour mettre la prise aux normes.



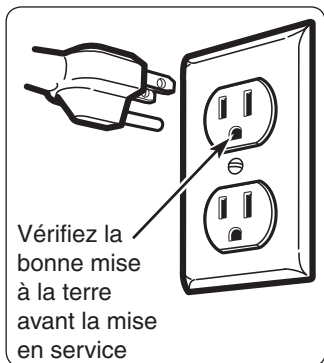
ATTENTION : Pour votre sécurité, retirez les fusibles ou arrêtez le disjoncteur avant de commencer l'installation pour éviter tout choc électrique grave.

ATTENTION : Pour votre sécurité, la surface de montage doit être capable de supporter le poids de l'armoire, ainsi que celui du produit (63-85 livres) et de son futur contenu (jusqu'à 50 livres), ce qui représente un poids supplémentaire total de 113-135 livres.

ATTENTION : Pour votre sécurité, ce produit ne doit pas être installé dans certaines configuration de cuisine comme un îlot ou un bras de cuisine. Il doit être fixé à une armoire supérieure ET à un mur.

REMARQUE : Pour une plus grande simplicité d'installation et pour votre sécurité, il est recommandé d'être deux pour installer ce produit.

A LIRE ATTENTIVEMENT : POUR VOTRE SECURITE, CET APPAREIL DOIT ETRE CORRECTEMENT MIS A LA TERRE POUR EVITER TOUT RISQUE DE CHOC ELECTRIQUE GRAVE.



Le cordon d'alimentation de ce produit est équipé d'une prise à fiche tripolaire (mise à la terre) qui doit être branchée à une prise murale tripolaire standard (mise à la terre) pour limiter les risques de choc électrique.

Faites vérifier la prise murale et le circuit électrique par un électricien agréé pour vous assurer que la prise est correctement mise à la terre.

Si vous ne disposez que d'une prise bipolaire, il est très important qu'un électricien agréé la remplace par une prise tripolaire.

EN AUCUNE CIRCONSTANCE VOUS NE DEVEZ COUPER, PLIER OU RETIRER L'UNE DES FICHES DE LA PRISE DU CORDON D'ALIMENTATION. N'UTILISEZ PAS DE RALLONGE AVEC CET APPAREIL.

NORMES ELECTRIQUES

Le régime nominal du produit est le suivant : 120 volts, 60 hertz, 13,5 A et 1,5 kilowatts. Ce produit doit être branché à un circuit d'alimentation de la tension et de la fréquence appropriés. La dimension des fils doit être conforme aux spécifications de la NEC (National Electrical Code) ou aux normes en vigueur pour ce régime nominal en kilowatts. Le cordon d'alimentation et la prise doivent être raccordés à une prise mise à la terre de 20 A avec circuit terminal. La prise de courant doit être située dans l'armoire, audessus du four à micro-ondes. Cette prise et le circuit d'alimentation doivent être installés par un électricien agréé et être conforme aux spécifications de la NEC (National Electrical Code) et à la réglementation en vigueur.

Informations générales

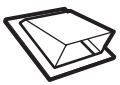


EVACUATION

REMARQUE : Lisez ces deux pages uniquement si vous envisagez de réinjecter l'air dans la pièce, passez à la page 11.

EVACUATION EXTERIEURE PAR LE HAUT (EXEMPLE UNIQUEMENT)

Le schéma suivant constitue un exemple d'installation du réseau de gaines.

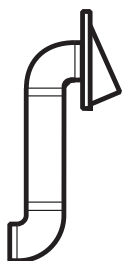





COMPOSITION DES CONDUITS		LONGUEUR EQUIVALENTE	x	NOMBRE UTILISE	=	LONGUEUR EQUIVALENTE	
	Chapiteau (toit)	24 pied	x	(1)	=	24 pied	
	Conduit droit de 12 pieds (diamètre : 6")	12 pied	x	(1)	=	12 pied	
	Raccord rectangulaire-circulaire*	5 pied	x	(1)	=	5 pied	
Les longueurs équivalentes de ces pièces ont été calculées d'après des test réels pour une bonne ventilation quel que soit le modèle de hotte utilisé.					Longueur totale	=	41 pied

* **IMPORTANT:** En cas d'utilisation d'un raccord rectangulaire-circulaire, les coins inférieurs du registre doivent être ajustés à l'aide des petites cisailles à tôle pour permettre le libre mouvement du registre.

EVACUATION EXTERIEURE PAR L'ARRIERE (EXEMPLE UNIQUEMENT)

Le schéma suivant constitue un exemple d'installation du réseau de gaines.



COMPOSITION DES CONDUITS		LONGUEUR EQUIVALENTE	x	NOMBRE UTILISE	=	LONGUEUR EQUIVALENTE	
	Chapiteau (toit)	40 pied	x	(1)	=	40 pied	
	Conduit droit de 3 pieds (3¼" x 10", rectangulaire)	3 pied	x	(1)	=	3 pied	
	90° Coude	10 pied	x	(2)	=	20 pied	
Les longueurs équivalentes de ces pièces ont été calculées d'après des test réels pour une bonne ventilation quel que soit le modèle de hotte utilisé.					Longueur totale	=	63 pied

REMARQUE: Dans le cas d'une évacuation par l'arrière, il est impératif de bien aligner l'évacuation entre les montants du mur, ou de penser lors de la construction à laisser suffisamment de place entre les montants pour y placer une évacuation.

Informations générales

REMARQUE: Si vous êtes amené à installer des tuyaux, notez que la longueur totale du conduit rectangulaire de 3¼" x 10" ou du conduit de 6" de diamètre ne doit pas excéder un équivalent de 140 pieds

Toute ventilation extérieure requiert un CONDUIT D'EVACUATION. Lisez attentivement ce qui suit.

REMARQUE: Il est important que la ventilation installée suive la route la plus directe, avec le moins de coudes possible. Ceci garantit la fluidité de la ventilation et empêche les obturations. **Veillez également à ce que les registres bougent librement et que rien n'obstrue les conduits.**

Branchement de l'évacuation:


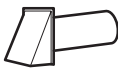


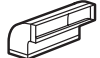

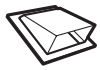

L'évacuation a été prévue pour un conduit rectangulaire standard de 3¼" x 10".

En cas d'utilisation d'un conduit circulaire, un raccord rectangulaire-circulaire doit être utilisé. **N'utilisez pas de conduit d'un diamètre inférieur à 6".**

Longueur maximale du conduit :

Pour la bonne circulation de l'air, la longueur totale du conduit rectangulaire de 3¼" x 10" ou du conduit de 6" de diamètre ne doit pas excéder un équivalent de 140 pieds.

Les coudes, raccords, chapiteaux de toit et de plafonds, etc., présentent une résistance supplémentaire à l'air. Ils équivalent à une section d'un conduit droit dont la longueur est supérieure à leur taille physique réelle. Lors du calcul de la longueur totale des conduits, ajoutez les longueurs équivalentes de tous les raccords à la longueur des sections de conduits droits. Le schéma suivant vous explique comment calculer la longueur totale équivalente des conduits d'évacuation à partir de la longueur équivalente en pieds de conduits traditionnels.

COMPOSITION DES CONDUITS		LONGUEUR EQUIVALENTE	x	NOMBRE UTILISE	=	LONGUEUR EQUIVALENTE
	Raccord rectangulaire-circulaire*	5 pied	x	()	=	pied
	Chapiteau (mur)	40 pied	x	()	=	pied
	90° Coude	10 pied	x	()	=	pied
	45° Coude	5 pied	x	()	=	pied
	90° Coude	25 pied	x	()	=	pied
	45° Coude	5 pied	x	()	=	pied
	Chapiteau (toit)	24 pied	x	()	=	pied
	Conduit droit rectangulaire de 3¼" x 10" ou circulaire de 6"	1 pied	x	()	=	pied
Longueur totale des conduits =						pied



* **IMPORTANT :** En cas d'utilisation d'un raccord rectangulaire-circulaire, les coins inférieurs du registre doivent être ajustés à l'aide des petites cisailles à tôle pour permettre le libre mouvement du registre.

Les longueurs équivalentes de ces pièces ont été calculées d'après des test réels pour une bonne ventilation quel que soit le modèle de hotte utilisé.


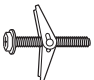

Informations générales

DOMMAGES – TRANSPORT/INSTALLATION

- **Si le matériel est endommagé lors du transport**, retournez-le au magasin où vous l'avez acheté pour qu'il soit réparé ou échangé.
- **Si le matériel est endommagé par le client**, sa réparation ou son remplacement est de la responsabilité du client.
- **Si le matériel est endommagé par l'installateur (autre que le client)**, sa réparation ou son remplacement doit faire l'objet d'un arrangement entre les deux parties.

PIECES FOURNIES

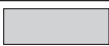
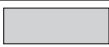


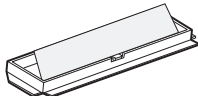
QUINCAILLERIE

PIECE	QUANTITE
 Vis à bois (1/4" x 2")	1
 Boulons à ailette (et écrous à oreilles) (3/16" x 3")	2
 Vis de mécanique à autoréglage (1/4"-28 x 3/4")	2

Vous trouverez toutes ces pièces dans un paquet livré avec l'appareil. Vérifiez qu'il ne manque aucune pièce.

REMARQUE : Des pièces supplémentaires sont également fournies.

PIECES SUPPLEMENTAIRES

PIECE	QUANTITE
 GABARIT DE L'ARMOIRE SUPERIEURE	Gabarit de l'armoire supérieure 1
 GABARIT DU MUR ARRIERE	Gabarit du mur arrière 1
 Instructions d'installation	Instructions d'installation 1
 Filtres à graisse emballés séparément	Filtres à graisse emballés séparément 2
 Adaptateur d'évacuation	Adaptateur d'évacuation 1

Informations générales

TOOLS YOU WILL NEED



Tournevis Phillips n° 1 et 2



Crayon



Règle ou galon et règle de précision



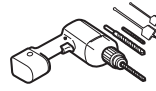
Equerre de menuisier (facultatif)



Cisailles à tôle (pour découper le registre, au besoin)



Ciseaux (pour découper le gabarit, au besoin)



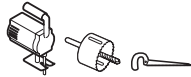
Perceuse électrique avec mèches de $\frac{3}{16}$ ", $\frac{1}{2}$ " et de $\frac{5}{8}$ "



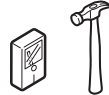
Cales ou morceaux de bois à insérer entre le four et l'armoire supérieure si nécessaire (utilisé dans le cas d'installations sous des armoires encastrées uniquement)



Gants



Scie (scie sauteuse, sciencloche ou scie à guichet)



Détecteur de montant ou marteau (facultatif)



Lunettes de protection

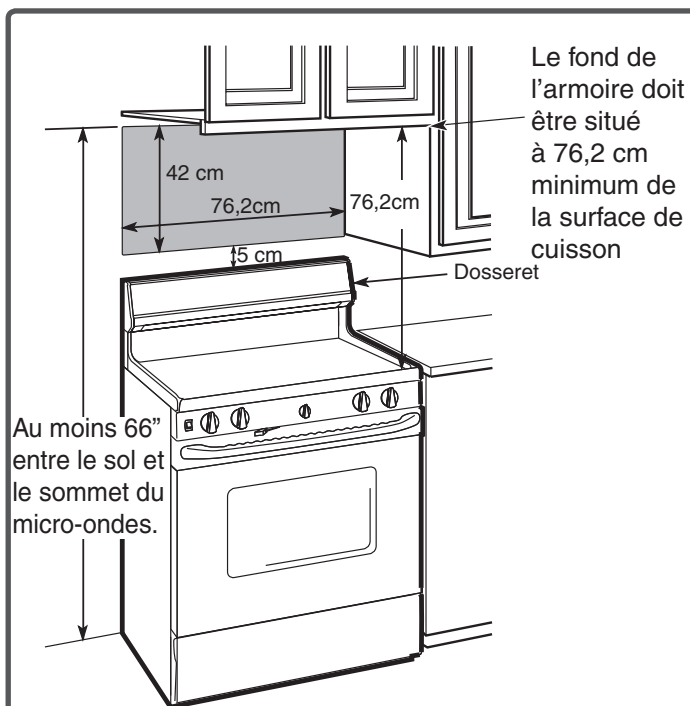


Niveau



Ruban-cache et ruban isolant

MOUNTING SPACE



REMARQUES :

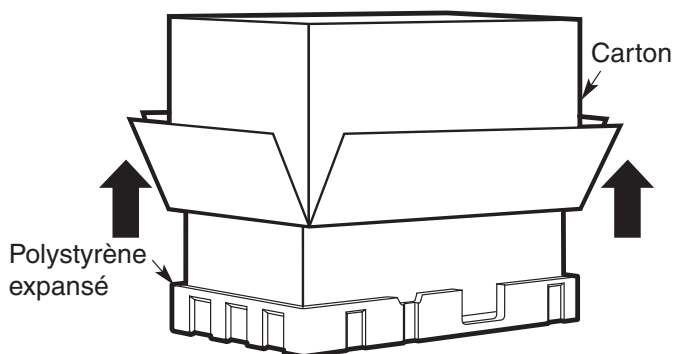
- Prévoir un espace libre de 76,2 cm de large entre les armoires.
- Si l'espacement entre les meubles est supérieur à 30", un kit de remplissage peut être utilisé pour combler l'espace entre le four micro-ondes et les meubles. Le numéro de série de votre modèle figure dans votre manuel d'utilisation.
- Ce four à micro-ondes fait partie de la gamme des fours à micro-ondes de plus de 91,4 cm de large.
- Si vous prévoyez une évacuation extérieure, reportez-vous à la section Evacuation pour préparer les conduits d'évacuation.
- **Si vous installez le four à micro-ondes sous des armoires lisses, veillez à respecter les instructions relatives au gabarit de l'armoire supérieure afin de prévoir un dégagement adéquat pour le cordon d'alimentation.**

Informations générales

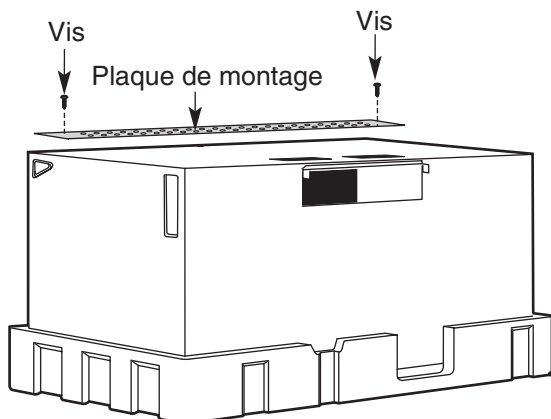
1. POSITIONNEMENT DE LA PLAQUE DE MONTAGE

A. DEBALLAGE DU FOUR A MICRO-ONDES/DE LA PLAQUE DE MONTAGE

1. Sortez les instructions d'installation, l'adaptateur d'évacuation, les filtres, le plateau en verre et le petit sac de pièces de quincaillerie. N'enlevez pas le polystyrène expansé protégeant l'avant du four.
2. Repliez complètement les 4 rabats contre les parois du carton. Retournez ensuite doucement le carton et le four. Le four doit être calé dans le polystyrène expansé.



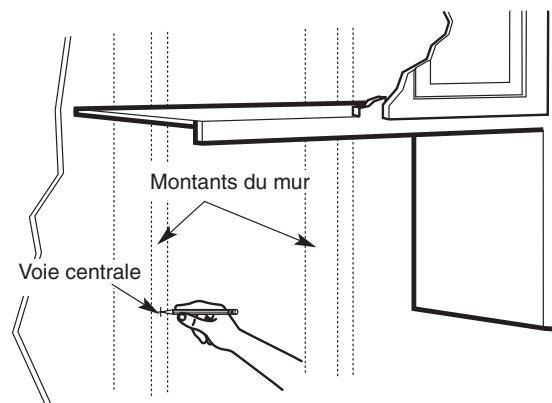
3. Tirez le carton vers le haut pour dégager le four.
4. Retirez puis jetez les sacs plastique.



5. Retirez les deux vis de la plaque de montage. Cette plaque servira de gabarit pour le mur arrière et pour le montage.

REMARQUE : Vous devrez utiliser deux vis à l'emplacement d'origine du boîtier extérieur après le retrait de la plaque de fixation.

B. RECHERCHE DES MONTANTS DU MUR



1. Vous pouvez rechercher les montants de l'une des manières suivantes :

A. A l'aide d'un détecteur de parois, appareil magnétique qui repère les clous.

OR

B. A l'aide d'un marteau, en tapant légèrement sur la paroi jusqu'à émission d'un son plein. Ceci indique la présence d'un montant.

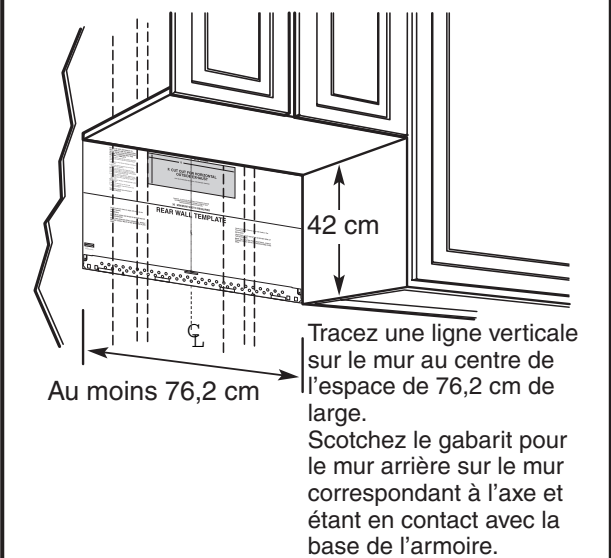
2. Une fois les montants repérés, trouvez-en le centre en grattant le mur avec un ongle pour trouver les bords des montants. Tracez un repère entre les deux bords. Le centre de deux montants adjacents doit être situé à 16" ou 24" de ce repère.
3. Tracez une ligne vers le bas partant du centre de chaque montant.

LE FOUR A MICRO-ONDES DOIT ETRE FIXE AU MOINS A L'UN DES MONTANTS.

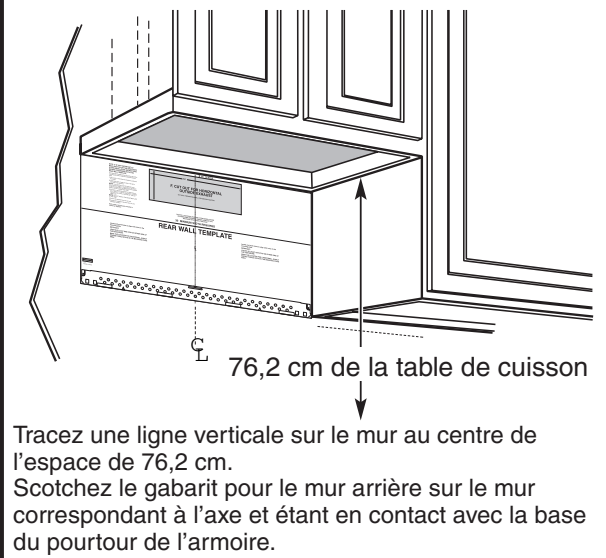
Guide d'installation étape par étape

C. DÉTERMINATION DE L'EMPLACEMENT DE LA PLAQUE MURALE SOUS LE MEUBLE

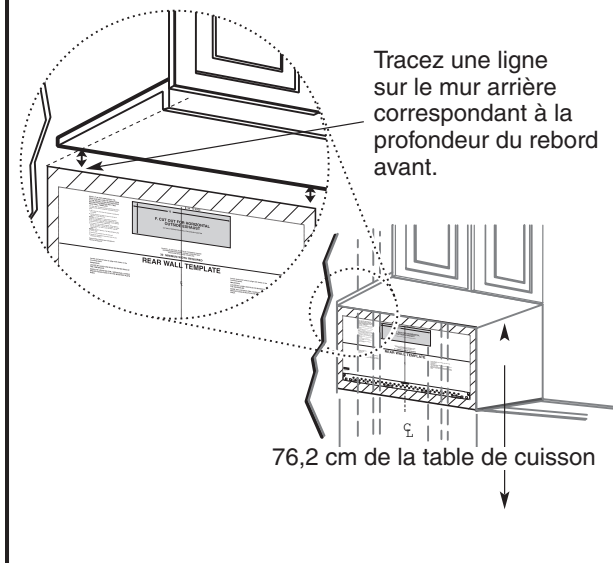
Emplacement de la plaque – Sous une armoire lisse



Emplacement de la plaque – Sous une armoire encastrée avec renforcement



Emplacement de la plaque – Sous une armoire encastrée avec rebord avant



Si le meuble sur lequel vous souhaitez fixer l'appareil comporte des ornements décoratifs, ces derniers risquent de gêner l'installation. Retirez ces ornements pour assurer une installation et une mise à niveau correctes du four.

IL EST TRÈS IMPORTANT QUE LE FOUR MICRO-ONDES SOIT À NIVEAU.

Utilisez un niveau pour vous assurer que le plancher du meuble est bien à horizontale.

Si la structure est dotée d'un débord frontal (sans cadre arrière ni latéral), installez la plaque de fixation sur le mur du fond en la baissant de la longueur du débord. Le four micro-ondes sera ainsi installé à niveau.

1. Mesurez la longueur du débord frontal.
2. Sur le mur du fond, tracez une ligne horizontale située à la même distance du plancher du meuble que le débord.
3. Pour ce type d'installation avec débord uniquement, alignez les pattes de fixation sur la ligne horizontale en veillant à ne pas toucher le plancher du meuble comme décrit dans l'étape D.

Guide d'installation étape par étape

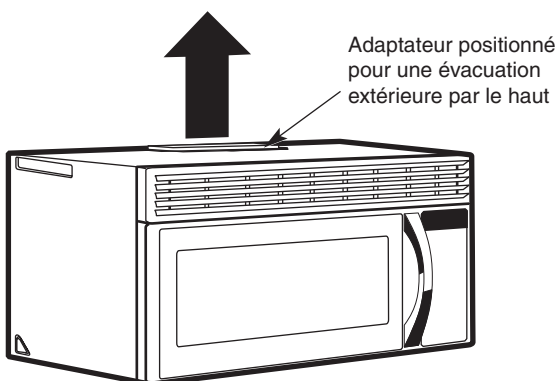
2. TYPES D'INSTALLATION (A, B OU C)

Ce four à micro-ondes prend en charge les trois systèmes de ventilation suivants :

- A. **Système d'évacuation par le haut (conduit vertical)**
- B. **Circulation de l'air en circuit fermé (sans conduit et sans événements)**
- C. **Système d'évacuation par l'arrière (conduit horizontal)**

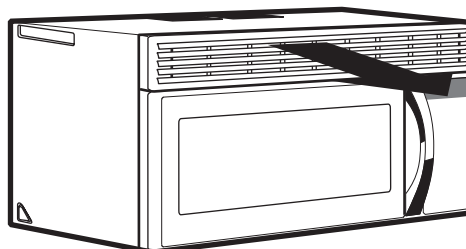
REMARQUE : Ce micro-ondes est livré assemblé pour le système d'évacuation par le haut (hormis les modèles sans événements). Sélectionnez le système de ventilation adapté à votre installation et reportez-vous à la section correspondante.

A. SYSTÈME D'ÉVACUATION PAR LE HAUT (CONDUIT VERTICAL)



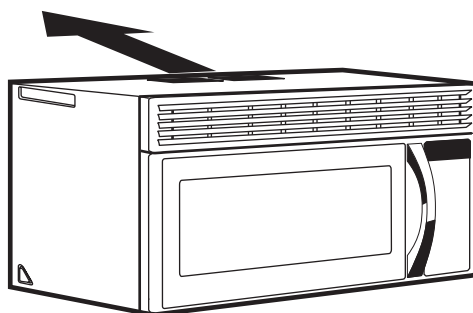
Reportez-vous à la page 12

B. CIRCULATION DE L'AIR EN CIRCUIT FERMÉ (SANS CONDUIT ET SANS ÉVÉNEMENTS)



Reportez-vous à la page 15

C. SYSTÈME D'ÉVACUATION PAR L'ARRIÈRE (CONDUIT HORIZONTAL)



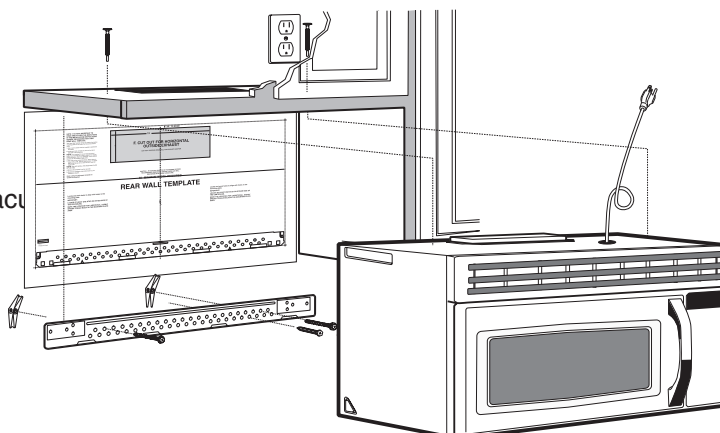
Reportez-vous à la page 19

Guide d'installation étape par étape

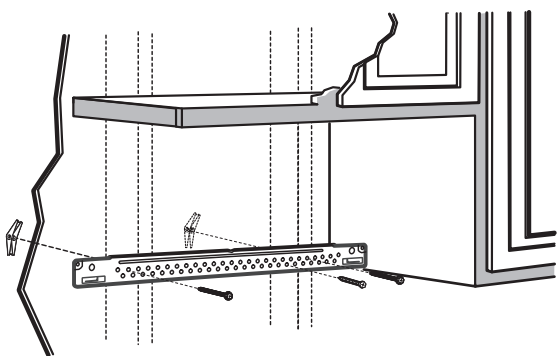
A. SYSTÈME D'ÉVACUATION PAR LE HAUT (conduit vertical)

PRÉSENTATION DE L'INSTALLATION

- A1. Fixation de la plaque murale
- A2. Préparation du meuble haut
- A3. Montage du four micro-ondes
- A4. Réglage de l'adaptateur du système d'évacuation
- A5. Connexion des conduits



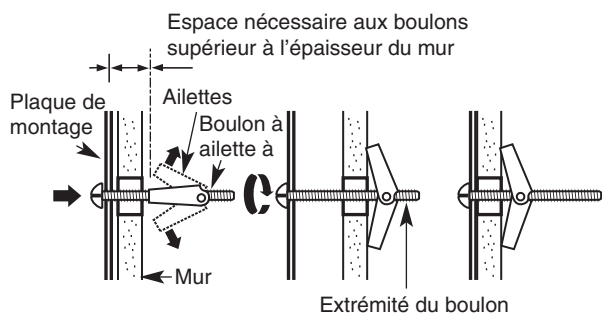
A1. FIXATION DE LA PLAQUE MURALE



Fixez la plaque au mur à l'aide de boulons à ailettes. Au moins une vis à bois est nécessaire pour fixer la plaque à un goujon.

1. Retirez les ailettes des boulons.
2. Insérez les boulons dans la plaque de fixation via les trous pour cloison sèche et engagez les ailettes sur $\frac{3}{4}$ " sur chaque boulon.

Utilisation des boulons à ailettes :



3. Placez la plaque de fixation contre le mur et insérez les ailettes dans les trous du mur pour fixer la plaque.

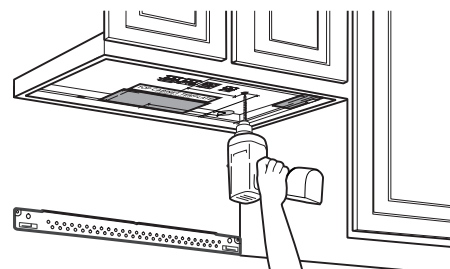
REMARQUE : avant de serrer les boulons à ailettes et la vis à bois, assurez-vous que les pattes de la plaque de fixation sont en contact avec le plancher du meuble lorsque vous poussez celle-ci contre le mur (assurez-vous également que la plaque est correctement centrée sur le plancher du meuble).

ATTENTION : veillez à ne pas vous pincer les doigts entre l'arrière de la plaque et le mur.

4. Serrez tous les boulons. Retirez la plaque du mur pour faciliter l'opération.

A2. UTILISATION DU GABARIT DU MEUBLE HAUT DANS LA PRÉPARATION DU MEUBLE

Vous devez à présent percer les trous des vis de fixation supérieure ; leur diamètre doit permettre le passage du cordon d'alimentation et leur découpe la fixation de l'adaptateur du système d'évacuation.

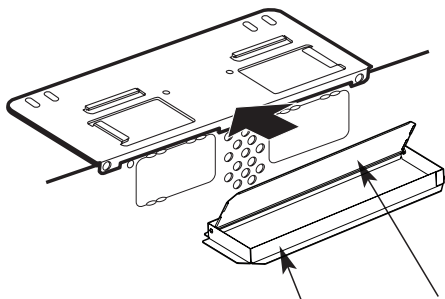


- Lisez les instructions figurant sur le GABARIT DU MEUBLE HAUT.
- Collez-le sous le plancher du meuble haut.
- Percez les trous en respectant les instructions figurant sur le GABARIT DU MEUBLE HAUT.

ATTENTION : portez des lunettes de sécurité pendant cette dernière opération.

Guide d'installation étape par étape

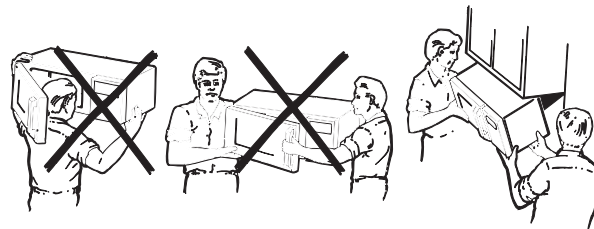
A3. PROCÉDURE D'INSTALLATION DE L'ADAPTEUR DU SYSTÈME D'ÉVACUATION ET CONTRÔLE DE FONCTIONNEMENT DU REGISTRE



L'adaptateur du système d'évacuation et le registre sont livrés assemblés à la cale supérieure.

1. Faites glisser l'adaptateur du système d'évacuation conformément aux schémas.
2. Retirez l'adhésif retenant le registre et assurez-vous que ce dernier pivote facilement avant de monter le four micro-ondes.
- Effectuez les réglages nécessaires afin que le four soit correctement aligné sur le conduit d'évacuation de l'habitation.

A4. MONTAGE DU FOUR MICRO-ONDES



POUR PLUS DE FACILITÉ ET DE SÉCURITÉ LORS DE L'INSTALLATION DE L'APPAREIL, DEUX PERSONNES SONT NÉCESSAIRES.

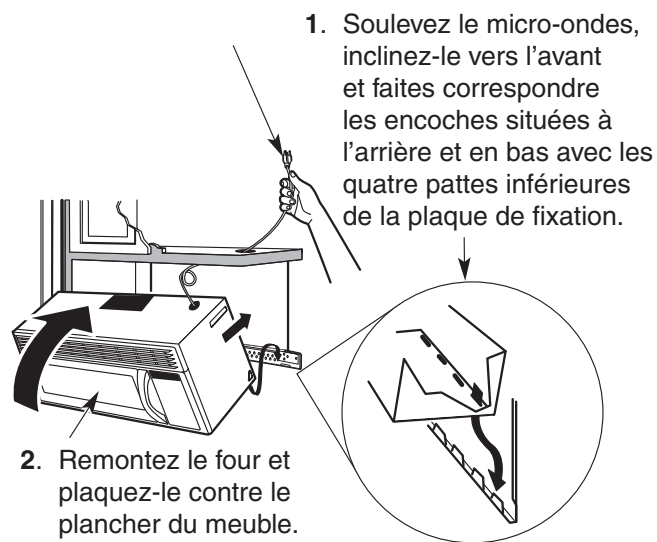
IMPORTANT : éviter de saisir ou d'accrocher la poignée du four pendant l'installation.

REMARQUE : si votre meuble est en métal, placez la rondelle en nylon autour du trou du cordon d'alimentation afin d'éviter de couper ce dernier.

REMARQUE : nous vous recommandons l'utilisation de cales si le meuble est doté d'un débord.

IMPORTANT : si vous n'utilisez pas de cales, l'habillage du meuble risquerait d'être endommagé suite à un serrage trop important des vis.

REMARQUE : lors du montage du four, faites passer le cordon d'alimentation dans le trou pratiqué dans le plancher du meuble haut. Tendez le câble au cours des étapes 1 à 3 ; veillez en outre à ne pas le coincer ou tirer dessus.



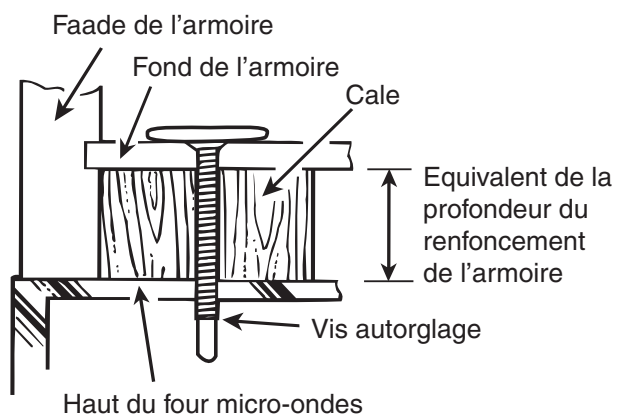
1. Soulevez le micro-ondes, inclinez-le vers l'avant et faites correspondre les encoches situées à l'arrière et en bas avec les quatre pattes inférieures de la plaque de fixation.

2. Remontez le four et plaquez-le contre le plancher du meuble.

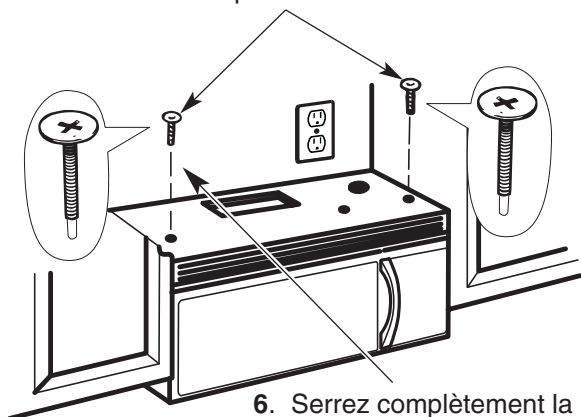
3. Insérez une vis autocentreuse dans le trou central du meuble haut. Fixez temporairement le four en faisant effectuer à la vis au moins **deux tours complets** après l'engagement des filets (Elle sera complètement serrée ultérieurement.). **Veillez à garder le cordon d'alimentation tendu. Attention**

Guide d'installation étape par étape

à ne pas coincer le cordon, en particulier au moment où vous collez le four contre le plancher du meuble.

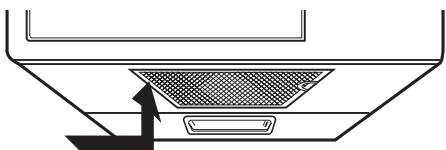


4. Fixez le four micro-ondes sur le meuble haut.
5. Insérez 2 vis autocentreuses dans les trous extérieurs du meuble haut. Tournez chaque vis de deux tours.



6. Serrez complètement la vis centrale.

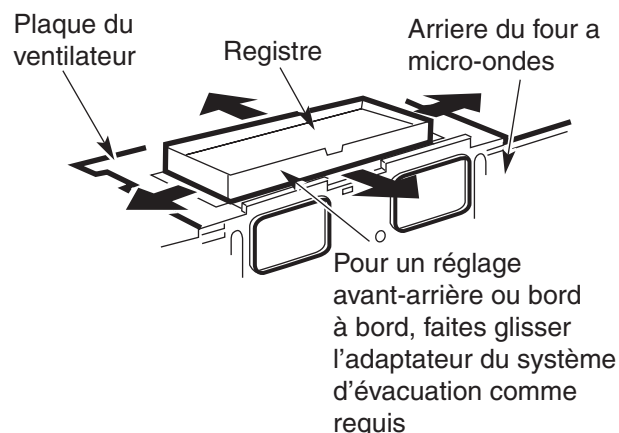
7. Fixez les deux vis extérieures dans la partie supérieure du four (Tout en serrant les vis, maintenez le four contre le mur du fond et le plancher du meuble haut.).



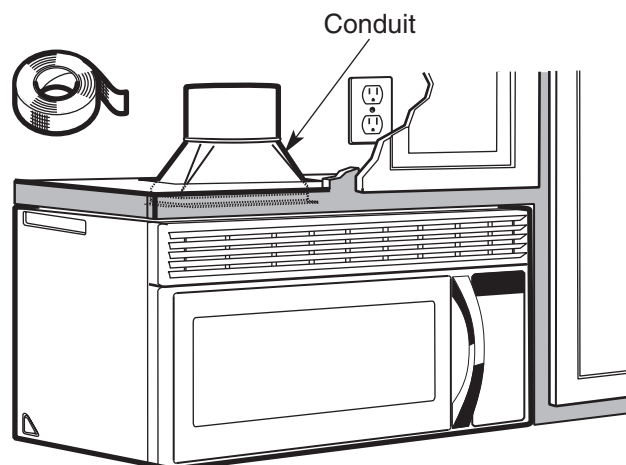
8. Installez le filtre à graisses. Reportez-vous au manuel d'utilisation fourni avec le micro-ondes.

A5. RÉGLAGE DE L'ADAPTATEUR DU SYSTÈME D'ÉVACUATION

Ouvrez le meuble haut et réglez l'adaptateur du système d'évacuation afin de le relier au conduit de la cuisine.



A6. CONNEXION DES CONDUITS



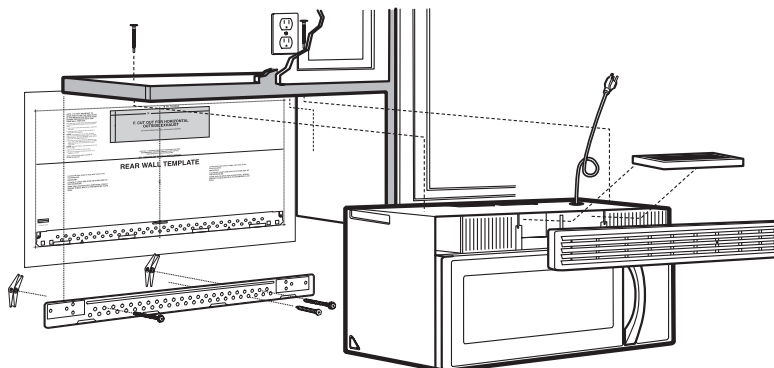
1. Tirez le conduit de la cuisine vers le bas pour le relier à l'adaptateur du système d'évacuation.
2. Scellez les joints du conduit du système d'évacuation à l'aide d'un ruban adhésif en toile.

Guide d'installation étape par étape

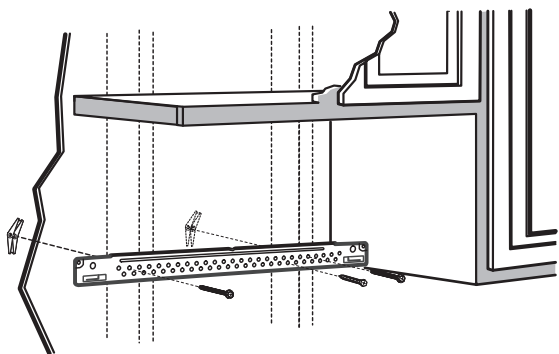
B. CIRCULATION DE L'AIR EN CIRCUIT FERMÉ (sans conduit et sans événements)

PRÉSENTATION DE L'INSTALLATION

- B1. Fixation de la plaque murale
- B2. Préparation du meuble haut
- B3. Réglage du ventilateur
- B4. Montage du four micro-ondes
- B5. Installation du filtre à charbon



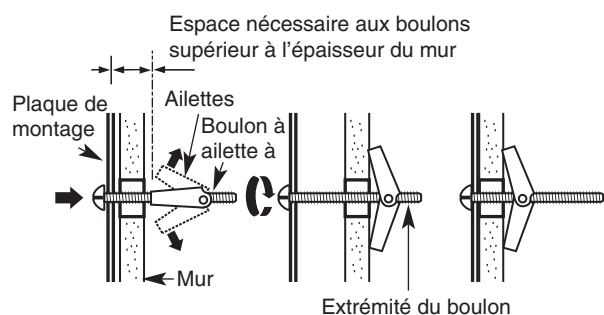
B1. FIXATION DE LA PLAQUE MURALE



Fixez la plaque au mur à l'aide de boulons à ailettes. Au moins une vis à bois est nécessaire pour fixer la plaque à un goujon.

1. Retirez les ailettes des boulons.
2. Insérez les boulons dans la plaque de fixation via les trous pour cloison sèche et engagez les ailettes sur $\frac{3}{4}$ " sur chaque boulon.

Utilisation des boulons à ailettes :



3. Placez la plaque de fixation contre le mur et insérez les ailettes dans les trous du mur pour fixer la plaque.

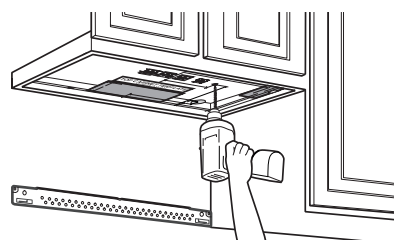
REMARQUE : avant de serrer les boulons à ailettes et la vis à bois, assurez-vous que la partie inférieure de la plaque de fixation est alignée sur la ligne horizontale du gabarit du mur du fond ; assurez-vous également que la plaque est correctement centrée sur le plancher du meuble.

ATTENTION : veillez à ne pas vous pincer les doigts entre l'arrière de la plaque et le mur.

4. Serrez tous les boulons. Retirez la plaque du mur pour faciliter l'opération.

B2. UTILISATION DU GABARIT DU MEUBLE HAUT DANS LA PRÉPARATION DU MEUBLE

Vous devez percer des trous pour les vis de fixation supérieure et un trou de diamètre suffisamment important pour y faire passer le cordon d'alimentation.



- Lisez les instructions figurant sur le GABARIT DU MEUBLE HAUT.
- Collez-le sous le plancher du meuble haut.
- Percez les trous en respectant les instructions figurant sur le GABARIT DU MEUBLE HAUT.

ATTENTION : portez des lunettes de sécurité pendant cette dernière opération.

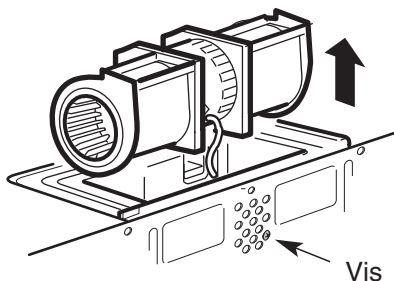
Guide d'installation étape par étape

B3. ADAPTATION DU VENTILATEUR DU MICRO-ONDES À LA CIRCULATION EN CIRCUIT FERMÉ

1. Retirez et conservez la vis qui fixe la plaque du ventilateur au micro-ondes.
 2. Soulevez la plaque du ventilateur.
- Arrière du four a micro-ondes

REMARQUE : l'adaptateur du système d'évacuation avec registre n'est pas nécessaire sur les modèles avec système de circulation en circuit fermé. Vous pouvez toutefois les conserver en vue d'une utilisation ultérieure éventuelle.

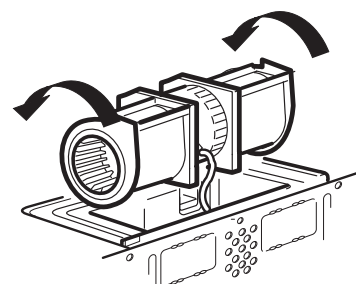
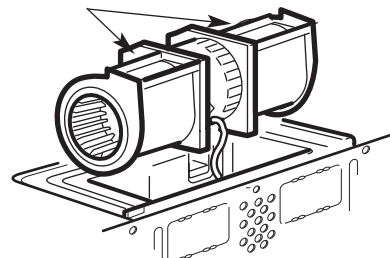
3. Retirez le ventilateur avec précaution. Les câbles sortent suffisamment pour vous permettre de le régler.



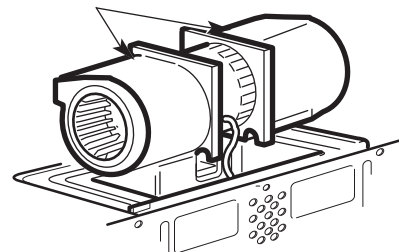
ATTENTION : ne touchez pas les ailettes du ventilateur, car vous risqueriez de les fendre ou de les casser. Tenez fermement l'habillage extérieur lorsque vous retirez ou remettez en place le ventilateur.

4. Tournez le ventilateur de 90° afin que les ouvertures des ailettes soient dirigées vers l'avant du micro-ondes.

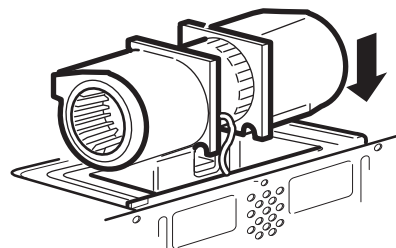
AVANT : ouvertures des ailettes du ventilateur dirigées vers le haut



APRÈS : ouvertures des ailettes du ventilateur dirigées vers l'avant



5. Remettez le ventilateur dans son logement.

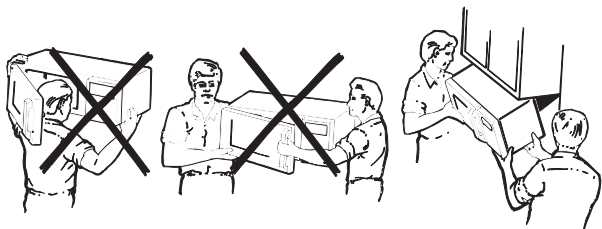


ATTENTION : ne tirez pas sur les câbles du ventilateur. Assurez-vous que les câbles n'ont pas été coincés au moment de la remise en place.

6. Fixez le ventilateur sur le four micro-ondes à l'aide de la vis.

Guide d'installation étape par étape

B4. MONTAGE DU FOUR MICRO-ONDES



POUR PLUS DE FACILITÉ ET DE SÉCURITÉ LORS DE L'INSTALLATION DE L'APPAREIL, DEUX PERSONNES SONT NÉCESSAIRES.

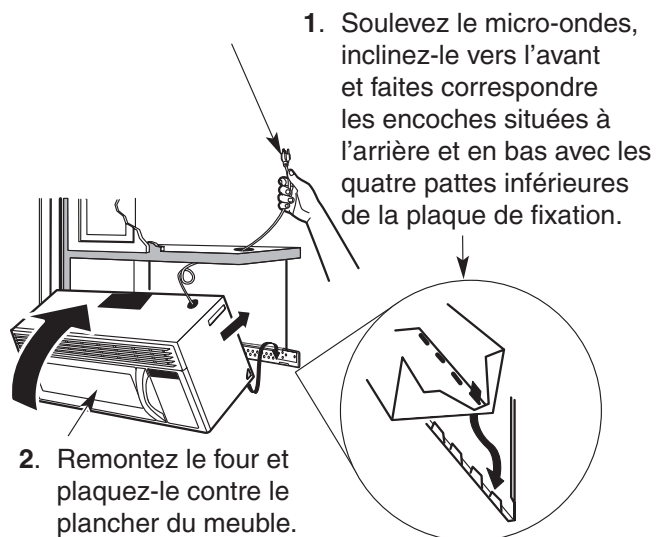
IMPORTANT : éviter de saisir ou d'accrocher la poignée du four pendant l'installation.

REMARQUE : si votre meuble est en métal, placez la rondelle en nylon autour du trou du cordon d'alimentation afin d'éviter de couper ce dernier.

REMARQUE : nous vous recommandons l'utilisation de cales si le meuble est doté d'un débord.

IMPORTANT : si vous n'utilisez pas de cales, l'habillage du meuble risquerait d'être endommagé suite à un serrage trop important des vis.

REMARQUE : lors du montage du four, faites passer le cordon d'alimentation dans le trou pratiqué dans le plancher du meuble haut. Tendez le câble au cours des étapes 1 à 3 ; veillez en outre à ne pas le coincer ou tirer dessus.

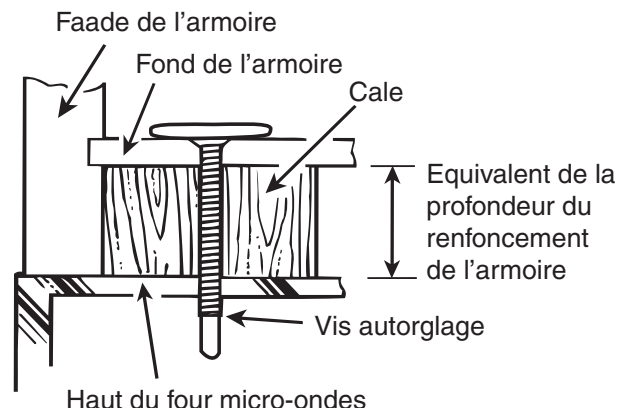


1. Soulevez le micro-ondes, inclinez-le vers l'avant et faites correspondre les encoches situées à l'arrière et en bas avec les quatre pattes inférieures de la plaque de fixation.

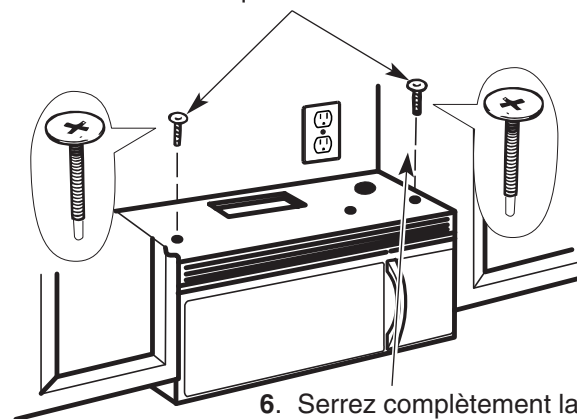
2. Remontez le four et plaquez-le contre le plancher du meuble.

3. Insérez une vis autocentreuse dans le trou central du meuble haut. Fixez temporairement le four en faisant effectuer à la vis au moins **deux tours complets** après l'engagement des filets (Elle sera complètement serrée ultérieurement.). **Veillez à garder le cordon d'alimentation tendu. Attention**

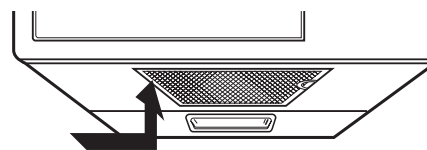
à ne pas coincer le cordon, en particulier au moment où vous collez le four contre le plancher du meuble.



4. Fixez le four micro-ondes sur le meuble haut.
5. Insérez 2 vis autocentreuses dans les trous extérieurs du meuble haut. Tournez chaque vis de deux tours.



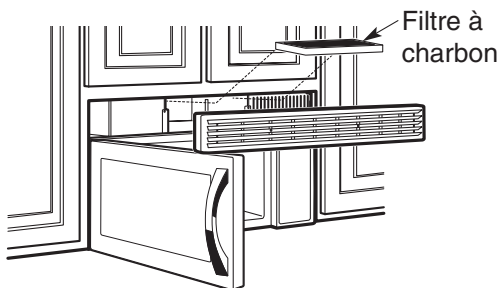
7. Fixez les deux vis extérieures dans la partie supérieure du four (Tout en serrant les vis, maintenez le four contre le mur du fond et le plancher du meuble haut.).



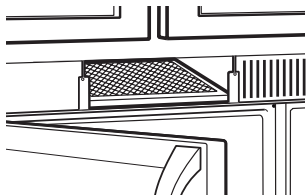
8. Installez le filtre à graisses. Reportez-vous au manuel d'utilisation fourni avec le micro-ondes.

Guide d'installation étape par étape

B5. INSTALLATION DU FILTRE À CHARBON



1. Retirez les vis situées sur le dessus de la grille à l'aide d'un tournevis cruciforme n°1.
 2. Ouvrez la porte.
 3. Retirez la grille.
- Poussez sur la gauche puis tirez vers vous.



Insérez côté grillage dirigé vers le haut

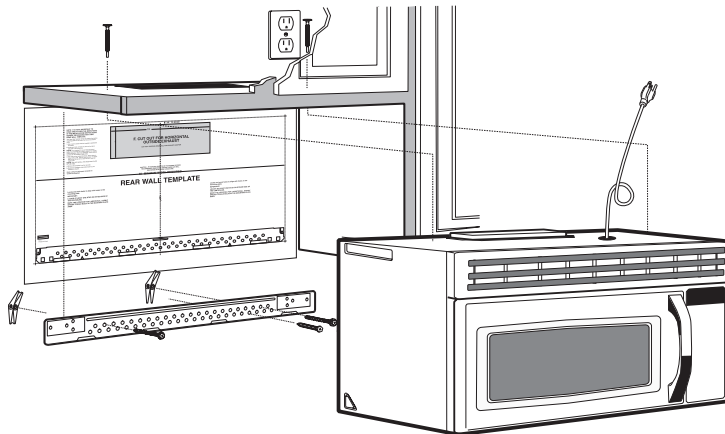
4. Installez le filtre à charbon. Lorsqu'il est correctement installé, le grillage métallique du filtre doit être visible depuis l'avant.
5. Remettez la grille et les vis en place.
6. Fermez la porte.

Guide d'installation étape par étape

C. SYSTÈME D'ÉVACUATION PAR L'ARRIÈRE (conduit horizontal)

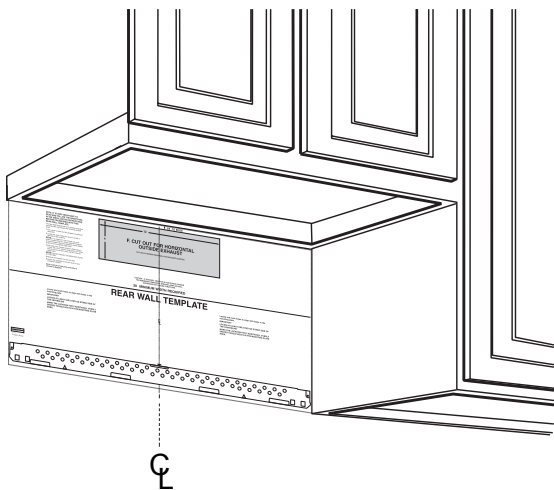
PRÉSENTATION DE L'INSTALLATION

- C1. Préparation du mur du fond
- C2. Fixation de la plaque murale
- C3. Préparation du meuble haut
- C4. Réglage du ventilateur
- C5. Montage du four micro-ondes



C1. PRÉPARATION DU MUR DU FOND POUR LE SYSTÈME D'ÉVACUATION PAR L'ARRIÈRE

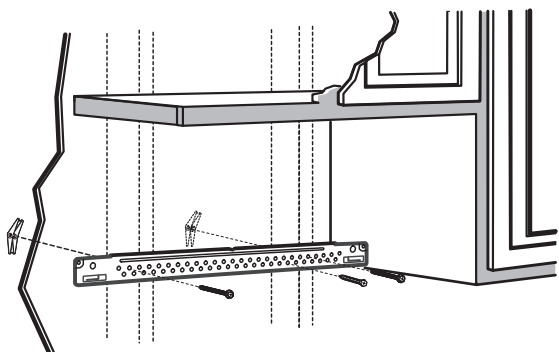
Vous devez pratiquer une ouverture dans le mur du fond pour installer le système d'évacuation.



- Lisez les instructions figurant sur le GABARIT DU MUR DU FOND.
- Collez le gabarit sur le mur du fond.
- Pratiquez l'ouverture en respectant les instructions figurant sur le GABARIT DU MUR DU FOND.

Guide d'installation étape par étape

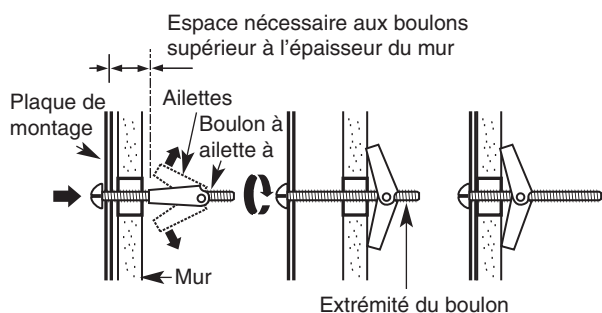
C2. FIXATION DE LA PLAQUE MURALE



Fixez la plaque au mur à l'aide de boulons à ailettes. Au moins une vis à bois est nécessaire pour fixer la plaque à un goujon.

1. Retirez les ailettes des boulons.
2. Insérez les boulons dans la plaque de fixation via les trous pour cloison sèche et engagez les ailettes sur $\frac{3}{4}$ " sur chaque boulon.

Utilisation des boulons à ailettes :



3. Placez la plaque de fixation contre le mur et insérez les ailettes dans les trous du mur pour fixer la plaque.

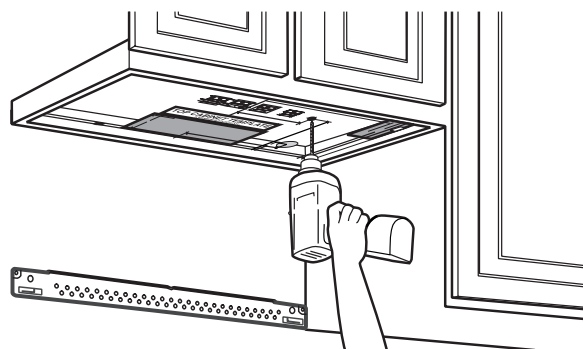
REMARQUE : avant de serrer les boulons à ailettes et la vis à bois, assurez-vous que les pattes de la plaque de fixation sont en contact avec le plancher du meuble lorsque vous poussez celle-ci contre le mur (assurez-vous également que la plaque est correctement centrée sur le plancher du meuble).

ATTENTION : veillez à ne pas vous pincer les doigts entre l'arrière de la plaque et le mur.

4. Serrez tous les boulons. Retirez la plaque du mur pour faciliter l'opération.

C3. UTILISATION DU GABARIT DU MEUBLE HAUT DANS LA PRÉPARATION DU MEUBLE

Vous devez à présent percer les trous des vis de fixation supérieure ; leur diamètre doit permettre le passage du cordon d'alimentation et leur découpe la fixation de l'adaptateur du système d'évacuation.



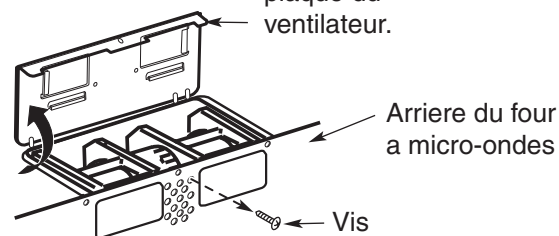
- Lisez les instructions figurant sur le GABARIT DU MEUBLE HAUT.
- Collez-le sous le plancher du meuble haut.
- Percez les trous en respectant les instructions figurant sur le GABARIT DU MEUBLE HAUT.

ATTENTION : portez des lunettes de sécurité pendant cette dernière opération.

C4. ADAPTATION DU VENTILATEUR DU FOUR MICRO-ONDES AU SYSTÈME D'ÉVACUATION PAR L'ARRIÈRE

1. Retirez et conservez les vis fixant la plaque et le moteur du ventilateur au four micro-ondes.

2. Soulevez la plaque du ventilateur.

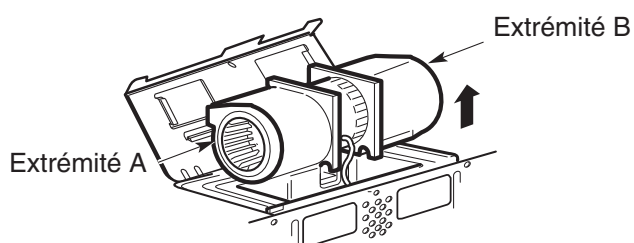


Guide d'installation étape par étape

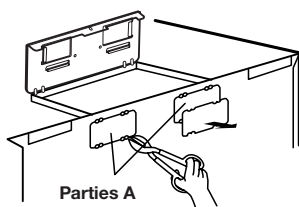
C4. ADAPTATION DU VENTILATEUR DU FOUR MICRO-ONDES AU SYSTÈME D'ÉVACUATION PAR L'ARRIÈRE (cont.)

3. Retirez le ventilateur avec précaution. Les câbles sortent suffisamment pour vous permettre de le régler.

AVANT : ouvertures des ailettes du ventilateur dirigées vers le l'avant

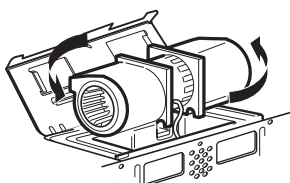


4. Retirez les « parties A » à l'aide de cisailles à tôles ou de pinces.
(sur certains modèles)



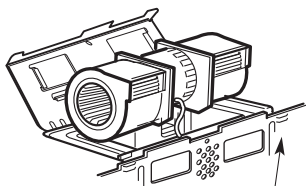
5. Faites pivoter le ventilateur de 180° dans le sens inverse des aiguilles d'une montre.

Avant la rotation



Arrière du four a micro-ondes

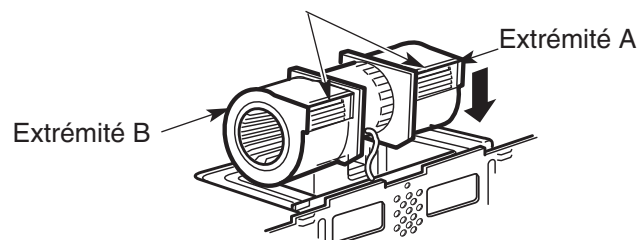
Après la rotation



Arrière du four a micro-ondes

6. Remettez le ventilateur dans son logement.

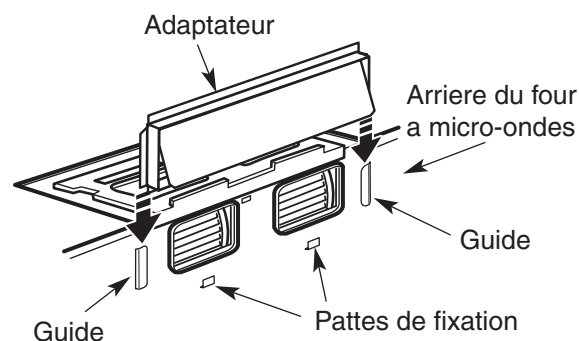
APRÈS : ouvertures des ailettes du ventilateur dirigées vers l'arrière



ATTENTION : ne tirez pas sur les câbles du ventilateur. Assurez-vous que les câbles n'ont pas été coincés au moment de la remise en place.

REMARQUE : Les ouvertures du système d'évacuation du ventilateur doivent correspondre aux ouvertures situées à l'arrière du four micro-ondes.

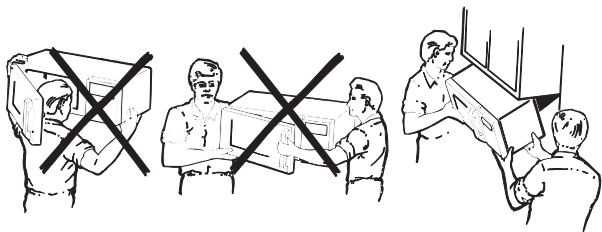
7. Remettez la plaque du ventilateur et la vis en place, au même emplacement que précédemment.
8. Fixez l'adaptateur du système d'évacuation à l'arrière du four en le glissant dans les guides situés au centre et en haut de la face arrière du four.



Poussez fermement dessus jusqu'à ce qu'il vienne se fixer dans les pattes de fixation inférieures. Assurez-vous que la charnière du registre est située dans la partie supérieure et que le registre bouge librement.

Guide d'installation étape par étape

C5. MONTAGE DU FOUR MICRO-ONDES



POUR PLUS DE FACILITÉ ET DE SÉCURITÉ LORS DE L'INSTALLATION DE L'APPAREIL, DEUX PERSONNES SONT NÉCESSAIRES.

IMPORTANT : éviter de saisir ou d'accrocher la poignée du four pendant l'installation.

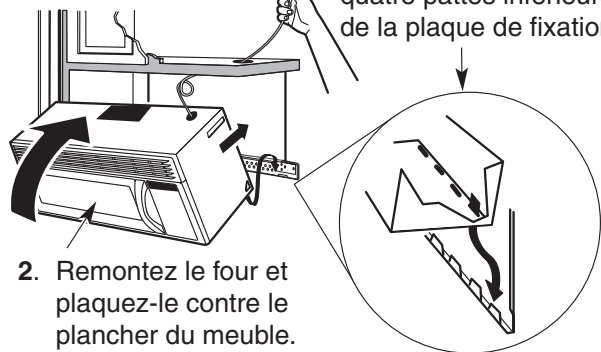
REMARQUE : si votre meuble est en métal, placez la rondelle en nylon autour du trou du cordon d'alimentation afin d'éviter de couper ce dernier.

REMARQUE : nous vous recommandons l'utilisation de cales si le meuble est doté d'un débord.

IMPORTANT : si vous n'utilisez pas de cales, l'habillage du meuble risquerait d'être endommagé suite à un serrage trop important des vis.

REMARQUE : lors du montage du four, faites passer le cordon d'alimentation dans le trou pratiqué dans le plancher du meuble haut. Tendez le câble au cours des étapes 1 à 3 ; veillez en outre à ne pas le coincer ou tirer dessus.

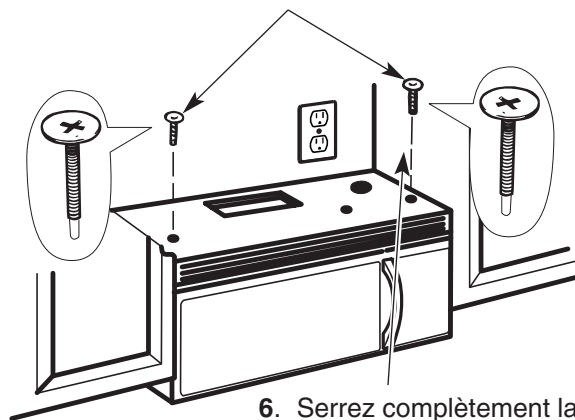
1. Soulevez le micro-ondes, inclinez-le vers l'avant et faites correspondre les encoches situées à l'arrière et en bas avec les quatre pattes inférieures de la plaque de fixation.



2. Remontez le four et plaquez-le contre le plancher du meuble.
3. Insérez une vis autocentreuse dans le trou central du meuble haut. Fixez temporairement le four en faisant effectuer à la vis au moins **deux tours complets** après l'engagement des filets (Elle sera complètement serrée ultérieurement.). **Veillez à garder le cordon d'alimentation tendu. Attention à ne pas coincer le cordon, en particulier**

au moment où vous collez le four contre le plancher du meuble.

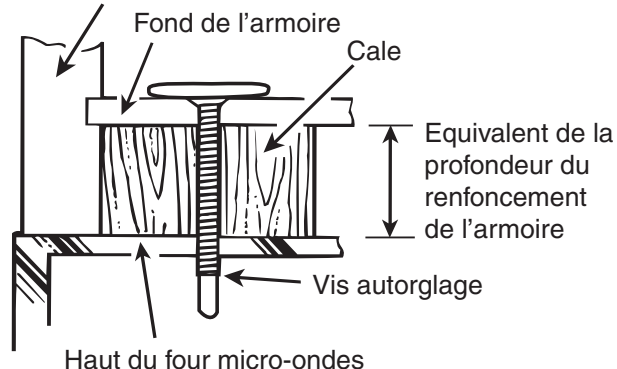
5. Insérez 2 vis autocentreuses dans les trous extérieurs du meuble haut. Tournez chaque vis de deux tours.



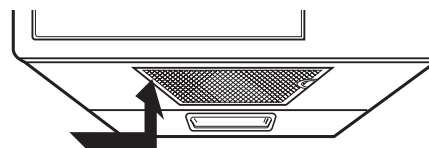
6. Serrez complètement la vis centrale.

4. Fixez le four micro-ondes sur le meuble haut.

Faade de l'armoire



7. Fixez les deux vis extérieures dans la partie supérieure du four (Tout en serrant les vis, maintenez le four contre le mur du fond et le plancher du meuble haut.).



8. Installez le filtre à graisses. Reportez-vous au manuel d'utilisation fourni avec le micro-ondes.

Avant d'utiliser votre four micro-ondes

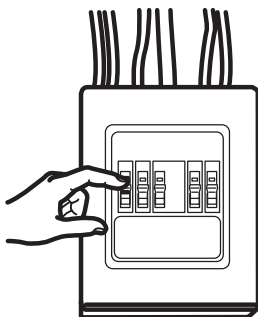
1. Vérifiez que le four à micro-ondes a été installé conformément aux instructions fournies.



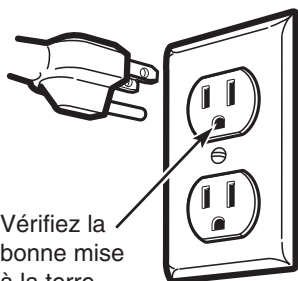
2. Enlevez tous les matériaux d'emballage placés à l'intérieur du four.

3. Installez le plateau tournant et l'anneau de guidage.

4. Remplacez les fusibles ou remettez le disjoncteur en marche.



5. Branchez le cordon d'alimentation à une prise électrique de 20 A (prise dédiée).



Vérifiez la bonne mise à la terre avant la mise en service

6. Consultez le manuel d'utilisation.



7. CONSERVEZ LES INSTRUCTIONS D'INSTALLATION EN VUE DE LEUR UTILISATION PAR UN CONTROLEUR LOCAL.





N° de code : DE68-03587B-02
Imprimé en Malaisie

