

# ME11A7710DS

SAMSUNG

1.1 cu. ft. Smart SLIM Over-the-Range Microwave with 550 CFM Ventilation, Wi-Fi & Voice Control



## Signature Features

### Slim Design

- Open up space above your cooktop with the new, beautifully designed Smart SLIM Over-the-Range Microwave. This combination microwave and hood packs in powerful performance and technology you love in a slim, space-efficient size.

### Wi-Fi and Voice Control

- Adjust settings with your voice or with your smartphone by using the SmartThings App.\* Using a voice assistant, like Samsung Bixby, Amazon Alexa, or Google Assistant, you can tell your microwave what you want it to do.

\*Available on Android & iOS devices. A Wi-Fi connection and a Samsung account are required. Bixby is Samsung's brand of artificial intelligence (AI), Amazon Alexa and all related logos are trademarks of Amazon.com, Inc. or its affiliates. Google is a trademark of Google LLC. This app also supports iOS 7 or later for iPhone models. SmartThings App available in App Store and Play Store.

### 550 CFM Hood Ventilation with Hood Connectivity

- The most powerful ventilation system among Over-the-Range microwaves. The 550 CFM ventilation capacity quickly removes steam, grease and odors that result from cooking.

## Available Colors



Fingerprint Resistant  
Stainless Steel (shown)



Fingerprint Resistant  
Black Stainless Steel



550 CFM Hood Ventilation



Wi-Fi and Voice Control

## Features

- Slim Design
- 550 CFM Ventilation System
- Wi-Fi and Voice Control
- SmartThings Cooking\*
- Sensor Cooking
- Ceramic Enamel Interior
- 1.1 cu. ft. Oven Capacity
- Glass Touch Controls
- 1100 Watts of Cooking Power
- 10 Power Levels

- Auto Defrost/Power/Sensor Reheat
- Auto Cook
- Recessed Handle
- Change Filter Reminder

## Convenience

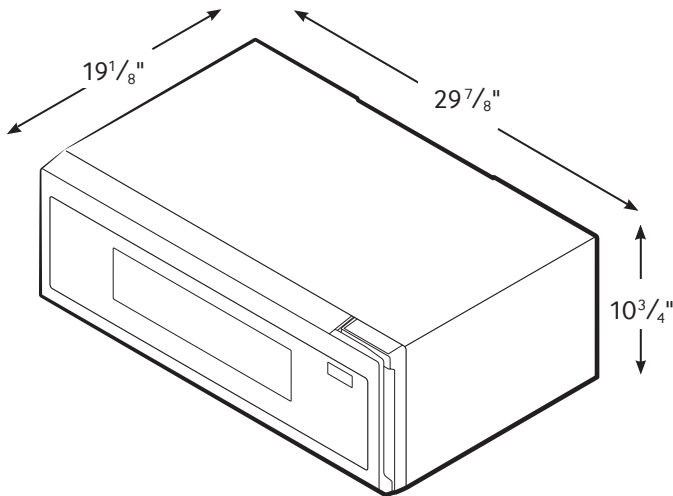
- LCD Display
- Clock (12 hr/24 hr) with Daylight Saving Time Adjustment
- Kitchen Timer
- Weight Option
- End Signal
- Interior Light: LED
- Cooktop Lighting: Bar LED
- Vent Fan Control: Boost/Hi/Mid/Lo/Off
- Child Safety Lock
- Sound On/Off
- Eco Mode (Reduces Standby Power)
- Wide Grease Filters (2)

# ME11A7710DS

SAMSUNG

## 1.1 cu. ft. Smart SLIM Over-the-Range Microwave with 550 CFM Ventilation, Wi-Fi & Voice Control

### Dimensions



### Installing Your Microwave

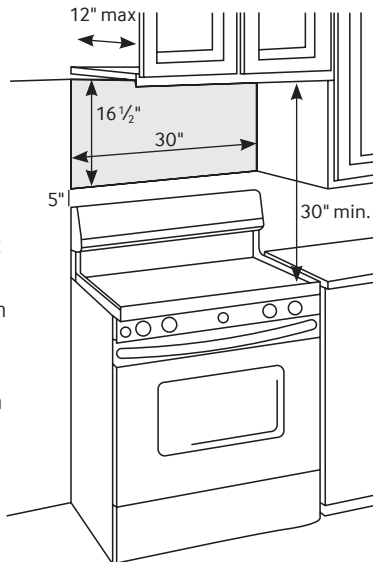
- This microwave oven is designed for adaptation to the following three types of ventilation:

- Outside Top Exhaust (Vertical Duct)
- Recirculating (Non-vented Ductless)
- Outside Back Exhaust (Horizontal Duct)

- The space between the cabinets must be 30" wide and free of obstructions.

- This microwave oven is for installation over ranges up to 36" wide.

- The microwave must be level. Use a level to make sure the cabinet bottom is level. If the cabinets have a front overhang only, with no back or side frame, install the mounting plate down the same distance as the front overhang depth. This will keep the microwave level.



### Specifications

- Oven Cavity: 1.1 cu. ft.
- Power Output: 1100W
- Power Consumption: 1650 W/14.5 Amps
- Power Source: 120 V/60 Hz
- Control Method: Glass Touch
- Display: White LCD
- Cooking Control: 10 Power Levels, Including Defrost
- Cooking Timer: Digital, up to 99 Minutes, 99 Seconds
- Microwave Distribution System: Turntable
- Glass Turntable Diameter: 11<sup>1</sup>/<sub>2</sub>"
- Vent Fan: 4-Speed/550 CFM
- Vent Fan Control: Boost/Hi/Mid/Lo/Off
- Interior Light: LED
- Cooktop Lighting: Bar LED

### Warranty

One (1) Year Parts and Labor  
Ten (10) Years Parts on Magnetron

### Product Dimensions & Weight (WxHxD)

Cavity Dimensions: 18<sup>1</sup>/<sub>2</sub>" x 6<sup>15</sup>/<sub>16</sub>" x 14<sup>15</sup>/<sub>16</sub>"

Outside Net Dimensions: 29<sup>7</sup>/<sub>8</sub>" x 10<sup>3</sup>/<sub>4</sub>" x 19<sup>1</sup>/<sub>8</sub>"

Weight: 58.9 lbs

### Shipping Dimensions & Weight (WxHxD)

Dimensions: 33<sup>1</sup>/<sub>4</sub>" x 15<sup>7</sup>/<sub>16</sub>" x 22<sup>1</sup>/<sub>8</sub>"

Weight: 65.3 lbs

### Color

Fingerprint Resistant  
Stainless Steel

### Model #

ME11A7710DS

### UPC Code

887276551456

Fingerprint Resistant  
Black Stainless Steel

ME11A7710DG

887276577418

FOR EASIER INSTALLATION AND PERSONAL SAFETY, WE RECOMMEND THAT TWO PEOPLE INSTALL THIS MICROWAVE OVEN. IMPORTANT: Do not grip or use handle during installation.

NOTE: If your cabinet is metal, use the nylon grommet around the power cord hole to prevent cutting of the cord.

NOTE: We recommend using filler blocks if the cabinet front hangs below the cabinet bottom shelf.

IMPORTANT: If filler blocks are not used, case damage may occur from overtightening screws.

NOTE: When mounting the microwave oven, thread power cord through hole in bottom of top cabinet. Do not pinch cord or lift oven by pulling cord.