



ME17R70*1E*

Microwave Oven

user manual

imagine the possibilities

Thank you for purchasing this Samsung product.

SAMSUNG

safety information

Congratulations on your new Samsung microwave oven. This manual contains important information on the installation, use and care of your appliance. Please take time to read this manual to take full advantage of your microwave oven's many benefits and features.

WHAT YOU NEED TO KNOW ABOUT SAFETY INSTRUCTIONS

Warnings and Important Safety Instructions in this manual do not cover all possible conditions and situations that may occur. It is your responsibility to use common sense, caution, and care when installing, maintaining, and operating your microwave oven.

PRECAUTIONS TO AVOID POSSIBLE EXPOSURE TO EXCESSIVE MICROWAVE ENERGY

- A. Do not attempt to operate this oven with the door open since open-door operation can result in harmful exposure to microwave energy. It is important not to defeat or tamper with the safety interlocks.
- B. Do not place any object between the oven front face and the door or allow soil or cleaner residue to accumulate on the sealing surface.
- C. Do not operate the oven if it is damaged. It is particularly important that the oven door closes properly and that:
 1. The door is not bent or damaged
 2. The hinges and latches are not broken or loosened
 3. The door seals and sealing surface are clean and operative.
- D. Only properly qualified service personnel should adjust or repair the oven. Do not attempt to adjust or repair the oven yourself.

IMPORTANT SAFETY SYMBOLS AND PRECAUTIONS

What the icons and signs in this user manual mean:

 WARNING	Hazards or unsafe practices that may result in severe personal injury or death.
 CAUTION	Hazards or unsafe practices that may result in minor personal injury or property damage.
 CAUTION	To reduce the risk of fire, explosion, electric shock, or personal injury when using your microwave oven, follow these basic safety precautions.

	Do NOT attempt.
	Do NOT disassemble.
	Do NOT touch.
	Follow directions explicitly.
	Unplug the power plug from the wall socket.
	Make sure the machine is grounded to prevent electric shock.
	Call the service center for help.
	Note

These warning signs are here to prevent injury to you and others. Please follow them explicitly. After reading this section, keep it in a safe place for future reference.

SAVE THESE INSTRUCTIONS

English - 2

IMPORTANT SAFETY INSTRUCTIONS

When using any electrical appliance, basic safety precautions should be followed, including the following:



WARNING

To reduce risk of burns, electric shock, fire, personal injury or exposure to excessive microwave energy:

1. Read all safety instructions before using the appliance.
2. Read and follow the specific "Precautions to avoid possible exposure to excessive microwave energy" on this page.
3. This appliance must be grounded. Connect only to properly grounded outlets. See Important "Grounding instructions" on page 4 of this manual.
4. Install or locate this appliance only in accordance with the provided installation instructions.
5. Some products such as whole eggs and sealed containers (for example, sealed glass jars), can explode if heated rapidly. Never heat them in a microwave oven.
6. Use this appliance only for its intended use as described in the manual. Do not put corrosive chemicals or vapors in or on this appliance. This type of oven is specifically designed to heat, cook, or dry food. It is not designed for industrial or laboratory use.
7. As with any appliance, close supervision is necessary when it is used by children.
8. Do not operate this appliance if it has a damaged power cord or plug, if it is not working properly, or if it has been damaged or dropped.
9. This appliance should be repaired or serviced only by qualified service personnel. Contact the nearest authorized service facility for examination, repair, or adjustment.
10. Do not cover or block any openings on the appliance.
11. Do not tamper with or make any adjustments or repairs to the door.
12. Do not store this appliance outdoors. Do not use this product near water, for example, near a kitchen sink, in a wet basement, near a swimming pool, or similar locations.
13. Do not immerse the power cord or plug in water.
14. Keep the cord away from heated surfaces. (including the back of the oven).
15. Do not let the cord hang over the edge of a table or counter.
16. When cleaning surfaces of the door and oven that come together when the door closes, use only mild, nonabrasive soaps, or detergents applied with a sponge or soft cloth. Unplug the microwave before cleaning.

17. To reduce the risk of fire in the oven cavity:
 - a. Do not overcook food. Carefully attend appliance when paper, plastic, or other combustible materials are placed inside the oven to facilitate cooking.
 - b. Remove wire twist-ties from paper or plastic bags before placing the bags in the oven.
 - c. If materials inside the oven ignite, keep the oven door closed, turn the oven off, and disconnect the power cord, or shut off the power at the fuse or circuit breaker panel. If the door is opened, the fire may spread.
 - d. Do not use the cavity for storage purposes. Do not leave paper products, cooking utensils, or food in the cavity when it is not in use.
18. Liquids, such as water, milk, coffee, or tea can be overheated beyond the boiling point without appearing to be boiling. Visible bubbling or boiling when the container is removed from the microwave oven is not always present. **THIS COULD RESULT IN VERY HOT LIQUIDS SUDDENLY BOILING OVER WHEN THE CONTAINER IS DISTURBED OR A SPOON OR OTHER UTENSIL IS INSERTED INTO THE LIQUID.** To reduce the risk of injury:
 - a. Do not overheat liquid.
 - b. Stir liquid both before and halfway through heating it.
 - c. Do not use straight-sided containers with narrow necks.
 - d. After heating, allow the container to stand in the microwave oven for a short time before removing the container.
 - e. Use extreme care when inserting a spoon or other utensil into the container.



CAUTION

1. Clean Ventilating Hoods Frequently - Grease should not be allowed to accumulate on the hood or filter.
2. When flaming foods under the hood, turn the fan on.
3. Use care when cleaning the vent-hood filter. Corrosive cleaning agent, such as lye-based oven cleaner, may damage the filter.

SAVE THESE INSTRUCTIONS

English - 3

GROUNDING INSTRUCTIONS

This appliance must be grounded. In the event of an electrical short circuit, grounding reduces the risk of electric shock by providing an escape wire for the electrical current. This appliance is equipped with a cord that includes a grounding wire and a grounding plug. The plug must be plugged into an outlet that is properly installed and grounded.



WARNING

Improper use of the grounding plug can result in a risk of electric shock.

- Plug into a grounded 3 pronged outlet. Do not remove the third (grounding) prong. Do not use an adaptor or otherwise defeat the safety function of the grounding plug.
- Consult a qualified electrician or service person if you do not understand the grounding instructions or if you are not sure if the appliance is properly grounded.
- We do not recommend using an extension cord with this appliance. If the power-supply cord is too short, have a qualified electrician or serviceman install an outlet near the appliance. However, if it is necessary to use an extension cord, read and follow the "Use of Extension Cords" section below.

Use of Extension Cords

A short power-supply cord is provided to reduce the risk of your becoming entangled in or tripping over a longer cord. Longer cord sets or extension cords are available and you can use them if you exercise care. If you use a long cord or extension cord:

1. The marked electrical rating of the cord set or extension cord should be at least as great as the electrical rating of the appliance.
2. The extension cord must be a grounding-type 3-wire cord and it must be plugged into a 3-slot outlet.
3. The longer cord should be arranged so that it will not drape over the counter top or tabletop where it can be pulled on by children or tripped over accidentally. If you use an extension cord, the interior light may flicker and the speed of the blower may vary when the microwave oven is on. Cooking times may be longer, too.



CRITICAL INSTALLATION WARNINGS

- ★ This appliance must be installed by a qualified technician or service company.

- Failing to have a qualified technician install the oven may result in electric shock, fire, an explosion, problems with the product, or injury.

Unpack the oven, remove all packaging material and examine the oven for any damage such as dents on the interior or exterior of the oven, broken door latches, cracks in the door, or a door that is not lined up correctly. If there is any damage, do not operate the oven and notify your dealer immediately.

Make sure to install your oven in a location with adequate space.

- ★ Remove all foreign substances such as dust or water from the power plug terminals and contact points using a dry cloth on a regular basis.

- Unplug the power plug and clean it with a dry cloth.
- Failing to do so may result in electric shock or fire.

Plug the power cord into a properly grounded 3 pronged outlet. Your oven should be the only appliance connected to this circuit.

- Sharing a wall socket with other appliances, using a power strip, or extending the power cord may result in electric shock or fire.
- Do not use an electric transformer. It may result in electric shock or fire.
- Ensure that the voltage, frequency and current provided match the product's specifications. Failing to do so may result in electric shock or fire.

Keep all packaging materials out of the reach of children. Children may use them for play.



This appliance must be properly grounded. Read and follow the specific "Grounding instructions" found in the beginning of this section. Do not ground the appliance to a gas pipe, plastic water pipe, or telephone line.

- This may result in electric shock, fire, an explosion, or problems with the product
- Never plug the power cord into a socket that is not grounded correctly and make sure that it is in accordance with local and national codes.

Do not cut or remove the third (ground) prong from the power cord under any circumstances.

The microwave requires a separate branch circuit single grounded outlet that provides a minimum of 15A and a maximum of 20A.



Do not install this appliance in a humid, oily, or dusty location, or in a location exposed to direct sunlight or water (rain drops).

- This may result in electric shock or fire.

Plug the power plug into the wall socket firmly. Do not use a damaged power plug, damaged power cord, or loose wall socket.

- This may result in electric shock or fire.

Do not mount over a sink.

Do not pull or excessively bend the power cord.

Do not twist or tie the power cord.

Do not hook the power cord over a metal object, place a heavy object on the power cord, insert the power cord between objects, or push the power cord into the space behind the appliance.

- This may result in electric shock or fire.

Do not pull the power cord when you unplug the oven.

- Unplug the oven by pulling the plug only.
- Failing to do so may result in electric shock or fire.



If the power plug or power cord is damaged, contact your nearest Samsung service center for a replacement or repair.

SAVE THESE INSTRUCTIONS



INSTALLATION CAUTIONS



- Position the oven so that the plug is easily accessible.
- Failing to do so may result in electric shock or fire due to electric leakage.



- Unplug the oven when it is not being used for long periods of time or during a thunder/lightning storm.
- Failing to do so may result in electric shock or fire.



CRITICAL USAGE WARNINGS



- If the microwave is flooded, please contact your nearest Samsung service center : Failing to do so may result in electric shock or fire.

Read and follow the specific “Precautions to Avoid Possible Exposure to Excessive Microwave Energy”, found in the beginning of this section.

If the microwave generates a strange noise, a burning smell, or smoke, unplug it immediately and contact your nearest service center.

- Failing to do so may result in electric shock or fire.

In the event of a gas leak (propane gas, LP gas, etc.), ventilate the room immediately. Do not touch the microwave, power cord, or plug.

- Do not use a ventilating fan.
- A spark may result in an explosion or fire.

Take care that the door or any of the other parts do not come into contact with your body while cooking or just after cooking.

- Failing to do so may result in burns.

In the event of a grease fire on the surface units below the oven, smother the flaming pan on the surface unit by covering the pan completely with a lid, a cookie sheet or a flat tray.

Never leave surface units beneath your oven unattended at high heat settings. Boil overs cause smoking and greasy spillovers that may ignite and spread if the vent fan is operating. To minimize automatic fan operation, use adequate sized cookware and use high heat on surface units only when necessary.

If materials inside the oven should ignite, keep the oven door closed, turn the oven off, and disconnect the power cord, or shut off power at the fuse or circuit breaker panel. If the door is opened, the fire may spread.

- Always observe safety precautions when using your oven. Never try to repair the oven on your own. There is dangerous voltage inside. If the oven needs to be repaired, contact an authorized Samsung service center near you.



- Do not attempt to repair, disassemble, or modify the appliance yourself.
- Because a high voltage current enters the product chassis during operation, opening the chassis can result in electric shock or fire.
 - You may be exposed to electromagnetic waves.
 - If the oven requires repair, contact your nearest Samsung service center.



- If any foreign substance such as water enters the microwave, unplug the it and contact your nearest service center.
- Failing to do so may result in electric shock or fire.



- Do not touch the power plug with wet hands.
- This may result in electric shock.
- Do not turn the appliance off by unplugging the power plug while the appliance is in operation.
- Plugging the power plug into the wall socket again may cause a spark and result in electric shock or fire.

Keep all packaging materials well out of the reach of children. Packaging materials can be dangerous to children.

- If a child places a bag over his or her head, the child can suffocate.

Do not let children or any person with reduced physical, sensory, or mental capabilities use this appliance unsupervised.

Make sure that the appliance is out of the reach of children.

- Failing to do so may result in electric shock, burns, or injury.
- Keep children away from the door when opening or closing it as they may bump themselves on the door or catch their fingers in the door.

Do not touch the inside of the appliance immediately after cooking. The inside of the appliance will be hot.

- The heat on the inside of the oven can cause burns.

Do not put aluminum foil (except as specifically directed in this manual), metal objects (such as containers, forks, etc.), or containers with golden or silver rims into the microwave.

- These objects can cause sparks or a fire.

Do not use or place flammable sprays or objects near the oven.

- Heat from the microwave can cause flammable sprays to explode or burn.
- Failing to do so may result in electric shock or injury.

Do not tamper with or make any adjustments or repairs to the door. Under no circumstances should you remove the outer cabinet.

Do not store or use the oven outdoors.

SAVE THESE INSTRUCTIONS

English - 5



USAGE CAUTIONS



If the surface of the microwave is cracked, turn it off.

- Failing to do so may result in electric shock.

Dishes and containers can become hot. Handle with care.

Hot foods and steam can cause burns. Carefully remove container coverings, directing steam away from your hands and face.

Remove lids from baby food before heating. After heating baby food, stir well to distribute the heat evenly. Always test the temperature by tasting before feeding the baby. The glass jar or surface of the food may appear to be cooler than the food in the interior, which can be so hot that it will burn the infant's mouth.

Make sure all cookware used in the oven is suitable for microwaving.

Use microwavable cookware in strict compliance with such manufacturer's recommendations.



Do not stand on top of the microwave or place objects (such as laundry, oven covers, lighted candles, lighted cigarettes, dishes, chemicals, metal objects, etc.) on the appliance.

- Items, such as a cloth, may get caught in the door.
- This may result in electric shock, fire, problems with the product, or injury.

Do not operate the appliance with wet hands.

- This may result in electric shock.

Do not spray volatile material such as insecticide onto the surface of the appliance.

- As well as being harmful to humans, it may also result in electric shock, fire, or problems with the product.

Do not place the appliance over a fragile object such as a sink or glass object.

- This may result in damage to the sink or glass object.

Do not put your face or body close to the appliance while cooking or when opening the door just after cooking.

- Take care that children do not come too close to the appliance.
- Failing to do so may result in children burning themselves.

Do not place food or heavy objects over the door.

- When you open the door, the food or object may fall and this may result in burns or injury.

Do not abruptly cool the door, the inside of the appliance, or the dish by pouring water over it during or just after cooking.

- This may result in damage to the appliance. The steam or water spray may result in burns or injury.

Do not try to preheat the microwave or operate it while empty.

Do not cook without the glass tray in place on the oven floor. Food will not cook properly without the tray.



Do not defrost frozen beverages in narrow-necked bottles. The containers can break.

Do not scratch the glass of the oven door with a sharp object.

- This may result in the glass being damaged or broken.

Do not store anything directly on top of the appliance when it is in operation.

Do not use sealed containers. Remove seals and lids before use. Sealed containers can explode due to a buildup of pressure even after the oven has been turned off.



CRITICAL CLEANING INSTRUCTIONS

Do not clean the appliance by spraying water directly onto it.

Do not use benzene, thinner, or alcohol to clean the appliance.

- This may result in discoloration, deformation, damage, electric shock, or fire.

Before cleaning or performing maintenance, unplug the appliance from the wall socket and remove food waste from the door and cooking compartment.

- Failing to do so may result in electric shock or fire.

Take care not to hurt yourself when cleaning the appliance (external/internal)

- You may hurt yourself on the sharp edges of the appliance.

Do not clean the appliance with a steam cleaner.

- This may result in corrosion.

Keep the inside of the oven clean. Food particles or spattered oils stuck to the oven walls or floor can cause paint damage and reduce the efficiency of the oven.



CALIFORNIA PROPOSITION 65 WARNING

WARNING: Cancer and Reproductive Harm - www.P65Warnings.ca.gov

SAVE THESE INSTRUCTIONS

English - 6

contents

SETTING UP YOUR MICROWAVE OVEN

- 8 8 Checking the parts
- 8 8 Warranty and service information
- 8 8 Setting up your microwave oven
- 9 9 Features
- 9 9 Checking the control panel
- 10 10 Setting the time
- 10 10 Child lock

USING YOUR MICROWAVE OVEN

- 10 10 Kitchen timer button
- 10 10 Add 30 sec button
- 10 10 Vent buttons (☞)
- 10 10 Light hi/lo/off button
- 10 10 Cooking presets buttons
- 11 11 Reheat button
- 12 12 Auto defrost button
- 13 13 Soften/melt button
- 14 14 Microwave cooking times & Power levels
- 14 14 Eco mode

COOKWARE GUIDE

- 15 15 Microwave-safe utensils

COOKING GUIDE

- 16 16 General microwave tips
- 16 16 Cooking meat
- 17 17 Cooking poultry
- 17 17 Cooking seafood
- 17 17 Cooking eggs
- 17 17 Cooking vegetables
- 18 18 Recipes

CLEANING AND MAINTAINING YOUR MICROWAVE OVEN

- 19 19 Cleaning the exterior
- 19 19 Cleaning the interior
- 19 19 Cleaning the turntable and roller rings
- 19 19 Storing and repairing your microwave oven
- 19 19 Replacing the cooktop/night light
- 19 19 Replacing the oven light
- 20 20 Cleaning the grease filter
- 20 20 Replacing the charcoal filter

TROUBLESHOOTING

21

APPENDIX

21

WARRANTY (USA)

22

WARRANTY (CANADA)

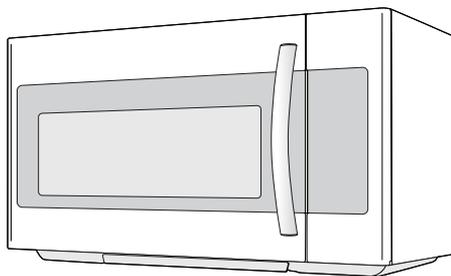
23

setting up your microwave oven

Be sure to follow these instructions closely so that your new microwave oven works properly.

CHECKING THE PARTS

Carefully unpack your microwave oven, and make sure you've received all the parts shown below. If your microwave oven was damaged during shipping, or if you do not have all the parts, contact Samsung Customer Care at 1-800-SAMSUNG (726-7864).



Microwave oven (ME17R70*1E*)



* Glass Tray



* Roller Guide Ring



* Exhaust adaptor



* Grease Filters (2ea)



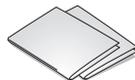
* Charcoal filter



* Hardware kit (Screws & Brackets)



Manuals (User & Installation)



Templates (Top & Wall)

If you need an accessory marked with a *, you can buy it from the Samsung Contact Center (1-800-726-7864).

WARRANTY AND SERVICE INFORMATION

To help us to serve you better, please complete the enclosed registration card and promptly return it by mail. If the registration card is missing, you can call Samsung Electronics, Inc., at **1-800-SAMSUNG (726-7864)** or **register online at www.samsung.com/register**.

When contacting Samsung, please provide the specific model and serial number information which is usually located on the back or bottom of the product. Please record these numbers in the spaces provided below, along with the other requested information. Keep this information in a safe place as a permanent record of your purchase to aid in identification in case of theft or loss. Also keep a copy of your sales receipt as a proof of purchase if warranty service is needed.

MODEL NUMBER _____

SERIAL NUMBER _____

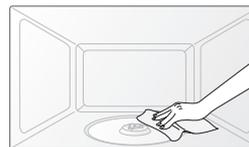
DATE PURCHASED _____

PURCHASED FROM _____

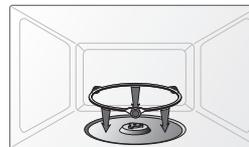
Warranty service can only be performed by a Samsung Authorized Service Center. If you should require warranty service, provide the above information with a copy of your sales receipt to the Samsung Authorized Service Center. For service assistance and the location of the nearest service center, please call **1-800-SAMSUNG (726-7864)**.

SETTING UP YOUR MICROWAVE OVEN

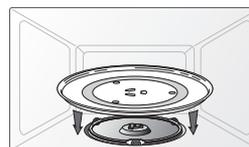
1. Open the door by pulling the handle on the right side of the door.
2. Wipe the inside of the oven with a damp cloth.



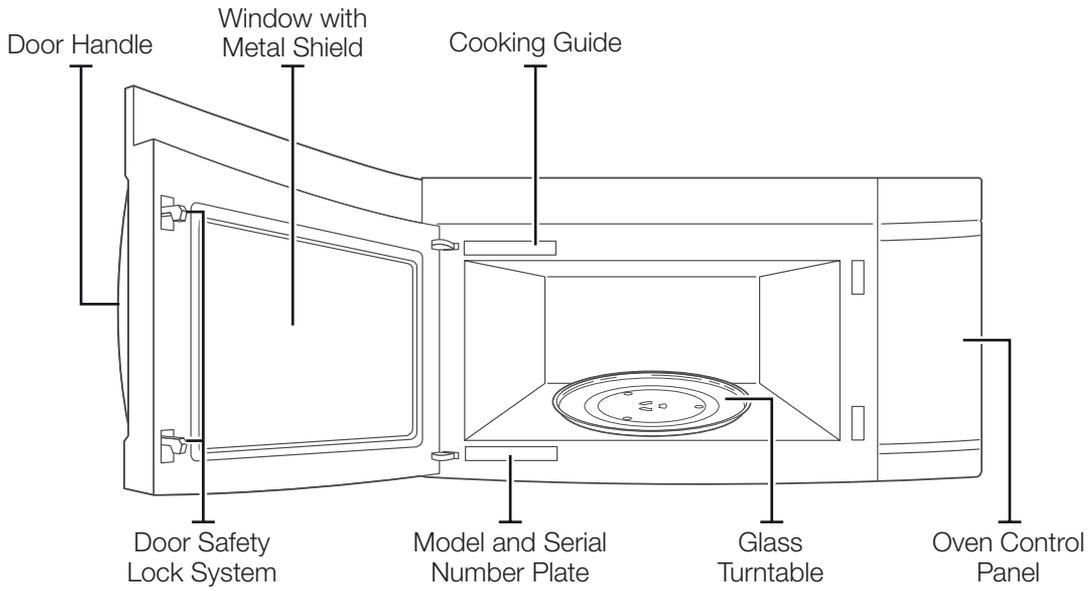
3. Install the pre-assembled ring into the indentation at the center of the microwave oven.



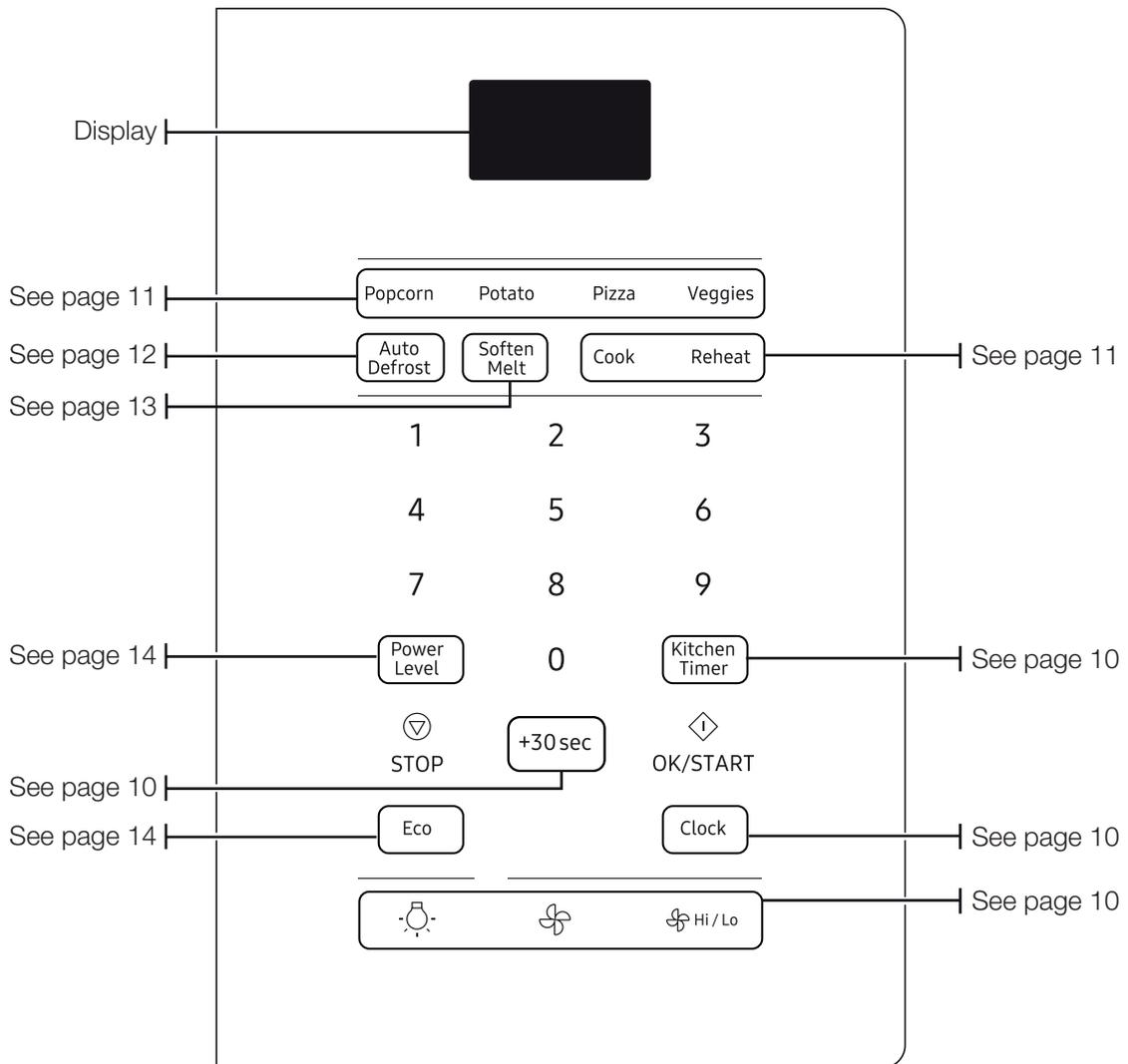
4. Place the glass tray securely in the center of the pre-assembled roller ring.



FEATURES



CHECKING THE CONTROL PANEL



English - 9

SETTING THE TIME

Your microwave oven is equipped with a built-in clock. Set the clock when first installing your microwave oven, after a power failure, and after you have unplugged and then plugged in the power cord. The time is displayed whenever the microwave oven is not being used.

1. Press the **Clock** button.
2. Use the number buttons to enter the current time.
3. Press the **OK/START** button.

CHILD LOCK

The Child Lock function allows you to lock the buttons so that the microwave oven cannot be operated accidentally. The oven can be locked at any time.

Activating/Deactivating

If you want to activate or deactivate the child lock function, press the **OK/START** button for 3 seconds.

using your microwave oven

Cooking has never been easier than with your new Samsung microwave oven.

The following section describes everything you need to know about using your microwave oven.

KITCHEN TIMER BUTTON

Use the Kitchen Timer for timing up to 99 minutes, 99 seconds.

1. Press the **Kitchen Timer** button.
2. Use the number buttons to set the length of time you want the timer to run.
3. Press the **OK/START** button.
4. The display counts down and beeps when the time has elapsed.
5. To cancel the timer setting: Press the **STOP** button once.

ADD 30 SEC BUTTON

This simplified control saves you time, letting you quickly start cooking at 100 % power.

1. Press the **Add 30 sec** button for each 30 seconds you want food to cook. For example, press it twice to cook for one minute, and then press the **OK/START** button to start cooking.
2. Add 30 sec to a cooking program already in progress by pressing the **Add 30 sec** button for every additional 30 seconds you want to add.

VENT BUTTONS (🌀)

The vent removes steam and other vapors from the cooking surface. You can manually select the vent setting.

1. Press the 🌀 Hi / Lo button to set the speed level.
2. Press the 🌀 button to turn the vent on.
3. Press the 🌀 button again to turn the vent off.

LIGHT HI/LO/OFF BUTTON

The 🌞 button allows you to select a light setting for your microwave.

Press (times)	1	2	3
Light	High	Low	Off

COOKING PRESETS BUTTONS

The **Cooking Presets** buttons let you cook favorite foods using preset power levels and times at the touch of a button. If the food is not thoroughly cooked or reheated when you use the Preset buttons, complete the cooking process by selecting a power level and cooking the food for an additional amount of time.



Do not use the **Cooking Presets** buttons continuously. You must let the oven cool for 5 minutes between uses or the food will overcook.

Auto cook table

Cooking Preset Button	Amount or Type	Number of Times to Press	Instructions
Popcorn	3.5 oz. 1 package	once	Heat only one microwave popcorn bag at a time. Be careful when removing and opening the heated bag from the oven. Let the oven cool for at least 5 minutes before using it again.
	3.0-3.5 oz. 1 package	twice	 Do not leave the microwave oven unattended while popcorn is being cooked!
Cook	Beverage Display: Ac-1	once	Use a measuring cup or mug. Do not cover. Place the beverage in the oven. After heating, stir well. Let oven cool for at least 5 minutes before using again. Note: <ul style="list-style-type: none"> • Reheat times are based on an 8 ounce cup. • Beverages heated with the beverage feature may be very hot. • Remove the container with care. Amount : 0.5 cup, 1 cup, 2 cup.
	Bacon Display: Ac-2	twice	Place 2 paper towels on a plate and arrange bacon on towels. Do not overlap. Cover with additional paper towel. Remove the paper towels immediately after cooking. Amount : 2 to 6 slices.
	Frozen Dinner Display: Ac-3	three times	Remove food from outer wrapping and follow box instructions for covering and standing. Let oven cool for at least 5 minutes before using again. Amount : 8 to 14 oz.
	Frozen Breakfast Display: Ac-4	four times	Use this button for frozen sandwiches, breakfast entrees, pancakes, waffles, etc. Follow the package instructions for covering and standing. Let oven cool for at least 5 minutes before using again. Amount : 4 to 8 oz.
Veggies	Fresh vegetables : Fr-1	once	Place 1 to 4 servings of fresh / frozen vegetables in a microwave-safe ceramic, glass, or plastic dish and add 2-4 Tbs. water. Cover with lid or vented plastic wrap to cook. Stir before letting stand for 3 to 5 minutes. Let oven cool for at least 5 minutes before using again.
	Frozen vegetables : Fr-2	twice	
Potato	1 potato	once	Pierce each potato several times with a fork. Place them on the turntable in a spoke-like fashion. After cooking, let the potatoes stand for 3-5 minutes. Let the oven cool for at least 5 minutes before using it again.  Pierce the potatoes with a fork several times before putting them in the microwave oven. The cooking times are based on average 8-10 oz. potatoes.
	2 potatoes	twice	
	3 potatoes	three times	
	4 potatoes	four times	
Pizza	1 slice	once	Put 1-3 slices of pizza on a microwave-safe plate with the wide end of each slice toward the outside edge of the plate. Do not let slices overlap. Do not cover. Let the oven cool for at least 5 minutes before using again.
	2 slice	twice	
	3 slice	three times	

REHEAT BUTTON

The **Reheat** button provides three preset reheating categories.

Category	Number of Times to Press	Display
Plate of food	once	rh-1
Casserole	twice	rh-2
Pasta	three times	rh-3

Example: Reheating 3 servings of casserole.

1. Press the **Reheat** button twice.
2. Press the **number 3** button.
3. Press the **OK/START** button.
4. When the cooking time is over, the oven will beep 4 times and display *End*.

Reheating table

Follow the instructions below when reheating different types of food.

Category	Amount	Directions
Plate of food	1 serving (1 plate)	Use only pre-cooked, refrigerated foods. Cover the plate with a vented plastic wrap or waxed paper tucked under the plate. If the food is not as hot as you would like after using the reheat function, continue heating using additional time and power. Contents: 3-4 oz. meat, poultry, or fish (up to 6 oz. with bone) ½ cup starch (potatoes, pasta, rice, etc.) ½ cup vegetables (about 3-4 oz.)
Casserole	1 to 4 servings	Cover the plate with a lid or vented plastic wrap. If the food is not as hot as you would like after using the reheat function, continue heating using additional time and power. Stir the food once before serving.
Pasta		Contents: 3-4 oz. meat, poultry or fish (up to 6 oz. with bone) ½ cup starch (potatoes, pasta, rice, etc.) ½ cup vegetables (about 3-4 oz.)

 The 'right' temperature of the food varies from person to person. Allow food to stand 1 to 5 minutes before serving.

AUTO DEFROST BUTTON

The auto defrost cycle, with its preset settings, provides you with the best defrosting method for frozen foods, because the oven automatically sets the defrosting times according to the weight you enter. For added convenience, the auto defrost function beeps to remind you to check or turn over the food during the defrost cycle.

Press the **Auto Defrost** button once, and then select the food weight. The available weights range from 0.1 to 6.0 lbs.

1. Press the **Auto Defrost** button.
2. Use the number buttons to enter the weight.
3. Press the **OK/START** button.

 After pressing the **OK/START** button, the display counts down the defrosting time. The oven will beep twice during the defrost cycle. When the oven beeps twice, open the door and turn the food as needed. Remove any thawed portions, then return the frozen portions to the oven and press the **OK/START** button to resume the defrost cycle. Note that the defrost cycle remains active while the oven is beeping, pauses when you open the door to turn the food, and then continues again when you press **OK/START**.

Defrosting tips

When using auto defrost, the entered weight is the net weight in pounds and tenths of pounds (the weight of the food minus the container).

Use the auto defrost cycle for raw food only. The auto defrost cycle gives best results when the food you want to thaw is no colder than 0 °F (taken directly from a true freezer). If food has been stored in a refrigerator-freezer that does not maintain a temperature of 5 °F or below, always program a lower food weight (for a shorter defrosting time) to prevent the food from cooking.

If the food is left outside the freezer for more than 20 minutes, enter a lower food weight.

The shape of the package alters the defrosting time. Shallow rectangular packets defrost more quickly than a thick block.

Separate the pieces as they begin to defrost. Separated pieces defrost more easily.

Shield areas of food with small pieces of foil if they start to become warm.

You can use small pieces of aluminum foil to shield food such as chicken wings, leg tips, and fish tails, but the foil must not touch the sides of the oven as foil causes arcing, which can damage the oven lining.

Auto defrosting table

Follow the instructions below when defrosting different types of food.

category	Standard amount	Procedure
Roast Beef, Pork	2.5-6.0 lbs.	Start with the food placed fat side down. After each stage, turn the food over and shield any warm portions with narrow strips of aluminum foil.
Steaks, Chops, Fish	0.5-3.0 lbs.	After each stage, rearrange the food. If there are any warm or thawed portions of food, shield them with narrow, flat pieces of aluminum foil. Remove any pieces of food that are nearly defrosted. Let stand, covered for 5 - 10 minutes.
Ground Meat	0.5-3.0 lbs.	After each stage, remove any pieces of food that are nearly defrosted. Let stand covered with foil for 5 - 10 minutes.
Whole Chicken	2.5-6.0 lbs.	Remove giblets before defrosting poultry. Start defrosting with the breast side down. After the first stage, turn the chicken over and shield any warm portions with narrow strips of aluminum foil. After the second stage, again shield any warm portions with narrow strips of aluminum foil. Let stand, covered, for 30 - 60 minutes in the refrigerator.
Chicken Pieces	0.5-3.0 lbs.	After each stage, rearrange or remove any pieces of food that are nearly defrosted. Let stand for 10 - 20 minutes.
Bread	0.1 - 2.0 lbs.	Arrange the rolls in a circle on kitchen paper in the middle of the turntable. Turn over halfway through the defrosting time.

SOFTEN/MELT BUTTON

SOFTEN/MELT lets you melt chocolate, soften cream cheese, and melt butter.

Example: To melt chocolate.

1. Touch the **Soften/Melt** button.
2. Choose the food category by pressing the **Soften/Melt** button repeatedly.
3. If required, choose the food amount (1 or 2) by pressing a number button.
4. Touch the **OK/START** button.

Soften / Melt table

Function	Amount or servings	Remarks
Melt chocolate (St-1)	2 squares or 1 cup chips	Place chocolate chips or square in a microwave-safe dish. Stir well at half time when the oven beeps, and re-start the oven. Unless stirred, the chocolate keeps its shape even when heating time is over.
Soften cream cheese (St-2)	1 package (8 oz.)	Unwrap the cream cheese and place on microwave-safe dish. Let stand 1-2 minutes.
Melt butter (St-3)	1 stick (1/4 lb.)	Remove wrapping and cut butter in half vertically. Place butter in dish, cover with wax paper. Stir well after finishing and let stand 1-2 minutes.
	2 sticks (1/2 lb.)	

MICROWAVE COOKING TIMES & POWER LEVELS

The power level lets you control the heating intensity from Warm (1) to High (10).

Cooking at the high power level (10)

1. Use the number buttons to enter the cooking time.
2. Press the **OK/START** button.
3. When the cooking time is over, the oven beeps four times and displays End.

 If you do not enter a power level, the microwave oven cooks at the High Power Level by default.

Cooking at lower power levels

Cooking at high power does not always give you the best results with foods that require slower cooking, such as roasts, baked goods, or custards. Your oven has 9 additional power settings in addition to High.

1. Use the number buttons to enter the cooking time.
2. Press the **Power Level** button.
3. Use the number buttons to enter the power level.
4. Press the **OK/START** button.
5. When the cooking time is over, the oven beeps four times and displays End.

Cooking with more than one cook stage

For best results, some recipes call for one Power Level for a certain length of time, and another Power Level for another length of time. Your oven can be set to change from one to another automatically.

1. Use the number buttons to enter the cook time.
2. Press the **Power Level** button.
3. Use the number buttons to enter the power level.
4. Use the number buttons to enter the second cook time.
5. Press the **Power Level** button.
6. Use the number buttons to enter the power level.
7. Press the **OK/START** button.
8. When the cooking time is over, the oven beeps four times and displays End.

 When selecting more than one cooking stage, you must press the **Power Level** button before you can enter the second cooking stage time and power level.

 Press the **Power Level** button twice to set the power level to High for a cooking stage.

 You cannot use the Auto Defrost function with the multi-stage cooking function.

Power Levels

The 10 power levels allow you to choose the optimal power level for your cooking needs.

Power level	Microwave output	Use
10 (High)	100 %	Boiling water. Cooking ground beef. Making candy. Cooking fresh fruit and vegetables. Cooking fish and poultry. Preheating browning dish. Reheating beverages. Bacon slices.
9	90 %	Reheating meat slices quickly. Sautéing onions, celery, and green pepper
8	80 %	Reheating all types of items (Dinner plate, pasta, meat, soup or sauce, etc.). Cooking scrambled eggs.
7	70 %	Cooking breads and cereal products. Cooking cheese dishes, veal. Cooking cakes, muffins, brownies, cupcakes.
6	60 %	Cooking pasta.
5	50 %	Cooking meats, whole poultry. Heating custard Cooking whole chickens, turkey, spare ribs, rib roasts, sirloin roasts.
4	40 %	Cooking less tender cuts of meat. Reheating frozen convenience foods.
3	30 %	Thawing meat, poultry, and seafood. Cooking small quantities of food. Finishing cooking casserole, stew, and some sauces.
2	20 %	Softening butter and cream cheese. Heating small amounts of food.
1	10 %	Softening ice cream. Raising yeast dough.

ECO MODE

Eco Mode reduces standby power usage.

When you press the **Eco** button once, the display will go out and the microwave shifts to Eco mode which minimizes power usage.

To cancel the **Eco Mode**, press the **Eco** button once again, or press any other button.

cookware guide

For food to cook in the microwave oven, the microwaves must be able to penetrate the food without being reflected or absorbed by the dish. It is important to choose the correct cookware, therefore, look for cookware that is marked microwave-safe.

The following table lists various types of cookware and indicates if and how they should be used in a microwave oven.



MICROWAVE-SAFE UTENSILS

If you are not sure whether an item is microwave-safe, you can perform the following simple test:

1. Place 1 cup of water (in a glass-measuring cup) inside your oven next to the item to be tested.
2. Press the **Add 30 sec** button twice to heat them both for one minute at high power.

After one minute, the water should be warm and the item you are testing should be cool. If the dish is warm, then it is absorbing microwave energy and is not microwave-safe.

Cookware		Comments
Aluminum foil	△	Can be used in small quantities to protect areas against overcooking. Arcing can occur if the foil is too close to the oven wall or you use too much foil.
Browning plate	✓	Do not preheat for more than eight minutes.
Ceramic, porcelain, and stoneware	✓	Porcelain, pottery, glazed earthenware, and bone china are usually suitable, unless decorated with a metal trim.
Disposable polyester cardboard	✓	Some frozen foods are packaged in these materials.
Fast-food packaging		
Polystyrene cups/containers	✓	Can be used to warm food. Overheating may cause the polystyrene to melt.
Paper bags or newspaper	—	May catch fire.
Recycled paper or metal trims	—	May cause arcing.

Cookware		Comments
Glassware		
Oven-to-table ware	✓	Can be used, unless decorated with a metal trim.
Fine glassware	✓	Can be used to warm foods or liquids. Delicate glass may break or crack if heated suddenly.
Glass jars	✓	Regular glass is too thin to be used in a microwave, and can shatter.
Metal		
Dishes, Utensils	—	May cause arcing or fire.
Freezer bag twist ties	—	May cause arcing or fire.
Paper		
Plates, cups, napkins, and kitchen paper	✓	For short cooking times and warming. Also to absorb excess moisture.
Recycled paper	✓	Do not use recycled paper towels, which may contain metal and may catch fire or cause arcing.
Plastic		
Containers	✓	Can be used if heat-resistant thermoplastic. Some plastics may warp or discolor at high temperatures. Do not use Melamine plastic.
Cling film	✓	Can be used to retain moisture. Avoid wrapping the food too tightly. Take care when removing the film. Hot steam will escape.
Freezer bags	△	Only if boilable or oven-proof. Should not be airtight. Pierce with a fork if necessary.
Wax or grease-proof paper	✓	Can be used to retain moisture and prevent spattering.
Thermometer	✓	Use only those marked "Microwave-safe" and follow the directions. Check the temperature in several places. You can use conventional thermometers on the food once the food has been removed from the oven.
Straw, wicker, and wood	△	Use only for short-term heating, as these materials are flammable.

- ✓ : Recommended to use
 △ : Use with Caution
 — : Unsafe to use / Do not use

cooking guide

Microwave energy actually penetrates food, attracted and absorbed by the water, fat, and sugar in the food. The microwaves cause the molecules in the food to move rapidly. The rapid movement of these molecules creates friction and the resulting heat cooks the food.

GENERAL MICROWAVE TIPS

Dense foods, such as potatoes, take longer to heat than lighter foods. Foods with a delicate texture should be heated at a low power level to avoid becoming tough. Foods with a non-porous skin such as potatoes or hot dogs, should be pierced to prevent bursting.

Putting heating oil or fat in the microwave is not recommended. Fat and oil can suddenly boil over and cause severe burns.

Some ingredients heat faster than others. For example, the jelly in the jelly doughnut will be hotter than the dough. Keep this in mind to avoid burns.

The altitude and the type of cookware you are using can affect the cooking time. When trying a new recipe, use the minimum cooking time and check the food occasionally to prevent overcooking.

Home canning in the microwave oven is not recommended because not all harmful bacteria may be destroyed by the microwave heating process.

Although microwaves do not heat the cookware, the heat from the food is often transferred to the cookware. Always use pot holders when removing food from the microwave and instruct children to do the same.

Making candy in the microwave is not recommended as candy can be heated to very high temperatures. Keep this in mind to avoid injury.

Cooking techniques

 If the oven is set to cook for more than 25 minutes, it will automatically adjust to 70 percent power after 25 minutes to avoid overcooking.

Stirring

Open the microwave door and stir foods such as casseroles and vegetables occasionally while cooking to distribute heat evenly. Food at the outside of the dish absorbs more energy and heats more quickly, so stir from the outside towards the center. The oven will turn off when you open the door to stir your food.

Arrangement

Arrange unevenly shaped foods, such as chicken pieces or chops, with the thicker, meatier parts toward the outside of the turntable where they can receive more microwave energy. To prevent overcooking, place thin or delicate parts towards the center of the turntable.

Shielding

Shield food with narrow strips of aluminum foil to prevent overcooking. Areas that need shielding include poultry wing-tips, the ends of poultry legs, and corners of square baking dishes. Use only small amounts of aluminum foil. Larger amounts can damage your oven.

Turning

Turn foods over midway through the cooking cycle to expose all parts to the microwave energy. This is especially important with large items such as roasts.

Standing

Foods cooked in the microwave build up internal heat and continue to cook for a few minutes after the oven stops. Let foods stand to complete the cooking process, especially foods such as roasts and whole vegetables. Roasts need this time to complete cooking in the center without overcooking the outer areas. All liquids, such as soup or hot chocolate should be shaken or stirred when cooking is complete. Let liquids stand a moment before serving. When heating baby food, stir well and test the temperature before serving.

Adding moisture

Microwave energy is attracted to water molecules. Food that is uneven in moisture content should be covered or allowed to stand so that the heat disperses evenly. Add a small amount of water to dry food to help it cook.

Venting

After covering a dish with plastic wrap, vent the plastic wrap by turning back one corner to let excess steam escape.

COOKING MEAT

Place the meat fat side down on a microwave-safe roasting rack in a microwave-safe dish. Use narrow strips of aluminum foil to shield any bone tips or thin pieces of meat. Check the temperature in several places before letting the meat stand the recommended time. The following temperatures are the removal temperatures. The temperature of the food will rise during standing time.

Food	Cooking time/ Power level	Instructions
Roast beef (boneless) Up to 4 lbs.	Cooking Time: 10-15 min./lb. for 145 °F - Rare 12-17 min./lb. for 160 °F - Medium 14-19 min./lb. for 170 °F - Well Done	Place the roast fat-side down on the roasting rack and cover with wax paper. Turn over halfway through the cooking process. Let stand for 10 to 15 minutes.
	Power Level: High (10) for first 5 minutes, then Medium (5).	
Pork (boneless or bone-in) Up to 4 lbs.	Cooking Time: 15-20 min./lb. at 170 °F Well Done	Place the pork fat-side down on the roasting rack and cover with wax paper. Turn over halfway through cooking process. Let stand for 10 to 15 minutes.
	Power Level: High (10) for first 5 minutes, then Medium (5).	

The following temperatures are the removal temperatures. The temperature of the food will rise during standing time. Expect a 10 °F rise in temperature during the standing time.

Food		Remove from oven	After standing (10 MIN.)
Beef	Rare	135 °F	145 °F
	Medium	150 °F	160 °F
	Well Done	160 °F	170 °F
Pork	Medium	150 °F	160 °F
	Well Done	160 °F	170 °F
Poultry	Dark meat	170 °F	180 °F
	Light meat	160 °F	170 °F

COOKING POULTRY

Place the poultry on a microwave-safe roasting rack in a microwave-safe dish and cover with wax paper to prevent spattering. Use aluminum foil to shield the bone tips, thin pieces of meat, or areas that may start to overcook. Check the temperature in several places before letting the poultry stand the recommended time.

Food	Cooking time/ Power level	Instructions
Whole chicken Up to 4 lbs.	Cooking Time: 6-10 min./lb. 180 °F dark meat 170 °F light meat	Place the chicken breast-side down on the roasting rack. Cover with wax paper. Turn over half way through cooking process. Cook until the juices run clear and the meat near the bone is no longer pink. Let stand for 5-10 minutes.
	Power Level: Medium High (7).	
Chicken pieces Up to 2 lbs.	Cooking Time: 6-9 min./lb. 180 °F dark meat 170 °F light meat	Place the chicken bone-side down on the dish, with the thickest portions towards the outside of the dish. Cover with wax paper. Turn over halfway through the cooking process. Cook until the juices run clear and the meat near the bone is no longer pink. Let stand for 5-10 minutes.
	Power Level: Medium High (7).	

COOKING SEAFOOD

Place the fish on a microwave-safe roasting rack in a microwave-safe dish. Use a tight cover to steam the fish. A lighter cover of wax paper or paper towel will decrease steaming. Cook the fish until it flakes easily with a fork. Do not overcook fish. Check it after the minimum cooking time.

Food	Cooking time/ Power level	Instructions
Tuna steaks and salmon steaks Up to 1.5 lbs.	Cooking Time: 7-11 min./lb. Power Level: Medium-High (7).	Arrange the steaks on a roasting rack with the meaty portions towards the outside of the rack. Cover with wax paper. Turn them over halfway through the cooking process. Cook until the fish flakes easily with a fork. Let stand for 3-5 minutes.
Filletts Up to 1.5 lbs.	Cooking Time: 4-8 min./lb. Power Level: Medium-High (7).	Arrange the filletts in a baking dish, tucking any thin pieces under. Cover with wax paper. If the filletts are thicker than ½ in., turn them over halfway through the cooking process. Cook until the fish flakes easily with a fork. Let stand for 2-3 minutes.
Shrimp Up to 1.5 lbs.	Cooking Time: 4-6½ min./lb. Power Level: Medium-High (7).	Arrange the shrimp in a baking dish without overlapping or layering them. Cover with wax paper. Cook until firm and opaque, stirring 2 or 3 times. Let stand for 5 minutes.

COOKING EGGS

You can use your microwave oven to cook eggs. Cook them until they are just set as they become tough if they are overcooked.



Never cook eggs in their shells and never warm up hard-boiled eggs in their shells. Eggs cooked or warmed up in their shells can explode. Always pierce whole eggs to keep them from bursting.

COOKING VEGETABLES

Vegetables should be washed prior to cooking. Usually, no extra water is needed. When cooking dense vegetables such as potatoes, carrots, and green beans, add about ¼ cup water.

Small vegetables (sliced carrots, peas, lima beans, etc.) will cook faster than larger ones.

Whole vegetables, such as potatoes, acorn squash, or corn on the cob, should be arranged in a circle on the turntable before cooking. They will cook more evenly if turned over halfway through the cooking process.

Always place vegetables such as asparagus and broccoli with the stems pointing towards the edge of the dish and

the tips toward the center.

When cooking cut vegetables, always cover the dish with a lid or vented microwavable plastic wrap.

Whole, unpeeled vegetables such as potatoes, squash, eggplant, etc., should have their skins pierced in several spots before cooking to prevent them from bursting.

For a more even cooking result, stir or rearrange whole vegetables halfway through the cook time.

Generally, the denser the food, the longer the standing time. (The standing time refers to the time necessary for dense, large foods and vegetables to finish cooking after they come out of the oven.) A baked potato can stand on the counter for five minutes before cooking is completed, while a dish of peas can be served immediately.

RECIPES

Beef and barley stew

- 1½ lbs. beef stew cubes, cut into ½-inch pieces
- ½ cup chopped onion
- 2 Tbs. all-purpose flour
- 1 Tbs. Worcestershire sauce
- 1 can (13.75-14.5 oz.) beef broth
- 2 medium carrots, cut into ½-inch slices (about 1 cup)
- ½ cup barley
- 1 bay leaf
- ¼ tsp. pepper
- 1 pkg. (9-10 oz.) frozen peas, thawed

1. In a 2-quart casserole, combine the beef, onion, flour, and Worcestershire sauce and mix well. Cover with lid. Cook at High for 6 to 8 minutes until the beef is no longer pink, stirring once.
2. Stir in beef broth, carrots, barley, bay leaves, and pepper. Cover with lid. Cook at Medium for 1 to 1½ hours until carrots and beef are tender, stirring 2 to 3 times.
3. Stir in peas. Cover with lid. Cook at Medium for 10 minutes. Let stand for 10 minutes. Remove bay leaves before serving.

Makes 6 servings.

Broccoli and cheese casserole

- ¼ cup butter or margarine
- ¼ cup chopped onion
- 1½ Tbs. flour
- ½ tsp. salt
- ¼ tsp. dry mustard
- ⅛ tsp. pepper
- 1½ cups milk
- ¼ cup chopped red pepper
- 8 oz. (2 cups) cheddar cheese, shredded
- 1 pkg. (9-10 oz.) frozen chopped broccoli, thawed
- 4 cups cooked spiral shaped pasta (8 oz. dry)

1. In a 2-quart casserole, cook butter and onion at High for 1 to 2 minutes until the onion is soft, stirring once.
2. Add flour, salt, mustard, and pepper; mix well. Cook at High for 30 to 60 seconds until mixture boils. Stir in milk until smooth.
3. Stir in red pepper. Cook at High for 2 to 3 minutes until mixture boils and thickens slightly, stirring twice. Stir in cheese until melted.
4. Add broccoli and pasta, mix well. Cover with lid. Cook at High for 4 to 6 minutes until heated through, stirring once. Stir before serving.

Makes 6 servings.

Warm potato salad

- 2 lbs. small red potatoes, cut into ½-inch pieces
- 4 slices bacon (uncooked), cut into ½-inch pieces
- ¼ cup chopped onion
- 2 tsp. sugar
- 1 tsp. salt
- 1 tsp. flour
- ½ tsp. celery seed
- ⅛ tsp. pepper
- 2½ Tbs. apple cider vinegar

1. In a 2-quart casserole, combine the potatoes and ¼ cup water. Cover with lid. Cook at High until the potatoes are tender (7-10 minutes); stir twice. Drain and set aside to cool slightly.
2. In a medium bowl, cook the bacon at High until crisp (2½-3½ minutes); stir once. Place the bacon on a paper towel. Reserve 1 Tbs. drippings.
3. Combine the drippings and onion. Cover with plastic wrap; turn a corner back to vent steam. Cook at High until tender (1½-2½ minutes); stir once.
4. Stir in sugar, salt, flour, celery seed, and pepper. Cook at High until mixture boils (30-40 seconds). Stir in vinegar and ½ cup water. Cook at High until liquid boils and thickens slightly (1-2 minutes); stir once. Add bacon to dressing. Pour dressing over potatoes. Stir well.

Makes 6 servings.

Black bean soup

- 1 cup chopped onion
- 1 clove garlic, minced
- 2 cans (15 oz. each) black beans, drained
- 1 can (14-16 oz.) stewed tomatoes, chopped
- 1 can (13.75-14.5 oz.) chicken broth
- 1 can (7-8.5 oz.) corn
- 1 can (4 oz.) chopped green chilies
- 1-2 tsp. ground cumin

1. Place the onion and garlic in a 3-quart casserole. Cover with lid. Cook at High for 2 to 4 minutes until tender.
2. Add one can of beans, and mash the beans with a fork. Add remaining ingredients and mix well.
3. Cook uncovered at High for 10 minutes; stir. Reduce power to Medium and cook for 5 minutes. Stir before serving.

Makes about 2 quarts.

cleaning and maintaining your microwave oven

Keeping your microwave oven clean improves its performance, wards off unnecessary repairs, and lengthens its life.

CLEANING THE EXTERIOR

It's best to clean spills on the outside of your microwave oven as they occur. Use a soft cloth and warm, soapy water. Rinse and dry.



Do not get water into the vents. Never use abrasive products or chemical solvents such as ammonia or alcohol as they can damage the appearance of your microwave.

Cleaning under your microwave oven

Regularly clean grease and dust from the bottom of your microwave using a solution of warm water and detergent.

Cleaning the control panel

Wipe with a damp cloth and dry thoroughly. Do not use cleaning sprays, large amounts of soap and water, abrasives, or sharp objects on the panel as it is easily damaged.

Cleaning the door and door seals

Always ensure that the door seals are clean and that the door closes properly. Take particular care when cleaning the door seals to ensure that no particles accumulate and prevent the door from closing correctly. Wash the glass door with very mild soap and water. Be sure to use a soft cloth to avoid scratching.

If a thin film of water accumulates on the inside or outside of the oven door, wipe it off with a soft cloth. A thin water film can accumulate when you operate the oven when humidity is high and in no way indicates microwave leakage.

CLEANING THE INTERIOR



Ensure that the microwave oven has cooled down before cleaning it to avoid injury.



Remove the glass tray from the oven when cleaning the oven or tray. To prevent the tray from breaking, handle it with care and do not put it in water immediately after cooking. Wash the tray carefully in warm sudsy water or in the dishwasher.

Clean the interior surfaces (oven cavity) of your microwave oven periodically to remove any splashes or stains. To remove hardened food articles and remove smells, place 2 cups of water (add lemon juice for extra freshness) into a four-cup measuring glass. Run the microwave at High power for 5 minutes or until the water boils. Let the water stand in the oven for one or two minutes.

CLEANING THE TURNTABLE AND ROLLER RINGS

Clean the roller rings periodically and wash the turntable as required. You can wash the turntable safely in your dishwasher.

STORING AND REPAIRING YOUR MICROWAVE OVEN

If you need to store your microwave oven for a short or extended period of time, choose a dust-free, dry location. Dust and dampness may adversely affect the ability of the microwave parts.

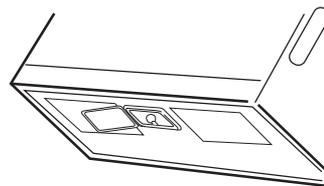


- Do not repair, replace, or service any part of your microwave oven yourself. Allow only a qualified service technician to perform repairs. If the oven is faulty and needs servicing, or you are in doubt about its condition, unplug the oven from the power outlet and contact your nearest Samsung service center.
- Do not use the oven if it is damaged, in particular, if the door or door seals are damaged. Door damage includes a broken hinge, a worn out seal, or a distorted/bent casing.
- Do not remove the oven from its casing.
- This microwave oven is for home use only and is not intended for commercial use.

REPLACING THE COOKTOP/NIGHT LIGHT

When replacing the cooktop/night light, make sure that you are wearing gloves to avoid injury from the heat of the bulb.

1. Unplug the oven or turn off the power at the main power supply.
2. Remove the screw from the light cover and lower the cover.
3. Replace the bulb with a 40 watt incandescent bulb.
4. Replace the light cover and mounting screw.
5. Turn the power back on at the main power supply or plug the microwave in.

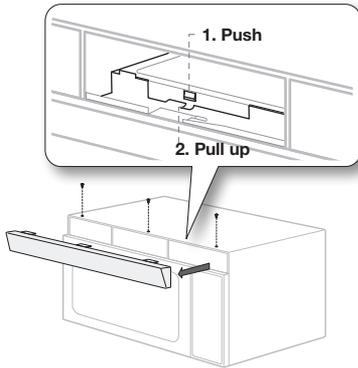


REPLACING THE OVEN LIGHT

When replacing the oven light, make sure that you are wearing gloves to avoid injury from the heat of the bulb.

1. Unplug the oven or turn off the power at the main power supply.
2. Open the door.
3. Remove the vent cover mounting screws (3 middle screws).
4. Slide the vent grille to the left, then pull it straight out.
5. Remove the charcoal filter, if present.

6. Remove the cover by pushing the hook and pulling up the lever.
7. Remove the bulb by turning it gently.
8. Replace the bulb with a 40 watt appliance bulb.
9. Replace the bulb holder.
10. Replace the vent grille and the 3 screws.
11. Turn the power back on or plug the microwave in.



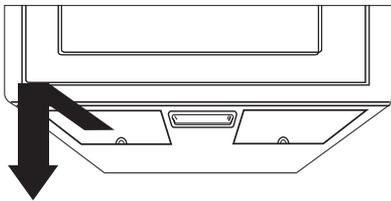
CLEANING THE GREASE FILTER

Your microwave oven has two metal reusable grease filters. The grease filters should be removed and cleaned at least once a month or as required.



To avoid risk of personal injury or property damage, do not operate the oven hood without the filters in place.

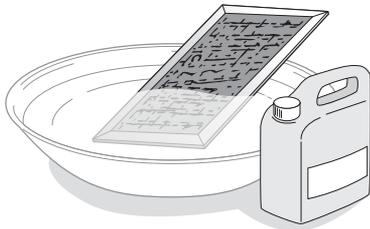
1. To remove the filter, slide it to the left (or right) using the tab.



2. Soak the grease filter in hot water and a mild detergent. Rinse well and shake to dry. Brushing the filter lightly can remove embedded dirt.



Do not use ammonia or try to dry the grease filter in the microwave oven. The aluminum will darken.

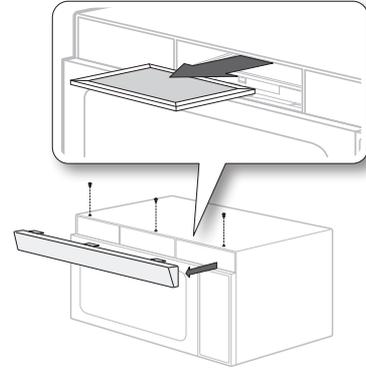


3. To re-install the filter, slide it into the frame slot on the left (or right), and then push it upwards and to the right (or left) to lock it.

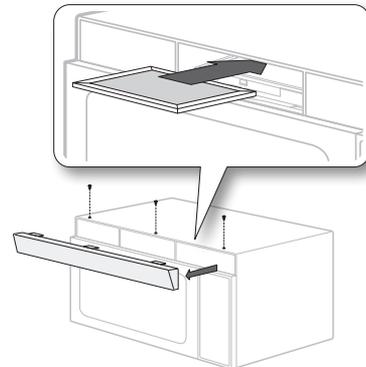
REPLACING THE CHARCOAL FILTER

If your oven is vented to the inside, the charcoal filter should be replaced every 6 to 12 months and more often if necessary. The charcoal filter cannot be cleaned. To order a new charcoal filter, contact SamsungParts at 1-800-627-4368 or your Samsung dealer. You can also order online at www.samsungparts.com

1. Unplug the oven or turn off the power at the main power supply.
2. Open the door.
3. Remove the vent grille mounting screws (3 middle screws).
4. Slide the vent grille to the left, then pull it straight out.
5. Push the hook, and then remove the old filter.



6. Slide a new charcoal filter into place. The filter should rest at the angle shown.
7. Replace the vent grille and 3 screws, and then close the door. Turn the power back on, and then set the clock.



troubleshooting

Check these solutions if you have a problem with your microwave:

Problem	Solutions
The display and/or the oven is not working.	Make sure the plug is properly connected to a grounded outlet. If the wall outlet is controlled by a wall switch, make sure the wall switch is turned on. Remove the plug from the outlet, wait ten seconds, and plug it in again. Reset the circuit breaker or replace any blown fuses. Plug a different appliance into the outlet. If the other appliance doesn't work, call a qualified electrician to repair the wall outlet. Plug the oven into a different outlet.
The display is working, but the power won't come on.	Make sure the door is closed securely. Check if any packaging material or anything else is stuck in the door seal. Check if the door is damaged. Touch Cancel twice and enter all the cooking instructions again.
Is the power going off before the set time has elapsed?	If there was a power outage, the time indicator will display: 88:88. If no power outage occurred, remove the plug from the outlet, wait ten seconds, and plug it in again. Reset the clock and any cooking instructions. Reset the circuit breaker or replace any blown fuses.
Cooks food too slowly.	Make sure the oven has its own 15 or 20 amp circuit line. Operating another appliance on the same circuit can cause a voltage drop. If necessary, move the oven to its own circuit.
Has sparks or arcing.	Remove any metallic utensils, cookware, or metal ties. If using foil, use only narrow strips and allow at least one inch between the foil and the interior oven walls.
The turntable makes noise or becomes stuck.	Clean the turntable, roller ring, and oven floor. Make sure the turntable and roller ring are positioned correctly.
Causes TV or radio interference.	This is similar to interference caused by other small appliances, such as hair dryers. Move your microwave (or appliance) away from the affected appliances, such as your TV or radio.
Vent Motor suction force is too weak.	Set the vent mode to high. The Vent Fan will only operate in low speed mode while the microwave is working.
Operating noise is too loud.	The microwave makes noise during operation. This is normal. If you hear an abnormal sound continuously, please contact the Samsung Call Center (1-800-726-7864).

Problem	Solutions
Cook top lamp is too dim.	Set the lamp brightness level to high.
Difficult to replace Charcoal Filter.	Please refer to the instructions for replacing the charcoal filter in the user's manual.
Turntable rotates improperly.	Make sure you have not put too much food on the turntable. If the food is too large or too heavy, the turntable may operate improperly.

appendix

Specifications

Model number	ME17R7021E*/AA/A2	
Oven Cavity : 1.7 cu ft	Timer : 99 minutes, 99 seconds	Controls : 10 power levels, including defrost
Power Source : 120 V AC, 60 Hz	Power Output : 1000 Watts	Power Consumption : 1580 Watts
Net/Shipping Weight	ST : 48.3 / 55.1 lbs B/W : 47.0 / 54.0 lbs	
Outside Dimensions	29 ⁷ / ₈ "(W) X 17 ¹ / ₁₆ "(H) X 16 ¹ / ₂ "(D)	
Oven Cavity Dimensions	19 ⁵ / ₁₆ "(W) X 9 ⁵ / ₈ "(H) X 14 ³ / ₈ "(D)	
Shipping Dimensions	33 ¹¹ / ₃₂ "(W) X 20 ²⁵ / ₃₂ "(H) X 19 ³ / ₈ "(D)	
Model number	ME17R70*1E*/AC	
Oven Cavity : 1.7 cu ft	Timer : 99 minutes, 99 seconds	Controls : 10 power levels, including defrost
Power Source : 120 V AC, 60 Hz	Power Output : 1000 Watts	Power Consumption : 1500 Watts
Net/Shipping Weight	ST : 48.3 / 55.1 lbs B/W : 47.0 / 54.0 lbs	
Outside Dimensions	29 ⁷ / ₈ "(W) X 17 ¹ / ₁₆ "(H) X 16 ¹ / ₂ "(D)	
Oven Cavity Dimensions	19 ⁵ / ₁₆ "(W) X 9 ⁵ / ₈ "(H) X 14 ³ / ₈ "(D)	
Shipping Dimensions	33 ¹¹ / ₃₂ "(W) X 20 ²⁵ / ₃₂ "(H) X 19 ³ / ₈ "(D)	

warranty (USA)

SAMSUNG OVER-THE-RANGE (OTR) MICROWAVE OVEN

LIMITED WARRANTY TO ORIGINAL PURCHASER WITH PROOF OF PURCHASE

This SAMSUNG brand product, as supplied and distributed by SAMSUNG ELECTRONICS AMERICA, INC. (SAMSUNG) and delivered new, in the original carton to the original consumer purchaser, is warranted by SAMSUNG against manufacturing defects in materials or workmanship for the limited warranty period, starting from the date of original purchase, of:

One (1) Year Parts and Labor

Ten (10) Years Magnetron Part (Part Only)

This limited warranty is valid only on products purchased and used in the United States that have been installed, operated, and maintained according to the instructions attached to or furnished with the product. To receive warranty service, the purchaser must contact SAMSUNG at the address or phone number provided below for problem determination and service procedures.

Warranty service can only be performed by a SAMSUNG authorized service center. The original dated bill of sale must be presented upon request as proof of purchase to SAMSUNG or SAMSUNG's authorized service center to receive warranty service.

SAMSUNG will provide in-home service within the contiguous United States during the warranty period at no charge, subject to availability of SAMSUNG authorized servicers within the customer's geographic area. If in-home service is not available, SAMSUNG may elect, at its option, to provide transportation of the product to and from an authorized service center. If the product is located in an area where service by a SAMSUNG authorized servicer is not available, you may be responsible for a trip charge or required to bring the product to a SAMSUNG authorized service center for service.

To receive in-home service, product must be unobstructed and accessible to the service agent.

During the applicable warranty period, a product will be repaired, replaced, or the purchase price refunded, at the sole option of SAMSUNG. SAMSUNG may use new or reconditioned parts in repairing a product, or replace the product with a new or reconditioned product. Replacement parts and products are warranted for the remaining portion of the original product's warranty or ninety (90) days, whichever is longer. All replaced parts and products are the property of SAMSUNG and you must return them to SAMSUNG.

This limited warranty covers manufacturing defects in materials or workmanship encountered in normal household, noncommercial use of this product and shall **not** cover the following: damage that occurs in shipment, delivery, installation, and uses for which this product was not intended; damage caused by unauthorized modification or alteration of the product; product where the original factory serial numbers have been removed, defaced, changed in any way, or cannot be readily determined; cosmetic damage including scratches, dents, chips, and other damage to the product's finishes; damage caused by abuse, misuse, overheating due to overcooking, glass tray or turntable, pest infestations, accident, fire, floods, or other acts of nature or God; damage caused by use of equipment, utilities, services, parts, supplies, accessories, applications, installations, repairs, external wiring or connectors not supplied or authorized by

SAMSUNG; damage caused by incorrect electrical line current, voltage, fluctuations and surges; damage caused by failure to operate and maintain the product according to instructions; in-home instruction on how to use your product; service to correct installation not in accordance with electrical or plumbing codes or correction of household electrical or plumbing (i.e., house wiring, fuses, or water inlet hoses); and reduced magnetron power output related to normal aging.

The cost of repair or replacement under these excluded circumstances shall be the customer's responsibility.

Visits by an authorized servicer to explain product functions, maintenance or installation are not covered by this limited warranty. Please contact SAMSUNG at the number below for assistance with any of these issues.

Samsung will charge a repair fee for replacing an accessory or repairing cosmetic damage if the damage to the unit and/or damage to or loss of the accessory was caused by the customer. Items this covers include:

- Dented, scratched, or broken door, handle, out-panel, or control panel
- Broken or lost tray, guide roller, coupler, filter, or wire rack

Parts that SAMSUNG has determined can be replaced by the user may be sent to the customer for installation. In SAMSUNG's discretion, an authorized servicer can be dispatched to perform such installation.

EXCLUSION OF IMPLIED WARRANTIES

IMPLIED WARRANTIES, INCLUDING THE IMPLIED WARRANTIES OF MERCHANTABILITY OR FITNESS FOR A PARTICULAR PURPOSE, ARE LIMITED TO ONE YEAR OR THE SHORTEST PERIOD ALLOWED BY LAW. Some states do not allow limitations on how long an implied warranty lasts, so the above limitations or exclusions may not apply to you. This warranty gives you specific rights, and you may also have other rights, which vary from state to state.

LIMITATION OF REMEDIES

YOUR SOLE AND EXCLUSIVE REMEDY IS PRODUCT REPAIR, PRODUCT REPLACEMENT, OR REFUND OF THE PURCHASE PRICE AT SAMSUNG'S OPTION, AS PROVIDED IN THIS LIMITED WARRANTY. SAMSUNG SHALL NOT BE LIABLE FOR SPECIAL, INCIDENTAL OR CONSEQUENTIAL DAMAGES, INCLUDING BUT NOT LIMITED TO TIME WAY FROM WORK, HOTELS AND/OR RESTAURANT MEALS, REMODELING EXPENSES, LOSS OF REVENUE OR PROFITS, FAILURE TO REALIZE SAVINGS OR OTHER BENEFITS REGARDLESS OF THE LEGAL THEORY ON WHICH THE CLAIM IS BASED, AND EVEN IF SAMSUNG HAS BEEN ADVISED OF THE POSSIBILITY OF SUCH DAMAGES. Some states do not allow exclusion or limitation of incidental or consequential damages, so the above limitations or exclusions may not apply to you. This warranty gives you specific rights, and you may also have other rights, which vary from state to state.

SAMSUNG does not warrant uninterrupted or error-free operation of the product. No warranty or guarantee given by any other person, firm, or corporation with respect to this product shall be binding on SAMSUNG.

To obtain warranty service, please contact SAMSUNG at: Samsung Electronics America, Inc.
85 Challenger Road
Ridgefield Park, NJ 07660

**1-800-SAMSUNG (726-7864) and
www.samsung.com/us/support**

SAMSUNG OVER-THE-RANGE (OTR) MICROWAVE OVEN

Limited warranty to original purchaser

This SAMSUNG brand product, as supplied and distributed by Samsung Electronics Canada, Inc. (SAMSUNG) and delivered new, in the original carton to the original consumer purchaser, is warranted by SAMSUNG against manufacturing defects in materials and workmanship for a limited warranty period of:

ONE (1) YEAR PARTS AND LABOR, FIVE (5) YEARS PARTS WARRANTY FOR MAGNETRON

Samsung will charge a repair fee for replacing an accessory or repairing a cosmetic defect if the damage to the unit and/or damage to or loss of the accessory was caused by the customer. Items this stipulation covers include:

- A Dented, Scratched, or Broken Door, Handle, Out-Panel, or Control Panel
- A Broken or missing Tray, Guide Roller, Coupler, Filter, or Wire Rack

User Replaceable Parts may be sent to the customer for unit repair. If necessary, a Service Engineer can be dispatched to perform service.

This limited warranty begins on the original date of purchase, and is valid only on products purchased and used in the Canada. To receive warranty service, the purchaser must contact SAMSUNG for problem determination and service procedures. Warranty service can only be performed by a SAMSUNG authorized service center. The original dated bill of sale must be presented upon request as proof of purchase to SAMSUNG or SAMSUNG's authorized service center.

SAMSUNG will repair or replace this product, at our option and at no charge as stipulated herein, with new or reconditioned parts or products if found to be defective during the limited warranty period specified above. All replaced parts and products become the property of SAMSUNG and must be returned to SAMSUNG. Replacement parts and products assume the remaining original warranty, or ninety (90) days, whichever is longer.

In-home service will be provided during the warranty labor period subject to availability within the contiguous Canada. In-home service is not available in all areas. To receive in-home service, the product must be unobstructed and accessible to service personnel. If during in-home service repair can not be completed, it may be necessary to remove, repair and return the product. If in-home service is unavailable, SAMSUNG may elect, at our option, to provide for transportation of our choice to and from a SAMSUNG authorized service center. Otherwise, transportation to and from the SAMSUNG authorized service center is the responsibility of the purchaser.

This limited warranty covers manufacturing defects in materials and workmanship encountered in normal, noncommercial use of this product and shall not apply to the following, including, but not limited to: damage which occurs in shipment; delivery and installation; applications and uses for which this product was not intended; altered product or serial numbers; cosmetic damage or exterior finish; accidents, abuse, neglect, fire, water, lightning or other acts of nature; use of products, equipment, systems, utilities, services, parts, supplies, accessories, applications, installations, repairs, external wiring or connectors not supplied or authorized by SAMSUNG which damage this product or result

in service problems; incorrect electrical line voltage, fluctuations and surges; customer adjustments and failure to follow operating instructions, cleaning, maintenance and environmental instructions that are covered and prescribed in the instruction book; problems caused by pest infestations, and overheating or overcooking by user; glass tray or turntable; reduced magnetron power output related to normal aging. SAMSUNG does not warrant uninterrupted or error-free operation of the product.

THERE ARE NO EXPRESS WARRANTIES OTHER THAN THOSE LISTED AND DESCRIBED ABOVE, AND NO WARRANTIES WHETHER EXPRESS OR IMPLIED, INCLUDING, BUT NOT LIMITED TO, ANY IMPLIED WARRANTIES OF MERCHANTABILITY OR FITNESS FOR A PARTICULAR PURPOSE, SHALL APPLY AFTER THE EXPRESS WARRANTY PERIODS STATED ABOVE, AND NO OTHER EXPRESS WARRANTY OR GUARANTY GIVEN BY ANY PERSON, FIRM OR CORPORATION WITH RESPECT TO THIS PRODUCT SHALL BE BINDING ON SAMSUNG. SAMSUNG SHALL NOT BE LIABLE FOR LOSS OF REVENUE OR PROFITS, FAILURE TO REALIZE SAVINGS OR OTHER BENEFITS, OR ANY OTHER SPECIAL, INCIDENTAL OR CONSEQUENTIAL DAMAGES CAUSED BY THE USE, MISUSE OR INABILITY TO USE THIS PRODUCT, REGARDLESS OF THE LEGAL THEORY ON WHICH THE CLAIM IS BASED, AND EVEN IF SAMSUNG HAS BEEN ADVISED OF THE POSSIBILITY OF SUCH DAMAGES. NOR SHALL RECOVERY OF ANY KIND AGAINST SAMSUNG BE GREATER IN AMOUNT THAN THE PURCHASE PRICE OF THE PRODUCT SOLD BY SAMSUNG AND CAUSING THE ALLEGED DAMAGE. WITHOUT LIMITING THE FOREGOING, PURCHASER ASSUMES ALL RISK AND LIABILITY FOR LOSS, DAMAGE OR INJURY TO PURCHASER AND PURCHASER'S PROPERTY AND TO OTHERS AND THEIR PROPERTY ARISING OUT OF THE USE, MISUSE OR INABILITY TO USE THIS PRODUCT SOLD BY SAMSUNG NOT CAUSED DIRECTLY BY THE NEGLIGENCE OF SAMSUNG. THIS LIMITED WARRANTY SHALL NOT EXTEND TO ANYONE OTHER THAN THE ORIGINAL PURCHASER OF THIS PRODUCT, IS NONTRANSFERABLE AND STATES YOUR EXCLUSIVE REMEDY.

Some provinces or territories may or may not allow limitations on how long an implied warranty lasts, or the exclusion or limitation of incidental or consequential damages, so the above limitations or exclusions may not apply to you. This warranty gives you specific legal rights, and you may also have other rights which vary from state to state.

To obtain warranty service, please contact SAMSUNG at:

1-800-SAMSUNG (726-7864) or
www.samsung.com/ca/support (English)
www.samsung.com/ca_fr/support (French)



Scan the QR code* or visit
www.samsung.com/spsn
to view our helpful
How-to Videos and Live Shows

*Requires reader to be installed on your smartphone

Scan this with your smartphone

Please be advised that the Samsung warranty does NOT cover service calls to explain product operation, correct improper installation, or perform normal cleaning or maintenance.

QUESTIONS OR COMMENTS?

COUNTRY	CALL	OR VISIT US ONLINE AT
U.S.A Consumer Electronics	1-800-SAMSUNG (726-7864)	www.samsung.com/us/support
CANADA	1-800-SAMSUNG (726-7864)	www.samsung.com/ca/support (English) www.samsung.com/ca_fr/support (French)



ME17R70*1E*

Horno de microondas

manual del usuario

imagine las posibilidades

Gracias por adquirir este producto Samsung.

SAMSUNG

información sobre seguridad

Felicitaciones por haber adquirido su nuevo horno de microondas Samsung. Este manual contiene información importante acerca de la instalación, el uso y el cuidado de su electrodoméstico. Lea detenidamente el manual y podrá así aprovechar todas las ventajas y las funciones del horno de microondas.

LO QUE NECESITA SABER SOBRE LAS INSTRUCCIONES DE SEGURIDAD

Las advertencias y las instrucciones de seguridad importantes de este manual no cubren todos los problemas y situaciones que podrían ocurrir. Es su responsabilidad usar el sentido común, ser precavido y cuidadoso al instalar, mantener y manejar su horno de microondas.

PRECAUCIONES PARA EVITAR LA POSIBLE EXPOSICIÓN A ENERGÍA DE MICROONDAS EXCESIVA

- A. No intente hacer funcionar este horno con la puerta abierta pues se puede producir una exposición perjudicial a la energía de microondas. Es importante no forzar ni modificar las trabas de seguridad.
- B. No coloque ningún objeto entre la parte delantera del horno y la puerta, ni deje que se acumule suciedad o residuos de limpiadores en la superficie de sellado.
- C. No ponga en funcionamiento el horno si está dañado. Es de vital importancia que la puerta del horno se cierre correctamente y que:
 1. La puerta no esté doblada ni dañada
 2. Las bisagras y los pestillos no estén rotos ni sueltos
 3. Los burletes y las superficies de sellado de la puerta estén limpias y operativas.
- D. Solo personal de servicio técnico adecuadamente calificado debe ajustar o reparar este horno. No intente ajustar o reparar este horno usted mismo.

SÍMBOLOS Y PRECAUCIONES DE SEGURIDAD IMPORTANTES

Significado de iconos y símbolos de este manual del usuario:

 ADVERTENCIA	Prácticas peligrosas o inseguras que pueden provocar lesiones personales graves o la muerte.
 PRECAUCIÓN	Prácticas peligrosas o inseguras que pueden provocar lesiones personales leves o daños a la propiedad.
 PRECAUCIÓN	Para reducir el riesgo de incendio, explosión, descarga eléctrica o lesiones personales cuando utilice el horno de microondas, siga estas instrucciones básicas de seguridad.

	NO intentar.
	NO desensamblar.
	NO tocar.
	Siga las instrucciones explícitamente.
	Desenchufe la alimentación eléctrica del tomacorriente de la pared.
	Asegúrese de que la máquina tenga buena conexión a tierra para evitar descargas eléctricas.
	Comuníquese con el centro de servicio técnico para obtener ayuda.
	Nota

Estas señales de advertencia se incluyen para evitar lesiones a usted y a otras personas. Sígalas explícitamente. Una vez que haya leído esta sección, consérvela en un lugar seguro para consultas futuras.

CONSERVE ESTAS INSTRUCCIONES

Español - 2

INSTRUCCIONES DE SEGURIDAD IMPORTANTES

Al utilizar cualquier electrodoméstico, se deben seguir precauciones de seguridad básicas, incluidas las siguientes:



ADVERTENCIA

Para reducir el riesgo de quemaduras, descargas eléctricas, incendios, lesiones personales o exposición a energía de microondas excesiva:

1. Lea todas las instrucciones de seguridad antes de usar este electrodoméstico.
2. Lea y siga las "Precauciones para evitar la posible exposición a energía de microondas excesiva" especificadas en esta página.
3. Este artefacto debe conectarse a tierra. Conéctelo solo a los tomacorrientes adecuadamente conectados a tierra. Consulte "Instrucciones importantes de conexión a tierra" en la página 4 de este manual.
4. Instale o coloque este electrodoméstico solo de acuerdo con las instrucciones de instalación proporcionadas.
5. Algunos productos tales como los huevos enteros y los recipientes sellados (por ejemplo, frascos de vidrio cerrados) pueden explotar si se los calienta rápidamente. Nunca los caliente en un horno de microondas.
6. Utilice este electrodoméstico únicamente para los fines descritos en el manual. No utilice vapores ni productos químicos corrosivos en el interior o en el exterior de este electrodoméstico. Este tipo de horno está específicamente diseñado para calentar, cocinar o secar alimentos. No está diseñado para uso industrial o de laboratorio.
7. Al igual que con cualquier electrodoméstico, se requiere de supervisión cuando es utilizado por niños.
8. No haga funcionar este electrodoméstico si tiene el cable o enchufe dañado, si no funciona correctamente o si está dañado o se ha caído.
9. Este electrodoméstico debe ser reparado solo por personal técnico calificado. Comuníquese con la oficina del servicio técnico autorizado más cercana para que examinen, reparen o ajusten el equipo.
10. No tape ni bloquee ninguna de las aberturas del electrodoméstico.
11. No altere ni haga ajustes ni reparaciones en la puerta.
12. No almacene este electrodoméstico al aire libre. No utilice este producto cerca del agua, por ejemplo, cerca del fregadero de la cocina, de una piscina, en un sótano húmedo o en lugares similares.
13. No sumerja el cable de alimentación ni el enchufe en agua.
14. Mantenga el cable alejado de superficies calientes. (incluso la parte posterior del horno).
15. No permita que el cable cuelgue del borde de una mesa o mesada.
16. Cuando limpie las superficies de la puerta y del horno que se ensamblan al cerrar la puerta, utilice solo jabones o detergentes suaves, no abrasivos, aplicados con una esponja o paño suave. Desenchufe el microondas antes de limpiarlo.

17. Para reducir el riesgo de incendio en el interior del horno:
 - a. No cocine los alimentos en exceso. Preste atención al electrodoméstico cuando coloque en su interior papel, plástico u otros materiales combustibles para facilitar la cocción.
 - b. Retire las ataduras de alambre de las bolsas de papel o plástico antes de colocar las bolsas en el horno.
 - c. Si los materiales en el interior del horno se prenden fuego, mantenga la puerta cerrada, apague el horno y desconecte el cable de alimentación o corte la alimentación desde el panel de fusibles o el disyuntor. Si abre la puerta, el fuego puede expandirse.
 - d. No utilice el interior para almacenar alimentos u objetos. No deje productos de papel, utensilios de cocina ni alimentos en el interior cuando no utiliza el horno.
18. Los líquidos tales como agua, leche, café o té pueden recalentarse más allá del punto de ebullición sin que se note que están hirviendo. No siempre se verán las burbujas o el hervor cuando se retira el recipiente del horno de microondas. **ESTO PUEDE HACER QUE LOS LÍQUIDOS MUY CALIENTES SE DERRAMEN REPENTINAMENTE CUANDO SE MUEVE EL RECIPIENTE O SE COLOCA UNA CUCHARA U OTRO UTENSILIO EN EL LÍQUIDO.** Para reducir el riesgo de lesiones:
 - a. No sobrecaliente los líquidos.
 - b. Revuelva los líquidos antes y durante el calentamiento.
 - c. No utilice recipientes con lados rectos y cuellos angostos.
 - d. Después de calentar, deje que el recipiente repose en el horno de microondas durante unos minutos antes de retirarlo.
 - e. Tenga sumo cuidado cuando introduce una cuchara u otro utensilio en el recipiente.



PRECAUCIÓN

1. Limpie las campanas de ventilación con frecuencia: No se debe acumular grasa en la campana ni en el filtro.
2. Cuando flambee alimentos debajo de la campana, encienda el ventilador.
3. Tenga cuidado al limpiar el filtro de la campana de ventilación. Los agentes de limpieza corrosivos tales como los limpiadores de horno a base de lejía pueden dañar el filtro.

INSTRUCCIONES DE CONEXIÓN A TIERRA

Este electrodoméstico debe conectarse a tierra. En caso de cortocircuito, la conexión a tierra reduce el riesgo de descarga eléctrica ya que ofrece un cable de escape para la corriente eléctrica. Este electrodoméstico está equipado con un cable que incluye un cable y un enchufe de conexión a tierra. El enchufe debe conectarse a un tomacorriente que esté correctamente instalado y conectado a tierra.

CONSERVE ESTAS INSTRUCCIONES

Español - 3



ADVERTENCIA

El uso inadecuado del enchufe de conexión a tierra puede provocar un riesgo de descarga eléctrica.

- Enchúfelo a un tomacorriente de 3 clavijas conectado a tierra. No retire el tercer pin (a tierra). No utilice un adaptador ni altere de otro modo la función de seguridad del enchufe con conexión a tierra.
- Consulte a un electricista o técnico calificado si no entiende las instrucciones de conexión a tierra o si no está seguro de si el electrodoméstico está bien conectado a tierra.
- No recomendamos utilizar un cable prolongador con este electrodoméstico. Si el cable de alimentación es demasiado corto, llame a un electricista calificado o a un técnico autorizado para que instale un tomacorriente cerca del electrodoméstico. No obstante, si es necesario utilizar un cable prolongador, lea la sección "Uso de cables prolongadores" que se describe abajo y siga lo que allí se indica.

Uso de los cables prolongadores

Se suministra un cable de alimentación corto para reducir el riesgo de enredarse o tropezar con un cable más largo y caerse. Los juegos de cables más largos o cables prolongadores se encuentran disponibles y puede utilizarlos con cuidado. Si utiliza un cable largo o un cable prolongador:

1. La especificación eléctrica marcada del juego de cables o cable prolongador debe ser como mínimo igual a la especificación eléctrica del electrodoméstico.
2. El cable prolongador debe ser un cable de 3 hilos de conexión a tierra y se lo debe enchufar en un tomacorriente de 3 ranuras.
3. El cable más largo debe disponerse de manera tal que no quede colgando de la mesada o mesa en donde los niños pueden tirar de él o tropezarse con él accidentalmente. Si utiliza un cable prolongador, la luz interior puede parpadear y la velocidad del ventilador puede variar cuando el horno de microondas está encendido. Los tiempos de cocción también pueden ser más largos.



ADVERTENCIAS FUNDAMENTALES PARA LA INSTALACIÓN

La instalación de este electrodoméstico debe estar a cargo de un técnico o una compañía de servicio calificados.

- Si el horno no es instalado por un técnico calificado, pueden producirse descargas eléctricas, incendios, explosiones, problemas con el producto o lesiones.

Desempaque el horno, retire todo el material de empaque y examine el horno para determinar si hay daños tales como abolladuras en el interior o exterior del electrodoméstico, pestillos de la puerta rotos, rajaduras en la puerta o una puerta que no esté correctamente alineada. Si hay algún daño, no ponga el horno en funcionamiento y notifique de inmediato al distribuidor.

Asegúrese de instalar su horno en un lugar con espacio suficiente.



Retire todas las sustancias extrañas como polvo o agua de los terminales y puntos de contacto del enchufe con un paño seco regularmente.

- Desenchufe la alimentación y limpie el enchufe con un paño seco.
- No hacerlo puede provocar una descarga eléctrica o un incendio.

Enchufe el cable de alimentación en un tomacorriente de 3 clavijas conectado a tierra adecuadamente. Su horno debe ser el único electrodoméstico conectado en este circuito.

- Compartir un tomacorriente de pared con otros electrodomésticos utilizando un enchufe múltiple o prolongar el cable de alimentación puede provocar descargas eléctricas o incendios.
- No utilice un transformador eléctrico. Se puede producir una descarga eléctrica o un incendio.
- Asegúrese de que el voltaje, la frecuencia y la corriente provistos coincidan con las especificaciones del producto. No hacerlo puede provocar una descarga eléctrica o un incendio.

Mantenga todos los materiales de empaque fuera del alcance de los niños. Podrían utilizarlos para jugar.



Este electrodoméstico debe conectarse a tierra correctamente. Lea y siga las "Instrucciones de conexión a tierra" especificadas al comienzo de esta sección. No conecte el electrodoméstico a una tubería de gas, una tubería plástica de agua o un cable de teléfono.

- Esto puede provocar descargas eléctricas, incendios, explosiones o problemas con el producto.
- No enchufe el cable de alimentación en una toma que no tenga una conexión a tierra adecuada y asegúrese de que cumpla las normas locales y nacionales.

No corte ni retire la tercera clavija (a tierra) del cable de alimentación bajo ninguna circunstancia.

El horno de microondas requiere de un tomacorriente separado con conexión a tierra único con circuito derivado de mínimo 15A y máximo 20A.



No instale este electrodoméstico en un lugar húmedo, engrasado o cubierto de polvo, ni en un lugar expuesto a la luz solar directa o al agua (gotas de lluvia).

- Se puede producir una descarga eléctrica o un incendio.

Enchufe la alimentación al tomacorriente de la pared con firmeza. No utilice un enchufe dañado, un cable de alimentación dañado ni un tomacorriente de pared flojo.

- Se puede producir una descarga eléctrica o un incendio.

No lo coloque sobre un fregadero.

No jale ni doble excesivamente el cable de alimentación.

No retuerza ni ate el cable de alimentación.

No enganche el cable de alimentación de un objeto metálico, ni coloque un objeto pesado sobre el cable de alimentación, ni introduzca el cable de alimentación entre objetos ni lo empuje dentro del espacio que hay detrás del electrodoméstico.

- Se puede producir una descarga eléctrica o un incendio.

No tire del cable de alimentación al desenchufar el horno.

- Desenchufe el horno tirando únicamente del enchufe.
- No hacerlo puede provocar una descarga eléctrica o un incendio.



Si se daña el enchufe o el cable de alimentación, comuníquese con el centro de servicio técnico Samsung más cercano para solicitar un repuesto o una reparación.

CONSERVE ESTAS INSTRUCCIONES



PRECAUCIONES PARA LA INSTALACIÓN



- Coloque el horno de manera tal que se pueda acceder al enchufe fácilmente.
- No hacerlo puede provocar descarga eléctrica o incendio debido a fugas eléctricas.



- Desenchufe el horno cuando no se utilice por períodos prolongados o durante una tormenta eléctrica.
- No hacerlo puede provocar una descarga eléctrica o un incendio.



ADVERTENCIAS FUNDAMENTALES PARA EL USO



- Si el horno se inunda, comuníquese con el centro de servicio técnico Samsung más cercano: No hacerlo puede provocar una descarga eléctrica o un incendio.

Lea y siga las "Precauciones para evitar la posible exposición a energía de microondas excesiva" especificadas al comienzo de esta sección.

Si el microondas genera un ruido extraño, olor a quemado o humo, desenchúfelo de inmediato y comuníquese con el centro de servicio técnico más cercano.

- No hacerlo puede provocar una descarga eléctrica o un incendio.

En caso de producirse una fuga de gas (como gas propano, gas LP, etc.), ventile el ambiente de inmediato. No toque el microondas, ni el cable de alimentación ni el enchufe.

- No utilice un ventilador.
- Una chispa puede causar una explosión o un incendio.

Procure que ni la puerta ni ninguna otra pieza entre en contacto con el cuerpo mientras cocina o cuando acaba de cocinar.

- No hacerlo puede provocar quemaduras.

En caso de un incendio provocado por grasa en las unidades de superficie debajo del horno, extinga la charola en llamas sobre la superficie cubriéndola por completo con una tapa, una bandeja para hornear o una bandeja plana.

Nunca descuide las unidades de superficie debajo de su horno en ambientes con altas temperaturas. El sobrecalentamiento puede ocasionar humo y derrames de grasa que pueden incendiarse y expandirse si el ventilador se encuentra encendido. Para minimizar el funcionamiento automático del ventilador, utilice recipientes de tamaño adecuado y programe altas temperaturas sobre las unidades de superficie solo cuando sea necesario.

Si los materiales en el interior del horno se encendieran, mantenga la puerta cerrada, apáguelo y desconecte el cable de alimentación o corte la alimentación en el panel del disyuntor o fusible. Si abre la puerta, el fuego puede expandirse.

- Siempre respete las precauciones de seguridad cuando utilice su horno. Nunca intente reparar el horno. Contiene voltaje peligroso en el interior. Si se debe reparar el horno, comuníquese con un centro de servicio técnico Samsung autorizado cercano.



- No intente reparar, desarmar ni modificar el electrodoméstico.
- Dado que una corriente de alta tensión ingresa en el chasis del producto durante su funcionamiento, abrir el producto puede provocar descargas eléctricas o incendios.
 - Podría estar expuesto a ondas electromagnéticas.
 - Si es necesario reparar el horno, comuníquese con el centro de servicio técnico Samsung más cercano.



- Si alguna sustancia extraña, por ejemplo, agua, ingresa en el horno, desenchúfelo y comuníquese con el centro de servicio técnico más cercano.
- No hacerlo puede provocar una descarga eléctrica o un incendio.



- No toque el enchufe de alimentación con las manos húmedas.
- Se puede producir una descarga eléctrica.

No desenchufe la alimentación para apagar el electrodoméstico cuando éste esté en funcionamiento.

- Volver a enchufar la alimentación al tomacorriente de la pared puede provocar una chispa y generar una descarga eléctrica o un incendio.

Mantenga todos los materiales de embalaje fuera del alcance de los niños. Los materiales de embalaje pueden ser peligrosos para los niños.

- Si un niño se coloca una bolsa en la cabeza, puede asfixiarse.

No deje que los niños ni ninguna persona con capacidades físicas, sensoriales o mentales reducidas utilice el electrodoméstico sin supervisión.

Asegúrese de que el electrodoméstico esté fuera del alcance de los niños.

- No hacerlo puede provocar una descarga eléctrica, quemaduras o lesiones.
- Mantenga a los niños alejados de la puerta cuando la abra o la cierre ya que podría golpearlos o pillarles los dedos.

No toque el interior del electrodoméstico inmediatamente después de cocinar. El interior del electrodoméstico estará caliente.

- El calor del interior del horno puede provocar quemaduras.

No utilice papel de aluminio (excepto en los casos particulares especificados en este manual), objetos metálicos (tales como recipientes, tenedores, etc.) ni recipientes con bordes dorados o plateados en el microondas.

- Estos objetos pueden provocar chispas o un incendio.

No utilice ni coloque objetos ni aerosoles inflamables cerca del horno.

- El calor del microondas puede hacer que los aerosoles inflamables exploten o ardan.
- No hacerlo puede provocar descarga eléctrica o lesiones.

No altere ni haga ajustes ni reparaciones en la puerta. Bajo ninguna circunstancia debe quitar el gabinete exterior.

No almacene ni utilice el horno al aire libre.

CONSERVE ESTAS INSTRUCCIONES

Español - 5



PRECAUCIONES PARA EL USO



Si la superficie de las microondas está rajada, apague el electrodoméstico.

- No hacerlo puede provocar una descarga eléctrica.

La vajilla y los envases pueden calentarse. Manipúelos con cuidado.

Los alimentos calientes y el vapor pueden provocar quemaduras. Retire cuidadosamente las tapas de los envases, dirigiendo el vapor lejos de las manos y la cara.

Retire las tapas de los alimentos para bebé antes de calentarlos. Después de calentar los alimentos para bebé, revuelva bien para distribuir el calor en forma pareja. Siempre pruebe los alimentos para corroborar la temperatura antes de alimentar al bebé. El frasco de vidrio o la superficie del alimento puede estar más frío que el interior del alimento, el cual puede estar tan caliente como para quemar la boca del niño.

Asegúrese de que todos los utensilios de cocina que se utilicen en las microondas sean los adecuados para este fin.

Cuando utilice utensilios de cocina aptos para microondas, cumpla estrictamente las recomendaciones del fabricante.



No se pare sobre las microondas ni coloque objetos (tales como ropa, velas o cigarrillos encendidos, platos, químicos, objetos metálicos, etc.) sobre el electrodoméstico.

- Artículos tales como paños pueden quedar enganchados en la puerta.
- Se pueden producir descargas eléctricas, incendios, problemas con el producto o lesiones personales.

No haga funcionar el electrodoméstico con las manos húmedas.

- Se puede producir una descarga eléctrica.

No rocíe materiales volátiles como insecticidas en la superficie del electrodoméstico.

- Además de ser perjudiciales para las personas, pueden producirse descargas eléctricas, incendios o problemas en el producto.

No coloque el electrodoméstico sobre un objeto frágil como un fregadero o un objeto de vidrio.

- Hacerlo puede provocar daños al fregadero o al objeto de vidrio.

No acerque el rostro ni el cuerpo al electrodoméstico mientras está cocinando o al abrir la puerta inmediatamente después de la cocción.

- Asegúrese de que los niños no se acerquen demasiado al electrodoméstico.
- No hacerlo puede provocar quemaduras en los niños.

No coloque alimentos ni ningún objeto pesado sobre la puerta.

- Al abrir la puerta, los alimentos o el objeto podrían caerse y provocar quemaduras o lesiones.

No enfríe abruptamente la puerta, el interior del electrodoméstico ni el plato vertiendo agua sobre estas partes durante o después de la cocción.

- Esto puede provocar daños en el electrodoméstico. El vapor o el rocío de agua pueden provocar quemaduras o lesiones.

No intente precalentar el horno de microondas ni hacerlo funcionar cuando está vacío.

No cocine sin la charola de vidrio en su lugar sobre el piso del horno. Los alimentos no se cocinarán correctamente sin la charola.



No descongele bebidas congeladas en botellas de cuello angosto. Los envases pueden romperse.

No raye el vidrio de la puerta del horno con un objeto puntiagudo.

- Esto puede provocar que el vidrio se dañe o se rompa.

No almacene nada directamente encima del electrodoméstico cuando está en funcionamiento.

No utilice recipientes sellados. Qúteles los sellos y las tapas antes de utilizarlos. Los recipientes sellados pueden explotar debido a la acumulación de presión incluso después de que el horno se ha apagado.



INSTRUCCIONES FUNDAMENTALES PARA LA LIMPIEZA

No rocíe agua directamente sobre el electrodoméstico para limpiarlo.

No utilice benceno, diluyente ni alcohol para limpiar el electrodoméstico.

- Esto puede provocar decoloración, deformación, daños, descarga eléctrica o incendio.

Antes de limpiar o realizar el mantenimiento, desenchufe el electrodoméstico del tomacorriente de la pared y quite los restos de comida de la puerta y del compartimiento de cocción.

- No hacerlo puede provocar una descarga eléctrica o un incendio.

Tenga cuidado de no lastimarse cuando limpia el electrodoméstico (exterior/interior)

- Puede lastimarse con los bordes puntiagudos del electrodoméstico.

No limpie el electrodoméstico con un limpiador a vapor.

- Esto puede provocar corrosión.

Mantenga limpia la parte interna del horno. Las partículas de alimentos o los aceites salpicados que se adhieren a las paredes o al piso pueden causar daños en la pintura y reducir la eficiencia del horno.



CALIFORNIA PROPOSICIÓN 65 ADVERTENCIA

ADVERTENCIA: Cáncer y Daño Reproductivo – www.P65Warnings.ca.gov

CONSERVE ESTAS INSTRUCCIONES

Español - 6

contenido

INSTALACIÓN DE SU HORNO DE MICROONDAS

- 8 8 Control de las piezas
- 8 8 Información sobre garantía y servicio técnico
- 8 8 Instalación de su horno de microondas
- 9 9 Características
- 9 9 Verificación del panel de control
- 10 10 Configuración de la hora
- 10 10 Bloqueo para niños

USO DEL HORNO DE MICROONDAS

- 10 10 Botón Temporizador de cocina
- 10 10 Botón Agregar 30 s
- 10 10 Botones Vent (☞)
- 10 10 Botón Luz alta/baja/apagada
- 10 10 Botones de programas de cocción
- 11 11 Botón Recalentar
- 12 12 Botón Auto Descongelado
- 13 13 Botón Derretir/Ablandar
- 14 14 Tiempos de cocción y niveles de potencia del microondas
- 14 14 Modo Eco

GUÍA DE UTENSILIOS DE COCINA

- 15 15 Utensilios aptos para microondas

GUÍA DE COCCIÓN

- 16 16 Sugerencias generales para cocinar en microondas
- 16 16 Cocinar carne
- 17 17 Cocinar carne de ave
- 17 17 Cocinar mariscos
- 17 17 Cocinar huevos
- 17 17 Cocinar verduras
- 18 18 Recetas

LIMPIEZA Y MANTENIMIENTO DE SU HORNO DE MICROONDAS

- 19 19 Limpieza del exterior
- 19 19 Limpieza del interior
- 19 19 Limpieza del anillo y el plato giratorio.
- 19 19 Almacenamiento y reparación de su horno de microondas
- 19 19 Reemplazo de la luz de la cubierta/luz de noche
- 19 19 Reemplazo de la luz del horno
- 20 20 Limpieza del filtro de grasa
- 20 20 Reemplazo del filtro de carbón

RESOLUCIÓN DE PROBLEMAS

21

APÉNDICE

21

GARANTÍA LIMITADA (EE. UU.)

22

GARANTÍA (CANADÁ)

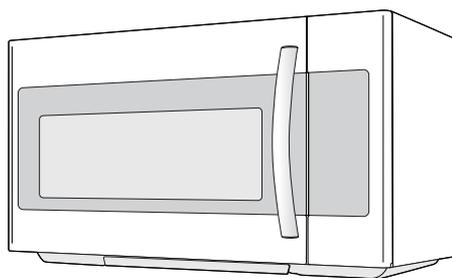
23

instalación de su horno de microondas

Asegúrese de seguir estas instrucciones atentamente para que su nuevo horno de microondas funcione de manera adecuada.

CONTROL DE LAS PIEZAS

Desembale su horno de microondas con cuidado y asegúrese de haber recibido todas las piezas que se indican a continuación. Si su horno de microondas sufrió daños durante el envío, o si faltan piezas, comuníquese con el Servicio al Cliente de Samsung al 1-800-SAMSUNG (726-7864).



Horno de microondas (ME17R70*1E*)



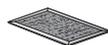
* Charola de vidrio



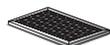
* Anillo guía giratorio



* Adaptador del extractor



* Filtros de grasa (2 uds.)



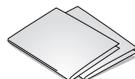
* Filtro de carbón



* Equipo de herramientas (Tornillos y ménsulas)



Manuales (del usuario y de instalación)



Plantillas (Superior y de pared)

Si necesita un accesorio marcado con un *, puede adquirirlo en el Centro de contacto de Samsung (1-800-726-7864).

INFORMACIÓN SOBRE GARANTÍA Y SERVICIO TÉCNICO

Para ayudarnos a brindarle un mejor servicio, complete la tarjeta de registro adjunta y envíela por correo a la brevedad. Si falta la tarjeta de registro, puede comunicarse con Samsung Electronics America, Inc., al **1-800-SAMSUNG (726-7864)** o **regístrese en línea en www.samsung.com/register**.

Cuando se comunique con Samsung, indique el modelo específico y el número de serie que, por lo general, se encuentra en la parte posterior o inferior del producto. Registre los números en los espacios provistos a continuación, junto con la demás información solicitada. Conserve esta información en un lugar seguro como un registro permanente de su compra para ayudarlo en la identificación, en caso de robo o pérdida. También conserve una copia de su recibo como prueba de compra, en caso de que sea necesario usar el servicio de garantía.

NÚMERO DE MODELO _____

NÚMERO DE SERIE _____

FECHA DE COMPRA _____

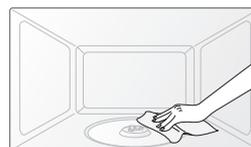
ADQUIRIDO EN _____

El servicio de garantía solo puede ser prestado por un centro de servicio técnico autorizado de Samsung. Si requiere un servicio técnico de garantía, proporcione la información antes detallada con una copia de su recibo al centro de servicio técnico autorizado de Samsung.

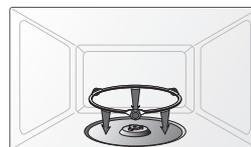
Para recibir asistencia del servicio técnico y averiguar la ubicación de los centros de servicio técnico más cercanos, llame al **1-800-SAMSUNG (726-7864)**.

INSTALACIÓN DE SU HORNO DE MICROONDAS

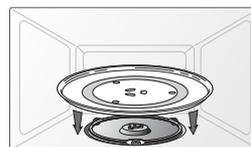
1. Abra la puerta del horno tirando de la manija en el lado derecho de la puerta.
2. Limpie el interior del horno con un paño húmedo.



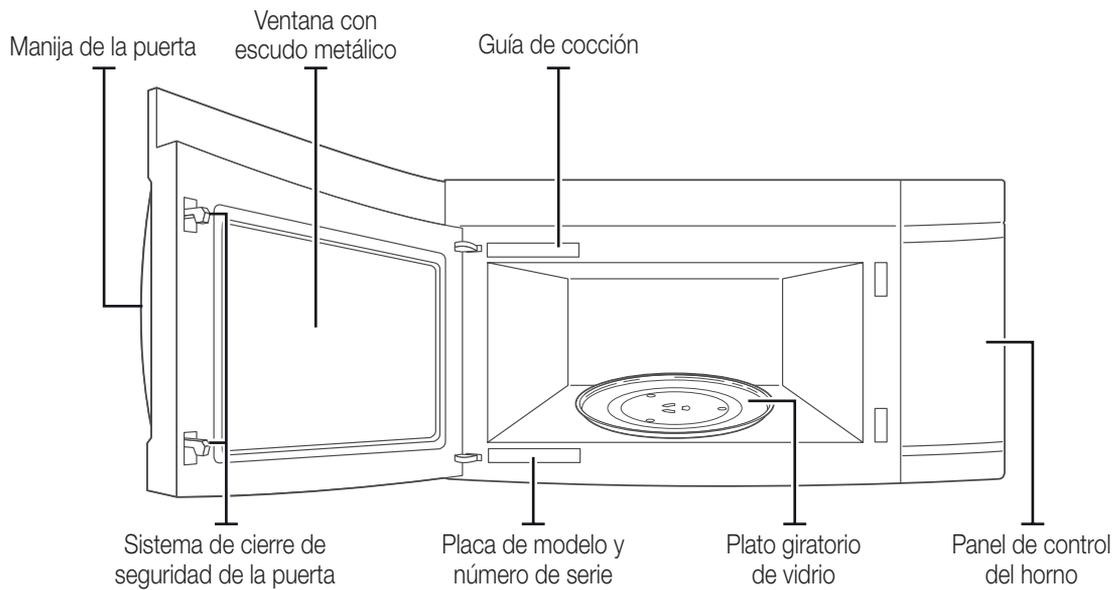
3. Instale el anillo premontado en la muesca del centro del horno de microondas.



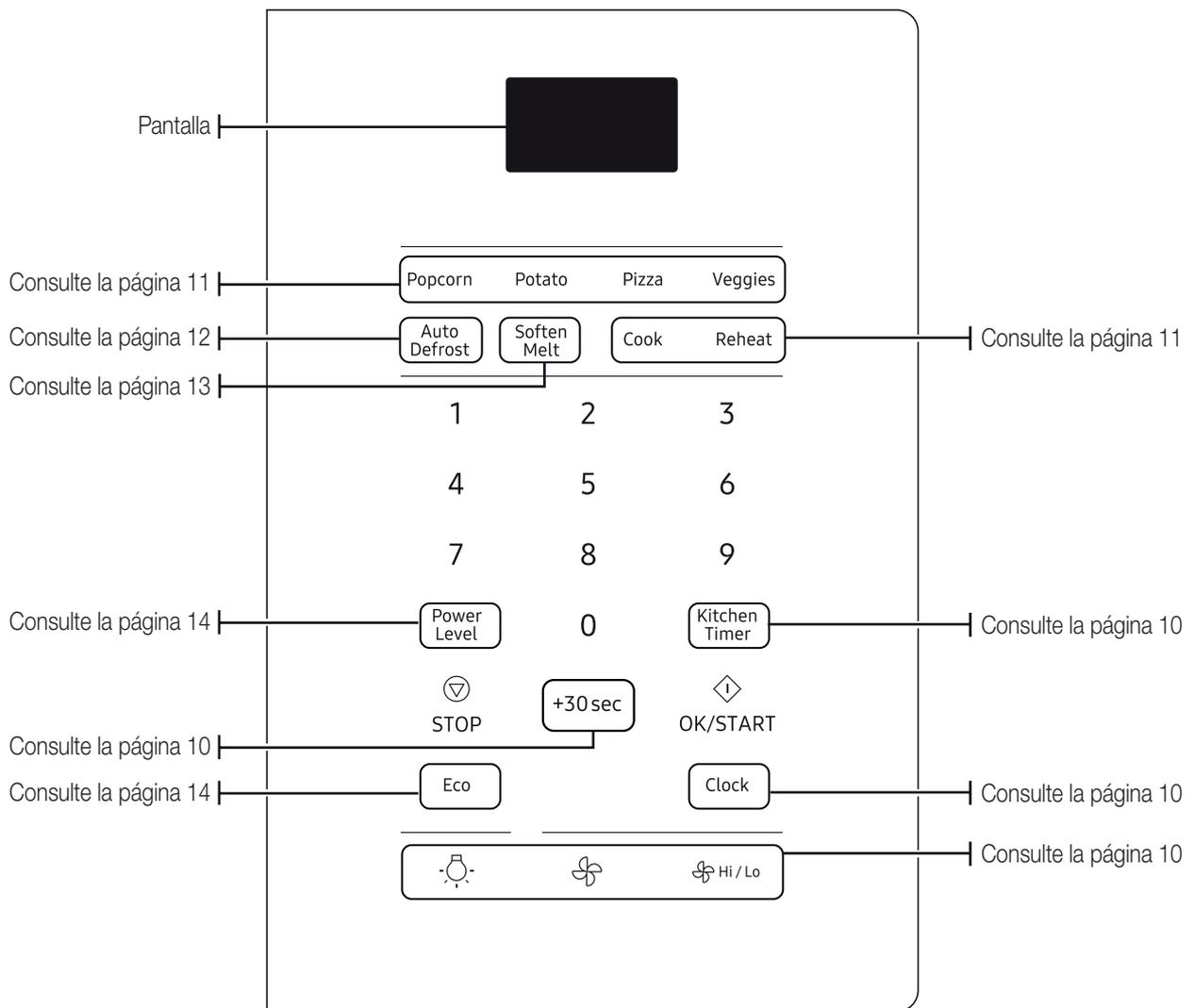
4. Coloque la charola de vidrio en el centro del anillo giratorio premontado para que quede bien sujeta.



CARACTERÍSTICAS



VERIFICACIÓN DEL PANEL DE CONTROL



Español - 9

CONFIGURACIÓN DE LA HORA

Su horno de microondas cuenta con un reloj incorporado. Configure el reloj al instalar su horno de microondas por primera vez después de una interrupción de energía eléctrica y luego desenchufar y enchufar el cable de alimentación. La hora aparece siempre que el horno de microondas no esté en uso.

1. Presione el **Clock (Reloj)** botón.
2. Use los botones numéricos para ingresar la hora del día.
3. Presione el **OK/START (OK/INICIO)** botón.

BLOQUEO PARA NIÑOS

La función de Seguro para niños le permite bloquear los botones para que el horno de microondas no pueda funcionar accidentalmente. Se puede bloquear el horno en cualquier momento.

Activación/Desactivación

Si desea activar o desactivar la función de Seguro para niños, presione el **OK/START (OK/INICIO)** botón durante 3 segundos.

uso del horno de microondas

Cocinar nunca ha sido más sencillo que con su nuevo horno de microondas Samsung.

La siguiente sección describe todo lo que debe saber acerca del uso de su horno de microondas.

BOTÓN TEMPORIZADOR DE COCINA

Utilice el temporizador de la cocina para programar hasta 99 minutos y 99 segundos.

1. Presione el **Kitchen Timer (Temporizador de cocina)** botón.
2. Use los botones numéricos para programar la cantidad de tiempo que quiere que el temporizador corra.
3. Presione el **OK/START (OK/INICIO)** botón.
4. La pantalla cuenta regresivamente y emite señales sonoras cuando el tiempo ha llegado a su fin.
5. Para cancelar la configuración del temporizador: Presione el **STOP (DETENER)** botón una vez.

BOTÓN AGREGAR 30 S

Este control simplificado le ahorra tiempo, y le permite iniciar rápidamente la cocción al 100% de potencia.

1. Presione el **Add 30 sec (Agregar 30 s)** botón por cada 30 segundos que desee cocinar los alimentos. Por ejemplo, presiónelo dos veces para programar un minuto de cocción y, luego, presione el **OK/START (OK/INICIO)** botón para comenzar la cocción.
2. Agregue 30 segundos a un programa de cocción ya iniciado al presionar el **Add 30 sec (Agregar 30 s)** botón por cada 30 segundos adicionales que desee agregar.

BOTONES VENT ()

La ventilación elimina los vapores de la superficie de cocción. Puede seleccionar la configuración de ventilación manualmente.

1. Presione el  Hi / Lo botón para configurar la velocidad del ventilador.
2. Presione el  botón para encender el ventilador.
3. Presione el  botón otra vez para apagar el ventilador.

BOTÓN LUZ ALTA/BAJA/APAGADA

El  botón le permite seleccionar un ajuste de luz para su microondas.

Presionar (veces)	1	2	3
Luz	Alta	Baja	Apagada

BOTONES DE PROGRAMAS DE COCCIÓN

Los botones **Programas de cocción** le permiten cocinar sus comidas favoritas usando tiempos de cocción y niveles de potencia predeterminados con solo presionar un botón. Si los alimentos no se cocinan o se recalientan bien cuando usa los botones de programas de cocción, complete el proceso de cocción seleccionando un nivel de potencia y cocinando los alimentos un tiempo adicional.



No utilice los botones **Programas de cocción** de manera continua. Debe dejar que el horno se enfríe durante 5 minutos entre cada uso o los alimentos se cocinarán de más.

Tabla de cocción automática

Botón de programa de cocción	Cantidad o tipo	Cantidad de veces que se debe presionar	Instrucciones
Palomitas	3.5 oz 1 paquete	una vez	Caliente solo una bolsa de palomitas para microondas por vez. Tenga cuidado tanto al retirar la bolsa del horno como al abrirla. Dejar que el horno se enfríe por al menos 5 minutos antes de volver a usarlo.
	3.0-3.5 oz 1 paquete	dos veces	 No descuide el horno de microondas mientras las palomitas se están cocinando. <small>PRECAUCIÓN</small>
Cocinar	Bebidas Pantalla: Ac-1	una vez	Utilizar una taza o un jarro. No cubrir. Colocar la bebida en el horno. Después de calentar, revolver bien. Deje que el horno se enfríe al menos 5 minutos antes de utilizarlo nuevamente. Nota: <ul style="list-style-type: none"> • Los tiempos de recalentamiento se basan en una taza de 8 onzas. • La bebida recalentada con esta función puede estar muy caliente. • Saque el recipiente con cuidado. Cantidad: 0.5 taza, 1 taza, 2 tazas.
	Tocino Pantalla: Ac-2	dos veces	Coloque 2 toallas de papel sobre el plato y acomode el tocino sobre las toallas. No superponer. Cubrir con una toalla de papel adicional. Quite las toallas de papel de inmediato después de la cocción. Cantidad: 2 a 6 rebanadas.
	Comida congelada Pantalla: Ac-3	tres veces	Quitar el envoltorio externo de la comida, seguir las instrucciones de la caja para cubrirla y dejar reposar. Deje que el horno se enfríe al menos 5 minutos antes de utilizarlo nuevamente. Cantidad: 8 a 14 oz
	Desayunos congelados Pantalla: Ac-4	cuatro veces	Usar este botón para emparedados congelados, entradas de desayuno, crepas, waffles, etc. Seguir las instrucciones del paquete para cubrir y dejar reposar. Deje que el horno se enfríe al menos 5 minutos antes de utilizarlo nuevamente. Cantidad: 4 a 8 oz
Verduras	Verduras frescas : Fr-1	una vez	Colocar de 1 a 4 porciones de verduras frescas / congeladas en un recipiente de cerámica, vidrio o plástico apto para microondas y agregar de 2 a 4 cucharadas de agua. Cubrir con una tapa o un envoltorio plástico con ventilación para cocinar. Revuelva antes de dejar reposar por 3 a 5 minutos. Deje que el horno se enfríe al menos 5 minutos antes de utilizarlo nuevamente.
	Verduras congeladas : Fr-2	dos veces	
Papas	1 papa	una vez	Pinchar cada papa varias veces con un tenedor. Colóquelas en el plato giratorio al estilo de los rayos de una rueda. Después de cocinar, dejar reposar las papas de 3 a 5 minutos. Dejar que el horno se enfríe por al menos 5 minutos antes de volver a usarlo.  Pinche las papas varias veces con un tenedor antes de ponerlas en el horno de microondas. Los tiempos de cocción se basan en papas de 8 a 10 onzas promedio.
	2 papas	dos veces	
	3 papas	tres veces	
	4 papas	cuatro veces	
Pizza	1 trozo	una vez	Coloque 1-3 rebanadas de pizza en un plato para microondas con el extremo ancho de cada porción hacia el borde exterior del plato. No permitir que se superpongan las rebanadas. No cubrir. Deje enfriar el horno durante al menos 5 minutos antes de utilizarlo nuevamente.
	2 trozos	dos veces	
	3 trozos	tres veces	

BOTÓN RECALENTAR

El **Reheat (Recalentar)** botón ofrece tres categorías programadas para cocinar.

Categoría	Cantidad de veces que se debe presionar	Pantalla
Plato de comida	una vez	rh-1
Estofado	dos veces	rh-2
Pastas	tres veces	rh-3

Ejemplo: Recalentamiento de 3 porciones de guiso.

1. Presione el **Reheat (Recalentar)** botón dos veces.
2. Presione el botón del **número 3**.
3. Presione el **OK/START (OK/INICIO)** botón.
4. Cuando haya transcurrido el tiempo de cocción, el horno emitirá la señal sonora 4 veces y aparecerá *End (Finalización)*.

Tabla de recalentamiento

Siga las instrucciones a continuación cuando recaliente distintos tipos de alimentos.

Categoría	Cantidad	Instrucciones
Plato de comida	1 porciones (1 plato)	Utilice sólo alimentos precocidos refrigerados. Cubra el plato con un envoltorio de plástico ventilado o papel encerado metido debajo del plato. Si la comida no está tan caliente como quisiera después de usar la función de recalentamiento, continúe calentándola con más tiempo y potencia. Contenido: 3-4 oz de carne, ave o pescado (hasta 6 oz con hueso) ½ taza de almidón (papas, pasta, arroz, etc.) ½ taza de vegetales (alrededor de 3-4 oz)
Estofado	1 a 4 porciones	Cubrir el plato con una tapa o un envoltorio plástico ventilado. Si la comida no está tan caliente como quisiera después de usar la función de recalentamiento, continúe calentándola con más tiempo y potencia. Revolver una vez antes de servir.
Pastas		Contenido: 3-4 oz de carne, ave o pescado (hasta 6 oz con hueso) ½ taza de almidón (papas, pasta, arroz, etc.) ½ taza de vegetales (alrededor de 3-4 oz)

 La temperatura correcta para los alimentos depende de cada persona. Deje reposar los alimentos de 1 a 5 minutos antes de servirlos.

BOTÓN AUTO DESCONGELADO

El ciclo de descongelamiento automático, junto con su configuración predeterminada, le ofrece el mejor método de descongelamiento para alimentos congelados, dado que el horno programa automáticamente los tiempos de descongelamiento de acuerdo con el peso que usted ingresa. Para mayor comodidad, la función descongelamiento automático emite señales sonoras que le recuerdan controlar o dar vuelta los alimentos durante el ciclo de descongelamiento.

Presione el **Auto Defrost (Auto Descongelado)** botón una vez, y luego seleccione el peso del alimento. Los rangos de peso disponibles son de 0.1 a 6.0 lb.

1. Presione el **Auto Defrost (Auto Descongelado)** botón.
2. Use los botones numéricos para ingresar el peso.
3. Presione el **OK/START (OK/INICIO)** botón.

 Después de oprimir el **OK/START (OK/INICIO)** botón, la pantalla cuenta el tiempo de descongelamiento en forma regresiva. El horno emitirá la señal sonora dos veces durante el ciclo de descongelamiento. Cuando el horno emite la señal sonora dos veces, abra la puerta y dé vuelta los alimentos según sea necesario. Saque las porciones que se hayan descongelado, luego coloque las porciones congeladas en el horno y presione el **OK/START (OK/INICIO)** botón para reanudar el ciclo de descongelamiento. Tenga en cuenta que el ciclo de descongelamiento se mantiene activo mientras el horno emite la señal sonora, se pone en pausa cuando abre la puerta para dar vuelta los alimentos y se reanuda al presionar **OK/START (OK/INICIO)**.

Consejos para el descongelamiento

Cuando utiliza la función de descongelamiento automático, el peso que se debe ingresar es el peso neto en libras y décimas de libras (el peso del alimento menos el del recipiente).

Utilice el ciclo de descongelamiento automático sólo para alimentos crudos. El ciclo de descongelamiento automático ofrece mejores resultados cuando los alimentos que desea descongelar no están a una temperatura inferior a 0 °F (sacados directamente de un auténtico congelador). Si el alimento se almacenó en un refrigerador-congelador que no mantiene una temperatura de 5 °F o menor, siempre programe un peso inferior del alimento (durante un tiempo de descongelamiento más reducido) para evitar cocinar el alimento.

Si el alimento queda hasta 20 minutos fuera del congelador, ingrese un peso inferior del alimento.

La forma del envase altera el tiempo de descongelamiento. Los paquetes rectangulares chatos se descongelan más rápidamente que un bloque grueso.

Separe los pedazos a medida que comienzan a descongelarse. Los pedazos separados se descongelan con más facilidad.

Cubra áreas de los alimentos con pedacitos pequeños de papel de aluminio si comienzan a calentarse.

Puede utilizar pequeños pedazos de papel de aluminio para proteger alimentos como las alas de pollo, los extremos de las patas y las colas de pescado, pero el papel no debe tocar los laterales del horno ya que produce chispas, lo que puede dañar el revestimiento del horno.

Tabla de descongelamiento automático

Siga estas instrucciones cuando descongele distintos tipos de alimentos.

categoria	Cantidad estándar	Procedimiento
Carne asada, cerdo	2.5 a 6 lb	Comenzar con el alimento con el lado de la grasa hacia abajo. Después de cada etapa, dar vuelta los alimentos y proteger las partes que están calientes con tiras finas de papel de aluminio.
Bistecs, costillas, pescado	0.5 a 3 lb	Después de cada etapa, reacomodar el alimento. Si hay alguna parte caliente o descongelada, cubrir con pedacitos finos de papel de aluminio. Retirar cualquier parte del alimento que esté casi descongelada. Dejar reposar, con tapa, de 5 a 10 minutos.
Carne molida	0.5 a 3 lb	Después de cada etapa, retirar cualquier parte del alimento que esté casi descongelada. Dejar reposar, cubierta con papel de aluminio, de 5 a 10 minutos.
Pollo entero	2.5 a 6 lb	Retire los menudos antes de descongelar aves. Comenzar a descongelar con el lado de la pechuga hacia abajo. Después de la primera etapa, dar vuelta el pollo y proteger las partes que están calientes con tiras finas de papel de aluminio. Después de la segunda etapa, volver a cubrir cualquier parte caliente con tiras finas de papel de aluminio. Dejar reposar, cubierto, de 30 a 60 minutos en el refrigerador.
Presas de pollo	0.5 a 3 lb	Después de cada etapa, reacomodar o retirar cualquier parte del alimento que esté casi descongelada. Deje reposar de 10 a 20 minutos.
Pan	0.1 - 2 lb	Acomode los bollos en un círculo sobre papel de cocina en la mitad del plato giratorio. Dé vuelta a la mitad del proceso de descongelamiento.

BOTÓN DERRETIR/ABLANDAR

Derretir/Ablandar le permite derretir chocolate, ablandar queso crema y derretir manteca.

Ejemplo: Para derretir chocolate.

1. Toque el **Soften/Melt (Derretir/Ablandar)** botón.
2. Elija la categoría de alimento presionando el **Soften/Melt (Derretir/Ablandar)** botón varias veces.
3. De ser necesario, elija la cantidad de alimento (1 o 2) presionando un botón numérico.
4. Toque el **OK/START (OK/INICIO)** botón.

Tabla de Ablandar / Derretir

Función	Cantidad o porción	Comentarios
Derretir chocolate (St-1)	2 cuadrados o 1 taza de pepitas	Coloque los cuadrados o las pepitas de chocolate en un recipiente apto para microondas. Revolver bien en la mitad del tiempo cuando el horno emita una señal sonora y reiniciar el horno. A menos que se revuelva, el chocolate mantiene su forma incluso cuando termina el tiempo de calentamiento.
Ablandar queso crema (St-2)	1 paquete (8 oz)	Desenvolver el queso crema y colocar en un plato apto para microondas. Dejar reposar 1-2 minutos.
Derretir mantequilla (St-3)	1 barra (1/4 lb)	Quitar el envoltorio y cortar la mantequilla a la mitad en forma vertical. Colocar la mantequilla en el recipiente, cubrir con papel encerado. Revolver bien después de finalizar y dejar reposar 1-2 minutos.
	2 barras (1/2 lb)	

TIEMPOS DE COCCIÓN Y NIVELES DE POTENCIA DEL MICROONDAS

El nivel de potencia le permite controlar la intensidad del calentamiento desde Tibia (1) hasta Alta (10).

Cocción a un nivel de potencia alto (10)

1. Use los botones numéricos para ingresar el tiempo de cocción.
2. Presione el **OK/START (OK/INICIO)** botón.
3. Cuando haya transcurrido el tiempo de cocción, el horno emitirá la señal sonora 4 veces y aparecerá End (Finalización).

 Si no ingresa un nivel de potencia, el horno de microondas cuece en el nivel de potencia Alta de manera predeterminada.

Cocción con bajos niveles de potencia

La cocción con el nivel de potencia alto no siempre le brinda los mejores resultados con los alimentos que necesitan una cocción más lenta, tales como las carnes asadas, los alimentos horneados o los flanes. Su horno tiene 9 ajustes de potencia además del alto.

1. Use los botones numéricos para ingresar el tiempo de cocción.
2. Presione el **Power Level (Nivel de potencia)** botón.
3. Use los botones numéricos para ingresar el nivel de potencia.
4. Presione el **OK/START (OK/INICIO)** botón.
5. Cuando haya transcurrido el tiempo de cocción, el horno emitirá la señal sonora 4 veces y aparecerá End (Finalización).

Cocinar con más de una etapa de cocción

Para obtener mejores resultados, algunas recetas requieren un nivel de potencia durante un tiempo y otro nivel de potencia durante otro tiempo. Su horno puede configurarse para pasar de uno a otro automáticamente.

1. Use los botones numéricos para ingresar el tiempo de cocción.
2. Presione el **Power Level (Nivel de potencia)** botón.
3. Use los botones numéricos para ingresar el nivel de potencia.
4. Use los botones numéricos para ingresar el segundo tiempo de cocción.
5. Presione el **Power Level (Nivel de potencia)** botón.
6. Use los botones numéricos para ingresar el nivel de potencia.
7. Presione el **OK/START (OK/INICIO)** botón.
8. Cuando haya transcurrido el tiempo de cocción, el horno emitirá la señal sonora 4 veces y aparecerá End (Finalización).

 Cuando selecciona más de una etapa de cocción, debe presionar el **Power Level (Nivel de potencia)** botón antes de ingresar en la segunda etapa de cocción y el nivel de potencia.

 Presione el **Power Level (Nivel de potencia)** botón dos veces a fin de programar el nivel de potencia en Alto para una etapa de cocción.

 No puede utilizar la función de descongelamiento con la función de cocción multietapas.

Niveles de potencia

Los 10 niveles le permiten escoger el mejor nivel de potencia para sus necesidades a la hora de cocinar.

Nivel de potencia	Salida del microondas	Utilizar
10 (alto)	100%	Agua hirviendo. Cocinar carne molida. Hacer dulces. Cocinar frutas y verduras frescas. Cocinar pescado y carne de ave. Precalentar una bandeja doradora. Recalentar bebidas. Rebanadas de tocino.
9	90%	Recalentar rebanadas de carne rápidamente. Saltear cebollas, apio y pimienta verde.
8	80%	Recalentar todo tipo de alimentos (plato de mesa, pasta, carne, sopa, salsa, etc.). Cocinar huevos revueltos.
7	70%	Cocinar panes y productos a base de cereales. Cocinar platos con queso, ternera. Cocinar tortas, muffins, brownies, pastelillos individuales.
6	60%	Cocinar pasta.
5	50%	Cocinar carnes, pollo entero. Calentar budines Cocinar pollos enteros, pavo, costillas, costillas asadas, solomillo asado
4	40%	Cocinar cortes de carne menos tiernos. Recalentar comidas rápidas congeladas.
3	30%	Descongelar carne de res, de ave y mariscos. Cocinar pequeñas cantidades de alimentos. Terminar de cocinar guiso, estofado y algunas salsas.
2	20%	Ablandar manteca y queso crema. Calentar pequeñas cantidades de alimentos.
1	10%	Ablandar helado. Leudar masa con levadura.

MODO ECO

El modo Eco reduce el uso de potencia en el estado de espera.

Al presionar el **Eco** botón una vez, la pantalla se apaga y el microondas pasa al modo que minimiza el consumo de energía. Para cancelar el **Modo Eco**, presione el **Eco** botón una vez más, o cualquier otro botón.

guía de utensilios de cocina

Para cocinar alimentos en el horno de microondas, las microondas deben ser capaces de penetrar en los alimentos sin que sean reflejadas o absorbidas por el recipiente.

Es importante escoger los recipientes correctos, por lo tanto, busque los que sean aptos para microondas.

La tabla siguiente enumera diversos tipos de recipientes e indica si pueden utilizarse en un horno de microondas y cómo.



UTENSILIOS APTOS PARA MICROONDAS

Si no está seguro de si un recipiente es apto para microondas, puede realizar la siguiente prueba:

1. Coloque 1 taza de agua (en una taza medidora de vidrio) dentro del horno, junto al recipiente que desea probar.
2. Presione el **Add 30 sec (Agregar 30 s)** botón dos veces para calentarlos durante un minuto en el nivel de potencia Alto.

Después de un minuto, el agua debe estar caliente y el recipiente que está probando debe estar frío. Si el recipiente está caliente, entonces absorbe la energía de microondas y no es apto para usar en este horno.

Utensilios de cocina	Comentarios	
Papel de aluminio	⚠	Puede utilizarse en pequeñas cantidades para evitar que algunas partes del plato se cocinen de más. Se puede producir un arco eléctrico si el papel está demasiado cerca de la pared del horno o si utiliza demasiado.
Plato dorador	✓	No lo precaliente durante más de ocho minutos.
Cerámica, porcelana y cerámica de gres	✓	La porcelana, cerámica, vajilla de barro con vidrio y la porcelana fría suelen ser aptas para hornos de microondas, a menos que estén decoradas con un ribete de metal.
Cajas de cartón y poliéster desechables	✓	Algunos alimentos congelados vienen envasados en estos materiales.
Envases de comida rápida		
Vasos/ recipientes de poliestireno	✓	Pueden utilizarse para calentar alimentos. El sobrecalentamiento puede provocar que el poliestireno se derrita.
Bolsas de papel o periódicos	—	Pueden prenderse fuego.
Papel reciclado o ribetes de metal	—	Puede provocar un arco eléctrico.

Utensilios de cocina	Comentarios	
Recipientes de vidrio		
Recipientes para llevar del horno a la mesa	✓	Puede utilizarse, a menos que esté decorada con un ribete de metal.
Cristalería fina	✓	Puede utilizarse para calentar alimentos o líquidos. La cristalería delicada puede romperse o agrietarse si se calienta repentinamente.
Frascos de vidrio	✓	El vidrio normal es demasiado delgado para usar en un microondas y puede romperse.
Metal		
Recipientes, utensilios	—	Pueden provocar un arco eléctrico o un incendio.
Precintos de alambre de bolsas para congelador	—	Pueden provocar un arco eléctrico o un incendio.
Papel		
Platos, vasos, servilletas de papel y papel de cocina	✓	Solo para una cocción corta o para calentar los alimentos. También para absorber el exceso de humedad.
Papel reciclado	✓	No utilice toallas de papel reciclado, ya que pueden contener metal y producir un incendio o un arco eléctrico.
Plástico		
Recipientes	✓	Pueden utilizarse si son de termoplástico resistente al calor. Algunos plásticos pueden deformarse o perder el color si se los expone a altas temperaturas. No use plástico de melanina.
Film transparente	✓	Puede utilizarse para retener la humedad. No envuelva la comida demasiado ajustada. Tenga cuidado al retirar el film. Puede salir vapor caliente.
Bolsas para congelador	⚠	Solo si son aptas para horno o pueden hervirse. No deben ser herméticas. De ser necesario, pínchelas con un tenedor.
Papel encerado o parafinado	✓	Puede utilizarse para retener la humedad y evitar las salpicaduras.
Termómetro	✓	Use solamente aquellos marcados "Microwave Safe" (Aptos para microondas) y siga las indicaciones. Controle la temperatura en varios lugares. Puede utilizar los termómetros convencionales en los alimentos una vez que hayan sido retirados del horno.
Paja, mimbre y madera	⚠	Úselos solo para calentar durante períodos breves, dado que estos materiales son inflamables.

✓ : Uso recomendado

⚠ : Usar con precaución

— : Inseguro / No usar

guía de cocción

La energía de microondas penetra verdaderamente en los alimentos y es atraída y absorbida por el agua, la grasa y el azúcar de los alimentos. Las microondas provocan que las moléculas de los alimentos se muevan con rapidez. El movimiento veloz de estas moléculas crea fricción y el calor resultante cocina los alimentos.

SUGERENCIAS GENERALES PARA COCINAR EN MICROONDAS

Los alimentos densos, como las papas, demoran más tiempo en calentarse que los alimentos más livianos. Los alimentos con una textura delicada deben calentarse a un nivel de potencia bajo para evitar que se endurezcan.

Los alimentos con una piel no porosa, tales como las papas o las salchichas, deben pincharse para evitar que exploten.

No se recomienda freír con aceite caliente o grasa en el microondas. La grasa y el aceite pueden hervir de repente y causar quemaduras graves.

Algunos ingredientes se calientan más rápido que otros. Por ejemplo, la jalea dentro de una dona se calentará más que la dona misma. Tenga esto en cuenta para evitar quemaduras.

El alto y el tipo de recipiente de cocción que utiliza puede afectar el tiempo de cocción. Cuando pruebe una receta nueva, use el tiempo de cocción mínimo y controle los alimentos de vez en cuando para evitar el exceso de cocción.

No se recomienda el enlatado casero en el horno de microondas porque es posible que no todas las bacterias nocivas se destruyan como consecuencia del proceso de calentamiento del microondas.

Si bien las microondas no calientan los recipientes de cocción, el calor de los alimentos suele transferirse a dichos recipientes.

Siempre use guantes protectores contra el calor cuando retire alimentos del microondas e indique a los niños que hagan lo mismo.

No se recomienda hacer caramelo en el microondas, ya que puede calentarse hasta llegar a temperaturas muy altas. Tenga esto en cuenta para evitar lesiones.

Técnicas de cocción



Si el horno está programado para cocinar durante más de 25 minutos, después de ese tiempo se ajustará automáticamente a una potencia del 70 por ciento para evitar que se pase la comida.

Revolver

Abra la puerta del microondas y revuelva los alimentos, tales como guisos y verduras, mientras los cocina para distribuir el calor en forma pareja. Los alimentos en la parte exterior del recipiente absorben más energía y se calientan con mayor rapidez, por lo tanto, revuélvalos desde el exterior hacia el centro. El horno se apagará cuando usted abra la puerta para revolver los alimentos.

Disposición

Disponga los alimentos, tales como presas de pollo o chuletas, de forma irregular con las partes más gruesas y carnosas hacia el exterior del plato giratorio, en donde pueden recibir más energía del microondas. Para evitar el exceso de cocción, coloque las partes delgadas o delicadas hacia el centro del plato giratorio.

Protección

Proteja los alimentos con tiras angostas de papel de aluminio para evitar el exceso de cocción. Las áreas que requieren protección son las puntas de las alas, los extremos de las patas de las aves y las

esquinas de recipientes para hornear cuadrados. Use solo pequeñas cantidades de papel de aluminio. Las cantidades más grandes pueden dañar su horno.

Dar vuelta

Dé vuelta los alimentos en la etapa intermedia del ciclo de cocción para exponer todas las partes a la energía de microondas. Esto es de vital importancia para productos grandes, como por ejemplo, carnes asadas.

Dejar reposar

Los alimentos cocidos en el microondas acumulan calor interno y continúan cocinándose durante algunos minutos después de que el horno se detiene. Deje que los alimentos reposen para completar el proceso de cocción, en especial aquellos alimentos, como por ejemplo, carnes asadas y vegetales enteros. Las carnes asadas necesitan este tiempo para completar la cocción en el centro sin cocinar en exceso las áreas exteriores. Todos los líquidos, como por ejemplo, la sopa o el chocolate caliente, deben agitarse o revolverse cuando finaliza la cocción. Deje que los líquidos reposen un momento antes de servirlos. Cuando calienta alimentos para bebés, revuélvalos bien y controle la temperatura antes de servirlos.

Agregar humedad

La energía de microondas es atraída hacia las moléculas de agua. Los alimentos con un contenido de humedad irregular deben cubrirse o dejarse reposar de modo que el calor se disperse uniformemente. Agregue una pequeña cantidad de agua a los alimentos secos para ayudarlos a cocinarse.

Ventilación

Después de cubrir un recipiente con un envoltorio plástico, ventílelo al destapar un extremo y permitir que se libere el exceso de vapor.

COCINAR CARNE

Coloque el lado de la grasa de la carne hacia abajo, sobre una asadera para microondas, en una fuente apta para microondas. Utilice tiras finas de papel de aluminio para proteger cualquier punta de hueso o trozos de carne delgados. Controle la temperatura en varios lugares antes de dejar reposar la carne el tiempo recomendado.

Las siguientes son las temperaturas a las que se deben retirar los alimentos. La temperatura del alimento aumentará durante el tiempo de reposo.

Alimentos	Tiempo de cocción/ Nivel de potencia	Instrucciones
Rosbif (sin hueso) Hasta 4 lb	Tiempo de cocción: 10-15 min/lb para 145 °F - Jugoso 12-17 min/lb para 160 °F - A punto 14-19 min/lb para 170 °F - Cocido	Coloque el lado de la grasa hacia abajo en la asadera y cúbralo con papel encerado. Dé vuelta a la mitad del proceso de cocción. Deje reposar de 10 a 15 minutos.
	Nivel de potencia: Alto (10) durante los primeros 5 minutos, luego Medio (5).	

Alimentos	Tiempo de cocción/ Nivel de potencia	Instrucciones
Puerco (sin hueso o con hueso) Hasta 4 lb	Tiempo de cocción: 15-20 min/lb a 170 °F Cocido	Coloque el puerco con el lado de la grasa hacia abajo en la asadera y cúbralo con papel encerado. Dé vuelta a la mitad del proceso de cocción. Deje reposar de 10 a 15 minutos.
	Nivel de potencia: Alto (10) durante los primeros 5 minutos, luego Medio (5).	

Las siguientes son las temperaturas a las que se deben retirar los alimentos. La temperatura del alimento aumentará durante el tiempo de reposo. Tenga en cuenta que se producirá un incremento de 10 °F en la temperatura durante el tiempo de reposo.

Alimentos		Al sacarlo del horno	Después del tiempo de reposo (10 MIN.)
Vacuno	Poco cocido	135 °F	145 °F
	Medio	150 °F	160 °F
	Bien cocido	160 °F	170 °F
Cerdo	Medio	150 °F	160 °F
	Bien cocido	160 °F	170 °F
Carne de ave	Carne oscura	170 °F	180 °F
	Carne blanca	160 °F	170 °F

COCINAR CARNE DE AVE

Coloque la carne de ave sobre una asadera para microondas en una fuente para microondas y cúbrala con papel encerado para evitar salpicaduras. Utilice papel de aluminio para cubrir las puntas de los huesos, los trozos de carne delgada o las áreas que comienzan a cocinarse demasiado.

Controle la temperatura en varios lugares antes de dejar reposar la carne de ave el tiempo recomendado.

Alimentos	Tiempo de cocción/Nivel de potencia	Instrucciones
Pollo entero Hasta 4 lb	Tiempo de cocción: 6-10 min/lb 180 °F carne oscura 170 °F carne clara	Coloque el lado de la pechuga del pollo hacia abajo en la asadera. Cúbralo con papel encerado. Dé vuelta a la mitad del proceso de cocción. Cocine hasta que los jugos se aclaren y la carne cerca del hueso ya no sea rosada. Deje reposar de 5 a 10 minutos.
	Nivel de potencia: Medio alto (7).	
Trozos de pollo Hasta 2 lb	Tiempo de cocción: 6-9 min/lb 180 °F carne oscura 170 °F carne clara	Coloque el lado del hueso del pollo hacia abajo en la fuente, con las porciones más gruesas hacia la parte externa del plato. Cúbralo con papel encerado. Dé vuelta a la mitad del proceso de cocción. Cocine hasta que los jugos se aclaren y la carne cerca del hueso ya no sea rosada. Deje reposar de 5 a 10 minutos.
	Nivel de potencia: Medio alto (7).	

COCINAR MARISCOS

Coloque el pescado sobre una asadera para microondas en un recipiente para microondas. Utilice una cubierta ceñida para cocinar el pescado al vapor. Una cubierta más liviana de papel encerado o toalla de papel disminuirá el vapor. Cocine el pescado hasta que se pueda desmenuzar fácilmente con un tenedor. No cocine en exceso los alimentos. Verifique el nivel de cocción después del tiempo mínimo.

Alimentos	Tiempo de cocción/Nivel de potencia	Instrucciones
Filetes de atún y salmón Hasta 1.5 lb	Tiempo de cocción: 7-11 min/lb	Acomode los filetes en la asadera con las porciones más carnosas hacia la parte exterior de la misma. Cúbralo con papel encerado. Délos vuelta a la mitad del proceso de cocción. Cocine el pescado hasta que se pueda desmenuzar fácilmente con un tenedor. Deje reposar de 3 a 5 minutos.
	Nivel de potencia: Medio-Alto (7).	
Filetes Hasta 1.5 lb	Tiempo de cocción: 4-8 min/lb	Acomode los filetes en una fuente para horno, introduciendo cualquier pedazo finito debajo del mismo. Cúbralo con papel encerado. Si los filetes tienen más de ½ pulgada de espesor, délos vuelta a la mitad del proceso de cocción. Cocine el pescado hasta que se pueda desmenuzar fácilmente con un tenedor. Dejar reposar durante 2-3 minutos.
	Nivel de potencia: Medio-Alto (7).	
Camarones Hasta 1.5 lb	Tiempo de cocción: 4-6½ min/lb	Acomode los camarones en una fuente para horno sin superponerlos ni formar capas. Cúbralo con papel encerado. Cocinar hasta que estén firmes y opacos, revolviendo 2 o 3 veces. Dejar reposar durante 5 minutos.
	Nivel de potencia: Medio-Alto (7).	

COCINAR HUEVOS

Puede utilizar el horno de microondas para cocinar huevos. Cocínelos hasta que apenas se endurezcan, ya que quedan demasiado duros si se pasan.



Nunca cocine huevos con cáscara y nunca caliente los huevos duros con la cáscara. Los huevos cocidos o calentados con la cáscara pueden explotar. Siempre perfore los huevos enteros para evitar que estallen.

COCINAR VERDURAS

Las verduras deben lavarse antes de cocinarlas. Por lo general, no se necesita agua adicional. Agregue alrededor de ¼ de taza de agua cuando cocine verduras densas tales como papas, zanahorias y judías verdes.

Las verduras pequeñas (zanahorias en rebanadas, arvejas, frijoles, etc.) se cocinan más rápido que las verduras más grandes. Las verduras enteras, tales como las papas, calabazas o mazorca, deben acomodarse en círculo en el plato giratorio antes de cocinarlas. Se cocinarán de manera más uniforme si se los da vuelta

una vez transcurrida la mitad del proceso de cocción. Siempre coloque los vegetales como espárragos y brócoli con los tallos apuntando hacia el borde de la fuente y las puntas hacia el centro.

Cuando cocine verduras cortadas, siempre cubra la fuente con una tapa o un envoltorio plástico para microondas con ventilación.

Los vegetales enteros sin pelar, tales como las papas, calabazas, berenjenas, etc., deben pincharse en varios lugares antes de cocinarlos para evitar que estallen.

Para obtener resultados de cocción más parejos, revuelva o reacomode los vegetales enteros a la mitad del tiempo de cocción. Por lo general, cuanto más densa es la comida, mayor debe ser el tiempo de reposo. (El tiempo de reposo hace referencia al tiempo necesario para que los vegetales y los alimentos densos y grandes terminen de cocinarse una vez que salen del horno). Una papa al horno puede reposar en la mesada durante cinco minutos antes de que se complete la cocción, mientras que una fuente de arvejas puede servirse de inmediato.

RECETAS

Estofado de carne y cebada

1½ lb de cubos de carne para estofado, cortados en trozos de ½ pulgada

½ taza de cebolla picada

2 cucharadas de harina común

1 cda. Salsa inglesa

1 lata (13.75-14.5 oz.) de caldo de carne

2 zanahorias medianas, cortadas en rodajas de ½ pulgada. (aprox. 1 taza)

½ taza de cebada

1 hoja de laurel

¼ cucharada de pimienta

1 paquete (9-10 oz) de arvejas descongeladas

1. En una fuente de 2 cuartos de galón, incorpore la carne, la cebolla, la harina y la salsa inglesa, y mezcle bien. Cubra con una tapa. Cocine a potencia Alta de 6 a 8 minutos hasta que la carne ya no esté rosa, revolviendo una vez.
2. Incorpore el caldo de carne, las zanahorias, la cebada, las hojas de laurel y la pimienta; revuelva todo. Cubra con una tapa. Cocine a potencia media de 1 a 1½ hora hasta que las zanahorias y la carne estén tiernas, y revuelva 2 o 3 veces.
3. Incorpore las arvejas. Cubra con una tapa. Cocine a potencia media durante 10 minutos. Deje reposar 10 minutos. Quite las hojas de laurel antes de servir.

Se obtienen 6 porciones.

Guisado de brócoli y queso

¼ de taza de manteca o margarina

¼ de taza de cebolla picada

1½ cucharada de harina

½ cucharada de sal

¼ de cucharada de mostaza en polvo

⅛ cucharada de pimienta

1½ taza de leche

¼ de taza de pimiento rojo picado

8 oz (2 tazas) de queso cheddar rallado

1 paquete (9-10 oz) de brócoli picado y descongelado

4 tazas de fideos tirabuzón cocidos (8 oz secos)

1. En una fuente de 2 cuartos de galón, cocine la manteca y la cebolla a potencia alta de 1 a 2 minutos hasta que la cebolla esté blanda, y revuelva una vez.
2. Agregue la harina, la sal, la mostaza y la pimienta; mezcle bien. Cocine a potencia alta de 30 a 60 segundos hasta que la mezcla hierva. Incorpore la leche revolviendo hasta obtener una mezcla uniforme.

3. Incorpore el pimiento rojo. Cocine a potencia alta de 2 a 3 minutos hasta que la mezcla hierva y se espese ligeramente; revuelva dos veces. Incorpore el queso y revuelva hasta que se derrita.

4. Agregue los brócolis y los fideos; mezcle bien. Cubra con una tapa. Cocine a potencia alta de 4 a 6 minutos hasta que se caliente toda la preparación, y revuelva una vez. Revolver antes de servir.

Se obtienen 6 porciones.

Ensalada tibia de papas

2 lb de pequeñas papas rojas, cortadas en trozos de ½ pulgada

4 rodajas de panceta (sin cocinar), cortadas en trozos de ½ pulgada

¼ de taza de cebolla picada

2 cucharadas de azúcar

1 cucharada de sal

1 cucharada de harina

½ cucharada de semillas de apio

⅛ cucharada de pimienta

2½ cucharadas de vinagre de manzana

1. En una fuente de 2 cuartos de galón, mezcle las patatas y ¼ de taza de agua. Cubra con una tapa. Cocine a potencia alta hasta que las patatas estén tiernas (7 a 10 minutos); revuelva dos veces. Escúrralas y apártelas para que se enfríen un poco.
2. En un recipiente mediano, cocine la panceta a potencia alta hasta que se vea crocante (2½ - 3½ minutos); revuelva una vez. Coloque la panceta sobre una toalla de papel. Reserve 1 cucharada de grasa.
3. Mezcle la grasa con la cebolla. Cubra con un envoltorio de plástico, destape un extremo para ventilar el vapor. Cocine a potencia alta hasta que se ablande (1½ - 2½ minutos); revuelva una vez.
4. Incorpore el azúcar, la sal, la harina, las semillas de apio y la pimienta. Cocine a potencia alta hasta que la mezcla hierva (30 a 40 segundos). Incorpore el vinagre y ½ taza de agua. Cocine a potencia alta hasta que el líquido hierva y se espese ligeramente (1 a 2 minutos); revuelva una vez. Agregue panceta al aderezo. Sirva el aderezo sobre las papas. Mezcle bien.

Se obtienen 6 porciones.

Sopa de frijoles negros

1 taza de cebolla picada

1 diente de ajo picado

2 latas (de 15 oz cada una) de frijoles negros escurridos

1 lata (14 -16 oz) de tomates guisados picados

1 lata (13.75-14.5 oz) de caldo de gallina

1 lata (7-8.5 oz) de maíz

1 lata (4 oz) de chile verde picado

1 o 2 cucharadas de comino molido

1. Coloque la cebolla y el ajo en una fuente de 3 cuartos de galón. Cubra con una tapa. Cocine a potencia alta de 2 a 4 minutos hasta que se ablanden.
2. Agregue una lata de frijoles y píselos con un tenedor. Agregue el resto de los ingredientes y mezcle bien.
3. Cocine sin tapa a potencia alta durante 10 minutos; revuelva. Baje a potencia media y cocine durante 5 minutos. Revolver antes de servir.

Se obtienen alrededor de 2 cuartos de galón.

limpieza y mantenimiento de su horno de microondas

Mantener limpio su horno de microondas mejora su desempeño, previene reparaciones innecesarias y prolonga su vida útil.

LIMPIEZA DEL EXTERIOR

Lo mejor es limpiar los derrames en la parte externa de su microondas no bien ocurren. Utilice un paño suave y tibio, agua con jabón. Enjuague y seque.



No permita que el agua llegue a los orificios de ventilación. No utilice nunca productos abrasivos o solventes químicos, como amoníaco o alcohol, ya que pueden dañar el aspecto de su microondas.

Limpieza debajo de su horno de microondas

Limpe periódicamente la grasa y el polvo en la parte inferior de su microondas utilizando una solución de agua tibia y detergente.

Limpieza del panel de control

Límpielo con un paño húmedo y séquelo bien. No utilice productos de limpieza en aerosol, grandes cantidades de agua y jabón ni objetos abrasivos o puntiagudos sobre el panel ya que puede dañarse fácilmente.

Limpieza de la puerta y sus trabas

Siempre asegúrese de que las trabas de la puerta estén limpias y de que la puerta cierre adecuadamente. Tenga especial cuidado al limpiar las trabas de la puerta para asegurarse de que no se acumulen partículas que impidan que la puerta se cierre correctamente. Lave la puerta de vidrio con un detergente muy suave y agua. Asegúrese de utilizar un paño suave para evitar rayarla.

Si se acumula una delgada película de agua dentro o fuera de la puerta del horno, límpielo con un paño suave. Se puede acumular una delgada película de agua cuando el horno funciona con mucha humedad y esto no indica una fuga del microondas de ninguna manera.

LIMPIEZA DEL INTERIOR



Asegúrese de que el horno de microondas se haya enfriado antes de limpiarlo para evitar lesiones.



Saque la charola de vidrio cuando limpie el horno o la charola. Para evitar que la charola se rompa, manipúlela con cuidado y no la ponga en agua inmediatamente después de cocinar. Lave la charola con cuidado en agua jabonosa tibia o en el lavavajillas.

Limpe las superficies del interior (cavidad del horno) de su horno de microondas periódicamente para quitar cualquier salpicadura o mancha. Para quitar trozos de comida endurecidos y eliminar olores, coloque 2 tazas de agua (agregue jugo de limón para obtener una mayor frescura) en un vaso medidor de cuatro tazas. Haga funcionar el horno a potencia alta durante 5 minutos o hasta que el agua hierva. Deje reposar el agua en el horno durante uno o dos minutos.

LIMPIEZA DEL ANILLO Y EL PLATO GIRATORIO.

Limpe los anillos giratorios periódicamente y lave el plato giratorio tanto como sea necesario. El plato giratorio puede lavarse perfectamente en la lavavajillas.

ALMACENAMIENTO Y REPARACIÓN DE SU HORNO DE MICROONDAS

Si debe guardar su horno de microondas durante un período corto o prolongado, escoja un lugar seco y sin polvo. El polvo y la humedad pueden afectar el funcionamiento de las piezas del microondas.

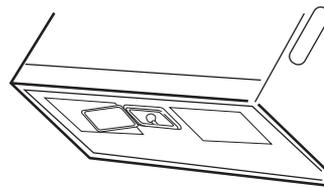


- No repare, reemplace ni realice el mantenimiento de ninguna pieza de su microondas sin asistencia profesional. Llame únicamente a un técnico calificado para realizar reparaciones. Si el horno presenta fallas y requiere servicio técnico, o si tiene dudas sobre su funcionamiento, desenchufe el horno del tomacorriente y comuníquese con su centro de servicio técnico Samsung más cercano.
- No utilice el horno si está dañado, en especial cuando la puerta o los burletes de la puerta se encuentran dañados. Entre los daños de la puerta se incluyen: bisagras rotas, burletes desgastados o cubiertas deformadas/dobladas.
- No retire el horno de su cubierta.
- Este horno de microondas es únicamente para uso doméstico y no ha sido diseñado para un uso comercial.

REEMPLAZO DE LA LUZ DE LA CUBIERTA/ LUZ DE NOCHE

Al reemplazar la luz de la cubierta/luz de noche, asegúrese de usar guantes para evitar lesiones por el calor del foco.

1. Desenchufe el horno o corte la electricidad de la fuente de alimentación principal.
2. Retire el tornillo de la tapa de la luz y baje esta.
3. Reemplace el foco con una bombilla incandescente de 40 vatios.
4. Vuelva a colocar la cubierta y el tornillo.
5. Conecte la energía eléctrica en el suministro principal o enchufe el microondas.

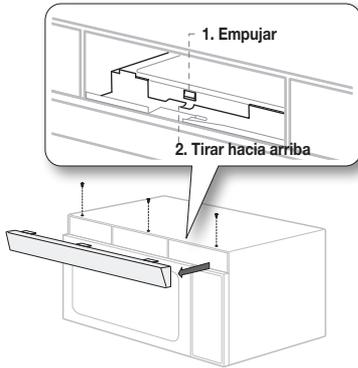


REEMPLAZO DE LA LUZ DEL HORNO

Al reemplazar la luz del horno, asegúrese de usar guantes para evitar lesiones por el calor del foco.

1. Desenchufe el horno o corte la electricidad de la fuente de alimentación principal.
2. Abra la puerta.
3. Retire los tornillos de montaje de la cubierta de ventilación (3 tornillos del medio).
4. Corra la rejilla de ventilación hacia la izquierda y retírela directamente.
5. Retire el filtro de carbón, si lo hubiere.

6. Retire la cubierta empujando el gancho y tirando de la palanca hacia arriba.
7. Retire la bombilla girándola con cuidado.
8. Reemplace la bombilla con una bombilla para electrodomésticos de 40 watts.
9. Vuelva a colocar el portabombilla.
10. Vuelva a colocar la tapa de la ventilación y los 3 tornillos.
11. Conecte la energía eléctrica o enchufe el microondas.



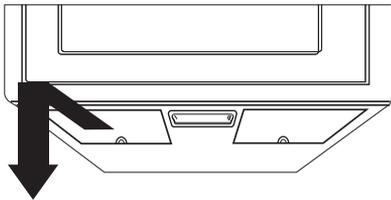
LIMPIEZA DEL FILTRO DE GRASA

Su horno de microondas cuenta con dos filtros de grasa metálicos reutilizables. Los filtros de grasas deben retirarse y limpiarse al menos una vez por mes o cuando sea necesario.



Para evitar el riesgo de lesiones personales o de daños materiales, no encienda la campana del horno sin los filtros en su lugar.

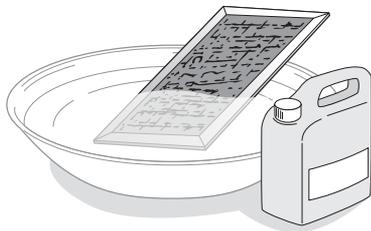
1. Para retirar el filtro, deslícelo hacia la izquierda (o derecha) usando la lengüeta.



2. Remoje el filtro de grasa en agua caliente con un detergente suave. Enjuáguelo bien y sacúdalo hasta que se seque. Al cepillar el filtro ligeramente podrá quitar la suciedad incrustada.



No utilice amoníaco ni intente secar el filtro de grasa dentro del horno de microondas. El aluminio se oscurecerá.

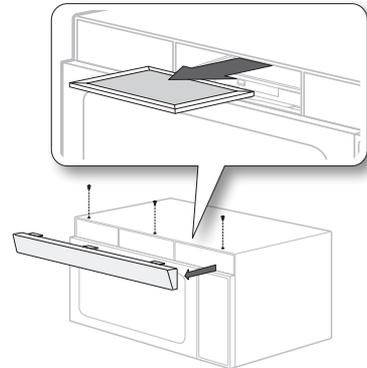


3. Para colocar nuevamente el filtro, deslícelo en la ranura del marco sobre la izquierda (o derecha), luego empújelo hacia arriba y hacia la derecha (o izquierda) para trabarlo.

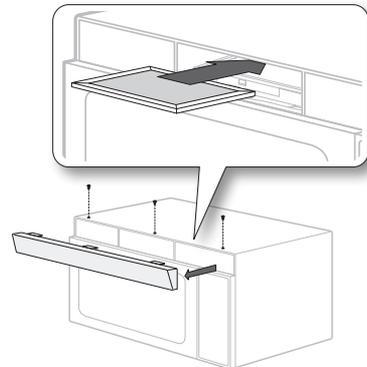
REEMPLAZO DEL FILTRO DE CARBÓN

Si su horno tiene ventilación hacia el interior, el filtro de carbón debe reemplazarse cada 6 a 12 meses, y más a menudo si es necesario. El filtro de carbón no puede limpiarse. Para solicitar un nuevo filtro de carbón, comuníquese con SamsungParts al 1-800-627-4368 o con el distribuidor Samsung más cercano. También puede solicitar en línea en www.samsungparts.com

1. Desenchufe el horno o corte la electricidad de la fuente de alimentación principal.
2. Abra la puerta.
3. Retire los tornillos de montaje de la rejilla de ventilación (3 tornillos del medio).
4. Corra la rejilla de ventilación hacia la izquierda y retírela directamente.
5. Oprima el gancho y extraiga el filtro viejo.



6. Inserte un nuevo filtro de carbón en su lugar. El filtro debe quedar instalado en el ángulo que se muestra.
7. Vuelva a colocar la rejilla de ventilación y los 3 tornillos y cierre la puerta. Vuelva a conectar la corriente y configure el reloj.



resolución de problemas

Verifique estas soluciones si tiene algún problema con su microondas:

Problema	Soluciones
La pantalla y/o el horno no funciona.	Asegúrese de que el enchufe esté conectado adecuadamente a un tomacorriente con conexión a tierra. Si el tomacorriente está controlado por un interruptor de pared, asegúrese de que el interruptor de pared esté encendido. Retire el enchufe del tomacorriente, espere diez segundos y vuelva a enchufarlo. Reinicie el disyuntor o reemplace cualquier fusible quemado. Enchufe un electrodoméstico distinto en ese tomacorriente. Si el otro electrodoméstico no funciona, llame a un electricista calificado para que repare el tomacorriente de la pared. Enchufe el horno en un tomacorriente diferente.
La pantalla funciona, pero el horno no se enciende.	Asegúrese de que la puerta esté bien cerrada. Verifique si hay algún material de empaque o cualquier otro elemento atrapado en el burlete de la puerta. Verifique si la puerta está dañada. Presione Cancelar dos veces e ingrese todas las instrucciones de cocción nuevamente.
¿El horno se apaga antes de que transcurra el tiempo programado?	Si hubo un corte de electricidad, el indicador de tiempo mostrará: 88:88. Si no se produjo ningún corte de energía, retire el enchufe del tomacorriente, espere diez segundos y vuelva a enchufarlo. Vuelva a configurar el reloj y cualquier instrucción de cocción. Reinicie el disyuntor o reemplace cualquier fusible quemado.
Cocina los alimentos muy lentamente.	Asegúrese de que el horno tenga su propio circuito de 15 o 20 A. Poner en funcionamiento otro electrodoméstico en el mismo circuito puede causar una caída de tensión. Si es necesario, enchufe el horno en su propio circuito.
Genera chispas o arco eléctrico.	Retire cualquier utensilio metálico, artículos de cocina o ataduras de metal. Si usa papel de aluminio, utilice solo tiras pequeñas y deje al menos una pulgada de distancia entre el papel de aluminio y las paredes internas del horno.
El plato giratorio hace ruido o se atora.	Limpie el plato giratorio, el anillo giratorio y el piso del horno. Asegúrese de que el plato y el anillo giratorio estén colocados correctamente.
Provoca interferencias con la televisión o la radio.	Esto es similar a la interferencia causada por otros electrodomésticos pequeños, como por ejemplo, los secadores de cabello. Aleje más el microondas (o electrodoméstico) de otros electrodomésticos afectados, como la TV o radio.
La fuerza de succión del motor del ventilador es demasiado débil.	Ajuste el ventilador en un nivel alto. El ventilador solo funcionará en el modo de velocidad baja mientras el microondas esté en funcionamiento.

Problema	Soluciones
El ruido de funcionamiento es demasiado fuerte.	El microondas hace ruido durante el funcionamiento. Esto es normal. Si oye continuamente un ruido anormal, comuníquese con el Centro de Llamadas de Samsung (1-800-726-7864).
La luz de la lámpara superior de cocción está demasiado atenuada.	Establezca el nivel de brillo de la lámpara en alto.
Resulta difícil reemplazar el filtro de carbón.	Consulte las instrucciones para reemplazar el filtro de carbón en el manual del usuario.
El plato giratorio no gira correctamente.	Asegúrese de que no haya demasiados alimentos sobre el plato giratorio. Si los alimentos ocupan mucho espacio o pesan demasiado, es posible que el plato giratorio no funcione correctamente.

apéndice

Especificaciones

Número de modelo	ME17R7021E*/AA/A2	
Cavidad del horno: 1.7 pies cúbicos	Temporizador : 99 minutos, 99 segundos	Controles : 10 niveles de potencia e incluye descongelamiento
Fuente de alimentación : 120 V CA, 60 Hz	Salida de potencia : 1000 vatios	Consumo de potencia : 1580 vatios
Peso neto/envío	ST : 48.3 / 55.1 lb B/W : 47.0 / 54.0 lb	
Dimensiones externas	29 ⁷ / ₈ "(Ancho) X 17 ¹ / ₁₆ "(Alto) X 16 ¹ / ₂ "(Prof.)	
Dimensiones de la cavidad del horno	19 ⁵ / ₁₆ "(Ancho) X 9 ⁵ / ₈ "(Alto) X 14 ³ / ₈ "(Prof.)	
Dimensiones para el envío	33 ¹¹ / ₃₂ "(Ancho) X 20 ²⁵ / ₃₂ "(Alto) X 19 ³ / ₈ "(Prof.)	
Número de modelo	ME17R70*1E*/AC	
Cavidad del horno: 1.7 pies cúbicos	Temporizador : 99 minutos, 99 segundos	Controles : 10 niveles de potencia e incluye descongelamiento
Fuente de alimentación : 120 V CA, 60 Hz	Salida de potencia: 1000 vatios	Consumo de potencia : 1500 vatios
Peso neto/envío	ST : 48.3 / 55.1 lb B/W : 47.0 / 54.0 lb	
Dimensiones externas	29 ⁷ / ₈ "(Ancho) X 17 ¹ / ₁₆ "(Alto) X 16 ¹ / ₂ "(Prof.)	
Dimensiones de la cavidad del horno	19 ⁵ / ₁₆ "(Ancho) X 9 ⁵ / ₈ "(Alto) X 14 ³ / ₈ "(Prof.)	
Dimensiones para el envío	33 ¹¹ / ₃₂ "(Ancho) X 20 ²⁵ / ₃₂ "(Alto) X 19 ³ / ₈ "(Prof.)	

garantía limitada (EE. UU.)

HORNO DE MICROONDAS SAMSUNG PARA INSTALAR SOBRE LA ESTUFA

GARANTÍA LIMITADA AL COMPRADOR CONSUMIDOR ORIGINAL CON PRUEBA DE COMPRA

El presente producto de la marca SAMSUNG, tal como lo provee y distribuye SAMSUNG ELECTRONICS AMERICA, INC. (SAMSUNG) y lo entrega como nuevo, en su caja de cartón original al comprador consumidor original, está garantizado por SAMSUNG contra defectos de fabricación de los materiales o la mano de obra durante el período limitado de la garantía, a partir de la fecha original de compra, de:

Un (1) año para piezas y mano de obra

Diez (10) años para el magnetrón (solo la pieza)

La presente garantía limitada es válida únicamente para productos comprados y usados en Estados Unidos que fueron instalados, operados y mantenidos de acuerdo con las instrucciones adjuntas o provistas con el producto. Para recibir el servicio técnico en garantía, el comprador debe comunicarse con SAMSUNG en la dirección o el teléfono que figuran más abajo con el fin de que se determine el problema y los procedimientos del servicio. El servicio técnico de la garantía solo puede ser prestado por un centro de servicio técnico autorizado de SAMSUNG. Para recibir el servicio técnico en garantía debe presentarse la factura original de compra fechada cuando así lo solicite SAMSUNG o el Centro de Servicio autorizado Samsung como prueba de compra.

Samsung brindará servicio técnico a domicilio dentro del territorio contiguo de Estados Unidos durante el período de garantía sin cargo, sujeto a la disponibilidad de los centros de servicio autorizados por SAMSUNG dentro de la zona geográfica del cliente. Si el servicio técnico a domicilio no está disponible, SAMSUNG puede, a su elección, optar por transportar el producto hasta y desde un centro de servicio técnico autorizado. Si el producto está ubicado en una zona en la que no se encuentra disponible ningún centro de servicio autorizado por SAMSUNG, usted podrá ser responsable del cargo por transporte o se le podrá requerir que transporte el producto a un centro de servicio autorizado por SAMSUNG para recibir asistencia técnica.

Para recibir el servicio técnico a domicilio, el producto no debe presentar obstrucciones y debe ser accesible para el agente del servicio técnico.

Durante el período de garantía aplicable, el producto se reparará o se reemplazará, o se devolverá el importe de compra, a la entera discreción de SAMSUNG. SAMSUNG podrá usar piezas nuevas o reacondicionadas para la reparación del producto, o reemplazar el producto por un producto nuevo o reacondicionado. La vigencia de la garantía de las piezas y los productos reemplazados será por el período restante de la garantía original del producto o por un período de noventa (90) días, el que sea el más largo. Todas las piezas y los productos reemplazados son propiedad de SAMSUNG y deben ser devueltos a SAMSUNG.

La presente garantía limitada cubre defectos de fabricación de los materiales o la mano de obra que ocurran durante el uso normal y doméstico de este producto y no cubrirá lo siguiente: daños que ocurran durante el envío, entrega e instalación y usos para los cuales el presente producto no fue destinado; daños causados por modificación o alteración no autorizada del producto; producto cuyos números de serie originales de fábrica fueron eliminados, desfigurados, alterados en algún modo o que no se puedan determinar fácilmente; daños cosméticos incluyendo rayones, hendiduras, abolladuras y otros daños al acabado del producto; daño causado por abuso

o mal uso, plagas, accidente, incendio, inundación u otros casos fortuitos o de fuerza mayor; daño causado por el uso de equipo, utilidades, servicios, piezas, suministros, accesorios, aplicaciones, instalaciones, reparaciones, cableado externo o conectores no provistos ni autorizados por SAMSUNG; daño causado por línea eléctrica o voltaje incorrecto, fluctuaciones y sobretensión; daño causado por no operar y mantener el producto de acuerdo con las instrucciones; instrucción a domicilio acerca de cómo usar el producto; y servicio técnico para corregir una instalación que no cumpla con los códigos eléctricos o de plomería o corrección de cableado eléctrico o tuberías (es decir, cableado doméstico, fusibles o mangueras de entrada de agua).

El costo de reparación o reemplazo bajo estas circunstancias excluidas será responsabilidad del cliente.

Las visitas de un proveedor de servicio técnico autorizado para explicar funciones, mantenimiento o instalación del producto no se cubren bajo esta garantía limitada. Comuníquese con Samsung al número que figura abajo para obtener ayuda con cualquiera de estos problemas.

Samsung le aplicará un cargo de reparación por reemplazar un accesorio o por reparar un daño cosmético si el daño a la unidad o el daño/pérdida del accesorio es causado por el cliente. Esto incluye:

- Puerta, manija, panel exterior o panel de control abollados, rayados o rotos
- Bandeja, rodillo de guía, acoplador, filtro o rejilla rotos o faltantes

SAMSUNG podrá enviar al cliente las piezas que considera que el usuario puede instalar por sí mismo. A su discreción, SAMSUNG puede enviar un prestador de servicio técnico autorizado para que realice dicha instalación.

EXCLUSIÓN DE GARANTÍAS IMPLÍCITAS

LAS GARANTÍAS IMPLÍCITAS, INCLUYENDO GARANTÍAS IMPLÍCITAS DE COMERCIABILIDAD O APTITUD PARA UN PROPÓSITO EN PARTICULAR, ESTÁN LIMITADAS A UN AÑO O AL PERÍODO MÁS CORTO PERMITIDO POR LA LEY. Algunos estados no permiten limitaciones en cuanto al período de vigencia de una garantía implícita, de tal forma que las limitaciones o exclusiones mencionadas tal vez no se apliquen a usted en particular. Esta garantía le otorga derechos específicos, e incluso usted también puede tener otros derechos que varían de un estado a otro.

LIMITACIÓN DE RECURSOS

EL ÚNICO Y EXCLUSIVO RECURSO ES LA REPARACIÓN DEL PRODUCTO, EL REEMPLAZO DEL PRODUCTO O LA DEVOLUCIÓN DEL IMPORTE DE COMPRA, A DISCRECIÓN DE SAMSUNG, CONFORME A ESTA GARANTÍA LIMITADA. SAMSUNG NO SERÁ RESPONSABLE POR DAÑOS ESPECIALES, IMPREVISTOS O DERIVADOS, INCLUYENDO ENTRE OTROS, TIEMPO FUERA DEL TRABAJO, HOTELES Y/O COMIDAS EN RESTAURANTES, GASTOS DE REMODELACIÓN, PÉRDIDAS DE INGRESOS O GANANCIAS, INCAPACIDAD DE GENERAR AHORROS U OTROS BENEFICIOS INDEPENDIEMENTE DE LA TEORÍA LEGAL EN LA QUE SE BASE EL RECLAMO, E INCLUSO SI SAMSUNG HA SIDO ADVERTIDA DE LA POSIBILIDAD DE DICHOS DAÑOS. Algunos estados no permiten la exclusión o la limitación de daños imprevistos o derivados, por lo que las limitaciones o exclusiones mencionadas tal vez no se apliquen a usted en particular. Esta garantía le otorga derechos específicos, e incluso usted también puede tener otros derechos que varían de un estado a otro.

SAMSUNG no garantiza el funcionamiento ininterrumpido o sin errores del producto. Ningún aval o garantía otorgados por otra persona, compañía o corporación con respecto al presente producto revestirá carácter vinculante para SAMSUNG.

Para obtener el servicio de garantía, comuníquese con SAMSUNG en:
Samsung Electronics America, Inc.
85 Challenger Road
Ridgefield Park, NJ 07660

1-800-SAMSUNG (726-7864)

www.samsung.com/us/support

garantía (Canadá)

HORNO DE MICROONDAS SAMSUNG PARA INSTALAR SOBRE LA ESTUFA

Garantía limitada al comprador original

El presente producto de la marca SAMSUNG, tal como lo provee y distribuye Samsung Electronics Canada, Inc. (SAMSUNG) y lo entrega como nuevo, en su embalaje de cartón original al comprador o consumidor original, está garantizado por SAMSUNG contra defectos de fabricación de los materiales y la mano de obra durante el período limitado de la garantía de:

UN (1) AÑO PARA LAS PIEZAS Y LA MANO DE OBRA, CINCO (5) AÑOS PARA LAS PIEZAS DE LA GARANTÍA DEL MAGNETRÓN

Samsung le aplicará un cargo por reemplazar un accesorio o por reparar un defecto cosmético si el daño de la unidad o el daño/pérdida del accesorio es causado por el cliente. En esta cláusula se incluyen:

- Puerta, manija, panel exterior o panel de control abollados, rayados o rotos
- Bandeja, anillo giratorio, manguito de acoplamiento, filtro o rejilla de alambre rotos o perdidos

Las piezas sustituibles por el usuario se pueden enviar al cliente para la reparación de la unidad. Si es necesario, se puede enviar a un técnico para que efectúe el servicio.

La presente garantía limitada comienza en la fecha original de compra y es válida únicamente para productos comprados y usados en Canadá. Para recibir el servicio técnico de la garantía, el comprador debe comunicarse con SAMSUNG con el fin de que se determine el problema y los procedimientos del servicio. El servicio técnico de la garantía solo puede ser prestado por un centro de servicio técnico autorizado de SAMSUNG. Se debe presentar la factura de compra original como prueba de compra a SAMSUNG o al centro de servicio técnico autorizado de SAMSUNG.

SAMSUNG reparará o reemplazará el producto a nuestra discreción y sin cargo, tal como se establece en la presente garantía, con piezas o productos nuevos o reacondicionados, si se verifica que es defectuoso durante el período limitado de la garantía especificado anteriormente. Todas las piezas y los productos reemplazados pasan a ser propiedad de SAMSUNG y deben ser devueltos a SAMSUNG. Las piezas y los productos reemplazados asumen la garantía original que resta o noventa (90) días, el período que sea el más prolongado.

Se brindará servicio a domicilio durante el período de garantía de mano de obra sujeto a la disponibilidad dentro del territorio contiguo de Canadá. El servicio a domicilio no está disponible en todas las zonas. Para recibir servicio a domicilio, el producto debe estar accesible y sin obstrucciones para el personal de servicio técnico. Si durante el servicio a domicilio no puede completarse la reparación, puede ser necesario retirar, reparar y devolver el producto. En caso de que el servicio a domicilio no esté disponible, SAMSUNG podrá elegir, a nuestra discreción, proveer el transporte que escojamos hacia un centro de servicio SAMSUNG autorizado y desde este. De lo contrario, el transporte hacia y desde el centro de servicio técnico autorizado de Samsung es responsabilidad del comprador.

La presente garantía limitada cubre defectos de fabricación de los materiales y la mano de obra encontrados durante el uso normal y doméstico de este producto y no será válida para lo siguiente, incluidos, entre otros: daños que ocurran durante el envío; entrega e instalación; aplicaciones y usos para los cuales el presente producto no fue destinado; números de serie o de producto alterados; daño estético o acabado exterior; accidentes, abuso, descuido, incendio, inundación, caída de rayos, u otros casos fortuitos o de fuerza mayor; uso de productos, equipos, sistemas, utilidades, servicios, piezas, suministros, accesorios, aplicaciones, instalaciones, reparaciones, cableado externo o conectores no provistos ni autorizados por SAMSUNG que dañen este producto o que acarreen problemas en el servicio; tensión

de la línea eléctrica incorrecta, fluctuaciones y sobretensión; ajustes del cliente e incumplimiento de lo establecido en el manual de instrucciones, las instrucciones de limpieza, mantenimiento y ambientales cubiertas y recomendadas en el manual de instrucciones; problemas causados por plagas; recalentamiento o exceso de cocción causado por el usuario; charola de vidrio o plato giratorio; menor potencia del magnetrón relacionada con el envejecimiento normal. SAMSUNG no garantiza el funcionamiento ininterrumpido o sin errores del producto.

NO EXISTEN GARANTÍAS EXPRESAS, SALVO AQUELLAS ENUMERADAS Y DESCRITAS ANTERIORMENTE, Y NINGUNA GARANTÍA YA SEA EXPRESA O TÁCITA, INCLUIDA, AUNQUE NO EN CARÁCTER TAXATIVO, TODA GARANTÍA TÁCITA DE COMERCIABILIDAD O APTITUD PARA UN PROPÓSITO ESPECIAL, SE APLICARÁ DESPUÉS DE LOS PERÍODOS DE GARANTÍA ESTABLECIDOS MÁS ARRIBA, Y NINGUNA OTRA GARANTÍA EXPRESA O GARANTÍA OTORGADA POR PERSONA, COMPAÑÍA O CORPORACIÓN ALGUNA CON RESPECTO AL PRESENTE PRODUCTO REVESTIRÁ CARÁCTER VINCULANTE PARA SAMSUNG. SAMSUNG NO SERÁ RESPONSABLE POR PÉRDIDA DE INGRESOS O LUCRO CESANTE, IMPOSIBILIDAD DE GENERAR AHORROS U OBTENER OTROS BENEFICIOS, CUALQUIER DAÑO DERIVADO DE CIRCUNSTANCIAS ESPECIALES, DAÑO IMPREVISTO O DERIVADO CAUSADO POR EL USO, USO INCORRECTO O INCAPACIDAD PARA USAR EL PRESENTE PRODUCTO, INDEPENDIEMENTE DE LA TEORÍA LEGAL EN QUE SE FUNDE EL RECLAMO Y AUN CUANDO SE LE HAYA NOTIFICADO A SAMSUNG DE LA POSIBILIDAD DE TALES DAÑOS. NINGÚN RESARCIMIENTO DE NINGUNA ÍNDOLE CONTRA SAMSUNG SUPERARÁ EL MONTO DEL PRECIO DE COMPRA DEL PRODUCTO VENDIDO POR SAMSUNG Y CAUSANTE DEL PRESUNTO DAÑO. SIN QUE SE LIMITE A LO PRECEDENTE, EL COMPRADOR ASUME TODO EL RIESGO Y LA RESPONSABILIDAD POR PÉRDIDA, DAÑO O LESIÓN AL COMPRADOR Y A LOS BIENES DEL COMPRADOR Y A TERCEROS Y A SUS BIENES DERIVADOS DEL USO, USO INCORRECTO O INCAPACIDAD PARA USAR EL PRESENTE PRODUCTO VENDIDO POR SAMSUNG, QUE NO HAYA SIDO OCASIONADO DIRECTAMENTE POR NEGLIGENCIA DE SAMSUNG. LA PRESENTE GARANTÍA LIMITADA NO SE EXTENDERÁ A NINGUNA PERSONA DISTINTA DEL COMPRADOR ORIGINAL DEL PRESENTE PRODUCTO, ES INTRANSFERIBLE Y ESTABLECE SU EXCLUSIVA REPARACIÓN.

Algunos territorios o provincias pueden permitir, o no, las limitaciones en cuanto al plazo de una garantía implícita o la exclusión o limitación de daños imprevistos o derivados, por lo tanto las limitaciones o exclusiones antedichas pueden no aplicarse en su caso. Esta garantía le otorga derechos legales específicos, y además puede tener otros derechos que varían según el estado en el que se encuentre.

Para recibir un servicio técnico de garantía, comuníquese con SAMSUNG al:

1-800-SAMSUNG (726-7864) o
www.samsung.com/ca/support (English)
www.samsung.com/ca_fr/support (French)



Scan this with your smartphone

Escanee el código QR* o visite www.samsung.com/spsn para ver nuestros útiles videos instructivos y programas en vivo
*Requiere un lector instalado en su teléfono inteligente

Tenga en cuenta que la garantía de Samsung NO cubre las llamadas de servicio para explicar el funcionamiento del producto, corregir una instalación inadecuada o realizar tareas de limpieza o mantenimiento.

¿TIENE PREGUNTAS O COMENTARIOS?

PAÍS	LLAME AL	O VISÍTENOS EN LÍNEA EN
U.S.A Consumer Electronics	1-800-SAMSUNG (726-7864)	www.samsung.com/us/support
CANADA	1-800-SAMSUNG (726-7864)	www.samsung.com/ca/support (English) www.samsung.com/ca_fr/support (French)



ME17R70*1E*

Four à micro-ondes

Manuel d'utilisation

Un monde de possibilités

Nous vous remercions d'avoir choisi ce produit Samsung.

SAMSUNG

consignes de sécurité

Félicitations pour l'acquisition de votre nouveau four à micro-ondes Samsung. Ce manuel contient des informations importantes concernant l'installation, l'utilisation et l'entretien de votre appareil. Veuillez le lire attentivement afin de profiter pleinement des nombreux avantages et fonctions qu'offre votre four à micro-ondes.

CE QUE VOUS DEVEZ SAVOIR SUR LES CONSIGNES DE SÉCURITÉ

Les avertissements et les consignes de sécurité importantes contenus dans ce manuel ne sont pas exhaustifs. Il est de votre responsabilité de faire appel à votre bon sens et de faire preuve de prudence et de minutie lors de l'installation, de l'entretien et de l'utilisation du four à micro-ondes.

CONSIGNES PERMETTANT D'ÉVITER UNE EXPOSITION EXCESSIVE AUX MICRO-ONDES

- A. N'essayez pas d'utiliser ce four alors que la porte est ouverte ; vous risqueriez d'être exposé à une quantité trop importante de micro-ondes. Ne tentez jamais de neutraliser ou de modifier les verrouillages de sécurité.
- B. Ne placez aucun objet entre la façade du four et la porte et ne laissez aucun résidu alimentaire ou de produit d'entretien s'accumuler sur la surface d'étanchéité.
- C. N'utilisez pas le four s'il est endommagé. Il est impératif que la porte du four ferme correctement et que^o:
 1. La porte ne soit pas déformée ou endommagée
 2. Les charnières et loquets ne soient pas cassés ou desserrés
 3. Les joints de la porte et la surface assurant l'étanchéité sont nettoyés et fonctionnels.
- D. Toutes les opérations d'ajustement ou de réparation doivent être exclusivement effectuées par un technicien qualifié ; ne tentez jamais d'ajuster ou de réparer le four vous-même.

SYMBOLES DE SÉCURITÉ IMPORTANTS ET PRÉCAUTIONS

Signification des icônes et des symboles utilisés dans ce manuel :

 AVERTISSEMENT	Risques ou manipulations dangereuses susceptibles d'entraîner des blessures graves, voire mortelles.
 ATTENTION	Risques ou manipulations dangereuses susceptibles d'entraîner des blessures légères ou des dégâts matériels.
 ATTENTION	Afin de réduire les risques d'incendie, d'explosion, d'électrocution ou de blessures lors de l'utilisation du four à micro-ondes, vous devez respecter ces règles de sécurité de base.

	NE PAS tenter.
	NE PAS démonter.
	NE PAS toucher.
	Suivez scrupuleusement les consignes.
	Débranchez la fiche d'alimentation de la prise murale.
	Assurez-vous que l'appareil est relié à la terre afin d'éviter tout risque d'électrocution.
	Contactez le service d'assistance technique.
	Remarque

Les symboles d'avertissement sont là pour minimiser les risques de blessure ; veuillez à bien les respecter. Après lecture de cette rubrique, conservez le manuel dans un endroit sûr afin de pouvoir le consulter ultérieurement.

CONSERVEZ PRÉCIEUSEMENT CES CONSIGNES

CONSIGNES DE SÉCURITÉ IMPORTANTES

Lorsque vous utilisez des appareils électriques, respectez les consignes de sécurité de base suivantes :



AVERTISSEMENT

Consignes visant à réduire les risques de brûlure, d'électrocution, d'incendie, de blessure ou d'exposition excessive aux micro-ondes :

1. Lisez attentivement toutes les consignes de sécurité avant d'utiliser l'appareil.
2. Lisez et respectez les « Consignes permettant d'éviter une exposition excessive aux micro-ondes » détaillées sur cette page.
3. Cet appareil doit être relié à la terre. N'effectuez le branchement que sur des prises correctement mises à la terre. Reportez-vous à la section « Consignes de mise à la terre » en page 4 du présent manuel.
4. Installez l'appareil conformément aux instructions fournies.
5. Certains produits tels que les œufs entiers (avec leur coquille) et les récipients clos (ex. : récipients en verre fermés) sont susceptibles d'exploser s'ils sont chauffés rapidement. Ne les faites jamais chauffer au four à micro-ondes.
6. Utilisez ce four uniquement pour l'usage auquel il est destiné (tel que décrit dans ce manuel). N'utilisez pas de produits chimiques ou de vapeurs à caractère corrosif dans ce four. Ce type de four est spécialement conçu pour faire réchauffer, cuire ou déshydrater des aliments. Il n'est pas conçu pour être utilisé dans un laboratoire ou à des fins industrielles.
7. Comme pour tout appareil, une vigilance extrême s'impose lorsque le four est utilisé par des enfants.
8. N'utilisez pas ce four si un câble d'alimentation ou une fiche est endommagé(e), s'il ne fonctionne pas correctement ou s'il a été endommagé ou a subi une chute.
9. La réparation ou l'entretien de cet appareil doit impérativement être assuré(e) par une main d'œuvre qualifiée. Contactez le service d'assistance technique le plus proche de chez vous si vous souhaitez effectuer un contrôle, une réparation ou un réglage.
10. N'obstruez jamais les ouvertures du four.
11. N'essayez pas de modifier, d'ajuster ou de réparer la porte.
12. N'entreposez jamais le four à l'extérieur. N'utilisez pas cet appareil à proximité d'eau (ex. : près d'un évier, dans une cave humide, à côté d'une piscine ou dans des endroits similaires).
13. N'immergez jamais la fiche ou le câble d'alimentation dans l'eau.
14. Tenez le cordon éloigné des surfaces chaudes. (y compris de l'arrière du four).
15. Ne laissez pas le cordon pendre par-dessus le bord d'une table ou d'un comptoir.
16. Lorsque vous nettoyez les zones de la porte et du four qui entrent en contact une fois la porte fermée, utilisez uniquement une éponge ou un chiffon doux imbibé(e) d'un produit ménager doux et non corrosif. Débranchez l'appareil avant de procéder au nettoyage.

17. Pour éviter tout risque d'incendie à l'intérieur du four :
 - a. Évitez de surcuire vos aliments. Surveillez attentivement la cuisson lorsque vous placez du papier, du plastique ou d'autres matériaux combustibles à l'intérieur du four pour faciliter la cuisson.
 - b. Retirez les ligatures métalliques des sacs en papier ou en plastique avant de les placer dans le four.
 - c. En cas de départ de feu, laissez la porte du four fermée, éteignez l'appareil et débranchez le cordon d'alimentation ou coupez l'alimentation au niveau du tableau de fusibles ou du disjoncteur. Si vous ouvrez la porte du four, l'incendie risque de se propager.
 - d. N'entreposez pas d'objets à l'intérieur du four. Ne laissez pas de papiers, d'ustensiles de cuisine ou d'aliments à l'intérieur du four lorsque celui-ci est inutilisé.
18. Tout liquide (ex. : eau, lait, café ou thé) est susceptible de dépasser le point d'ébullition sans que le phénomène soit pour autant visible. Un bouillonnement n'est par conséquent pas toujours visible lorsque vous retirez le récipient du four. EN CAS DE MOUVEMENT BRUSQUE OU DE CONTACT AVEC UNE CUILLÈRE OU UN AUTRE USTENSILE, DE L'EAU BOUILLANTE RISQUE DE SOUDAIN DÉBORDER DU RÉCIPIENT. Consignes pour réduire les risques de blessure :
 - a. Ne faites pas surchauffer les liquides.
 - b. Remuez le liquide avant et à la moitié du temps de chauffe.
 - c. N'utilisez pas de récipients aux côtés plats et à col étroit.
 - d. Une fois le temps de chauffe écoulé, laissez le récipient dans le micro-ondes pendant quelques instants avant de le sortir.
 - e. Soyez extrêmement prudent lorsque vous introduisez une cuillère ou un autre ustensile dans le récipient.



ATTENTION

1. Nettoyez régulièrement la hotte : ne laissez pas la graisse s'accumuler sur la hotte ou le filtre.
2. Si les aliments situés sur la cuisinière s'enflamment, activez la ventilation.
3. Nettoyez le filtre de la hotte avec précaution. Les détergents caustiques, comme les nettoyeurs pour four à base de lessive, risquent d'endommager le filtre.

INSTRUCTIONS DE MISE À LA TERRE

Cet appareil doit être relié à la terre. La mise à la terre réduit le risque de choc électrique, car elle fournit au courant un chemin de fuite en cas de court-circuit. Ce four est équipé d'un cordon d'alimentation disposant d'une fiche de mise à la terre. La fiche doit être branchée sur une prise secteur posée et mise à la terre conformément à la législation en vigueur.

CONSERVEZ PRÉCIEUSEMENT CES CONSIGNES



AVERTISSEMENT

Toute utilisation non conforme de la fiche de mise à la terre peut entraîner un risque d'électrocution.

- Branchez l'appareil sur une prise murale tripolaire reliée à la terre. Ne coupez ni ne retirez la troisième broche (mise à la terre). N'utilisez pas d'adaptateur ou, dans le cas contraire, neutralisez la fonction de sécurité de la fiche de mise à la terre.
- Contactez un électricien ou un réparateur qualifié si les consignes de mise à la terre ne vous semblent pas claires ou si vous n'êtes pas certain que votre appareil soit correctement relié à la masse.
- Il est déconseillé d'utiliser une rallonge avec cet appareil. Si le cordon d'alimentation est trop court, faites installer une prise à proximité de votre appareil par un électricien ou un réparateur qualifié. Toutefois, s'il s'avère indispensable d'utiliser une rallonge, lisez et respectez les conseils indiqués dans la rubrique « Utilisation de rallonges » ci-dessous.

Utilisation de rallonges

Le four est fourni avec un cordon d'alimentation court afin de limiter les risques d'enlèvement. Des cordons plus longs ou des rallonges sont disponibles et peuvent être utilisés si vous faites preuve de prudence. En cas d'utilisation d'un cordon plus long ou d'une rallonge :

1. Les caractéristiques électriques du cordon ou de la rallonge doivent être au moins égales à celles de l'appareil.
2. La rallonge doit être un cordon à 3 fils fiable à la terre et branchée sur une prise femelle tripolaire.
3. En cas d'utilisation d'un cordon plus long, celui-ci ne doit pas passer par-dessus le comptoir ou la table afin d'éviter qu'un enfant ne tire dessus ou que quelqu'un ne s'y entrave. Si vous utilisez une rallonge, l'intensité de l'éclairage intérieur peut vaciller et la ventilation subir des variations lorsque le four à micro-ondes fonctionne. Les temps de cuisson peuvent également être plus longs.



AVERTISSEMENTS IMPORTANTS RELATIFS À L'INSTALLATION

 Cet appareil doit être installé par un technicien qualifié ou une société de dépannage.

- Le non-respect de cette consigne peut provoquer une électrocution, un incendie, une explosion, un dysfonctionnement de l'appareil ou des blessures.

Déballer l'appareil : retirez tous les éléments d'emballage et vérifiez que le four n'est pas endommagé (traces de choc à l'intérieur ou à l'extérieur, loquets cassés, fissures au niveau de la porte ou porte mal alignée). En cas de dommages, n'utilisez pas le four et contactez immédiatement votre revendeur.

Veillez à ce que le four soit installé dans un emplacement suffisamment grand.

 Retirez régulièrement toute substance étrangère (poussière ou eau) présente sur les bornes et les points de contact de la fiche d'alimentation à l'aide d'un chiffon sec.

- Débranchez la fiche et nettoyez-la à l'aide d'un chiffon sec.
- Le non-respect de cette consigne peut entraîner un risque d'électrocution ou d'incendie.

Branchez le cordon d'alimentation sur une prise tripolaire correctement reliée à la terre. Ne branchez aucun autre appareil électrique sur ce circuit.

- Partager la même prise murale avec d'autres appareils à l'aide d'une multiprise ou d'une rallonge risque de provoquer une électrocution ou un incendie.
- N'utilisez pas de transformateur électrique. Cela pourrait entraîner un risque d'électrocution ou d'incendie.
- Veillez à ce que la tension, la fréquence et l'intensité du courant soient conformes aux caractéristiques de l'appareil. Le non-respect de cette consigne peut entraîner un risque d'électrocution ou d'incendie.

Gardez tous les éléments d'emballage hors de la portée des enfants. Ceux-ci risqueraient de les utiliser pour jouer.



Cet appareil doit être correctement relié à la terre. Lisez et respectez les « Consignes de mise à la terre » détaillées au début de ce chapitre. Ne reliez jamais cet appareil à une conduite de gaz, à un tuyau d'eau en plastique ou à une ligne téléphonique.

- Cela pourrait entraîner un risque d'électrocution, d'incendie, d'explosion ou de défaillance de l'appareil.
- Ne branchez jamais le cordon d'alimentation sur une prise qui n'est pas correctement reliée à la terre et assurez-vous que la mise à la terre est conforme aux normes locales et nationales.

Ne coupez ni ne retirez JAMAIS la troisième broche (mise à la terre) de la fiche du cordon d'alimentation.

Le micro-ondes requiert une prise simple séparée reliée à la terre à circuit de dérivation fournissant au moins 15 A et maximum 20 A.



N'installez pas cet appareil dans un endroit humide, gras ou poussiéreux et veillez à ce qu'il ne soit pas exposé directement à la lumière du soleil ou à une source d'eau (eau de pluie).

- Cela pourrait entraîner un risque d'électrocution ou d'incendie.

Branchez correctement la fiche dans la prise murale. N'utilisez jamais une fiche ou un cordon d'alimentation endommagé(e) ou une prise murale mal fixée.

- Cela pourrait entraîner un risque d'électrocution ou d'incendie.

N'installez pas l'appareil au-dessus d'un évier.

Ne tirez jamais sur le cordon d'alimentation et ne le pliez pas de façon excessive.

Ne vrillez et ne serrez pas le cordon d'alimentation.

Concernant le cordon d'alimentation : ne l'accrochez pas sur un objet métallique ; ne posez pas d'objet lourd dessus ; ne le faites passer entre des objets et ne le poussez pas dans l'espace à l'arrière de l'appareil.

- Cela pourrait entraîner un risque d'électrocution ou d'incendie.

Pour débrancher la fiche, ne tirez pas sur le cordon.

- Débranchez le four en tirant sur la fiche uniquement.
- Le non-respect de cette consigne peut entraîner un risque d'électrocution ou d'incendie.



Si la prise ou le cordon d'alimentation est endommagé(e), prenez contact avec votre centre de dépannage Samsung le plus proche pour demander un remplacement ou une réparation.

CONSERVEZ PRÉCIEUSEMENT CES CONSIGNES



ATTENTION MISES EN GARDE RELATIVES À L'INSTALLATION

- ★ Installez le four de telle façon que la fiche reste facilement accessible.
 - Le non-respect de cette consigne peut entraîner un risque d'électrocution ou d'incendie suite à une fuite électrique.

- ☞ Débranchez la prise d'alimentation si l'appareil doit rester inutilisé pendant une période prolongée ou en cas d'orage.
 - Le non-respect de cette consigne peut entraîner un risque d'électrocution ou d'incendie.



AVERTISSEMENT IMPORTANTS RELATIFS À L'UTILISATION

- ★ En cas d'inondation, veuillez communiquer avec le centre de dépannage Samsung le plus proche si votre appareil a été en contact avec l'eau. Le non-respect de cette consigne peut entraîner un risque d'électrocution ou d'incendie.

Lisez et respectez les « Consignes permettant d'éviter une exposition excessive aux micro-ondes » détaillées au début de ce chapitre.

Si l'appareil génère un bruit anormal, une odeur de brûlé ou de la fumée, débranchez-le immédiatement et contactez le service de dépannage le plus proche.

- Le non-respect de cette consigne peut entraîner un risque d'électrocution ou d'incendie.

En cas de fuite de gaz (propane, GPL, etc.), aérez immédiatement la pièce sans toucher à l'appareil, au cordon d'alimentation ou à la fiche.

- N'utilisez pas de ventilateur.
- La moindre étincelle risquerait de provoquer une explosion ou un incendie.

Veillez à ne toucher aucune des parties du four (ex. : porte) lorsque celui-ci est en marche ou vient juste de fonctionner.

- Le non-respect de cette consigne risque d'entraîner des brûlures.

En cas de départ de feu sur la cuisinière située sous le four, étouffez les flammes à l'aide d'un couvercle, d'une plaque de cuisson métallique ou d'un plateau.

Lors d'une utilisation à puissance élevée, ne laissez jamais les éléments situés sous l'appareil sans surveillance. En cas de débordement, les particules grasses provenant des aliments risquent de s'enflammer si la hotte fonctionne. Afin que la hotte ne se déclenche pas automatiquement chaque fois que vous vous servez de votre four, utilisez des plats de taille appropriée et ne faites fonctionner votre table de cuisson à puissance maximale que lorsque cela est vraiment nécessaire.

En cas de départ de feu à l'intérieur du four, laissez sa porte fermée, éteignez l'appareil et débranchez le cordon d'alimentation ou coupez l'alimentation au niveau du tableau de fusibles ou du disjoncteur. Si vous ouvrez la porte du four, l'incendie risque de se propager.

- Respectez systématiquement les consignes de sécurité lorsque vous utilisez votre four. Ne tentez jamais de réparer le four vous-même. La tension circulant à l'intérieur est très élevée. Si le four nécessite des réparations, contactez un centre de maintenance Samsung agréé proche de chez vous.



Ne tentez pas de réparer, démonter ou modifier vous-même l'appareil.

- Le châssis de l'appareil étant traversé par un courant à haute tension, il existe un risque d'électrocution ou d'incendie.
- Vous risqueriez d'être exposé à des ondes électromagnétiques.
- Si le four nécessite des réparations, contactez le centre de dépannage Samsung le plus proche de chez vous.



Si une substance étrangère telle que de l'eau pénètre dans l'appareil, débranchez-le et contactez votre centre de dépannage le plus proche.

- Le non-respect de cette consigne peut entraîner un risque d'électrocution ou d'incendie.



Ne touchez pas la fiche d'alimentation si vous avez les mains mouillées.

- Cela pourrait entraîner un risque d'électrocution.

N'éteignez pas l'appareil alors qu'il est en fonctionnement en débranchant le cordon d'alimentation.

- Le fait de rebrancher le cordon d'alimentation dans la prise murale peut provoquer une étincelle entraînant une électrocution ou un incendie.

Tenez tous les éléments d'emballage hors de portée des enfants afin d'éviter tout accident.

- Si un enfant met un sac sur sa tête, il risque de s'asphyxier.

Ne laissez pas les enfants ou toute personne à capacités physiques, sensorielles ou mentales réduites utiliser cet appareil sans surveillance.

Veillez à ce que l'appareil se trouve hors de portée des enfants.

- Le non-respect de cette consigne peut entraîner un risque d'électrocution, de brûlures ou de blessures.
- Veillez à ce que les enfants soient éloignés de la porte lors de son ouverture ou de sa fermeture car ils pourraient se cogner contre la porte ou se prendre les doigts dedans.

Ne touchez pas l'intérieur du four juste après son fonctionnement ; les éléments sont encore brûlants.

- La chaleur à l'intérieur du four risque de provoquer des brûlures.

N'utilisez pas de papier aluminium (sauf si indiqué précisément dans ce manuel), d'objets métalliques (récipients, fourchettes, etc.) ou de récipients comportant des ornements dorés ou argentés.

- Ces objets risquent de provoquer des étincelles ou de s'enflammer.

N'utilisez et n'entrez pas d'aérosols ou d'objets inflammables à proximité du four.

- La chaleur dégagée par le four à micro-ondes risque de faire exploser ou s'enflammer les gaz.
- Le non-respect de cette consigne peut entraîner un risque d'électrocution ou des blessures.

N'essayez pas de modifier, d'ajuster ou de réparer la porte. Le châssis extérieur ne doit être retiré sous aucun prétexte.

N'entrez pas et n'utilisez jamais le four en extérieur.

CONSERVEZ PRÉCIEUSEMENT CES CONSIGNES



MISES EN GARDE RELATIVES À L'UTILISATION



Si des fissures apparaissent à la surface du four à micro-ondes, éteignez ce dernier.

- Le non-respect de cette consigne risque d'entraîner une électrocution.

Les plats et récipients peuvent devenir extrêmement chauds. Manipulez-les avec précaution.

Les plats chauds et la vapeur peuvent provoquer des brûlures. Retirez le couvercle des récipients avec précaution en veillant à éloigner ces derniers de votre visage et de vos mains afin d'éviter que le dégagement de vapeur ne vous brûle.

Retirez les couvercles des petits pots pour bébé avant de les faire chauffer. Lorsque vous réchauffez des aliments pour bébé, remuez-les bien pour répartir la chaleur uniformément. Testez toujours la température des aliments avant de les donner à un bébé. Le récipient en verre ou la surface des aliments peuvent paraître plus froids que n'est l'intérieur des aliments qui peut lui, être chaud au point de brûler la bouche du bébé.

Veillez à ce que tous les ustensiles utilisés dans le four soient adaptés à la cuisson aux micro-ondes.

Utilisez des ustensiles adaptés à la cuisson aux micro-ondes en respectant rigoureusement les recommandations des fabricants.



Ne montez pas sur l'appareil et ne posez pas d'objets dessus (ex. : linge, couvercle de four, bougies allumées, cigarettes allumées, plats, produits chimiques, objets métalliques, etc.).

- Des articles peuvent rester coincés dans la porte.
- Cela pourrait entraîner un risque d'électrocution, d'incendie, de défaillance de l'appareil ou des blessures.

N'utilisez pas l'appareil avec les mains mouillées.

- Cela pourrait entraîner un risque d'électrocution.

Ne vaporisez pas de substances volatiles (ex. : insecticide) sur la surface de l'appareil.

- Ces substances sont non seulement nocives pour la santé, mais elles peuvent également entraîner une électrocution, un incendie ou une défaillance de l'appareil.

Ne placez pas l'appareil sur un support fragile, comme un évier ou un objet en verre.

- L'évier ou l'objet en verre pourrait être endommagé.

N'approchez pas votre visage ou votre corps de l'appareil pendant la cuisson ou lors de l'ouverture de la porte juste après la cuisson.

- Veillez à ce que les enfants ne s'approchent pas trop près de l'appareil.
- Le non-respect de cette consigne risque d'entraîner des brûlures pour les enfants.

Ne placez pas de nourriture ou d'objets lourds sur la porte.

- Lorsque vous ouvrez la porte, vous risqueriez de vous brûler ou de vous blesser si les objets chutaient.

Ne créez pas de choc thermique brutal au niveau de la porte, de l'intérieur de l'appareil ou du plat (ex. : en versant de l'eau dessus pendant ou juste après la cuisson).

- Cela risque d'endommager l'appareil. La vapeur ou les projections d'eau pourraient entraîner des brûlures ou des blessures.

Ne tentez jamais de faire préchauffer ou fonctionner le micro-ondes à vide.

Veillez toujours à ce que le plateau en verre se trouve à l'intérieur du four avant de mettre en marche ce dernier. Dans le cas contraire, les aliments ne seraient pas cuits correctement.



Ne faites jamais décongeler de boissons surgelées contenues dans des bouteilles à col étroit. Celles-ci risqueraient d'éclater. Ne rayez pas la surface vitrée de la porte du four à l'aide d'un objet tranchant.

- Cela pourrait endommager, voire briser la vitre.

Ne posez rien sur l'appareil lorsque celui-ci fonctionne.

N'utilisez pas de récipients fermés hermétiquement. Retirez les obturateurs et les couvercles avant l'utilisation. Les récipients fermés hermétiquement peuvent exploser en raison de l'accumulation de pression, même après l'arrêt du four.



CONSIGNES DE NETTOYAGE IMPORTANTES

Ne nettoyez pas l'appareil en pulvérisant directement de l'eau dessus.

N'utilisez pas de benzène, de diluant ou d'alcool pour nettoyer l'appareil.

- Cela pourrait entraîner une décoloration, une déformation, des dommages sur l'appareil ainsi qu'un risque d'électrocution ou d'incendie.

Avant de nettoyer l'appareil ou d'effectuer un entretien, débranchez-le cordon d'alimentation de la prise murale et éliminez tout reste alimentaire de la porte et du compartiment de cuisson.

- Le non-respect de cette consigne peut entraîner un risque d'électrocution ou d'incendie.

Prenez garde à ne pas vous blesser en nettoyant l'appareil (extérieur/intérieur)

- Les arêtes de celui-ci peuvent se révéler très tranchantes.

Ne nettoyez pas l'appareil à l'aide d'un nettoyeur vapeur.

- Cela pourrait entraîner un phénomène de corrosion.

Veillez à maintenir l'intérieur du four toujours propre. Les particules d'aliments ou les projections d'huile adhérant aux parois risquent d'abîmer le four ou d'en réduire son efficacité.



CALIFORNIA PROPOSITION 65 AVERTISSEMENT

AVERTISSEMENT: Cancer et Troubles de l'appareil reproducteur – www.P65Warnings.ca.gov

CONSERVEZ PRÉCIEUSEMENT CES CONSIGNES

Français - 6

RÉGLAGE DE VOTRE FOUR MICRO-ONDES

- 8 8 Contrôle du contenu
- 8 8 Informations concernant la garantie et l'assistance
- 8 8 Préparation de votre four micro-ondes
- 9 9 Fonctions
- 9 9 Boutons du tableau de commande
- 10 10 Réglage de l'horloge
- 10 10 Sécurité enfants

UTILISATION DU FOUR MICRO-ONDES

- 10 10 Bouton Minuterie
- 10 10 Bouton Ajouter 30 s
- 10 10 Boutons Ventilation (🌀)
- 10 10 Bouton Éclairage élevé/faible/désactivé
- 10 10 Boutons Préréglages de cuisson
- 11 11 Bouton Réchauffage
- 12 12 Bouton Décongélation automatique
- 13 13 Bouton Faire ramollir/Fondre
- 14 14 Temps de cuisson au four micro-ondes et niveaux de puissance
- 14 14 Mode Éco

GUIDE DES RÉCIPIENTS

- 15 15 Ustensiles adaptés à la cuisson au four micro-ondes

GUIDE DE CUISSON

- 16 16 Conseils généraux d'utilisation du micro-ondes
- 16 16 Cuisson de la viande
- 17 17 Cuisson de la volaille
- 17 17 Cuisson des fruits de mer
- 17 17 Cuisson des œufs
- 17 17 Cuisson des légumes
- 18 18 Recettes

NETTOYAGE ET ENTRETIEN DE VOTRE FOUR MICRO-ONDES

- 19 19 Nettoyage de la partie extérieure
- 19 19 Nettoyage de la partie intérieure
- 19 19 Nettoyage du plateau tournant et de l'anneau de guidage
- 19 19 Rangement et entretien du four à micro-ondes
- 19 19 Remplacement de l'ampoule de la surface de cuisson/veilleuse
- 19 19 Remplacement de l'ampoule du four
- 20 20 Nettoyage du filtre à graisse
- 20 20 Remplacement du filtre à charbon

DÉPANNAGE

21

ANNEXE

21

GARANTIE (ÉTATS-UNIS)

22

GARANTIE (CANADA)

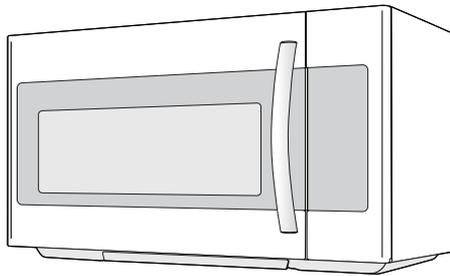
23

réglage de votre four micro-ondes

Respectez scrupuleusement les instructions suivantes afin d'assurer le fonctionnement correct de votre nouveau four micro-ondes.

CONTRÔLE DU CONTENU

Sortez le four micro-ondes de son emballage avec précaution et vérifiez que vous disposez bien de toutes les pièces mentionnées ci-dessous. Si votre four à micro-ondes a été endommagé lors du transport ou si des pièces sont manquantes, communiquez avec le service client Samsung au 1-800-SAMSUNG (726-7864).



Four à micro-ondes (ME17R70*1E*)



* Plateau en verre



* Anneau du plateau tournant



* Adaptateur du système d'évacuation



* Filtres à graisse (x 2)



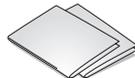
* Filtre à charbon



* Jeu de pièces (vis & fixations)



Manuels (Utilisation et installation)



Gabarits (partie supérieure et paroi)

Si vous souhaitez acheter un accessoire repéré par un astérisque (*), vous pouvez le commander auprès du Centre d'assistance Samsung (1-800-726-7864).

INFORMATIONS CONCERNANT LA GARANTIE ET L'ASSISTANCE

Afin de bénéficier d'un service d'assistance optimal, remplissez la carte d'immatriculation ci-jointe et faites-nous la ensuite parvenir par courrier postal. À défaut de carte, vous pouvez appeler Samsung Electronics, Inc. au **1-800-SAMSUNG (726-7864)** ou **vous inscrire en ligne sur www.samsung.com/register**.

Avant de contacter Samsung, munissez-vous des informations qui vous seront demandées lors de votre appel : les références et le numéro de série du modèle généralement situés à l'arrière ou sur le dessous de l'appareil. Veuillez noter ces numéros ainsi que les autres informations demandées dans les emplacements ci-dessous. Conservez soigneusement ces références (elles pourront vous être utiles à tout moment en cas de perte ou de vol) ainsi qu'une copie de votre facture qui tiendra lieu de preuve d'achat lorsque vous souhaitez bénéficier des services de garantie.

NUMÉRO DE MODÈLE _____

NUMÉRO DE SÉRIE _____

DATE D'ACHAT _____

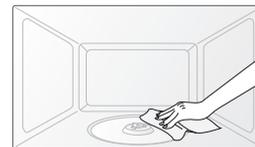
LIEU D'ACHAT _____

Les services de garantie ne peuvent être assurés que par un centre de service Samsung agréé. Si vous souhaitez en bénéficier, fournissez à votre centre de service Samsung agréé les informations ci-dessus ainsi que la copie de votre facture.

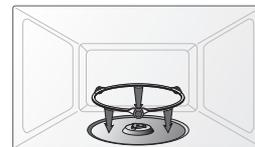
Pour bénéficier du service d'assistance et connaître les coordonnées du centre de dépannage le plus proche de chez vous, appelez le **1-800-SAMSUNG (726-7864)**.

PRÉPARATION DE VOTRE FOUR MICRO-ONDES

1. Ouvrez la porte du four en tirant sur la poignée située sur le côté droit de la porte.
2. Essuyez les parois internes du four à l'aide d'un chiffon humide.



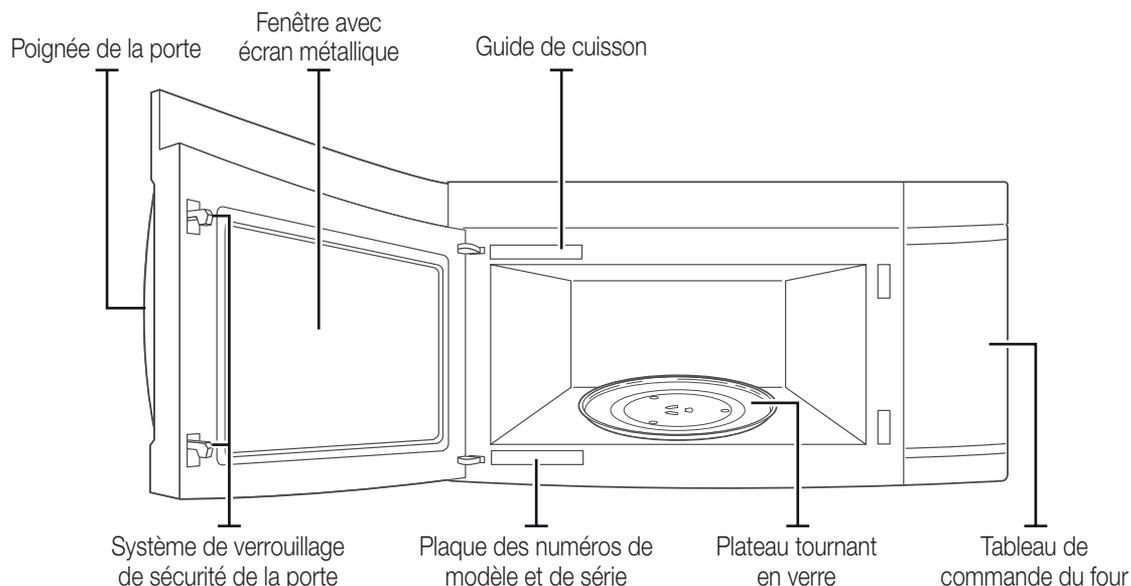
3. Insérez l'anneau de guidage préalablement assemblé dans l'empreinte située au centre du four.



4. Déposez le plateau en verre sur l'anneau, en veillant à le positionner correctement.

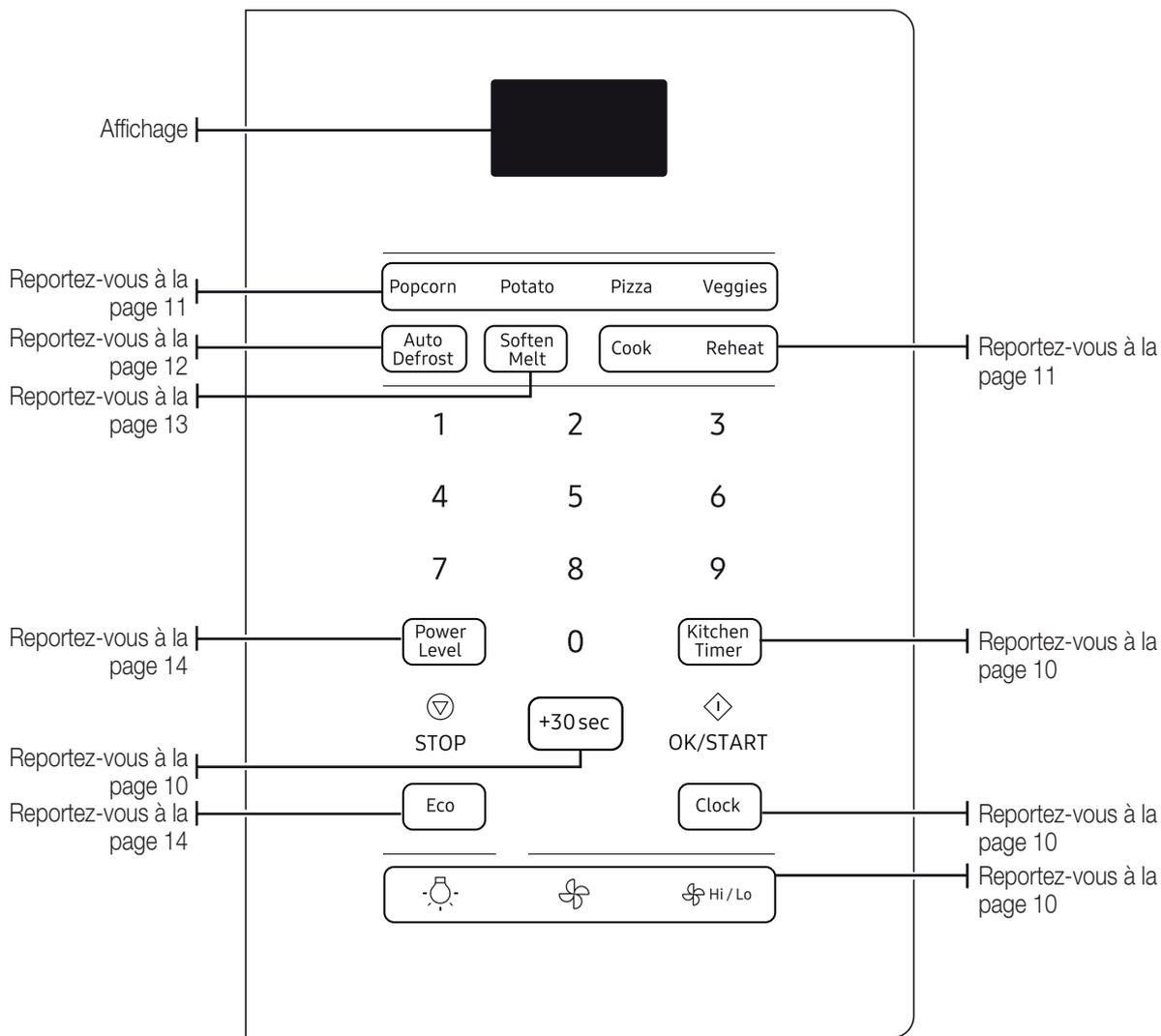


FONCTIONS



01 RÉGLAGE DE VOTRE FOUR MICRO-ONDES

BOUTONS DU TABLEAU DE COMMANDE



Français - 9

RÉGLAGE DE L'HORLOGE

Votre four micro-ondes est équipé d'une horloge intégrée. Réglez l'horloge lors de la première installation de votre four à micro-ondes, après une coupure de courant, ou après avoir débranché puis rebranché le cordon d'alimentation. L'heure s'affiche lorsque le four micro-ondes n'est pas en cours de fonctionnement.

1. Appuyez sur le bouton **Clock (Horloge)**.
2. Utilisez le pavé numérique pour régler l'heure actuelle.
3. Appuyez sur le bouton **OK/START (OK/DÉPART)**.

SÉCURITÉ ENFANTS

La fonction Sécurité enfants vous permet de verrouiller les boutons afin que le four micro-ondes ne puisse pas être mis en marche de manière accidentelle. Le four peut être verrouillé à tout moment.

Activation/Désactivation

Pour activer ou désactiver la sécurité enfants, appuyez sur le bouton **OK/START (OK/DÉPART)** pendant 3 secondes.

utilisation du four micro-ondes

Avec votre nouveau four micro-ondes Samsung, la cuisine n'aura jamais été aussi facile.

La section suivante décrit tout ce que vous devez savoir sur l'utilisation de cet appareil.

BOUTON MINUTERIE

Vous pouvez régler la minuterie sur 99 minutes et 99 secondes au maximum.

1. Appuyez sur le bouton **Kitchen Timer (Minuterie)**.
2. Utilisez le pavé numérique pour définir la durée de fonctionnement de la minuterie.
3. Appuyez sur le bouton **OK/START (OK/DÉPART)**.
4. Le décompte s'affiche et un signal sonore retentit une fois ce temps écoulé.
5. Pour annuler le réglage de la minuterie : Appuyez une fois sur le bouton **STOP (ARRÊT)**.

BOUTON AJOUTER 30 S

Cette commande simplifiée vous permet de gagner du temps et de démarrer rapidement la cuisson à pleine puissance (100 %).

1. Appuyez sur le bouton **Add 30 sec (Ajouter 30 s)** autant de fois que vous souhaitez ajouter 30 secondes au temps de cuisson. Par exemple, appuyez deux fois pour une cuisson d'une minute, puis appuyez sur le bouton **OK/START (OK/DÉPART)** pour démarrage de la cuisson.
2. Vous pouvez ajouter 30 s à un programme en cours en appuyant sur le bouton **Add 30 sec (Ajouter 30 s)** autant de fois que vous souhaitez ajouter de tranches de 30 secondes.

BOUTONS VENTILATION ()

La ventilation permet d'évacuer la vapeur d'eau émise par les aliments. La ventilation peut être réglée manuellement.

1. Appuyez sur le bouton  Hi / Lo pour régler la vitesse de la ventilation.
2. Appuyez sur le bouton  pour activer la ventilation.
3. Appuyez à nouveau sur le bouton  pour désactiver la ventilation.

BOUTON ÉCLAIRAGE ÉLEVÉ/FAIBLE/DÉSACTIVÉ

Le bouton  vous permet de sélectionner un réglage d'éclairage pour votre four micro-ondes.

Nb de pressions	1	2	3
Éclairage	Élevée	Faible	Off

BOUTONS PRÉRÉGLAGES DE CUISSON

Les boutons **Préréglages de cuisson** vous permettent de faire cuire vos plats préférés en une seule pression en utilisant des puissances et des durées prédéfinies. Si les aliments ne sont pas assez cuits ou pas assez chauds après un programme de cuisson, terminez la cuisson en sélectionnant manuellement une puissance et un temps de cuisson.



N'utilisez pas de manière continue les boutons **Préréglages de cuisson**. Le four doit refroidir pendant au moins 5 minutes entre chaque utilisation pour éviter toute surcuisson.

Tableau de cuisson automatique

Bouton Programmes de cuisson	Quantité ou type d'aliment	Nombre de pressions	Consignes
Mais soufflé	3,5 oz 1 sachet	une	Ne faites chauffer qu'un seul sachet de pop-corn spécial micro-ondes à la fois. Soyez prudent lorsque vous ouvrez le sachet après l'avoir retiré du four. Laissez le four refroidir pendant au moins 5 minutes avant toute nouvelle utilisation.
	3,0 à 3,5 oz 1 sachet	deux	 Ne laissez pas le four micro-ondes sans surveillance pendant la cuisson du pop-corn.
Cuire	Boissons Affichage : Ac-1	une	Versez le liquide dans une tasse graduée ou un verre mesureur. Ne couvrez pas. Placez la boisson dans le four. Une fois le temps de chauffe écoulé, remuez bien. Laissez le four refroidir pendant au moins 5 minutes avant toute nouvelle utilisation. Remarque : • Les temps de réchauffage ont été calculés pour une tasse de 8 onces. • Les boissons réchauffées à l'aide de la fonction Boissons peuvent devenir brûlantes. • Retirez le récipient avec précaution. Quantité : 0,5 tasse, 1 tasse, 2 tasses
	Bacon Affichage : Ac-2	deux	Placez 2 feuilles de papier absorbant sur une assiette, puis disposez dessus les tranches de bacon en veillant à ce qu'elles ne se chevauchent pas. Couvrez le tout d'une autre serviette en papier. Retirez immédiatement les feuilles de papier absorbant une fois la cuisson terminée. Quantité : 2 à 6 tranches
	Dîner surgelé Affichage : Ac-3	trois	Retirez l'aliment de son emballage et suivez les instructions figurant sur ce dernier pour connaître la méthode de couverture du plat et le temps de repos. Laissez le four refroidir pendant au moins 5 minutes avant toute nouvelle utilisation. Quantité : 8 à 14 oz
	Petit-déjeuner surgelé Affichage : Ac-4	quatre	Utilisez ce bouton pour les sandwichs surgelés, petits-déjeuners, crêpes, gaufres etc. Suivez les instructions figurant sur l'emballage pour connaître la méthode de couverture et le temps de repos. Laissez le four refroidir pendant au moins 5 minutes avant toute nouvelle utilisation. Quantité : 4 à 8 oz
Légumes	Légumes frais : Fr-1	une	Placez 1 à 4 portions de légumes frais/surgelés dans un plat en céramique, en verre ou en plastique adapté au micro-ondes et ajoutez 2 à 4 cuillères à soupe d'eau. Couvrez d'un couvercle ou d'un film plastique perforé pour la cuisson, puis laissez reposer 3 à 5 minutes après avoir remué. Laissez le four refroidir pendant au moins 5 minutes avant toute nouvelle utilisation.
	Légumes surgelés : Fr-2	deux	
Pomme de terre	1 pomme de terre	une	Piquez chaque pomme de terre plusieurs fois à l'aide d'une fourchette. Disposez-les en étoile sur le plateau. Après la cuisson, laissez les pommes de terre reposer 3 à 5 minutes. Laissez le four refroidir pendant au moins 5 minutes avant toute nouvelle utilisation.  Percez plusieurs fois les pommes de terre à l'aide d'une fourchette avant de les placer dans le four à micro-ondes. Les temps de cuisson sont basés sur des pommes de terre pesant chacune 8 à 10 oz en moyenne.
	2 pommes de terre	deux	
	3 pommes de terre	trois	
	4 pommes de terre	quatre	
Pizza	1 part	une	Disposez 1 à 3 parts de pizza, pointes vers le centre, sur un plat adapté à la cuisson aux micro-ondes. Veillez à ce que les parts ne se chevauchent pas. Ne couvrez pas. Laissez le four refroidir pendant au moins 5 minutes avant toute nouvelle utilisation.
	2 parts	deux	
	3 parts	trois	

BOUTON RÉCHAUFFAGE

Le bouton **Reheat (Réchauffage)** propose trois catégories de réchauffage prédéfinies.

Catégorie	Nombre de pressions	Affichage
Assiette garnie	une	rh-1
Ragoût	deux	rh-2
Pâtes	trois	rh-3

Exemple : réchauffer 3 portions de plats mijotés.

- Appuyez deux fois sur le bouton **Reheat (Réchauffage)**.
- Appuyez sur le bouton **3 du pavé numérique**.
- Appuyez sur le bouton **OK/START (OK/DÉPART)**.
- Lorsque le temps de cuisson est écoulé, le four émet 4 fois un signal sonore et affiche le message *End (Fin)*.

Tableau de réchauffage

Respectez les instructions suivantes lorsque vous faites réchauffer différentes catégories d'aliments.

Catégorie	Quantité	Instructions
Assiette garnie	1 portions (1 assiette)	Utilisez uniquement des aliments précuits et conservés au frais. Couvrez le plat avec un film plastique perforé ou du papier sulfurisé que vous prendrez soin de replier sous le plat. Si les aliments ne sont pas suffisamment chauds après l'utilisation de la fonction de réchauffage, ajoutez du temps et augmentez la puissance. Contenu : 3 à 4 oz de viande, de volaille ou de poisson (jusqu'à 6 oz, os/arêtes compris) 1/2 tasse de féculents (pommes de terre, pâtes, riz, etc.) 1/2 tasse de légumes (3 à 4 oz env.)
Ragoût		Couvrez l'assiette avec un couvercle ou un film plastique perforé. Si les aliments ne sont pas suffisamment chauds après l'utilisation de la fonction de réchauffage, ajoutez du temps et augmentez la puissance. Remuez avant de servir.
Pâtes	1 à 4 portions	Contenu : 3 à 4 onces de viande, de volaille ou de poisson (jusqu'à 6 onces, os/arêtes compris) 1/2 tasse de féculents (pommes de terre, pâtes, riz, etc.) 1/2 tasse de légumes (3 à 4 oz env.)

 La « bonne » température des aliments varie d'une personne à l'autre. Laissez les aliments reposer pendant 1 à 5 minutes avant de servir.

BOUTON DÉCONGÉLATION AUTOMATIQUE

Avec ses réglages prédéfinis, le cycle Décongélation automatique est la meilleure méthode de décongélation d'aliments surgelés, car le four règle automatiquement les temps de décongélation en fonction du poids de l'aliment que vous avez saisi. Pendant la décongélation automatique, des signaux sonores retentissent pour vous rappeler de surveiller la cuisson ou de retourner les aliments.

Appuyez une fois sur le bouton **Auto Defrost (Décongélation automatique)**, puis sélectionnez le poids de l'aliment. La plage de poids disponible est comprise entre 0,1 et 6,0 lb.

1. Appuyez sur le bouton **Auto Defrost (Décongélation automatique)**.
2. Utilisez les boutons numériques pour régler le poids.
3. Appuyez sur le bouton **OK/START (OK/DÉPART)**.

 Après avoir appuyé sur le bouton **OK/START (OK/DÉPART)**, le décompte du temps de décongélation s'affiche à l'écran. Le four émet un signal sonore à deux reprises durant la phase de décongélation. Lorsque le four émet un signal sonore deux fois, ouvrez la porte et retournez les aliments comme indiqué. Retirez les morceaux décongelés, retournez les morceaux encore congelés puis appuyez sur le bouton **OK/START (OK/DÉPART)** pour reprendre le cycle de décongélation. Veuillez noter que le cycle de décongélation reste actif tant que le four émet un signal sonore ; il se met en pause lorsque vous ouvrez la porte pour retourner les aliments, puis il reprend lorsque vous appuyez sur **OK/START (OK/DÉPART)**.

Conseils de décongélation

En mode de décongélation automatique, le poids indiqué correspond au poids net en livres et en dizaines de livres (poids des aliments moins celui du récipient).

Utilisez le cycle de décongélation automatique uniquement pour des aliments crus. Le cycle de décongélation automatique donne de meilleurs résultats si la température minimale des aliments est de 0 °F (au sortir du congélateur). Si l'aliment a été conservé dans un réfrigérateur-congélateur à une température n'excédant pas 5 °F, programmez toujours un poids inférieur (pour un temps de décongélation plus court) afin d'éviter de cuire l'aliment.

Si l'aliment est laissé hors du congélateur pendant plus de 20 minutes, saisissez également un poids inférieur.

La forme de l'emballage modifie le temps de décongélation. Les aliments contenus dans des barquettes rectangulaires de faible hauteur décongelent plus rapidement que ceux conditionnés dans des emballages plus haut.

Lorsque vous constatez que les aliments commencent à décongeler, séparez les morceaux. Ils décongèleront plus facilement.

Si des parties commencent à chauffer, recouvrez-les de bandelettes de papier aluminium.

Vous pouvez procéder de la sorte avec les ailes et les extrémités des cuisses de poulet et les queues de poisson ; en revanche, veillez bien à ce que les bandelettes n'entrent jamais en contact avec la paroi du four car des arcs électriques pourraient se former et endommager l'habillage de l'appareil.

Tableau de décongélation automatique

Respectez les instructions suivantes lorsque vous faites décongeler différentes catégories d'aliments.

Catégorie	Quantité standard	Instructions
Rôti de bœuf, porc	2,5 à 6,0 lb	Placez la viande dans le four, côté gras vers le bas. Après chaque phase, retournez les aliments et recouvrez toutes les parties chaudes de fines bandelettes d'aluminium.
Biftecks, côtelettes, poissons	0,5 à 3,0 lb	Après chaque phase de décongélation, changez la disposition des aliments sur le plat. Dès que certains morceaux sont chauds ou décongelés, recouvrez-les de fines bandelettes d'aluminium. Retirez tous les morceaux presque décongelés. Couvrez et laissez reposer pendant 5 à 10 minutes.
Viande hachée	0,5 à 3,0 lb	Après chaque phase de décongélation, retirez tous les morceaux presque décongelés. Couvrez d'une feuille d'aluminium et laissez reposer pendant 5 à 10 minutes.
Poulet entier	2,5 à 6,0 lb	Retirez les abats avant de décongeler la volaille. Posez le poulet côté poitrine vers le bas, puis lancez la décongélation. Après la première phase de décongélation, retournez le poulet et recouvrez toutes les parties chaudes de fines bandelettes d'aluminium. Faites de même après la seconde phase. Couvrez et laissez reposer pendant 30 à 60 minutes au réfrigérateur.
Morceaux de poulet	0,5 à 3,0 lb	Après chaque phase de décongélation, redispensez ou retirez les morceaux presque décongelés. Laissez reposer pendant 10 à 20 minutes.
Pain	0,1 à 2 lb	Disposez les petits pains en cercle sur une feuille de papier absorbant, au centre du plateau tournant. Retournez à la moitié du temps de décongélation.

BOUTON FAIRE RAMOLLIR/FONDRE

Cette fonction vous permet de faire fondre du chocolat ou du fromage à la crème, et de ramollir du beurre.

Exemple : pour faire fondre du chocolat.

1. Appuyez sur le bouton **Soften/Melt (Faire ramollir/Fondre)**.
2. Choisissez la catégorie d'aliment en appuyant plusieurs fois sur le bouton **Soften/Melt (Faire ramollir/Fondre)**.
3. Si nécessaire, choisissez la quantité d'aliment (1 ou 2) à l'aide du pavé numérique.
4. Appuyez sur le bouton **OK/START (OK/DÉPART)**.

Tableau Ramollir/Faire fondre

Fonction	Quantité ou portions	Instructions
Chocolat fondu (St-1)	2 carrés ou 1 tasse de pépites de chocolat	Mettez les pépites ou les carrés de chocolat dans un plat allant au micro-ondes. Remuez bien à mi-cuisson lorsque le four émet un signal sonore, puis redémarrez le four. S'il n'est pas remué, le chocolat conservera sa forme originale, même une fois le temps de chauffe écoulé.
Faire ramollir du fromage à la crème (St-2)	1 boîte (8 oz)	Retirez le fromage à la crème de son emballage et placez-le sur un plat allant au four micro-ondes. Laissez reposer pendant 1 à 2 minutes.
Faire fondre du beurre (St-3)	1 plaquette (1/4 li) 2 plaquettes (1/2 li)	Retirez le beurre de son emballage et coupez-le en deux parties égales dans le sens de la largeur. Placez le beurre dans un plat et couvrez le tout de papier sulfurisé. Remuez bien une fois le beurre fondu et laissez reposer pendant 1 à 2 minutes.

TEMPS DE CUISSON AU FOUR MICRO-ONDES ET NIVEAUX DE PUISSANCE

Le bouton de puissance vous permet de régler la chaleur de Chaud (1) à Élevée (10).

Cuisson à puissance élevée (10)

1. Utilisez le pavé numérique pour régler le temps de cuisson.
2. Appuyez sur le bouton **OK/START (OK/DÉPART)**.
3. Lorsque le temps de cuisson est écoulé, le four émet quatre fois un signal sonore et affiche le message End (Fin).

 Si vous ne saisissez pas la puissance, la cuisson aux micro-ondes s'effectue par défaut à puissance élevée.

Cuisson à de faibles puissances

La cuisson à puissance élevée n'apporte pas toujours les meilleurs résultats pour les aliments nécessitant une cuisson plus lente comme les rôtis, les aliments cuits au four ou les crèmes. Outre la puissance Élevée, votre four offre 9 puissances supplémentaires.

1. Utilisez le pavé numérique pour régler le temps de cuisson.
2. Appuyez sur le bouton **Power Level (Puissance)**.
3. Utilisez le pavé numérique pour saisir la puissance.
4. Appuyez sur le bouton **OK/START (OK/DÉPART)**.
5. Lorsque le temps de cuisson est écoulé, le four émet quatre fois un signal sonore et affiche le message End (Fin).

Cuisson avec plusieurs étapes de cuisson

Pour un résultat optimal, certaines recettes nécessitent un premier niveau de puissance pendant une durée déterminée, puis un second pendant une autre durée. Votre four peut être réglé de manière à passer de l'un à l'autre automatiquement.

1. Utilisez le pavé numérique pour régler le temps de cuisson.
2. Appuyez sur le bouton **Power Level (Puissance)**.
3. Utilisez le pavé numérique pour saisir la puissance.
4. Utilisez le pavé numérique pour régler le deuxième temps de cuisson.
5. Appuyez sur le bouton **Power Level (Puissance)**.
6. Utilisez le pavé numérique pour saisir la puissance.
7. Appuyez sur le bouton **OK/START (OK/DÉPART)**.
8. Lorsque le temps de cuisson est écoulé, le four émet quatre fois un signal sonore et affiche le message End (Fin).

 Lorsque vous sélectionnez plusieurs étapes de cuisson, vous devez appuyer sur le bouton **Power Level (Puissance)** avant de pouvoir saisir la durée et la puissance de la deuxième étape de cuisson.

 Appuyez deux fois sur le bouton **Power Level (Puissance)** pour régler la puissance sur Élevée pour une étape de cuisson.

 Vous ne pouvez pas utiliser la fonction Décongélation automatique avec la fonction de cuisson en plusieurs étapes.

Niveaux de puissance

Les 10 niveaux de puissance vous permettent de choisir le niveau le plus adapté aux aliments que vous cuisinez.

Niveau de puissance	Rendement du four micro-ondes	Utilisation
10 (Élevée)	100 %	Faire bouillir de l'eau. Cuire du bœuf haché. Faire des bonbons. Cuire des fruits et des légumes frais. Cuire poissons et volailles. Préchauffer un plat brunisseur. Réchauffer des boissons. Cuire des tranches de bacon.
9	90 %	Réchauffer rapidement des filets de viande. Faire sauter des oignons, du céleri et des poivrons verts.
8	80 %	Réchauffer tous types d'aliments (assiettes-repas, pâtes, viande, soupe, sauce, etc.). Faire des œufs brouillés.
7	70 %	Cuire du pain et des produits céréaliers. Cuire des plats à base de fromage et du veau. Cuire gâteaux, muffins, brownies et petits gâteaux.
6	60 %	Cuire des pâtes.
5	50 %	Cuire des viandes et de la volaille entière. Réchauffer des crèmes. Cuire un poulet entier, une dinde, des travers de porc, des côtes de bœuf, des rôtis de surlonge.
4	40 %	Cuire des morceaux de viande moins tendres. Réchauffer des plats préparés surgelés.
3	30 %	Décongeler de la viande, de la volaille et des fruits de mer. Cuire des aliments en petites quantités. Finir la cuisson de plats mijotés, ragoûts et certaines sauces.
2	20 %	Ramollir le beurre et le fromage à la crème. Réchauffer des aliments par petites quantités.
1	10 %	Ramollir les crèmes glacées. Faire monter une pâte à beignets.

MODE ÉCO

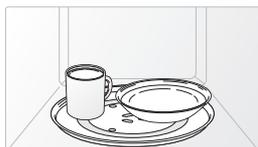
Le mode Éco permet de réduire la consommation en veille. Lorsque vous appuyez une fois sur le bouton **Eco (Éco)**, l'écran s'éteint et le four à micro-ondes passe Éco pour minimiser la consommation d'énergie. Pour annuler le **mode Éco**, appuyez à nouveau une fois sur le bouton **Eco (Éco)** ou appuyez sur n'importe quel autre bouton.

guide des récipients

Pour faire cuire des aliments dans le four micro-ondes, il est nécessaire que les micro-ondes pénètrent dans les aliments sans être réfléchies ou absorbées par le plat utilisé.

Veillez à utiliser un récipient adapté ; il doit présenter une mention spécifiant qu'il convient à une cuisson aux micro-ondes.

Le tableau suivant répertorie la liste des divers types de récipient ainsi que leur méthode d'utilisation dans un four micro-ondes.



USTENSILES ADAPTÉS À LA CUISSON AU FOUR MICRO-ONDES

Si vous ne savez pas si un récipient est adapté à une utilisation dans un micro-ondes, effectuez le test simple suivant :

1. Placez une tasse d'eau (dans un verre mesureur) dans votre four à côté du récipient à tester.
2. Appuyez deux fois sur le bouton **Add 30 sec (Ajouter 30 s)** pour les chauffer tous les deux pendant une minute à puissance élevée.

Une fois la minute écoulée, l'eau doit être chaude et le récipient que vous testez doit être froid. S'il est chaud, cela signifie qu'il absorbe l'énergie des micro-ondes et qu'il ne peut donc pas être utilisé dans ce four.

Récipients	Remarques
Papier aluminium	⚠ Peut être utilisé en petite quantité afin d'empêcher toute surcuisson de certaines zones peu charnues. Des arcs électriques peuvent se former si l'aluminium est placé trop près des parois du four ou si vous en avez utilisé en trop grande quantité.
Plat brunisseur	✓ Le temps de préchauffage ne doit pas excéder huit minutes.
Ustensiles en céramique, porcelaine et grès	✓ S'ils ne comportent pas d'ornements métalliques, les récipients en céramique, en terre cuite, en faïence et en porcelaine sont généralement adaptés.
Carton ou polyester jetable	✓ Certains aliments surgelés sont emballés dans ce type de matière.
Emballages de fast-food	
Tasses/récipients en polystyrène	✓ Peuvent être utilisés pour faire réchauffer des aliments. Une température trop élevée peut faire fondre le polystyrène.
Sacs en papier ou journal	— Peuvent s'enflammer.
Papier recyclé ou ornements métalliques	— Peuvent créer des arcs électriques.

Récipients	Remarques
Plats en verre	
Plats de service adaptés à la cuisson au four	✓ Peuvent être utilisés sauf s'ils sont ornés de décorations métalliques.
Plats en cristal	✓ Peuvent être utilisés pour faire réchauffer des aliments ou des liquides. Les objets fragiles peuvent se briser ou se fendre s'ils sont brusquement soumis à une chaleur excessive.
Pots en verre	✓ Le verre ordinaire est trop fin pour pouvoir être utilisé dans un micro-ondes et risque de se briser.
Métal	
Plats, ustensiles	— Peuvent provoquer des arcs électriques ou s'enflammer.
Attaches métalliques des sacs de congélation	— Peuvent provoquer des arcs électriques ou s'enflammer.
Papier	
Assiettes, tasses, serviettes de table et papier absorbant	✓ Pour des temps de cuisson courts ou de simples réchauffages. Pour absorber l'excès d'humidité.
Papier recyclé	✓ N'utilisez pas de serviettes en papier recyclé car elles peuvent contenir des particules métalliques et s'enflammer ou provoquer des arcs électriques.
Plastique	
Récipients	✓ Utilisables s'il s'agit de thermoplastique résistant à la chaleur. Certaines matières plastiques peuvent se voiler ou se décolorer lorsqu'elles sont soumises à des températures élevées. N'utilisez pas de plastique mélaminé.
Film étirable	✓ Peut être utilisé afin de retenir l'humidité. Évitez d'emballer les aliments de manière trop serrée. Soyez particulièrement vigilant lorsque vous retirez le film du récipient. De la vapeur chaude va s'échapper.
Sacs de congélation	⚠ Uniquement s'ils supportent la température d'ébullition ou s'ils sont adaptés à la cuisson au four. Ne doivent pas être fermés hermétiquement. Perforez-en la surface avec une fourchette si nécessaire.
Papier paraffiné ou sulfurisé	✓ Peut être utilisé afin de retenir l'humidité et d'empêcher les projections.
Thermomètre	✓ N'utilisez que ceux portant la mention « Transparents aux micro-ondes » et suivez les instructions. Ils permettent de contrôler la température à différents endroits. Les thermomètres classiques peuvent être utilisés une fois les aliments retirés du four.
Ustensiles en paille, osier et bois	⚠ Utilisez-les uniquement pour réchauffer des aliments pendant un court laps de temps car ces matières sont inflammables.

✓ : Éléments conseillés

⚠ : À utiliser avec précaution

— : Ne pas utiliser

guide de cuisson

Les micro-ondes sont d'abord attirées puis absorbées par l'eau, la graisse et le sucre contenus dans les aliments. En pénétrant dans les aliments, les micro-ondes provoquent une excitation des molécules. Cette agitation crée des mouvements de friction qui génèrent la chaleur nécessaire à la cuisson des aliments.

CONSEILS GÉNÉRAUX D'UTILISATION DU MICRO-ONDES

Les aliments denses, comme les pommes de terre, chauffent plus lentement que les autres aliments. Les aliments délicats doivent être réchauffés à une puissance moins élevée afin d'éviter qu'ils ne durcissent.

Les aliments dont la peau n'est pas poreuse, tels que les pommes de terre ou les saucisses pour hot-dogs, doivent être percés pour éviter qu'ils n'éclatent.

Il est déconseillé de mettre de l'huile ou de la matière grasse dans le micro-ondes. Les matières grasses et l'huile pourraient entrer en ébullition de façon soudaine et, par conséquent, déborder et provoquer de graves brûlures.

Certains ingrédients chauffent plus vite que d'autres. Par exemple, la confiture située au cœur d'un beignet sera plus chaude que la pâte du beignet. Souvenez-vous en afin de prévenir tout risque de brûlure.

L'altitude et le type d'ustensile utilisé peuvent influencer sur le temps de cuisson. Lorsque vous testez une nouvelle recette, sélectionnez le temps de cuisson minimal et vérifiez occasionnellement les aliments pour éviter qu'ils ne soient trop cuits.

La confection de conserves maison à l'aide du micro-ondes n'est pas recommandée car certaines bactéries pathogènes peuvent ne pas être détruites lors de la cuisson.

Bien que les micro-ondes ne chauffent pas directement les ustensiles, la chaleur des aliments se transmet souvent aux ustensiles. Utilisez toujours des maniques lorsque vous retirez les aliments du four et apprenez aux enfants à procéder de même.

Il n'est pas recommandé de faire des bonbons dans le micro-ondes car le sucre peut atteindre des températures très élevées. Souvenez-vous en afin de prévenir tout risque de blessure.

Techniques de cuisson



Si le four est programmé pour un temps de cuisson supérieur à 25 minutes, il se réglera automatiquement à 70 pour cent de sa puissance après 25 minutes pour éviter toute surchauffe.

Mélange

Ouvrez la porte du four micro-ondes et remuez les aliments de temps à autre (ex. : les plats mijotés ou les légumes) en cours de cuisson afin de répartir uniformément la chaleur. La nourriture située en périphérie du plat absorbe plus d'énergie et chauffe donc plus rapidement ; c'est pourquoi vous devez remuer le contenu en partant du bord vers le centre. Le four s'éteint automatiquement lorsque vous ouvrez la porte pour remuer les aliments.

Disposition

Disposez les aliments de formes inégales (ex. : morceaux de poulet ou côtelettes) de telle façon que la partie la plus épaisse soit orientée vers l'extérieur du plateau tournant et reçoive ainsi une plus grande quantité de micro-ondes. Pour éviter la surcuisson, placez les morceaux fins ou délicats au centre du plateau tournant.

Protection

Recouvrez les aliments de bandelettes de papier aluminium pour éviter la surcuisson. Les extrémités des ailes ou des cuisses de volaille ainsi que les coins des plats carrés sont par exemple des zones particulièrement sensibles. Utilisez uniquement de petites quantités de papier aluminium. De grandes quantités risquent d'endommager votre four.

Rotation

Retournez les aliments à mi-cuisson afin d'en exposer toutes les parties aux micro-ondes. Cette méthode se révèle particulièrement efficace pour la cuisson de grandes pièces de viande comme les rôtis.

Position debout

Les aliments cuits aux micro-ondes conservent la chaleur et continuent à cuire plusieurs minutes après l'arrêt du four. Laissez-les donc reposer quelques instants le temps que la cuisson se termine. Cette consigne s'applique essentiellement aux rôtis et légumes entiers. Le centre du rôti continue donc à cuire sans pour autant que les parties extérieures ne soient trop cuites. Tous les liquides (ex. : soupe ou chocolat chaud) doivent être remués ou mélangés en fin de cuisson. Laissez reposer les liquides quelques instants avant de les servir. Lorsque vous réchauffez des aliments pour bébé, remuez-les bien et vérifiez-en la température avant de les servir.

Ajout de liquide

Les micro-ondes sont attirées par les molécules d'eau. Recouvrez ou laissez reposer les aliments dont la teneur en eau n'est pas uniforme, afin que la chaleur se répartisse de façon homogène. Ajoutez une petite quantité d'eau aux aliments secs pour leur permettre de cuire.

Aération

Lorsque vous recouvrez les plats d'un film plastique, relevez un coin du film afin de permettre à la vapeur de s'échapper.

CUISSON DE LA VIANDE

Placez la viande côté gras vers le bas sur une grille à rôtir adaptée à la cuisson aux micro-ondes et le tout dans un plat du même type. Recouvrez les os ou les parties peu charnues de fines bandelettes de papier aluminium. Vérifiez la température à différents endroits avant de laisser la viande reposer pendant la durée recommandée. Les températures suivantes sont les températures lors du retrait du four. La température des aliments augmente durant le temps de repos.

Aliment	Temps de cuisson/ Puissance	Consignes
Rôti de bœuf (désossé) Jusqu'à 4 lb	Temps de cuisson : 10 à 15 min/lb à 145 °F (saignant) 12 à 17 min/lb à 160 °F (à point) 14 à 19 min/lb à 170 °F (bien cuit)	Placez le rôti côté gras vers le bas sur la grille à rôtir et couvrez de papier sulfurisé. Retournez à la moitié du temps de cuisson. Laissez reposer pendant 10 à 15 minutes.
	Puissance : élevé (10) durant les 5 premières minutes, puis moyen (5).	
Porc (désossé ou non) Jusqu'à 4 lb	Temps de cuisson : 15 à 20 min/lb à 170 °F (bien cuit)	Placez la viande de porc côté gras vers le bas sur la grille à rôtir et couvrez de papier sulfurisé. Retournez à la moitié du temps de cuisson. Laissez reposer pendant 10 à 15 minutes.
	Puissance : élevé (10) durant les 5 premières minutes, puis moyen (5).	

Les températures suivantes sont les températures lors du retrait du four. La température des aliments augmente durant le temps de repos. Attendez-vous à ce que la température s'élève de 10 °F pendant le temps de repos.

Aliment		Retrait du four	Après repos (10 MIN)
Bœuf	Saignant	135 °F	145 °F
	Moyenne	150 °F	160 °F
	Bien cuit	160 °F	170 °F
Porc	Moyenne	150 °F	160 °F
	Bien cuit	160 °F	170 °F
Volaille	Viande noire	170 °F	180 °F
	Viande blanche	160 °F	170 °F

CUISSON DE LA VOLAILLE

Placez la volaille sur une grille à rôti transparente aux micro-ondes, dans un plat adapté aux micro-ondes, et couvrez de papier sulfurisé pour éviter les projections. Recouvrez de fines bandelettes d'aluminium les os, les parties peu charnues et les zones susceptibles de trop cuire.

Vérifiez la température à différents endroits avant de laisser la volaille reposer pendant la durée recommandée.

Aliment	Temps de cuisson/ Puissance	Consignes
Poulet entier Jusqu'à 4 lb	Temps de cuisson : 6 à 10 min/lb 180 °F viande noire 170 °F viande blanche	Placez le poulet, côté poitrine vers le bas, sur la grille à rôti. Couvrez de papier sulfurisé. Retournez à mi-cuisson. Faites cuire jusqu'à ce que le jus s'écoulant du poulet soit clair et que la chair autour des os ne soit plus rosée. Laissez reposer pendant 5 à 10 minutes.
	Puissance : Moyennement élevé (7)	
Morceaux de poulet Jusqu'à 2 lb	Temps de cuisson : 6 à 9 min/lb 180 °F viande noire 170 °F viande blanche	Placez le poulet dans un plat, l'os orienté vers le bas et la partie plus épaisse orientée vers l'extérieur du plat. Couvrez de papier sulfurisé. Retournez à la moitié du temps de cuisson. Faites cuire jusqu'à ce que le jus s'écoulant du poulet soit clair et que la chair autour des os ne soit plus rosée. Laissez reposer pendant 5 à 10 minutes.
	Puissance : Moyennement élevé (7)	

CUISSON DES FRUITS DE MER

Placez le poisson sur une grille à rôti adaptée à la cuisson aux micro-ondes et dans un plat du même type. Utilisez un couvercle hermétique pour cuire le poisson à l'étuvée. L'utilisation de papier sulfurisé ou d'une serviette en papier comme couvercle produit moins de vapeur. Faites cuire le poisson jusqu'à ce qu'il s'émiette facilement à la fourchette. Évitez de surcuire le poisson. Privilégiez le temps de cuisson minimum et vérifiez la cuisson juste après.

Aliment	Temps de cuisson/ Puissance	Consignes
Steaks de thon et de saumon Jusqu'à 1,5 lb	Temps de cuisson : 7 à 11 min/lb	Placez les steaks sur la grille à rôti, côté le plus épais orienté vers l'extérieur de la grille. Couvrez de papier sulfurisé. Retournez à la moitié du temps de cuisson. Faites cuire le poisson jusqu'à ce qu'il s'émiette facilement à la fourchette. Laissez reposer pendant 3 à 5 minutes.
	Puissance : Moyennement élevé (7)	
Filets Jusqu'à 1,5 lb	Temps de cuisson : 4 à 8 min/lb	Placez les filets dans un plat en prenant soin de rentrer les morceaux les plus fins sous les filets. Couvrez de papier sulfurisé. Si l'épaisseur des filets est supérieure à 1/2 pouce, retournez-les à mi-cuisson. Faites cuire le poisson jusqu'à ce qu'il s'émiette facilement à la fourchette. Laissez reposer pendant 2 à 3 minutes.
	Puissance : Moyennement élevé (7)	
Crevettes Jusqu'à 1,5 lb	Temps de cuisson : 4 à 6½ min/lb	Répartissez les crevettes dans un plat en évitant qu'elles ne se chevauchent. Couvrez de papier sulfurisé. Faites-les cuire jusqu'à ce qu'elles deviennent fermes et opaques tout en les changeant 2 à 3 fois de position en cours de cuisson. Laissez reposer pendant 5 minutes.
	Puissance : Moyennement élevé (7)	

CUISSON DES ŒUFS

Vous pouvez utiliser votre four à micro-ondes pour cuire des œufs. Faites-les cuire juste ce qu'il faut car ils deviennent durs lorsqu'ils sont trop cuits.



Ne faites jamais cuire des œufs ou réchauffer des œufs durs dans leur coquille car ils risqueraient d'exploser. Percez toujours les œufs entiers afin d'éviter qu'ils n'éclatent.

CUISSON DES LÉGUMES

Lavez les légumes avant de procéder à la cuisson. Il est généralement inutile d'ajouter de l'eau. Pour les légumes à chair dense tels que les pommes de terre, les carottes et les haricots verts, ajoutez environ ¼ de verre d'eau.

Les petits légumes (rondelles de carottes, petits pois, haricots du Cap, etc.) cuisent plus vite que les légumes plus volumineux.

Les légumes entiers, comme les pommes de terre, courges ou épis de maïs, doivent être disposés en cercle sur le plateau tournant avant la cuisson. Ils cuiront de manière plus uniforme si vous les retournez à mi-cuisson.

Dirigez toujours la tige des légumes (ex. : asperges, brocolis) vers les bords du plat, pointe vers le centre.

Lorsque vous faites cuire des légumes coupés en morceaux, recouvrez toujours le plat d'un couvercle ou d'un film plastique perforé adapté à la cuisson aux micro-ondes.

Avant la cuisson, percez la peau des légumes entiers non pelés (ex. : pommes de terre, courges, aubergines, etc.) afin d'éviter qu'ils n'éclatent.

Pour une cuisson plus uniforme, remuez les légumes entiers ou changez leur disposition à mi-cuisson.

Généralement, plus l'aliment est dense, plus le temps de repos est long (le temps de repos correspond au temps nécessaire aux aliments denses et volumineux pour terminer leur cuisson une fois sortis du four). Une pomme de terre au four doit reposer pendant cinq minutes avant que sa cuisson ne soit terminée, alors qu'un plat de petits pois peut être servi immédiatement.

RECETTES

Ragoût de bœuf à l'orge

1,5 lb de bœuf découpé en morceaux d'environ 0,5 pouce d'épaisseur
½ tasse d'oignons hachés
2 cuillères à soupe de farine
1 cuillère à soupe de sauce Worcestershire
Bouillon de bœuf (entre 13,75 et 14,5 onces)
2 carottes moyennes, coupées en rondelles de 0,5 pouce (1 tasse env.)
½ tasse d'orge
1 feuille de laurier
¼ cc de poivre
1 paquet (9 à 10 onces) de pois surgelés, décongelés

1. Dans un faitout d'une contenance de 2 litres, incorporez le bœuf, les oignons, la farine et la sauce Worcestershire. Mélangez bien. Couvrez. Faites cuire à puissance élevée pendant 6 à 8 minutes, en mélangeant une fois, jusqu'à ce que la viande ne soit plus rosée.
2. Ajoutez le bouillon, les carottes, l'orge, les feuilles de laurier et le poivre. Remuez. Couvrez. Faites cuire à puissance moyenne pendant 1h00 à 1h30, en mélangeant 2 à 3 fois, jusqu'à ce que les carottes et le bœuf soient bien tendres.
3. Ajoutez les pois. Couvrez. Faites cuire à puissance moyenne pendant 10 minutes. Laissez reposer pendant 10 minutes. Retirez les feuilles de laurier avant de servir.

Pour 6 personnes.

Brocolis au fromage

¼ tasse de beurre ou de margarine
¼ tasse d'oignons hachés
1½ cuillère à soupe de farine
½ cuillère à café de sel
¼ cuillère à café de moutarde
⅛ cuillère à café de poivre
1½ tasse de lait
¼ tasse de poivron rouge haché
8 onces (2 tasses) de fromage râpé de type Cheddar
1 paquet (9 à 10 onces) de brocolis hachés surgelés, décongelés
4 tasses de pâtes cuites torsadées (8 onces de pâtes sèches)

1. Dans un faitout d'une contenance de 2 litres, faites cuire le beurre et les oignons à puissance élevée pendant 1 à 2 minutes, en remuant une fois, jusqu'à ce que les oignons soient bien tendres.
2. Ajoutez la farine, le sel, la moutarde et le poivre. Mélangez bien. Faites cuire à puissance élevée pendant 30 à 60 secondes jusqu'à ébullition. Incorporez le lait et mélangez jusqu'à l'obtention d'un mélange onctueux.
3. Incorporez le poivron rouge. Faites cuire à puissance élevée pendant 2 à 3 minutes, en remuant deux fois, jusqu'à ce que le mélange entre en ébullition et s'épaississe légèrement. Incorporez le fromage et mélangez bien jusqu'à ce qu'il soit entièrement fondu.
4. Ajoutez les brocolis et les pâtes. Mélangez bien. Couvrez. Faites cuire à puissance élevée pendant 4 à 6 minutes, en remuant une fois, jusqu'à ce que le mélange soit bien chaud. Remuez avant de servir.

Pour 6 personnes.

Salade de pommes de terre chaude

2 lb de petites pommes de terre à peau rouge (Roseval), coupées en morceaux de 0,5 pouce
4 tranches de lard (cru) coupées en morceaux de ½ pouce
¼ tasse d'oignons hachés
2 cuillères à café de sucre
1 cuillère à café de sel
1 cuillère à café de farine
½ cuillère à café de graines de céleri
⅛ cuillère à café de poivre
2½ cuillères à soupe de vinaigre de cidre

1. Dans un faitout d'une contenance de 2 litres, incorporez les pommes de terre avec le ¼ de tasse d'eau. Couvrez. Faites cuire à puissance élevée jusqu'à ce que les pommes de terre soient tendres (7 à 10 min.), en mélangeant deux fois. Égouttez et laissez refroidir le tout quelques instants.
2. Dans un saladier de taille moyenne, faites cuire les tranches de lard à puissance élevée, en mélangeant une fois, jusqu'à ce qu'elles deviennent croustillantes (2½ à 3½ minutes). Disposez les tranches sur du papier absorbant. Prélevez une cuillère à soupe de graisse de cuisson du lard.
3. Mélangez-la avec les oignons. Recouvrez le tout de film étirable et relevez-en un coin pour laisser s'échapper la vapeur. Faites cuire à puissance élevée jusqu'à ce que la préparation soit tendre (1½ à 2½ minutes) ; mélangez une fois.
4. Incorporez le sucre, le sel, la farine, les graines de céleri et le poivre. Faites cuire à puissance élevée jusqu'à ébullition du mélange (30 à 40 secondes). Ajoutez le vinaigre et une ½ tasse d'eau. Faites cuire à puissance élevée jusqu'à ce que le liquide entre en ébullition et s'épaississe légèrement (1 à 2 minutes), mélangez. Ajoutez les tranches de lard à la sauce. Versez la sauce sur les pommes de terre. Remuez bien.

Pour 6 personnes.

Soupe de haricots noirs

1 tasse d'oignons hachés
1 gousse d'ail, émincée
2 boîtes (15 onces chacune) de haricots noirs égouttés
1 boîte (entre 14 et 16 onces) de tomates concassées
Bouillon de poulet (entre 13,75 et 14,5 onces)
1 boîte (entre 7 et 8,5 onces) de maïs
1 boîte (4 onces) de piments verts émincés
1 à 2 c. à café de cumin en poudre

1. Mettez les oignons et l'ail dans un faitout d'une contenance de 3 litres. Couvrez. Faites cuire à puissance élevée pendant 2 à 4 minutes jusqu'à ce qu'ils deviennent tendres.
2. Ajoutez une boîte de haricots et écrasez-les à l'aide d'une fourchette. Ajoutez le reste des ingrédients et mélangez bien.
3. Faites cuire à puissance élevée pendant 10 minutes sans couvercle ; mélangez. Réglez la puissance sur le niveau moyen et faites cuire pendant 5 minutes. Remuez avant de servir.

Pour environ deux litres de soupe.

nettoyage et entretien de votre four micro-ondes

Garder votre four micro-ondes propre permet d'améliorer ses performances, d'éviter les réparations inutiles et de prolonger sa durée de vie.

NETTOYAGE DE LA PARTIE EXTÉRIEURE

Il est préférable de nettoyer immédiatement les traces de projections à l'extérieur du four. Utilisez un chiffon doux et de l'eau chaude savonneuse. Rincez et séchez.



Évitez de mouiller les orifices de ventilation. N'utilisez jamais de produits abrasifs ou de solvants chimiques tels que l'ammoniac ou l'alcool, qui risqueraient d'altérer l'apparence de votre micro-ondes.

Nettoyage du dessous de votre four micro-ondes

Nettoyez régulièrement la graisse et la poussière accumulées sur le dessous de votre micro-ondes à l'aide d'un mélange d'eau chaude et de produit de nettoyage.

Nettoyage du tableau de commande

Frottez de l'un torchon humide, puis essuyez soigneusement. N'utilisez pas de décapants, de savon et d'eau en grandes quantités, de produits abrasifs ou d'objets pointus sur le tableau car il est fragile.

Nettoyage de la porte et des joints

Veillez toujours à ce que les joints de la porte soient propres et à ce que celle-ci ferme correctement. Nettoyez avec un soin tout particulier les joints de la porte afin qu'aucune particule ne s'accumule et ne nuise à l'étanchéité de la porte. Nettoyez la vitre de la porte à l'aide d'eau et de savon très doux. Veillez à utiliser un chiffon doux pour éviter les rayures.

Si une mince pellicule d'eau se forme sur la paroi intérieure ou extérieure de la vitre du four, essuyez-la à l'aide d'un chiffon doux. Ce phénomène peut se produire lorsque les aliments placés à l'intérieur du four possèdent une forte teneur en eau. Cela n'indique en rien la présence d'une fuite dans le micro-ondes.

NETTOYAGE DE LA PARTIE INTÉRIEURE



Assurez-vous que le four micro-ondes a refroidi avant de le nettoyer afin d'éviter toute blessure.



Retirez le plateau en verre du four lorsque vous souhaitez nettoyer le four ou le plateau. Pour ne pas briser le plateau, manipulez-le avec précaution et ne le plongez pas dans l'eau immédiatement après la cuisson. Lavez le plateau avec précaution dans de l'eau chaude savonneuse ou au lave-vaisselle.

Nettoyez régulièrement les surfaces internes (parois) de votre four micro-ondes afin d'éliminer les projections ou les taches. Pour éliminer les particules d'aliments incrustées et les mauvaises odeurs, faites chauffer 2 tasses d'eau (additionnée de jus de citron pour désodoriser) dans un récipient en verre d'une capacité de quatre tasses à puissance élevée pendant 5 minutes ou jusqu'à ébullition. Laissez l'eau reposer dans le four pendant une à deux minutes.

NETTOYAGE DU PLATEAU TOURNANT ET DE L'ANNEAU DE GUIDAGE

Nettoyez régulièrement l'anneau de guidage et lavez le plateau tournant dès que nécessaire. Le plateau tournant peut être lavé en toute sécurité au lave-vaisselle.

RANGEMENT ET ENTRETIEN DU FOUR À MICRO-ONDES

Si vous devez entreposer votre four à micro-ondes pour une période courte ou prolongée, choisissez un endroit sec et non poussiéreux. La poussière et l'humidité risquent de détériorer certains éléments du four.

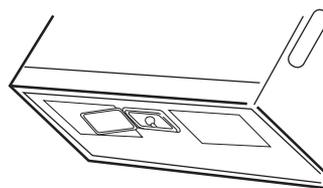


- Ne réparez pas et ne remplacez pas vous-même les éléments du four. Seul un technicien qualifié peut effectuer les réparations. Si le four est en panne ou nécessite une intervention technique, débranchez-le de la prise d'alimentation et contactez votre centre de dépannage Samsung le plus proche.
- N'utilisez pas le four si la porte paraît endommagée (ex. : porte ou joints) ; il peut s'agir d'une charnière cassée, d'un joint usé ou d'un habillage déformé.
- Ne retirez pas le four de son habillage.
- Ce four à micro-ondes est conçu pour une utilisation domestique et non pour une utilisation commerciale.

REPLACEMENT DE L'AMPOULE DE LA SURFACE DE CUISSON/VEILLEUSE

Lors de l'opération de remplacement de l'ampoule de la surface de cuisson/veilleuse, portez des gants afin d'éviter toute brûlure.

1. Débranchez le four ou coupez l'alimentation au niveau de la prise d'alimentation secteur.
2. Retirez la vis du cache de l'ampoule et abaissez la protection.
3. Installez une ampoule à incandescence de 40 W.
4. Remplacez la protection de l'ampoule et les vis de fixation.
5. Rétablissez l'alimentation sur le tableau électrique principal ou branchez le four à micro-ondes.

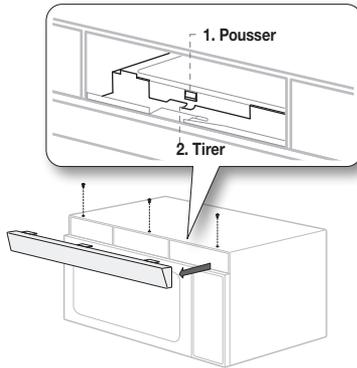


REPLACEMENT DE L'AMPOULE DU FOUR

Lors de l'opération de remplacement de l'ampoule du four, portez des gants afin d'éviter toute brûlure.

1. Débranchez le four ou coupez l'alimentation au niveau de la prise d'alimentation secteur.
2. Ouvrez la porte.
3. Retirez les vis de montage de la protection du ventilateur (3 vis au centre).
4. Faites coulisser la grille du ventilateur vers la gauche, puis tirez-la tout droit vers l'extérieur.
5. Retirez le filtre à charbon actif s'il y en a un.

6. Retirez la protection en poussant le crochet et en levant le levier.
7. Retirez l'ampoule en la dévissant doucement.
8. Installez une ampoule neuve de 40 W.
9. Remontez le support de l'ampoule.
10. Remplacez la grille du ventilateur et les 3 vis.
11. Rétablissez l'alimentation ou branchez le four à micro-ondes.



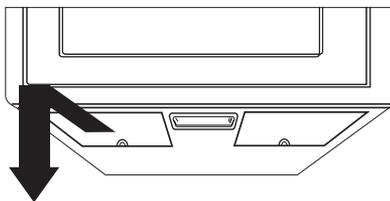
NETTOYAGE DU FILTRE À GRAISSE

Votre four micro-ondes est équipé de deux filtres à graisse métalliques réutilisables. Les filtres à graisse doivent être retirés et nettoyés au moins une fois par mois ou lorsque nécessaire.



Pour éviter tout risque de blessures ou de dommages matériels, ne faites jamais fonctionner la hotte du four sans les filtres.

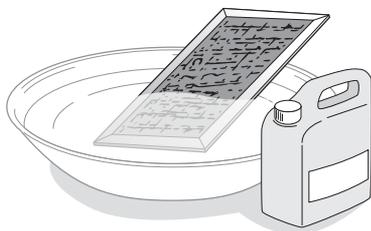
1. Pour retirer le filtre, ouvrez-le du côté gauche (ou droit) en vous aidant de la languette.



2. Laissez tremper le filtre dans un détergent doux dilué dans de l'eau chaude. Rincez-le et secouez-le pour le faire sécher. Brossez doucement le filtre pour retirer les saletés incrustées.



N'utilisez pas d'ammoniac et n'essayez pas de faire sécher le filtre à graisse dans le four à micro-ondes. L'aluminium noircirait.

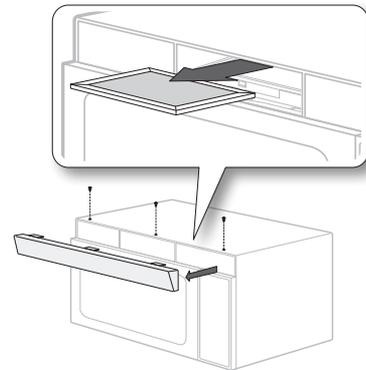


3. Pour réinstaller le filtre, insérez-le dans l'encoche à gauche (ou à droite), puis poussez-le vers le haut et la droite (ou la gauche) pour le bloquer.

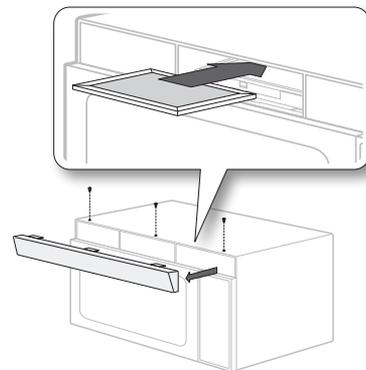
REMPACEMENT DU FILTRE À CHARBON

Si la ventilation fonctionne à l'intérieur du four, le filtre à charbon doit être remplacé tous les 6 à 12 mois ou plus si nécessaire. Le filtre à charbon ne doit pas être nettoyé. Pour commander un nouveau filtre à charbon, communiquez avec le service des pièces détachées Samsung au 1-800-627-4368 ou avec votre revendeur Samsung. Vous pouvez également commander en ligne sur www.samsungparts.com

1. Débranchez le four ou coupez l'alimentation au niveau de la prise d'alimentation secteur.
2. Ouvrez la porte.
3. Retirez les vis de montage de la grille du ventilateur (3 vis au centre).
4. Faites coulisser la grille du ventilateur vers la gauche, puis tirez-la tout droit vers l'extérieur.
5. Poussez le crochet, puis retirez le filtre usagé.



6. Placez un filtre à charbon actif neuf en le faisant coulisser. Le filtre doit être installé selon l'angle indiqué sur la figure.
7. Remplacez la grille du ventilateur et les 3 vis, puis fermez la porte. Remettez l'appareil sous tension, puis réglez l'horloge.



dépannage

Consultez cette section si vous rencontrez un problème de fonctionnement :

Problème	Solutions
L'affichage et/ou le four ne fonctionne pas.	Assurez-vous que la fiche est branchée sur une prise correctement mise à la terre. Si la prise murale est commandée par un interrupteur mural, assurez-vous que celui-ci est en position ouverte. Retirez la fiche de la prise, attendez dix secondes, puis rebranchez-la. Réarmez le disjoncteur ou remplacez les fusibles grillés. Branchez un autre appareil sur la prise. Si l'appareil ne fonctionne pas, contactez un électricien qualifié afin de réparer la prise murale. Branchez le four sur une autre prise.
L'affichage fonctionne mais l'appareil ne s'allume pas.	Assurez-vous que la porte est correctement fermée. Vérifiez qu'il ne reste aucun résidu de matériel d'emballage ou tout autre matériau sur le joint de la porte. Vérifiez que la porte n'est pas endommagée. Appuyez deux fois sur Annuler pour saisir à nouveau toutes les instructions de cuisson.
L'appareil s'éteint-il avant la fin du temps programmé ?	S'il y a eu une coupure de courant, l'horloge affiche : 88:88. Si aucune coupure de courant ne s'est produite, retirez la fiche de la prise, attendez dix secondes, puis rebranchez-la. Réglez l'heure et saisissez une nouvelle fois les consignes de cuisson. Réarmez le disjoncteur ou remplacez les fusibles grillés.
La cuisson des aliments est trop lente.	Assurez-vous que le four a son propre circuit d'alimentation électrique de 15 ou 20 A. L'utilisation d'un autre appareil sur le même circuit risque d'entraîner une chute de tension. Au besoin, rebranchez le four sur son propre circuit.
Formation d'étincelles ou d'arcs électriques.	Retirez du four les éventuels ustensiles, plats ou attaches en métal. Si vous utilisez du papier aluminium, découpez uniquement de petites bandelettes et ménagez un espace d'au moins un pouce entre l'aluminium et les parois internes du four.
Le plateau tournant est bruyant ou ne tourne pas.	Nettoyez le plateau tournant, son anneau et la sole du four. Assurez-vous que le plateau tournant et son anneau sont placés correctement.
Provoque des interférences sur la radio ou le téléviseur.	Ces interférences sont semblables à celles provoquées par les autres petits appareils, tels que les sèche-cheveux. Éloignez votre four à micro-ondes (ou l'appareil) des appareils affectés (téléviseur ou radio).
La force d'aspiration du moteur du ventilateur est trop faible.	Réglez le mode de ventilation sur élevé. Le ventilateur ne fonctionne qu'en mode de vitesse faible pendant le fonctionnement du micro-ondes.

Problème	Solutions
Le bruit de fonctionnement est trop fort.	Le four à micro-ondes est bruyant pendant le fonctionnement. Ceci est tout à fait normal. Si vous entendez de façon continue un bruit anormal, veuillez contacter le Centre d'assistance Samsung (1-800-726-7864).
L'intensité de la lampe de surface cuisson est trop faible.	Réglez la luminosité de la lampe sur le niveau élevé.
Il est difficile de remplacer le filtre à charbon.	Reportez-vous aux instructions contenues dans le manuel d'utilisation pour le remplacement du filtre à charbon.
Le plateau tournant ne tourne pas correctement.	Vérifiez que vous n'avez pas chargé le plateau tournant avec trop d'aliments. Si les aliments sont trop encombrants ou trop lourds, le plateau tournant peut éventuellement mal fonctionner.

annexe

Caractéristiques techniques

Numéro de modèle	ME17R7021E*/AA/A2	
Dimensions intérieures du four : 1,7 pied cube	Minuterie : 99 minutes, 99 secondes	Commandes : 10 niveaux de puissance, décongélation incluse
Alimentation : 120 V CA, 60 Hz	Puissance : 1000 W	Consommation électrique : 1580 W
Poids net/avec emballage	ST : 48,3 / 55,1 lb B/W : 47,0 / 54,0 lb	
Dimensions extérieures	29 ⁷ / ₈ "(L) X 17 ¹ / ₁₆ "(H) X 16 ¹ / ₂ "(P)	
Dimensions intérieures	19 ⁵ / ₁₆ "(L) X 9 ⁵ / ₈ "(H) X 14 ³ / ₈ "(P)	
Dimensions dans l'emballage	33 ¹¹ / ₃₂ "(L) X 20 ²⁵ / ₃₂ "(H) X 19 ³ / ₈ "(P)	
Numéro de modèle	ME17R70*1E*/AC	
Dimensions intérieures du four : 1,7 pied cube	Minuterie : 99 minutes, 99 secondes	Commandes : 10 niveaux de puissance, décongélation incluse
Alimentation : 120 V CA, 60 Hz	Puissance : 1000 W	Consommation électrique : 1500 W
Poids net/avec emballage	ST : 48,3 / 55,1 lb B/W : 47,0 / 54,0 lb	
Dimensions extérieures	29 ⁷ / ₈ "(L) X 17 ¹ / ₁₆ "(H) X 16 ¹ / ₂ "(P)	
Dimensions intérieures	19 ⁵ / ₁₆ "(L) X 9 ⁵ / ₈ "(H) X 14 ³ / ₈ "(P)	
Dimensions dans l'emballage	33 ¹¹ / ₃₂ "(L) X 20 ²⁵ / ₃₂ "(H) X 19 ³ / ₈ "(P)	

garantie (États-Unis)

FOUR MICRO-ONDES À HOTTE INTÉGRÉE DE SAMSUNG

GARANTIE LIMITÉE POUR L'ACHETEUR INITIAL AVEC PREUVE D'ACHAT

Ce produit de la marque SAMSUNG, fourni et distribué par SAMSUNG ELECTRONICS AMERICA, INC. (SAMSUNG) et livré neuf, dans son carton d'origine à l'acheteur et consommateur initial, s'accompagne d'une garantie de SAMSUNG contre tout vice de fabrication au niveau des pièces et de la main d'œuvre pendant une période limitée, commençant à la date d'achat initial, de :

Un (1) an (pièces et main d'œuvre)

Dix (10) ans (pièces du magnétron uniquement)

La présente garantie limitée ne s'applique qu'aux produits achetés et utilisés au sein des États-Unis et ayant été installés, utilisés et entretenus conformément aux instructions jointes ou fournies avec le produit. Pour se prévaloir du service de garantie, l'acheteur doit contacter SAMSUNG à l'adresse ou au numéro de téléphone fournis ci-dessous afin d'établir les procédures relatives au diagnostic et à l'intervention nécessaire. Le service de garantie ne peut être assuré que par un service technique agréé SAMSUNG. La facture datée et originale doit être présentée sur demande comme preuve d'achat à SAMSUNG ou au service technique agréé SAMSUNG pour pouvoir bénéficier du service de garantie.

SAMSUNG vous assure un service de réparation à domicile au sein des États-Unis contigus pendant la période de garantie et ce gratuitement, sous réserve de disponibilité des agents agréés du service technique SAMSUNG dans la zone géographique du client. Si le service de réparation à domicile n'est pas disponible, SAMSUNG peut organiser, à sa seule discrétion, le transport de l'appareil vers ou depuis un centre technique agréé. Si l'appareil se trouve dans une zone où la réparation par un agent agréé du service technique SAMSUNG n'est pas disponible, il se peut que vous deviez vous acquitter de frais de transport ou apporter l'appareil dans un centre technique agréé SAMSUNG pour faire la réparation.

Pour bénéficier du service de réparation à domicile, vous devez veiller à ce que l'appareil soit dépourvu d'obstacle accessible à l'agent de maintenance.

Pendant la période de garantie applicable, l'appareil sera réparé, remplacé ou remboursé à la valeur de son prix d'achat, à la seule discrétion de SAMSUNG. SAMSUNG peut être amenée à utiliser des pièces neuves ou reconditionnées lors de la réparation de l'appareil, ou à remplacer l'appareil par un appareil neuf ou reconditionné. Les pièces et produits de rechange sont garantis pendant la partie restante de la garantie initiale du produit ou alors pendant quatre-vingt-dix (90) jours, selon la période qui est la plus longue. Toute pièce ou tout appareil remplacé devient la propriété de SAMSUNG et vous devez les restituer à SAMSUNG.

La présente garantie limitée couvre les défauts de fabrication au niveau des pièces et de la main-d'œuvre survenant dans le cadre d'un usage domestique normal, non commercial de ce produit et ne couvre pas les situations suivantes : dommages survenant au cours de l'expédition, la livraison, l'installation et l'utilisation de l'appareil qui serait contraire au but auquel il était destiné ; dommages causés par une modification ou altération non autorisée du produit ; produits dont le numéro de série initial apposé en usine a été effacé, déformé, modifié d'une quelconque façon ou est illisible ; dommages de nature esthétique notamment les rayures, piqûres, éclats et autres dommages sur la finition du produit ; dommages causés par un abus, un usage inapproprié, une surchauffe due à une cuisson excessive, tout problème relatif au plateau en verre ou au plateau tournant, une prolifération d'insectes nuisibles, un accident, un incendie, des inondations, ou d'autres catastrophes naturelles ; dommages causés par l'utilisation de matériel, utilitaires, services, pièces, fournitures, accessoires, applications, installations, réparations, câblage externe ou connecteurs non fournis ou non autorisés par SAMSUNG ; dommages causés par un courant de phase ou une tension électrique incorrect(e), des fluctuations et surtensions ; dommages causés par le non-respect des instructions d'utilisation et de maintenance

du produit ; instructions à domicile sur la bonne utilisation de votre produit ; interventions visant à corriger une installation qui n'est pas conforme aux normes d'électricité et de plomberie ou à corriger les raccordements électriques ou de plomberie du domicile (c.-à-d. câblage du domicile, fusibles, ou tuyaux d'arrivée d'eau) ; et une puissance réduite du magnétron en raison d'une usure normale.

Le coût des réparations ou du remplacement dans de telles circonstances exclues sera à la charge du client.

Les interventions par un réparateur agréé visant à expliquer les fonctions du produit ou les procédures de maintenance ou d'installation ne sont pas couvertes par la présente garantie limitée. Veuillez communiquer avec SAMSUNG au numéro indiqué ci-dessous pour obtenir de l'aide sur l'un de ces problèmes.

Samsung facturera les travaux de réparation pour le remplacement d'un accessoire ou la réparation de dommages esthétiques, si l'endommagement de l'appareil et/ou l'endommagement ou la perte de l'accessoire a été occasionné(e) par le client. Les éléments concernés sont :

- Porte, poignée, panneau extérieur ou tableau de commandes bosselé(e), rayé(e) ou brisé(e)
- Plateau, guide de plateau roulant, coupleur, filtre ou grille métallique brisé(e) ou perdu(e)

Les pièces ayant été déterminées par SAMSUNG comme pouvant être remplacées par l'utilisateur peuvent être envoyées au client à des fins d'installation. À la seule discrétion de SAMSUNG, un agent agréé du service technique peut être envoyé pour procéder à l'installation en question.

EXCLUSION DE GARANTIES IMPLICITES

LES GARANTIES IMPLICITES, Y COMPRIS LES GARANTIES IMPLICITES DE QUALITÉ MARCHANDE OU D'ADÉQUATION À UN USAGE PARTICULIER, SONT LIMITÉES À UN AN OU À LA PLUS COURTE PÉRIODE AUTORISÉE PAR LA LOI. Certains États et certaines juridictions n'autorisent pas de limitations quant à la durée d'une garantie implicite ; il se peut par conséquent que les limitations et exclusions énoncées ci-dessus ne s'appliquent pas à votre cas. La présente garantie vous confère des droits spécifiques ; il est donc possible que vous bénéficiez d'autres droits qui varieront d'un État ou d'une juridiction à un(e) autre.

LIMITATION DE RECOURS

VOTRE SEUL ET EXCLUSIF RECOURS EST LA RÉPARATION DU PRODUIT, SON REMPLACEMENT, OU LE REMBOURSEMENT DE SON PRIX D'ACHAT À LA SEULE DISCRÉTION DE SAMSUNG, COMME PROPOSÉ DANS LA PRÉSENTE GARANTIE LIMITÉE. SAMSUNG NE SAURA ÊTRE TENU RESPONSABLE EN CAS DE DOMMAGES ACCESSOIRES, INDIRECTS OU SPÉCIAUX, NOTAMMENT MAIS SANS POUR AUTANT S'Y LIMITER LE TEMPS PRIS SUR LE TRAVAIL, LES FRAIS D'HÔTELS ET/OU DE RESTAURATION, LES DÉPENSES DE RÉNOVATION, LA PERTE DE BÉNÉFICES OU DE REVENUS OU L'IMPOSSIBILITÉ DE RÉALISER LES ÉCONOMIES ESCOMPTÉES, QUELLE QUE SOIT LA BASE JURIDIQUE INVOQUÉE POUR JUSTIFIER L'ASSERTION, ET MÊME SI SAMSUNG A ÉTÉ AVISÉ DE LA POSSIBILITÉ DE TELS DOMMAGES. Certains États et certaines juridictions n'autorisent pas l'exclusion ou les limitations pour dommages accessoires ou indirects. Il est donc possible que les limitations ou exclusions ci-dessus ne s'appliquent pas à votre cas. La présente garantie vous confère des droits spécifiques ; il est donc possible que vous bénéficiez d'autres droits qui varieront d'un État ou d'une juridiction à un(e) autre.

SAMSUNG ne garantit pas un fonctionnement continu ou sans erreur de l'appareil. Samsung ne sera tenu d'honorer aucune autre garantie donnée par toute autre personne, firme ou société quant à cet appareil.

Pour bénéficier du service de garantie, contactez SAMSUNG à l'adresse suivante : Samsung Electronics America, Inc.
85 Challenger Road
Ridgefield Park, NJ 07660

**1-800-SAMSUNG (726-7864) et
www.samsung.com/us/support**

garantie (Canada)

FOUR MICRO-ONDES À HOTTE INTÉGRÉE DE SAMSUNG

Garantie limitée à l'acquéreur d'origine

Ce produit de la marque SAMSUNG, fourni et distribué par Samsung Electronics Canada, Inc. (SAMSUNG), livré en état neuf dans son carton d'origine et acheté par le consommateur et acquéreur d'origine, s'accompagne d'une garantie de SAMSUNG contre tout vice de fabrication au niveau des pièces et de la main d'œuvre pendant une période limitée de :

UN (1) AN POUR LES PIÈCES ET LA MAIN D'ŒUVRE, CINQ (5) ANS POUR LES PIÈCES DU MAGNÉTRON

Samsung facturera les travaux de réparation lorsqu'un accessoire doit être réparé ou un défaut esthétique corrigé, si l'endommagement de l'appareil et/ou l'endommagement ou la perte de l'accessoire a été occasionné(e) par le client. Les éléments concernés par cette stipulation sont :

- une porte, une poignée, un panneau extérieur ou le tableau de commandes bosselé(e), rayé(e) ou brisé(e)
- un plateau, un guide de plateau roulant, un coupleur, un filtre ou une grille métallique brisé(e) ou manquant(e)

Les pièces remplacées par l'utilisateur peuvent être envoyées au client pour réparation. Si nécessaire, un ingénieur du service d'assistance pourra être envoyé pour effectuer les réparations.

Cette limite de garantie s'applique à compter de la date d'acquisition et couvre uniquement les produits achetés et utilisés au Canada. Pour se prévaloir du service de garantie, l'acheteur doit contacter SAMSUNG afin d'établir les procédures relatives au diagnostic et à l'intervention nécessaire. Pour être couverte par la garantie, la maintenance ne peut être effectuée que par un service technique agréé SAMSUNG. Lors de la remise d'un produit défectueux à SAMSUNG ou à un centre de service SAMSUNG agréé, l'acquéreur est tenu de présenter le coupon d'achat d'origine à la demande des intéressés à titre de preuve d'achat.

La société SAMSUNG prendra en charge, à sa convenance, la réparation ou le remplacement du produit à ses frais tel que stipulé dans les présentes conditions et procédera au remplacement ou au changement des pièces ou des produits si ces derniers s'avèrent défectueux dans la limite de la période de garantie mentionnée précédemment. Toute pièce ou tout produit remplacé devient la propriété de SAMSUNG et doit lui être restitué. Les pièces et produits de rechange sont protégés pour le reste de la période de garantie initiale ou pour quatre-vingt-dix (90) jours, selon l'éventualité la plus éloignée.

En fonction des disponibilités sur le territoire canadien contigu, un service à domicile est proposé dans la limite de la période de garantie. Le service à domicile n'est pas disponible pour toutes les zones. Pour bénéficier du service à domicile, l'appareil doit être facilement accessible à notre personnel. Dans le cas où il serait impossible de réparer l'appareil au cours du service à domicile, il se peut que l'appareil doive être emporté, réparé et retourné. En cas d'indisponibilité du service à domicile, SAMSUNG pourra choisir le moyen de transport de son choix pour acheminer ou renvoyer l'appareil vers et depuis un centre de service agréé de SAMSUNG. Dans le cas contraire, la responsabilité du transport vers et depuis le centre de service agréé de SAMSUNG incombera à l'acquéreur.

Cette garantie limitée couvre les défauts de fabrication relatifs aux matériaux ou à la main d'œuvre survenant dans le cadre d'un usage normal et non commercial de ce produit et ne s'applique pas aux situations suivantes, sans pour autant s'y limiter : tout dommage survenant au cours de l'expédition, la livraison et l'installation ; toute utilisation de l'appareil contraire au but auquel il était destiné ; tout numéro de produit ou de série effacé ; tout dommage du revêtement extérieur ou de l'aspect du produit ; tout dommage causé par accident, abus, négligence, incendie, inondation, foudre ou autre catastrophe naturelle ; toute utilisation de produits, équipements,

systèmes, appareils, services, pièces, fournitures, accessoires, applications, installations, réparations, câblages externes ou connecteurs non fournis ou autorisés par SAMSUNG et susceptibles d'endommager ledit appareil ou de nuire à son fonctionnement ; toute surtension, fluctuation ou tension de ligne électrique incorrecte ; tout réglage effectué par l'acquéreur et non-respect des instructions de fonctionnement, de nettoyage, d'entretien et de respect de l'environnement couvertes et prescrites dans le carnet d'instructions ; tout problème résultant d'une prolifération d'insectes nuisibles, d'une surchauffe ou d'un plat trop cuit par l'utilisateur ; les problèmes relatifs au plateau en verre ou au plateau tournant ou à une puissance réduite du magnétron en raison d'une usure normale. SAMSUNG ne garantit pas un fonctionnement continu ou sans erreur de ce produit.

SAMSUNG NE FOURNIT AUCUNE AUTRE GARANTIE AUTRE QUE CELLES MENTIONNÉES ET DÉCRITES CI-DESSUS, ET AUCUNE GARANTIE, EXPRESSE OU IMPLICITE, Y COMPRIS, MAIS SANS S'Y LIMITER, LES GARANTIES IMPLICITES DE QUALITÉ COMMERCIALE OU D'APTITUDE À UN USAGE PARTICULIER, NE DOIT S'APPLIQUER APRÈS EXPIRATION DES PÉRIODES DE GARANTIE EXPRESSES CONSIDÉRÉES CI-DESSUS, ET AUCUNE AUTRE GARANTIE EXPRESSE RELATIVE AU PRÉSENT PRODUIT, QU'ELLE SOIT DONNÉE PAR UNE TIERCE PERSONNE, UNE ENTREPRISE OU UNE PERSONNE MORALE NE POURRA ÊTRE CONSIDÉRÉE COMME UN ENGAGEMENT DE LA PART DE SAMSUNG. SAMSUNG N'ENDOSSE AUCUNE RESPONSABILITÉ EN CAS DE PERTE DE REVENU, DE MANQUE À GAGNER, D'INCAPACITÉ À RÉALISER DES ÉCONOMIES OU TOUT AUTRE AVANTAGE FINANCIER, OU EN CAS DE DOMMAGE RÉSULTANT DE L'UTILISATION OU D'UNE MAUVAISE UTILISATION DE CET APPAREIL OU D'UNE INCAPACITÉ À UTILISER CET APPAREIL, QUELLE QUE SOIT LA BASE LÉGALE SUR LAQUELLE REPOSE LA PLAINTÉ, ET MÊME SI SAMSUNG A ÉTÉ AVERTIE DE L'ÉVENTUALITÉ DE TELS DOMMAGES. TOUT TYPE DE COMPENSATION EXIGÉE APRÈS DE SAMSUNG NE SAURA EN AUCUN CAS EXCÉDER LE PRIX D'ACHAT DU PRODUIT VENDU PAR SAMSUNG ET À L'ORIGINE DES DOMMAGES ALLÉGUÉS. SANS LIMITER CE QUI SUIT, L'ACQUÉREUR PREND EN CHARGE TOUS LES RISQUES ET RESPONSABILITÉS CONCERNANT LA PERTE, LES DOMMAGES OU LES BLESSURES INFLIGÉES À L'ACQUÉREUR ET AUX BIENS DE CELUI-CI ET À TOUTE AUTRE PERSONNE ET BIENS RÉSULTANT DE L'UTILISATION, LA MAUVAISE UTILISATION DE L'APPAREIL ET L'INCAPACITÉ À UTILISER LE PRÉSENT APPAREIL VENDU PAR SAMSUNG ET QUI NE SERAIT PAS LIÉE DIRECTEMENT À UNE NÉGLIGENCE DE LA PART DE SAMSUNG. CETTE GARANTIE LIMITÉE N'EST VALABLE POUR PERSONNE D'AUTRE QUE L'ACHETEUR INITIAL DU PRODUIT, N'EST PAS TRANSFÉRABLE ET ÉNONCE VOTRE RECOURS EXCLUSIF.

Certaines provinces ou certains territoires peuvent autoriser ou non des limitations quant à la durée des garanties implicites, ou l'exclusion ou la limitation de dommages accessoires ou indirects ; il se peut par conséquent que les limitations et exclusions énoncées ci-dessus ne s'appliquent pas à votre cas. Cette garantie vous confère des droits légaux spécifiques, vous pouvez également avoir d'autres droits qui varient d'un État à l'autre.

Pour bénéficier d'un service d'assistance couvert par votre garantie, contactez SAMSUNG à l'adresse suivante :

1-800-SAMSUNG (726-7864) ou
www.samsung.com/ca/support (English)
www.samsung.com/ca_fr/support (French)



Scan this with your smartphone

Scannez le code QR* ou rendez-vous sur le site www.samsung.com/spsn pour voir nos vidéos et démonstrations en direct d'utilisation.

*Requiert l'installation d'un lecteur sur votre smartphone

Veillez noter que la garantie Samsung n'inclut pas les déplacements du service après-vente pour expliquer le fonctionnement de l'appareil, corriger une installation non correcte ou exécuter des travaux de nettoyage ou d'entretien réguliers.

UNE QUESTION ? UN COMMENTAIRE ?

PAYS	N° DE TÉLÉPHONE	SITE INTERNET
U.S.A Consumer Electronics	1-800-SAMSUNG (726-7864)	www.samsung.com/us/support
CANADA	1-800-SAMSUNG (726-7864)	www.samsung.com/ca/support (English) www.samsung.com/ca_fr/support (French)