

ME18H704SFS

SAMSUNG

Samsung Over-the-Range Microwave with Sensor Cooking

1.8 cu. ft. Capacity



Signature Features

Ceramic Enamel Interior

- Makes removing grease or oil effortless and protects against scratches from daily use.

Sensor Cook

- Whether it's the soup you just bought, last night's leftover pasta or a frozen dinner, Sensor Cook does the thinking for you so that you get optimally heated results every time.

LED Display

- Features a digital, blue LED Display, complementing any kitchen décor.

Simple Clean Filter

- Convenient, easy-to-access location is simple to eject with one touch and helps you remember when to clean the filter.

Available Colors



Stainless Steel (shown)



Fingerprint Resistant
Black Stainless Steel



White



Black



Ceramic Enamel Interior



Simple Clean Filter

Features

- Ceramic Enamel Interior
- Sensor Cook
- LED Display
- Simple Clean Filter
- 1.8 cu. ft. Oven Capacity
- 1000 Watts Cooking Power
- 400 CFM Ventilation System
- 10 Power Levels
- Two-Stage Programmable Cooking
- Auto Defrost/Sensor Reheat
- Auto Cook
- Chrome Rack

Convenience

- Clock (12hr/24hr) with Daylight Savings Time Adjustment
- Kitchen Timer
- End Signal
- Interior Light: Halogen (1)
- Cooktop Lighting (Halogen): High/Low/Off
- Vent Fan Control: On/Off/Delay Off
- Child Safety Lock
- Sound On/Off
- Eco Mode (Reduces Standby Power)

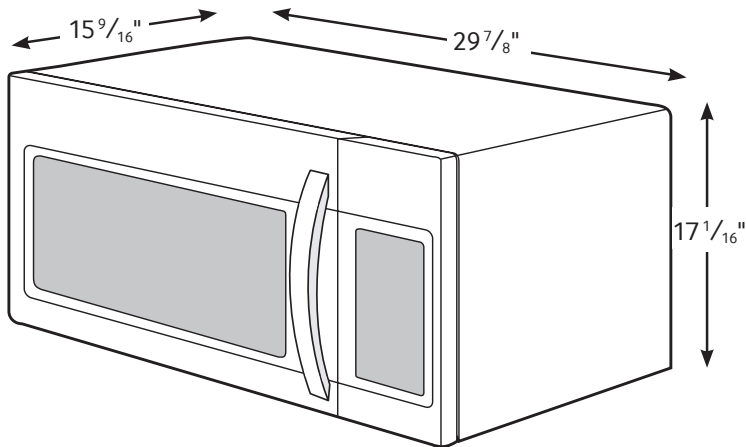
ME18H704SFS

SAMSUNG

Samsung Over-the-Range Microwave with Sensor Cooking

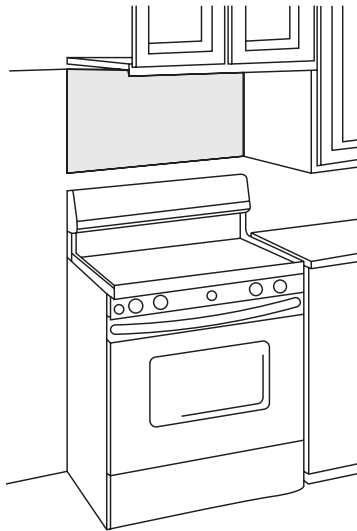
1.8 cu. ft. Capacity

Dimensions



Installing your Microwave

- This microwave oven is designed for adaptation to the following three types of ventilation:
 - A. Outside Top Exhaust (Vertical Duct)
 - B. Recirculating (Non-Vented Ductless)
 - C. Outside Back Exhaust (Horizontal Duct)
- The space between the cabinets must be 30" wide and free of obstructions.
- This microwave oven is for installation over ranges up to 36" wide.
- The microwave must be level. Use a level to make sure the cabinet bottom is level. If the cabinets have a front overhang only, with no back or side frame, install the mounting plate down the same distance as the front overhang depth. This will keep the microwave level.



Specifications

- Oven Cavity: 1.8 cu. ft.
- Power Output: 1000W
- Power Consumption: 1700W/14.5 A
- Power Source: 120V / 60 Hz
- Control Method: Digital (Membrane Touch)
- Display: LED
- Cooking Control: 10 Power Levels Including Defrost and Sensor Cook
- Cooking Timer: Digital, up to 99 Minutes, 99 Seconds
- Microwave Distribution System: Turntable + Stirrer
- Glass Turntable Diameter: 14 3/16"
- Chrome Rack (1)
- Vent Fan: 400 CFM
- Vent Fan Control: On/Off/Delay Off
- Cooktop Lighting: High/Low/Off
- Halogen Interior Light

Warranty

One (1) Year All Parts and Labor
Ten (10) Years Parts on Magnetron

Product Dimensions & Weight (WxHxD)

Cavity Dimensions: 20 13/16" x 10 13/16" x 14 9/16"
Outside Net Dimensions: 29 7/8" x 17 1/16" x 15 9/16"
Weight: 56.0 lbs. (Stainless)
54.9 lbs. (White, Black)

Shipping Dimensions & Weight (WxHxD)

Dimensions: 33 3/8" x 19 7/16" x 20 3/16"
Weight: 63.6 lbs. (Stainless)
62.4 lbs. (White, Black)

Color	Model #	UPC Code
Stainless Steel	ME18H704SFS	887276689197
Fingerprint Resistant Black Stainless Steel	MC18H704SFG	887276118215
White	MC18H704SFW	887276673974
Black	MC18H704SFB	887276690179

FOR EASIER INSTALLATION AND PERSONAL SAFETY, WE RECOMMEND THAT TWO PEOPLE INSTALL THIS MICROWAVE OVEN. IMPORTANT: Do not grip or use handle during installation.

NOTE: If your cabinet is metal, use the nylon grommet around the power cord hole to prevent cutting of the cord.

NOTE: We recommend using filler blocks if the cabinet front hangs below the cabinet bottom shelf.

IMPORTANT: If filler blocks are not used, case damage may occur from over tightening screws.

NOTE: When mounting the microwave oven, thread power cord through hole in bottom of top cabinet. Do not pinch cord or lift oven by pulling cord.

Actual color may vary. Design, specifications, and color availability are subject to change without notice. Non-metric weights and measurements are approximate.

©2018 Samsung Electronics America, Inc. 85 Challenger Road, Ridgefield Park, NJ 07660. Tel: 800-SAMSUNG. samsung.com. Samsung is a registered trademark of Samsung Electronics Co. Ltd.