



Quick Setup Guide

PN42A450P1D/ PN50A450P1D



1-800-SAMSUNG (7267864)

Samsung Electronics America, Inc.

105 Challenger Road Ridgefield Park, NJ 07660-0511

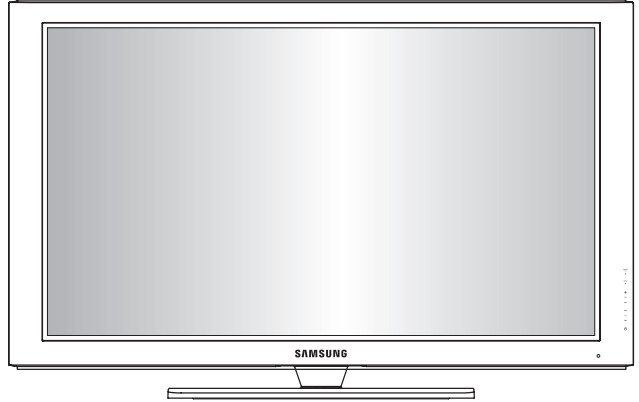
Samsung Electronics Canada Inc., Customer Service

55 Standish Court Mississauga, Ontario L5R 4B2

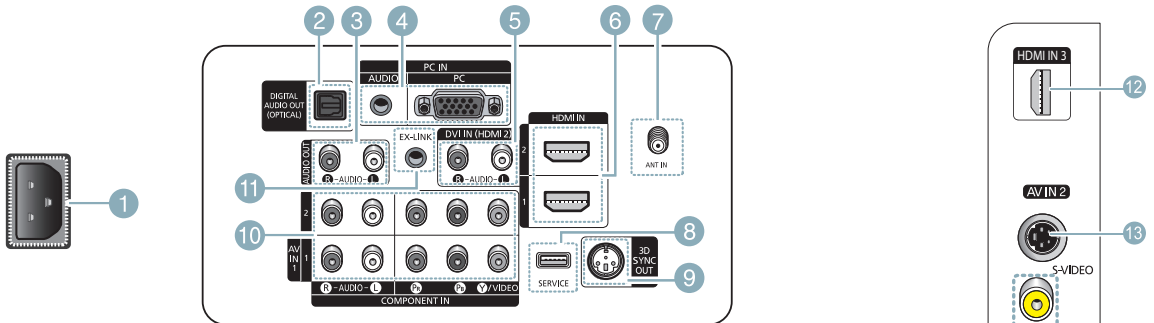
Call center hours of operation (Mon-Sun 9AM-12AM EST).

To register this product please visit

www.samsung.com/global/register



Rear & Side Panel Jacks



- 1 POWER IN
- 2 DIGITAL AUDIO OUT (OPTICAL)
- 3 AUDIO OUT (R/L)
- 4 PC IN[PC]/[AUDIO]
- 5 DVI IN (HDMI 2) (AUDIO-R/L)
- 6 HDMI IN 1, 2
- 7 ANT IN
- 8 SERVICE
- 9 3D SYNC OUT
- 10 COMPONENT IN 1, 2 / AV IN 1
- 11 EX-LINK
- 12 HDMI IN 3
- 13 S-VIDEO (AV IN 2)
- 14 AV IN 2
- 15 HEADPHONE

Video Input Performance Comparison


	HDMI/DVI	Best
	PC/COMPONENT	Better
	S-VIDEO	Good
	VIDEO	Normal

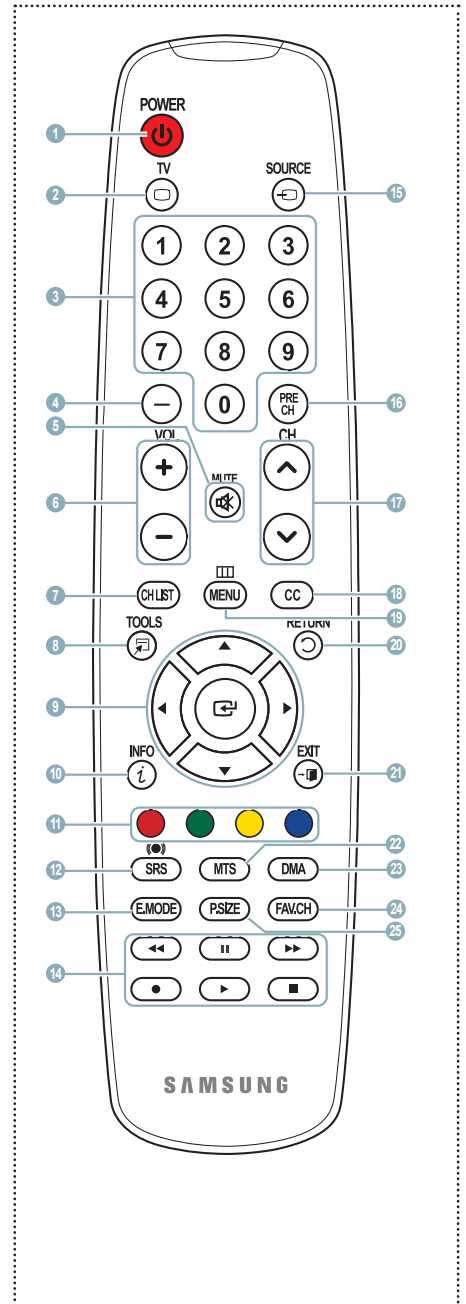
Audio Output Performance Comparison

	OPTICAL (Digital)	Best
	AUDIO (Analog)	Normal

Remote Control Buttons

You can use the remote control up to a distance of about 23 feet from the TV.

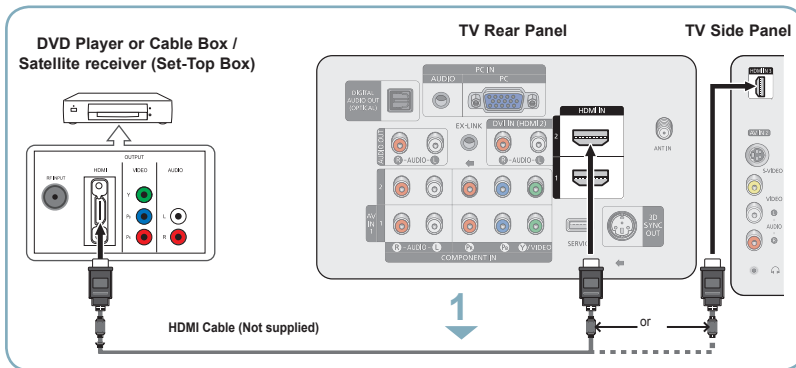
- 1 **POWER**
Turns the TV on and off.
- 2 **TV**
Selects the TV mode directly.
- 3 **NUMERIC BUTTONS**
Press to directly select a channel.
- 4 **-**
Press to select additional channels (digital and analog) being broadcast by the same station. For example, to select channel "54-3", press "54", then press "-" and "3".
- 5 **MUTE**
Press to temporarily cut off the sound.
- 6 **+ VOL -**
Press to increase or decrease the volume.
- 7 **CH LIST**
Used to display Channel Lists on the screen.
- 8 **TOOLS**
Use to quickly select frequently used functions.
- 9 **UP ▲ / DOWN ▼ / LEFT ◀ / RIGHT ▶ / ENTER ↵**
Use to select on-screen menu items and change menu values.
- 10 **INFO**
Press to display information on the TV screen.
- 11 **COLOR BUTTONS**
Use these buttons in the Channel list.
- 12 **SRS**
Selects SRS TruSurround XT mode.
- 13 **E.MODE**
Press to select the preset display and sound modes for sports, cinema and games.
- 14 Use these buttons in the DMA and Anynet+ modes.
(): This remote can be used to control recording on Samsung recorders with the Anynet+ feature)
- 15 **SOURCE**
Press to display all of the available video sources.
- 16 **PRE-CH**
Tunes to the previous channel.
- 17 **◀ CH ▶**
Press to change channels.
- 18 **CC**
Controls the caption decoder.
- 19 **MENU**
Displays the main on-screen menu.
- 20 **RETURN**
Returns to the previous menu.
- 21 **EXIT**
Press to exit the menu.
- 22 **MTS**
Press to choose stereo, mono or Separate Audio Program (SAP broadcast).
- 23 **DMA (Digital Media Adapter)**
Use this when connecting a Samsung DMA device through an HDMI interface and switching to DMA mode.
For more information on the operating procedures, refer to the user manual of the DMA.
➤ This button is available when "Anynet(HDMI-CEC) is "On". (see page 65 of the owner's manual)
- 24 **FAV.CH**
Press to switch to your favorite channels.
- 25 **P.SIZE**
Press to change the screen size.



➤ The performance of the remote control may be affected by bright light..

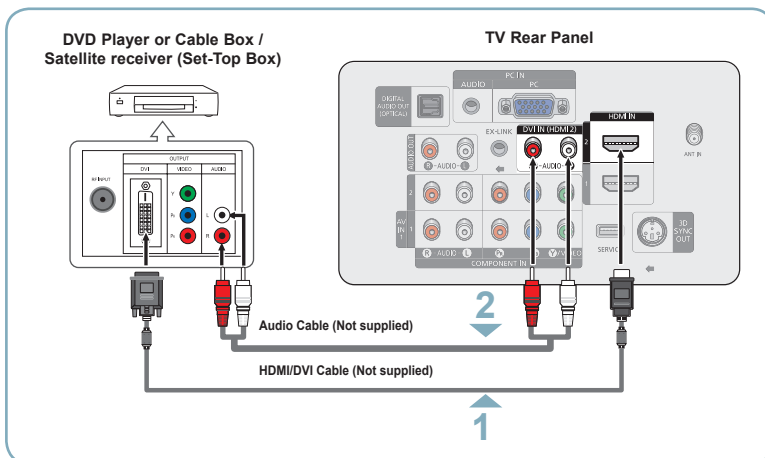
Connecting a DVD Player or Cable Box / Satellite receiver (Set-Top Box) via HDMI

Connecting to HDMI (High Definition Multimedia Interface)



- 1 Connect an HDMI Cable between the HDMI IN(1, 2 or 3) jack on the TV and the HDMI jack on the DVD Player or Cable Box / Satellite receiver (Set-Top Box).
 - 2 Press the **SOURCE** button on the remote control until you see the DVD Player or Cable Box/Satellite receiver (Set- Top Box) signal (see "To Select the Source" on page 10)
- Each DVD Player or Cable Box / Satellite receiver (Set-Top Box) has a different back panel configuration.
 - When connecting a DVD Player or Cable Box / Satellite receiver (Set- Top Box), match the color of the connection terminal to the cable.

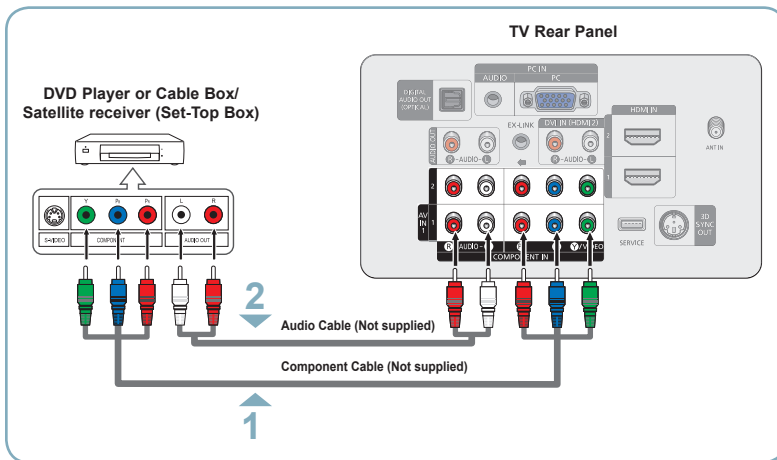
Connecting to DVI (Digital Visual Interface)



- 1 Connect a HDMI/DVI Cable or DVI-HDMI Adapter between the HDMI IN 2 jack on the TV and the DVI jack on the DVD Player or Cable Box/ Satellite receiver (Set- Top Box).
 - 2 Connect Audio Cables between the DVI IN (HDMI 2) [R-AUDIO-L] jack on the TV and the AUDIO OUT jacks on the DVD Player or Cable Box/Satellite receiver (Set-Top Box).
 - 3 Press the **SOURCE** button on the remote control until you see the DVD Player or Cable Box/Satellite receiver (Set- Top Box) signal (see "To Select the Source" on page 10)
- When connecting a DVD Player or Cable Box / Satellite receiver (Set- Top Box), match the color of the connection terminal to the cable.
 - When using an HDMI / DVI cable connection, you must use the HDMI IN 2 jack.
 - Each DVD Player or Cable Box / Satellite receiver (Set-Top Box) has a different back panel configuration.

Connecting a DVD Player or Cable Box / Satellite receiver (Set-Top Box) via Component cables

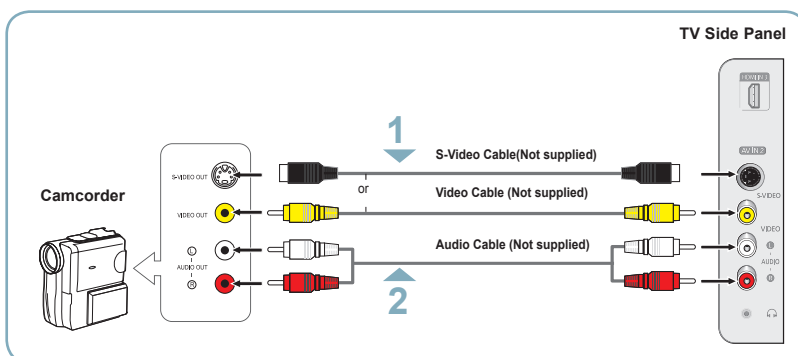
Connecting to Y, Pb, Pr



- 1 Connect Component Cables between the COMPONENT IN (1 or 2) [Y, Pb, Pr] jacks on the TV and the COMPONENT [Y, Pb, Pr] jacks on the DVD Player or Cable Box / Satellite receiver (Set-Top Box).
- 2 Connect Audio Cables between the COMPONENT IN (1 or 2) [R-AUDIO-L] jacks on the TV and the AUDIO OUT jacks on the DVD Player or Cable Box / Satellite receiver (Set-Top Box).
- 3 Press the **SOURCE** button on the remote control until you see the DVD Player or Cable Box / Satellite receiver (Set-Top Box) signal (see "To Select the Source" on page 10)

- Component video separates the video into Y (Luminance (brightness)), Pb (Blue) and Pr (Red) for enhanced video quality. Be sure to match the component video and audio connections. For example, if connecting the video cable to COMPONENT IN 1, connect the audio cable to COMPONENT IN 1 also.
- Each DVD Player or Cable Box / Satellite receiver (Set-Top Box) has a different back panel configuration.
- When connecting a DVD Player or Cable Box / Satellite receiver (Set-Top Box), match the color of the connection terminal to the cable.

Connecting a Camcorder

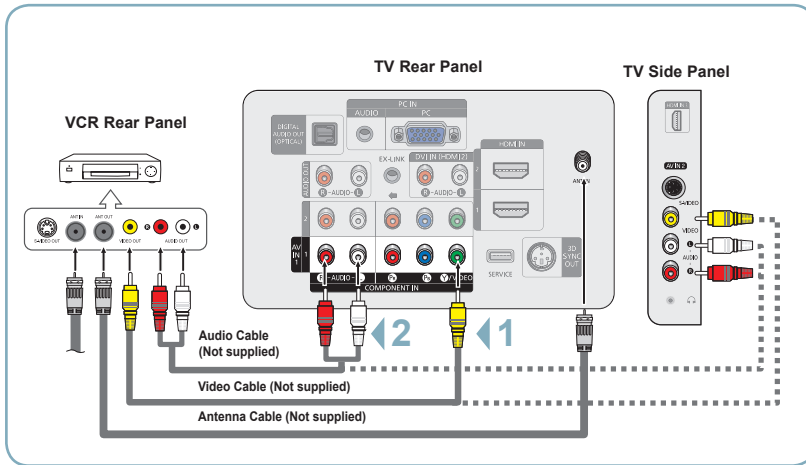


- 1 Connect a Video Cable (or S-Video Cable) between the AV IN 2 [VIDEO] (or S-VIDEO) jack on the TV and the VIDEO OUT jack on the Camcorder.
- 2 Connect Audio Cables between the AV IN 2 [L-AUDIO-R] jacks on the TV and the AUDIO OUT jacks on the Camcorder.
- 3 Press the **SOURCE** button on the remote control until you see the Camcorder signal (see "To Select the Source" on page 10)

- Each Camcorder has a different back panel configuration.
- When connecting a Camcorder, match the color of the connection terminal to the cable.

Connecting a VCR

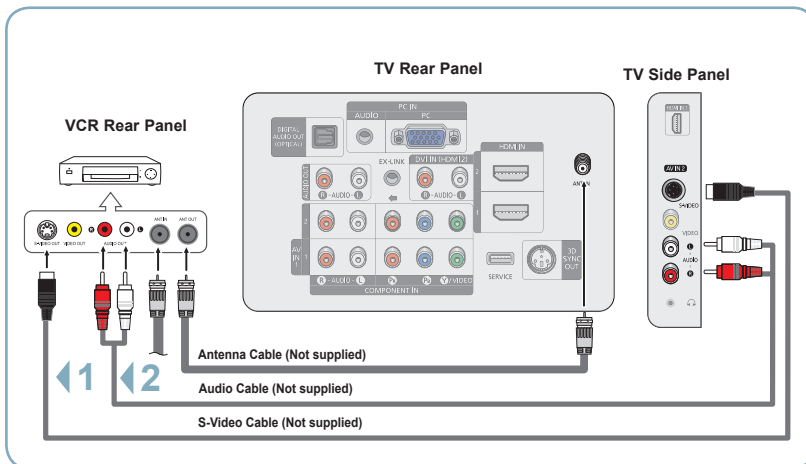
Connecting to Video



- 1 Unplug the cable or antenna from the back of the TV.
- 2 Connect the cable or antenna to the ANT IN terminal on the back of the VCR.
- 3 Connect an Antenna Cable between the ANT OUT terminal on the VCR and the ANT IN terminal on the TV.
- 4 Connect a Video Cable between the VIDEO OUT jack on the VCR and the AV IN 1 [Y/VIDEO] or AV IN 2 [VIDEO] jack on the TV.
- 5 Connect Audio cables between the AV IN 1 [R-AUDIO-L] jacks on the TV and the AUDIO OUT jacks on the VCR.
- 6 Press the **SOURCE** button on the remote control until you see the VCR signal (see "To Select the Source" on page 10).

- When connecting a VCR, match the color of the connection terminal to the cable.
- If you have a "mono" (non-stereo) VCR, use a Y-connector (not supplied) to hook up to the right and left audio input jacks of the TV. If your VCR is stereo, you must connect two cables.
- Each VCR has a different back panel configuration.
- When connecting to AV IN 1, the color of the AV IN 1 [Y/VIDEO] jack (Green) does not match the color of the video cable (Yellow).

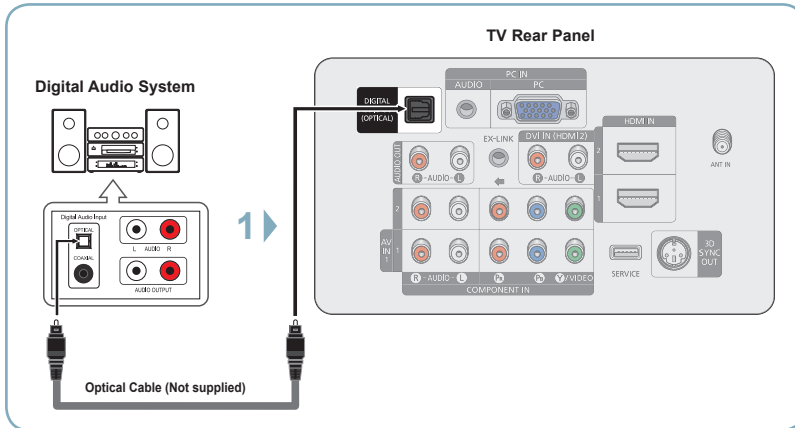
Connecting to S-Video



- 1 To begin, follow steps 1–3 in the previous section to connect the antenna or cable to your VCR and your TV.
- 2 Connect a S-Video cable between the [S-VIDEO] jack on the TV and the S-VIDEO OUT jack on the VCR.
- 3 Connect Audio cables between the AV IN 2 [R-AUDIO-L] jacks on the TV and the AUDIO OUT jacks on the VCR.
- 4 Press the **SOURCE** button on the remote control until you see the VCR signal (see "To Select the Source" on page 10).

- When connecting a VCR, match the color of the connection terminal to the cable.
- Each VCR has a different back panel configuration

Connecting a Digital Audio System

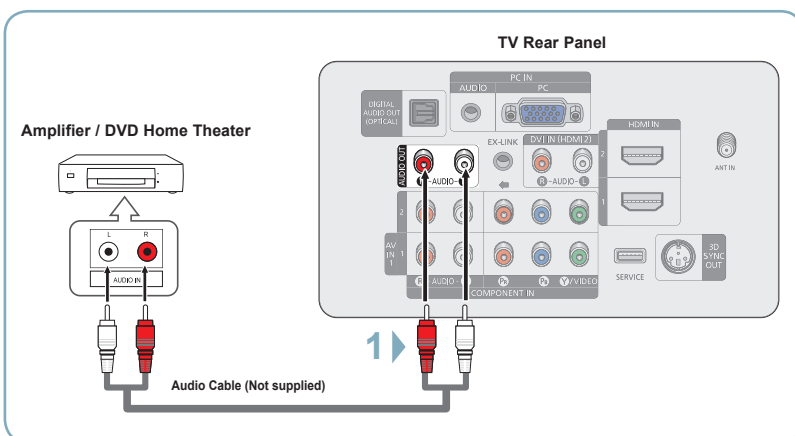


- 1 Connect an Optical Cable between the DIGITAL AUDIO OUT (OPTICAL) jacks on the TV and the Digital Audio Input (OPTICAL) jacks on the Digital Audio System.

When a Digital Audio System is connected to the DIGITAL AUDIO OUT (OPTICAL) terminal:
Decrease the volume of the TV, and adjust the volume level with the system's volume control.

- What is OPTICAL?
 - Converts the electric signal into an optical light signal, and transmits it through glass fibers. S/PDIF is a transmission system of digital audio in the form of a light wave that uses a glass conductor.
- 5.1CH audio is possible when the TV is connected to an external device supporting 5.1CH.
- Each external input source device has a different back panel configuration.
- When the COMPONENT IN or HDMI IN jacks are connected, the Optical jack on the TV outputs 2 channel audio only. If you want to hear 5.1 channel audio, connect the DIGITAL AUDIO OUT (OPTICAL) jack on the DVD player or Cable/Satellite Box directly to an Amplifier or Home Theater, not the TV.

Connecting an Analog Amplifier / DVD Home Theater



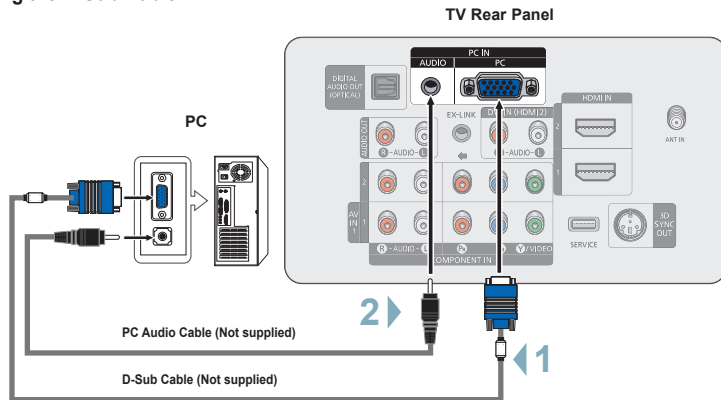
- 1 Connect Audio Cables between the AUDIO OUT [R-AUDIO-L] on the TV and AUDIO IN [L-AUDIO-R] on the Amplifier / DVD Home Theater.

When an audio amplifier is connected to the AUDIO OUT [R-AUDIO-L] jacks terminals: Decrease the volume of the TV, and adjust the volume level with the Amplifier's volume control.

- Each Amplifier / DVD Home Theater has a different back panel configuration.
- When connecting an Amplifier / DVD Home Theater, match the color of the connection terminal to the cable.

Connecting a PC

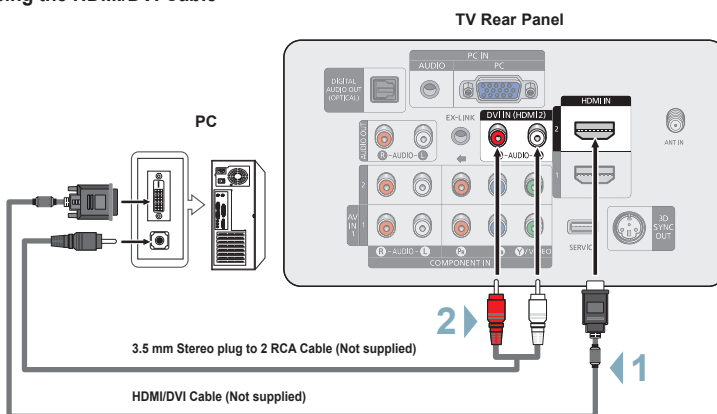
Using the D-Sub Cable



Using the D-Sub Cable

- 1 Connect a D-Sub Cable between PC IN [PC] jack on the TV and the PC output jack on your computer.
- 2 Connect a PC Audio Cable between PC IN [AUDIO] jack on the TV and the Audio Out jack of the sound card on your computer.
- 3 Press the **SOURCE** button on the remote control until you see the PC signal (see "To Select the Source" on page 10)

Using the HDMI/DVI Cable



Using the HDMI/DVI Cable

- 1 Connect a HDMI/DVI cable between the HDMI IN 2 jack on the TV and the PC output jack on your computer.
- 2 Connect a 3.5mm Stereo/2RCA Cable cable between the DVI IN (HDMI 2) [R-AUDIO-L] jack on the TV and the Audio Out jack of the sound card on your computer.
- 3 Press the **SOURCE** button on the remote control until you see the PC signal (see "To Select the Source" on page 10)

- Each PC has a different back panel configuration.
- When connecting a PC, match the color of the connection terminal to the cable.
- When using an HDMI/DVI cable connection, you must use the HDMI IN 2 terminal.

Turning the TV On and Off

Press the **POWER** button on the remote control.
You can also use the **POWER** button on the TV.

➤ It may take a while before you see a full picture.

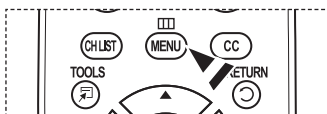
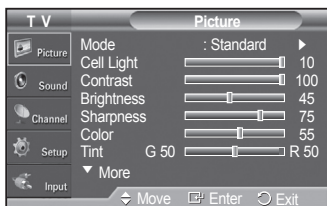
Viewing the Menu

1 With the power on, press the **MENU** button.
The main menu appears on the screen. Its left side has five icons:
Picture, Sound, Channel, Setup, Input.

2 Press the **▲** or **▼** button to select one of the icons.
Then press the **ENTER** button to access the icon's sub-menu.

3 Press the **EXIT** button to exit.

➤ It takes about one minute until the on-screen menu disappears.



Memorizing the Channels

Your TV can memorize and store all of the available channels for both "off-air" (air) and cable channels. After the available channels are memorized, use the CH **◀** or CH **▶** button to scan through the channels. This eliminates the need to change channels by entering the channel digits. There are three steps for memorizing channels: selecting a broadcast source, memorizing the channels (automatic) and adding and deleting channels (Channel Lists).

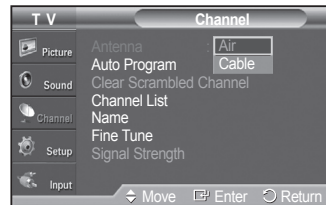
Selecting the Video Signal Source

Before your television can begin memorizing the available channels, you must specify the type of signal source that is connected to the TV (i.e. an Air or a Cable system).

1 Press the **MENU** button.
Press the **▲** or **▼** button to select **Channel**, then press the **ENTER** button.



2 Press the **ENTER** button to select **Antenna**.
Press the **▲** or **▼** button to select **Air** or **Cable**, then press the **ENTER** button.
Press the **EXIT** button to exit.



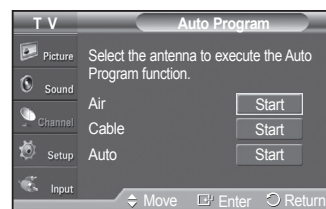
Storing Channels in Memory (Automatic Method)

1 Press the **MENU** button to display the menu.
Press the **▲** or **▼** button to select **Channel**, then press the **ENTER** button.

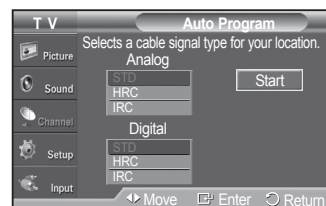


2 Press the **▲** or **▼** button to select **Auto Program**, then press the **ENTER** button.

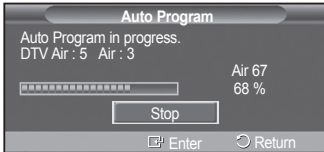
- **Air:** Air antenna signal.
- **Cable:** Cable antenna signal.
- **Auto:** Air and Cable antenna signals.



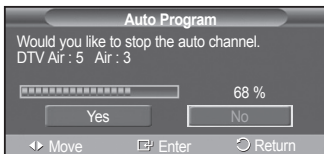
3 Press the **▲** or **▼** button to select the antenna connection, then press the **ENTER** button.



- 4** When selecting the Cable TV system: Press the **ENTER** button to start the auto program. Press the **▲** or **▼** to select the correct analog signal cable system source from among STD, HRC, and IRC, then press the **ENTER** button. If you have Digital cable TV, select the cable system signal source for both Analog and Digital.
- STD, HRC, and IRC identify various types of cable TV systems. Contact your local cable company to identify the type of cable system that exists in your particular area. At this point the signal source has been selected.



- 5** The TV begins memorizing all available stations.
- If you want to stop Auto Programming, press the **ENTER** button. The **Would you like to stop the auto channel.** message will be displayed. Select **Yes** by pressing the **◀** or **▶** button. Press the **EXIT** button to exit.



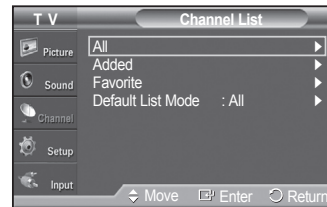
Viewing the Channel Lists

You can display a list of all channels, added channels or your favorite channels.

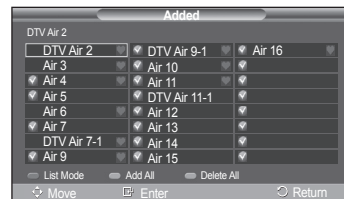
- 1** Press the **MENU** button to display the menu. Press the **▲** or **▼** button to select **Channel**, then press the **ENTER** button.



- 2** Press the **▲** or **▼** button to select **Channel List**, then press the **ENTER** button.



- 3** Press the **▲** or **▼** button to select **All**, **Added** or **Favorite**, then press the **ENTER** button. To toggle between your all channels, add channels, or favorite channels, use the red button on the remote control.
- **Red button:** Press repeatedly to select All, Added, or Favorite.
 - **Green button:** Press to add all channels deleted.
 - **Yellow button:** Press to delete all channels memorized.



Picture Control

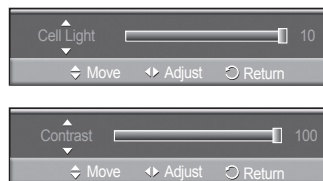
Changing the Picture Standard

You can select the type of picture which best corresponds to your viewing requirements.

- 1 Press the **MENU** button to display the menu. Press the **ENTER** button to select **Picture**.
- 2 Press the **ENTER** button to select **Mode**. Press the **▲** or **▼** button to select **Dynamic**, **Standard**, or **Movie**. Press the **ENTER** button.
 - **Dynamic**: Select the picture for high-definition in a bright room.
 - **Standard**: Select the picture for the optimum display in a normal environment.
 - **Movie**: Select the picture for viewing movies in a dark room.



- 3 Press the **◀** or **▶** button to decrease or increase the value of a particular item. Press the **ENTER** button. Press the **EXIT** button to exit.

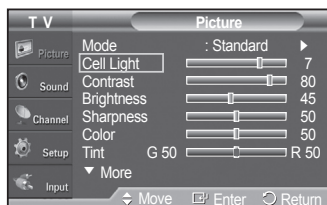


- When you make changes to Cell Light, Contrast, Brightness, Sharpness, Color, or Tint(G/R) the OSD will be adjusted accordingly.
- When in PC mode, Tint(G/R), Sharpness and Color are not available.
- Each adjusted setting will be stored separately according to its input mode.

Customizing the Picture Settings

Your television has several setting options that allow you to control the picture quality.

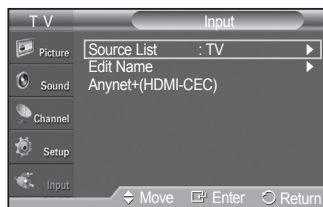
- 1 To select the desired picture mode, follow the "Changing the Picture Standard" instructions number 1 to 2.
- 2 Press the **▲** or **▼** button to select **Cell Light**, **Contrast**, **Brightness**, **Sharpness**, **Color**, or **Tint**, then press the **ENTER** button.
 - **Cell Light**: Selects the brightness of PDP Cell Light.
 - **Contrast**: Adjusts the contrast level of the picture.
 - **Brightness**: Adjusts the brightness level of the picture.
 - **Sharpness**: Adjusts the edge definition of the picture.
 - **Color**: Adjusts color saturation of the picture.
 - **Tint**: Adjusts the color tint of the picture by compensating the red and green color.



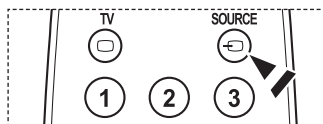
To Select the Source

Use to select TV or other external input sources such as DVD players or Set-top/Cable boxes connected to the TV. Use to select the input source of your choice.

- 1 Press the **MENU** button. Press the **▲** or **▼** button to select **Input**, then press the **ENTER** button.



- 2 Press the **ENTER** button again to select **Source List**. Press the **▲** or **▼** button to select signal source, then press the **ENTER** button.



- Available signal sources: **TV, AV1, AV2, S-Video, Component1, Component2, PC, HDMI1, HDMI2, HDMI3**.
- You can choose only those external devices that are connected to the TV.

Troubleshooting

If the TV seems to have a problem, first try this list of possible problems and solutions. If none of these troubleshooting tips apply, call your nearest Samsung service center.

Problem	Possible Solution
Poor picture quality.	<ul style="list-style-type: none"> - Try another channel. - Adjust the antenna. - Check all wire connections.
Poor sound quality.	<ul style="list-style-type: none"> - Try another channel. - Adjust the antenna.
No picture or sound.	<ul style="list-style-type: none"> - Try another channel. - Press the SOURCE button. - Make sure the TV is plugged in. - Check the antenna connections. - Make sure the MUTE button is off.
No sound or sound is too low at maximum volume.	First, check the volume of units connected to your TV (digital broadcasting receiver, DVD, cable broadcasting receiver, VCR, etc.). Then, adjust the TV volume accordingly.
Picture rolls vertically.	Check all connections.
The TV operates erratically.	Unplug the TV for 30 seconds, then try operating it again.
The TV won't turn on.	Make sure the wall outlet is working.
Remote control malfunctions	<ul style="list-style-type: none"> - Replace the remote control batteries. - Clean the upper edge of the remote control(transmission window). - Check the battery terminals. - Make sure the remote has batteries. - Check that the "+" and "-" ends of the batteries are inserted correctly.
Digital broadcasting screen problem.	Please check the digital signal strength and input antenna.
The image is too light or too dark.	<ul style="list-style-type: none"> - Adjust the Brightness and Contrast. - Adjust the Fine tuning.
The image is too large or too small.	Adjust the Size settings.
The visual qualities of digital channels vary.	<p>The visual qualities of digital channels may vary depending on the original production method(analog or digital).</p> <ul style="list-style-type: none"> - If the original production method is digital: High visual quality. - If the original production method is analog: The digital program displayed on the screen is originally an analog program which has been converted to digital. <p>The visual quality is of an SD(Standard Definition) grade.</p>
Screen is black and power indicator light blinks steadily.	<p>On your computer check; Power and Signal Cable. The TV is using its power management system. Move the computer's mouse or press any key on the keyboard.</p> <p>On your equipment check (STB, DVD, etc) ; Power and Signal Cable. The TV is using its power management system. Press the Source button on the panel or remote control. Turn the TV off and on.</p>
Although the TV caption shows HD, the visual quality is not satisfactory.	The HD(High Definition) caption that appears when switching channels or when pressing the Information button on the remote control means the selected channel is a digital channel. If the broadcasting station converts an analog signal into digital and transmits the signal, the visual quality may not be perfect.
A distorted picture appears in the corner of the screen.	If Just Scan is selected in some external devices, a distorted picture may appear in the corner of the screen. This symptom is caused by external devices, not the TV.
A Strange sound is heard.	This is caused by minor systems operation and is not a defect.
The "Resets all settings to the default values" message appears.	This appears when you press and hold the EXIT button for a while. The product settings are reset to the factory defaults.

➤ This Plasma panel uses a panel consisting of sub pixels (2,359,296 (42inch)/3,147,264 (50inch)) which require sophisticated technology to produce. However, there may be few bright or dark pixels on the screen. These pixels will have no impact on the performance of the product.



SAMSUNG

Guide de configuration rapide

PN42A450P1D/ PN50A450P1D



1-800-SAMSUNG (7267864)

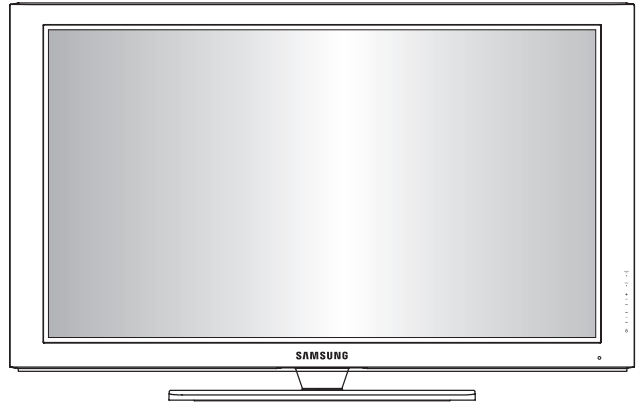
Samsung Electronics America, Inc.

105 Challenger Road Ridgefield Park (New Jersey)
07660-0511

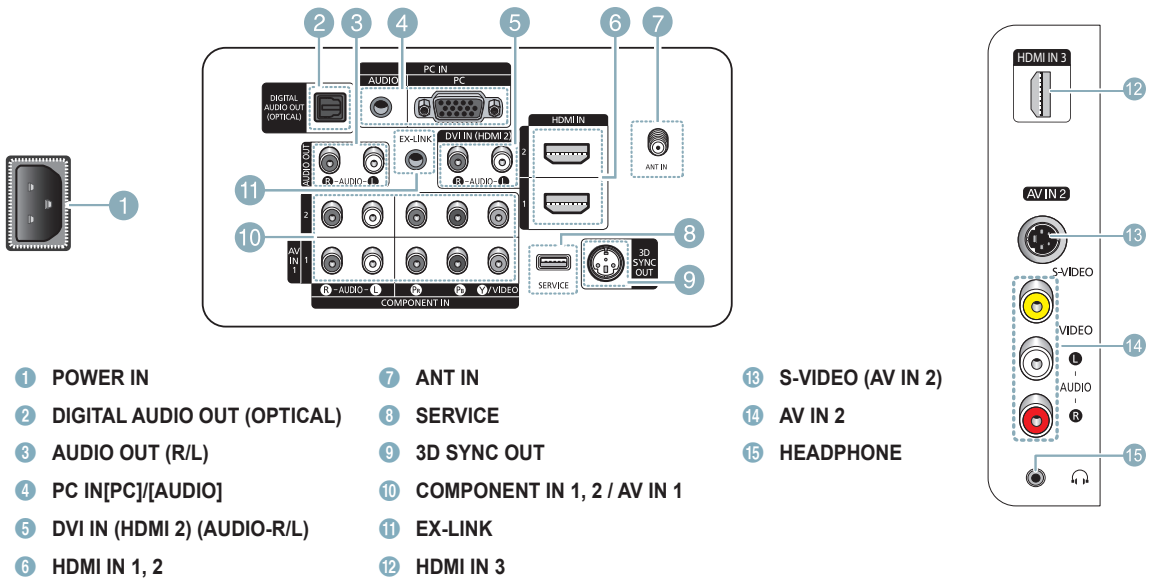
Samsung Electronics Canada Inc., Customer Service
55 Standish Court Mississauga (Ontario) L5R 4B2

Centre d'appel – heures de service (du lundi au dimanche,
de 9 h à 12 h (HNE))

www.samsung.com/global/register



Prises des panneaux latéraux



1 POWER IN

2 DIGITAL AUDIO OUT (OPTICAL)

3 AUDIO OUT (R/L)

4 PC IN[PC]/[AUDIO]

5 DVI IN (HDMI 2) (AUDIO-R/L)

6 HDMI IN 1, 2

7 ANT IN

8 SERVICE

9 3D SYNC OUT

10 COMPONENT IN 1, 2 / AV IN 1

11 EX-LINK

12 HDMI IN 3

13 S-VIDEO (AV IN 2)

14 AV IN 2

15 HEADPHONE

Entrée vidéo – tableau comparatif des Performances


	HDMI/DVI	La meilleure
	PC/COMPONENT	Excellente
	S-VIDEO	Bonne
	VIDEO	Normale

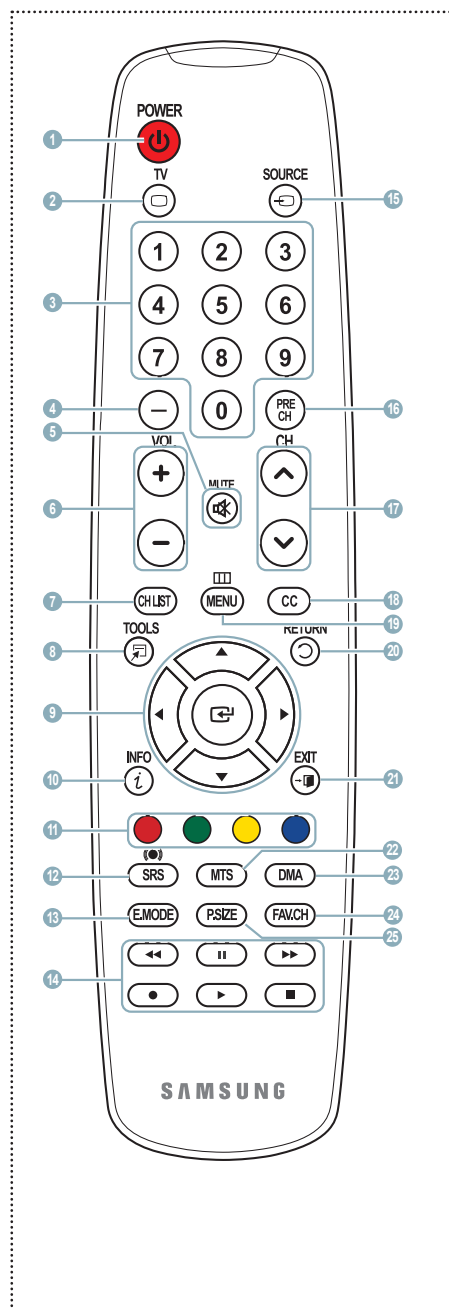
Sortie audio – tableau comparatif des performances

	OPTICAL (Digital)	La meilleure
	AUDIO (Analog)	Normale

Touches de la télécommande

La télécommande peut être utilisée jusqu'à une distance d'environ 7 mètres (23 pieds) du téléviseur.

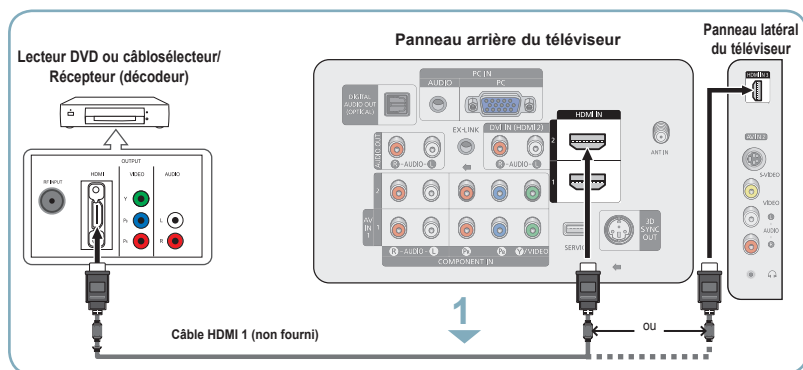
- 1 **POWER**
Permet d'allumer et d'éteindre le téléviseur.
- 2 **TV**
Selects the TV mode directly.
- 3 **TOUCHES NUMÉRIQUES**
Sélectionner directement un canal.
- 4 **-**
Appuyer sur cette touche pour choisir des canaux supplémentaires (numériques et analogiques) diffusés par la même station. Par exemple, pour choisir le canal "54-3", appuyer sur "54", puis sur - et sur "-" et "3".
- 5 **MUTE**
Couper le son temporairement.
- 6 **+ VOL -**
Augmenter ou diminuer le volume.
- 7 **CH LIST**
Afficher la liste des canaux à l'écran.
- 8 **TOOLS**
Permettent de sélectionner les fonctions fréquemment utilisées.
- 9 **HAUT ▲/BAS ▼/GAUCHE ◀/ DROITE ▶/ENTER**
Pour sélectionner des options de menu et modifier leur valeur.
- 10 **INFO**
Appuyer sur cette touche pour afficher de l'information à l'écran.
- 11 **TOUCHES DE COULEUR**
Utiliser ces touches à partir de la liste des canaux.
- 12 **SRS**
Sélectionner le mode SRS TruSurround XT.
- 13 **E.MODE**
Appuyer pour sélectionner l'affichage préréglé et les modes sonores pour les sports, le cinéma et les jeux.
- 14 Utiliser ces touches pour les modes DMA et Anynet+.
(): Cette télécommande peut servir à commander l'enregistrement des enregistreurs DVD Samsung avec la fonction Anynet+.)
- 15 **SOURCE**
Appuyer sur cette touche pour afficher toutes les sources vidéo accessibles.
- 16 **PRE-CH**
Syntoniser le canal précédent.
- 17 **◀ CH ▶**
Permet de changer le canal.
- 18 **CC**
Permet de commander la fonction de sous-titrage.
- 19 **MENU**
Afficher le menu principal à l'écran.
- 20 **RETURN**
Retourner au menu précédent.
- 21 **EXIT**
Appuyer sur cette touche pour quitter le menu.
- 22 **MTS**
Pour sélectionner le son stéréo, mono ou SAP (Separate Audio Program).
- 23 **DMA (Digital Media Adapter)**
Utiliser cette fonction lorsqu'un appareil DMA de Samsung est branché à une interface HDMI ou que le téléviseur est en mode DMA.
Pour plus de renseignements sur les procédures d'utilisation, se reporter au guide de l'utilisateur du dispositif DMA.
➤ Cette touche est accessible lorsque "Anynet+(HDMI-CEC)" est "activé". (Voir page 65)
- 24 **FAV.CH**
Appuyer sur cette touche pour passer aux canaux favoris.
- 25 **P.SIZE**
Pour changer de format d'affichage.



➤ Un éclairage ambiant intense peut nuire à l'efficacité de la télécommande.

Branchement d'un lecteur DVD, câblosélecteur ou récepteur satellite à l'aide d'un câble HDMI

Raccordement aux prises HDMI (High Definition Multimedia Interface)



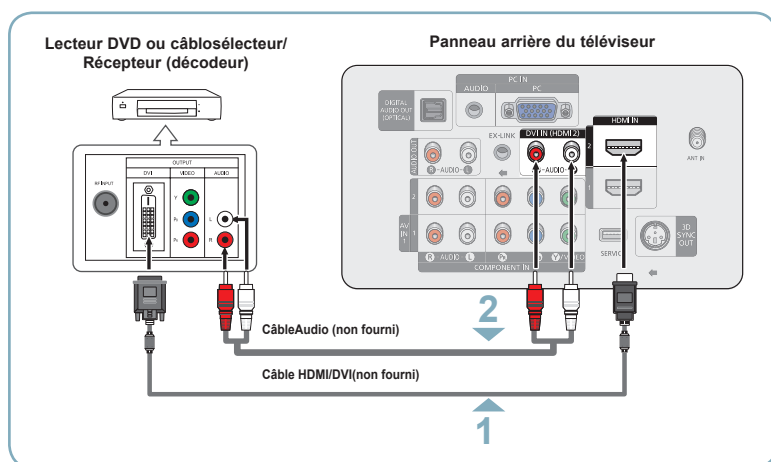
1 Brancher un câble HDMI entre la prise d'entrée HDMI IN (1, 2 ou 3) du téléviseur et la prise HDMI du lecteur DVD ou du câblosélecteur ou récepteur (décodeur).

2 Appuyer sur la touche **SOURCE**. (voir page 10 "Pour choisir la source").

➤ La configuration du panneau arrière de chaque lecteur DVD ou câblosélecteur ou récepteur (décodeur) est différente.

➤ Au moment de brancher un lecteur DVD ou câblosélecteur ou récepteur (décodeur), les couleurs du câble et de la borne de raccordement doivent correspondre.

Connexion à l'entrée d'interface vidéo numérique (DVI)



1 Brancher un câble de raccordement HDMI/DVI ou un adaptateur DVI-HDMI entre la prise d'entrée HDMI IN 2 du téléviseur et la prise DVI du lecteur DVD, câblosélecteur ou récepteur (décodeur).

2 Brancher les câbles audio entre la prise d'entrée DVI IN (HDMI 2) [R-AUDIO-L] du téléviseur et les prises de sortie AUDIO OUT du lecteur DVD ou du câblosélecteur ou récepteur (décodeur).

3 Appuyer sur la touche **SOURCE**. (voir page 10 "Pour choisir la source").

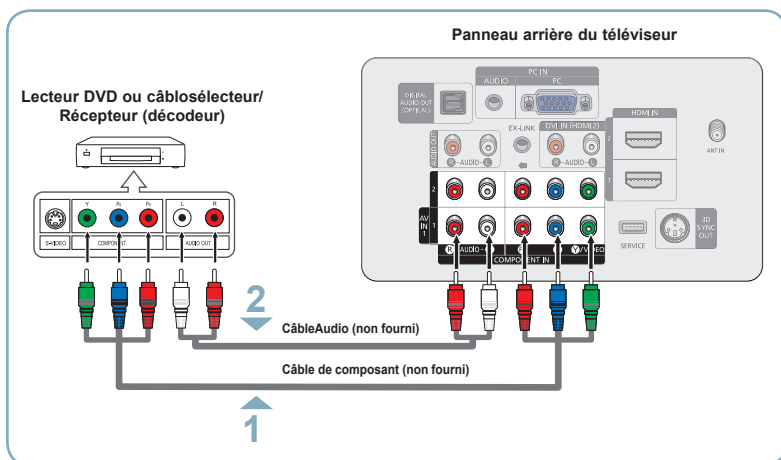
➤ Au moment de brancher un lecteur DVD ou câblosélecteur ou récepteur (décodeur), les couleurs du câble et de la borne de raccordement doivent correspondre.

➤ Dans le cas d'une connexion de câble HDMI/DVI, il faut utiliser la prise d'entrée HDMI IN 2.

➤ La configuration du panneau arrière de chaque lecteur DVD ou câblosélecteur ou récepteur (décodeur) est différente.

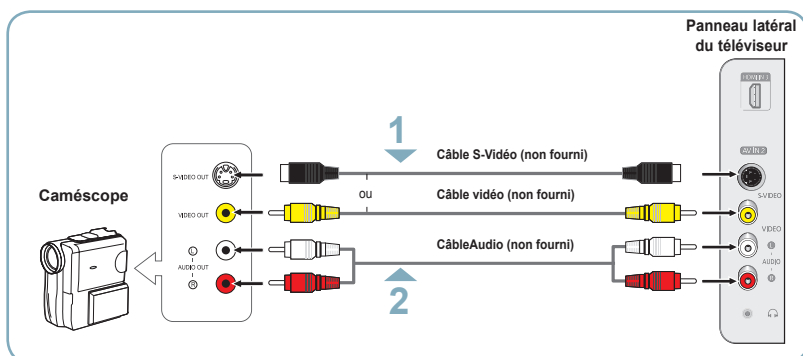
Branchement d'un lecteur DVD, câblosélecteur ou récepteur satellite

Raccordement aux entrées Y, Pb, Pr



- 1 Brancher un câble de composant entre les prises d'entrée COMPONENT IN (1 ou 2) [Y, Pb, Pr] du téléviseur et les prises COMPONENT [Y, Pb, Pr] du lecteur DVD ou du câblosélecteur ou récepteur (décodeur).
 - 2 Brancher les câbles audio entre la prise d'entrée COMPONENT IN (1 ou 2) [R-AUDIO-L] du téléviseur et les prises de sortie AUDIO OUT du lecteur DVD ou du câblosélecteur ou récepteur (décodeur)
 - 3 Appuyer sur la touche **SOURCE**. (voir page 10 "Pour choisir la source").
- Le composant vidéo sépare le vidéo en Y (luminance (luminosité)), Pb (bleu) et Pr (rouge) pour une qualité d'image supérieure. S'assurer que les branchements audio et vidéo correspondent. Par exemple, si le câble vidéo est branché à la prise d'entrée COMPONENT IN 1, le câble audio doit être branché à la prise d'entrée COMPONENT IN 1.
 - La configuration du panneau arrière de chaque lecteur DVD ou récepteur est différente.
 - Au moment de brancher un lecteur DVD ou câblosélecteur ou récepteur (décodeur), les couleurs du câble et de la borne de raccordement doivent correspondre.

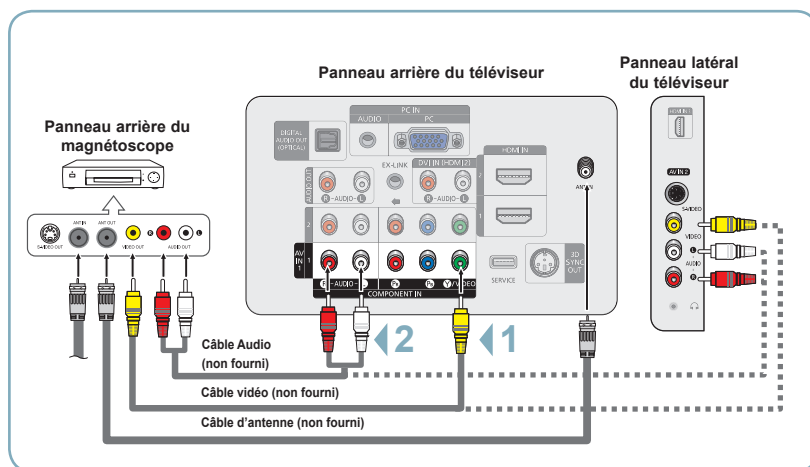
Branchement d'un caméscope



- 1 Raccorder un câble vidéo (ou S-Vidéo) entre la prise d'entrée vidéo AV IN 2 [VIDEO] (ou S-VIDEO) du téléviseur et la prise de sortie VIDEO OUT du caméscope.
 - 2 Raccorder les câbles audio entre les prises d'entrée AV IN 2 [L-AUDIO-R] du téléviseur et les prises de sortie AUDIO OUT du caméscope.
 - 3 Appuyer sur la touche **SOURCE**. (voir page 10 "Pour choisir la source").
- Chaque caméscope possède une configuration de panneau arrière différente.
 - Lors du branchement d'un caméscope, les couleurs du câble et de la borne de branchement doivent correspondre.

Branchement d'un magnétoscope

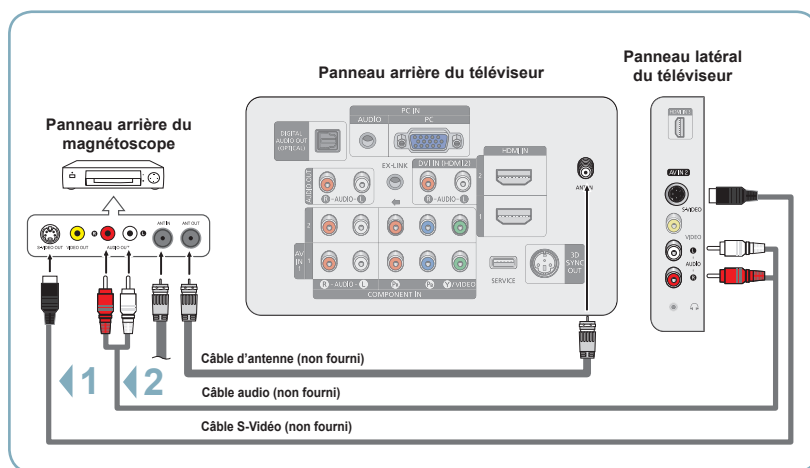
Branchement à Video



- 1 Débrancher le câble ou l'antenne à l'arrière du téléviseur.
- 2 Brancher le câble ou l'antenne à l'entrée ANT IN à l'arrière du magnétoscope.
- 3 Relier au moyen d'un câble d'antenne la borne ANT OUT du magnétoscope et la borne ANT IN du téléviseur.
- 4 Relier au moyen d'un câble vidéo la prise de sortie vidéo du magnétoscope et la prise AV IN 1 [Y/VIDEO] ou AV IN 2 [VIDÉO] du téléviseur.
- 5 Raccorder les câbles audio entre les sorties AUDIO OUT du magnétoscope et les entrées AV IN 1(ou AV IN 2) [R-AUDIO-L] du téléviseur.
- 6 Appuyer sur la touche **SOURCE**. (voir page 10 "Pour choisir la source").

- > Lors du branchement d'un magnétoscope, les couleurs du câble et de la borne de branchement doivent correspondre.
- > Si le magnétoscope est un modèle "mono" (non stéréo), relier les prises d'entrée audio droite et gauche du téléviseur au moyen d'un connecteur en Y (non fourni). Il est également possible de brancher le câble à la prise "R". Si le magnétoscope fonctionne en stéréo, deux câbles distincts doivent être branchés.
- > Le panneau arrière de chaque magnétoscope est différent.
- > La couleur de la prise d'entrée AV IN 1 [Y/VIDEO] (vert) ne correspond pas à la couleur du câble vidéo (jaune)..

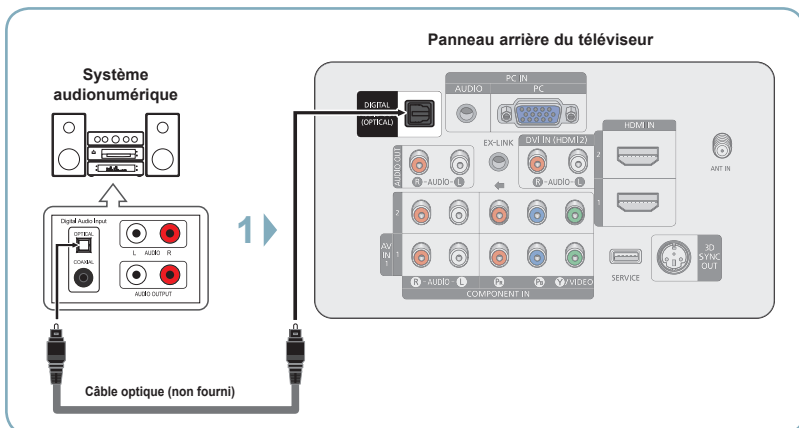
Branchement à S-Video



- 1 Pour commencer, suivre les étapes 1 à 3 de la section précédente pour brancher l'antenne ou le câble au magnétoscope et au téléviseur.
- 2 Raccorder un câble S-vidéo entre la sortie S-VIDEO OUT du magnétoscope et l'entrée AV IN 2 [S-VIDEO] du téléviseur.
- 3 Raccorder les câbles audio entre les sorties AUDIO OUT du magnétoscope et les entrées AV IN 2 [R-AUDIO-L] du téléviseur.
- 4 Appuyer sur la touche **SOURCE**. (voir page 10 "Pour choisir la source").

- > Lors du branchement d'un magnétoscope, les couleurs du câble et de la borne de branchement doivent correspondre.
- > Le panneau arrière de chaque magnétoscope est différent.

Branchement d'un système audionumérique

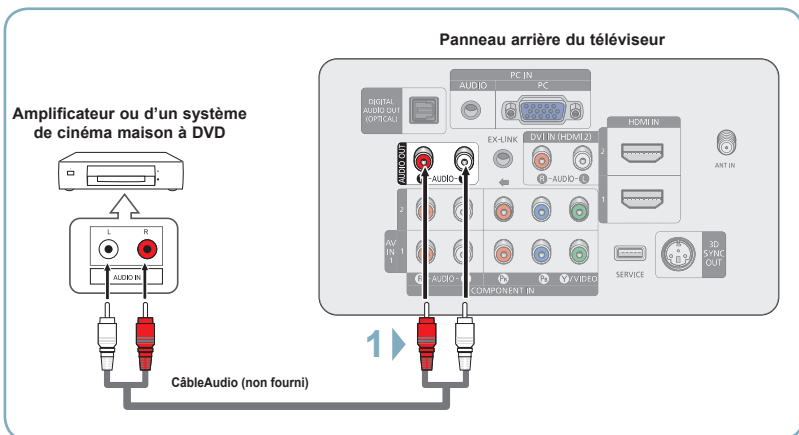


- 1 Brancher un câble optique entre les prises de sortie numérique optique DIGITAL AUDIO OUT (OPTICAL) du téléviseur et les prises d'entrée audionumérique du système audionumérique.

Lorsqu'un système audionumérique est branché à la prise "DIGITAL AUDIO OUT (OPTICAL)" : Réduire le volume du téléviseur et régler ensuite le niveau du volume à l'aide du contrôle de volume du système.

- Que signifie OPTIQUE?
 - Un câble optique convertit un signal électrique en un signal lumineux optique et le transmet par des fibres de verre. Un système transmet des signaux audionumériques sous forme d'ondes lumineuses, le format S/PDIF, par le biais d'un conducteur en verre.
- La diffusion audio en 5.1 canaux est possible lorsque le téléviseur est raccordé à un appareil externe doté de cette fonction audio.
- La configuration du panneau arrière de chaque système audionumérique est différente.
- Lorsque le récepteur (cinéma maison) est réglé sur "On", vous pouvez entendre du son provenant de la prise optique du téléviseur. Lorsque le téléviseur émet des signaux numériques (antenne), il transmet le son en 5.1 canaux au récepteur du cinéma maison. Lorsque la source est un composant numérique, comme un lecteur DVD, et que ce dernier est branché au téléviseur à l'aide d'un câble HDMI, seul un son deux canaux sera émis par le récepteur du cinéma maison.

Branchement d'un amplificateur ou d'une chaîne de cinéma maison à DVD – analogique



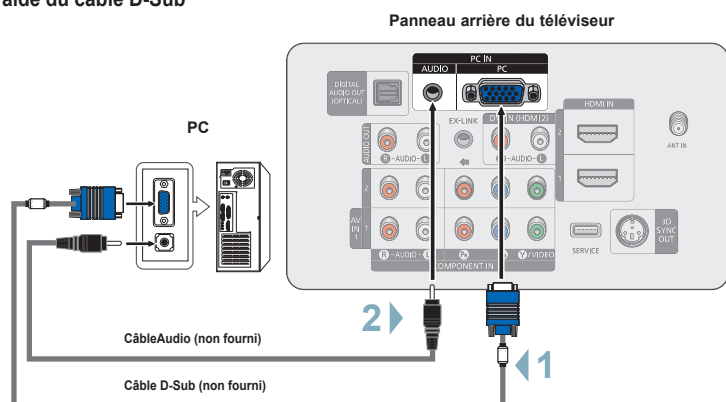
- 1 Brancher les câbles audio entre les prises de sortie AUDIO OUT [R-AUDIO-L] du téléviseur et les prises d'entrée AUDIO IN [L-AUDIO-R] de l'amplificateur ou du système de cinéma maison à DVD.

Lorsqu'un amplificateur audio est branché aux sorties AUDIO OUT [R-AUDIO-L]: Réduire le volume du téléviseur et régler ensuite le niveau du volume à l'aide du contrôle de volume de l'amplificateur.

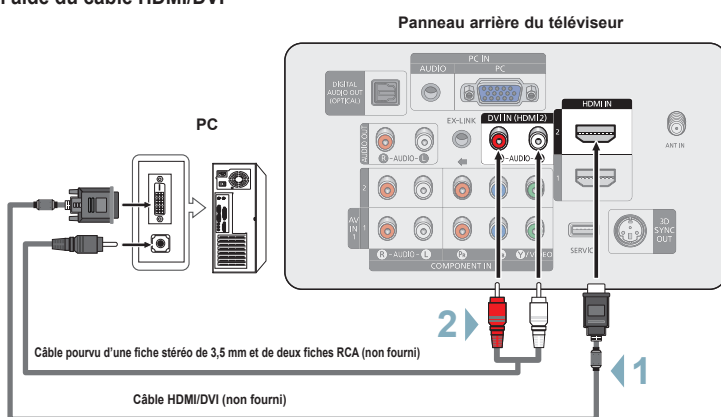
- Chaque amplificateur/système de cinéma maison à DVD possède une configuration de panneau arrière différente.
- Lors du branchement d'un amplificateur ou système de cinéma maison à DVD, les couleurs du câble et de la borne de branchement doivent correspondre.

Branchement d'un ordinateur

À l'aide du câble D-Sub



À l'aide du câble HDMI/DVI



À l'aide du câble D-Sub

- 1 Brancher un câble D-Sub entre la prise d'entrée PC IN [PC] du téléviseur et la prise de sortie PC de l'ordinateur.
- 2 Brancher un câble audio PC entre la prise d'entrée PC IN [AUDIO] du téléviseur et la prise de sortie audio de la carte son de l'ordinateur.
- 3 Appuyer sur la touche **SOURCE**. (voir page 10 "Pour choisir la source").

À l'aide du câble HDMI/DVI

- 1 Brancher un câble HDMI/DVI entre la prise d'entrée [HDMI IN 2] du téléviseur et la prise de sortie PC de l'ordinateur.
- 2 Brancher un câble pourvu d'une fiche stéréo de 3,5 mm et de deux fiches RCA entre la prise d'entrée DVI IN (HDMI 1) [R-AUDIO-L] du téléviseur et la prise de sortie audio de la carte son de l'ordinateur.
- 3 Appuyer sur la touche **SOURCE**. (voir page 10 "Pour choisir la source").

- La configuration du panneau arrière de chaque ordinateur est différente.
- Lors du branchement d'un ordinateur, les couleurs du câble et de la borne de branchement doivent correspondre.
- Il faut brancher un câble HDMI/DVI dans la prise HDMI IN 2.

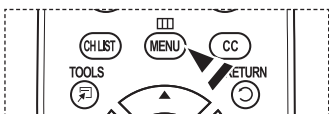
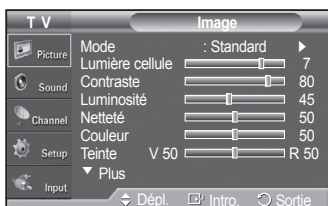
Mise sous tension/hors tension du téléviseur

Appuyer sur la touche **POWER** de la télécommande.
Il est aussi possible d'utiliser la touche **POWER** du téléviseur.

➤ Le téléviseur peut prendre un certain temps avant de s'allumer.

Affichage des menus

- 1 Alors que le téléviseur est allumé, appuyer sur la touche **MENU**.
Le menu principal apparaît à l'écran. Les cinq icônes de gauche représentent **Image**, **Son**, **Canal**, **Configuration**, **Entrée**.
- 2 Sélectionner une des cinq icônes à l'aide des touches **▲** et **▼**.
Ensuite, appuyer sur **ENTER** pour accéder au sous-menu de l'icône.
- 3 Appuyer sur la touche **EXIT** pour quitter le menu.
➤ Le menu à l'écran disparaît après environ une minute.



Mémorisation des canaux

Le téléviseur peut mémoriser tous les canaux captés par l'antenne (air) ou sur le câble. Une fois les chaînes mémorisées, les touches **CH** (▲) ou **CH** (▼) permettent de les parcourir successivement, ce qui évite de syntoniser chaque canal manuellement avec les touches numériques. La mémorisation des canaux s'effectue en trois étapes : sélection de la source de transmission, mémorisation automatique des canaux et ajout ou suppression manuelle de canaux (listes des canaux).

Sélection de la source de diffusion

Pour que le téléviseur puisse mémoriser les canaux disponibles, il faut préciser la source de signal à laquelle il est raccordé (air ou câble).

- 1 Appuyer sur la touche **MENU** pour afficher le menu. Appuyer sur la touche **▲** ou **▼** pour sélectionner **Chaîne**, suivie de la touche **ENTER**.



- 2 Appuyer sur **ENTER** pour choisir **Antenne**. Appuyer sur la touche **▲** ou **▼** pour sélectionner **Air** ou **Câble**, suivie de la touche **ENTER**. Appuyer sur la touche **EXIT** pour quitter le menu.



Mémorisation des canaux (Méthode automatique)

- 1 Appuyer sur la touche **MENU** pour afficher le menu. Appuyer sur la touche **▲** ou **▼** pour sélectionner **Canal**, suivie de la touche **ENTER**.



- 2 Appuyer sur la touche **▲** ou **▼** pour sélectionner **Prog. auto**, suivie de la touche **ENTER**.
 - **Air**: Signal d'antenne **Air**.
 - **Câble**: Signal d'antenne **Câble**.
 - **Auto**: Signaux d'antenne **Air** et **Câble**.

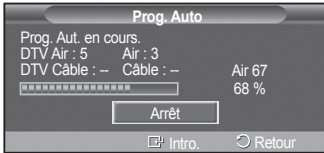


- 3 Appuyer sur la touche **▲** ou **▼** pour sélectionner le branchement d'antenne, suivie de la touche **ENTER**.



4 Au moment de la sélection du système de télévision par câble : Appuyer sur **ENTER** pour amorcer la programmation automatique. Appuyer sur les touches ▲ ou ▼ pour choisir la source du signal analogique appropriée (**STD, HRC** ou **IRC**), puis sur **ENTER**. Si le câble est numérique, sélectionner la source de signal pour une diffusion analogique et numérique.

- STD, HRC et IRC désignent différents systèmes de câblodistribution. Pour connaître le système utilisé dans un secteur particulier, communiquer avec le câblodistributeur. La sélection de la source de signal est maintenant terminée.



5 Le téléviseur commence alors à mémoriser tous les canaux disponibles.

- Si vous voulez arrêter la programmation automatique, appuyez sur **ENTER**. le message **Arrêter la programmation automatique?** s'affiche. Sélectionner **Oui** en appuyant sur la touche ◀ ou ▶.

Appuyer sur la touche **EXIT** pour quitter le menu.



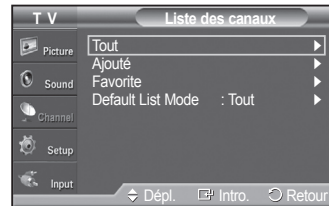
Visualisation des listes de canaux

Il est possible d'afficher une liste de tous les canaux, des canaux ajoutés ou des canaux préférés.

1 Appuyer sur la touche **MENU** pour afficher le menu. Appuyer sur la touche ▲ ou ▼ pour sélectionner **Chaîne**, suivie de la touche **ENTER**.



2 Appuyer sur la touche ▲ ou ▼ pour sélectionner **Liste des canaux**, suivie de la touche **ENTER**.



3 Appuyer sur la touche ▲ ou ▼ pour sélectionner **Tout, Ajouté** ou **Favorite**, suivie de la touche **ENTER**.

Pour naviguer entre tous les canaux, les canaux ajoutés ou entre les canaux favoris, appuyer sur la touche rouge (P.MODE) de la télécommande.

- **Touche rouge (P.MODE)**: Appuyer plusieurs fois sur cette touche pour sélectionner **Tout, Ajouté** ou **Favorite**.
- **Touche vert**: Appuyer pour ajouter tous les canaux supprimés.
- **Touche jaune (STILL)**: Appuyer pour supprimer tous les canaux en mémoire.

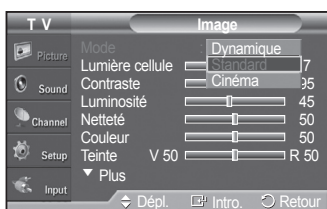


Réglage de l'image

Changement du format normal de l'image

Il est possible de choisir le type d'image qui correspond le plus à ses exigences.

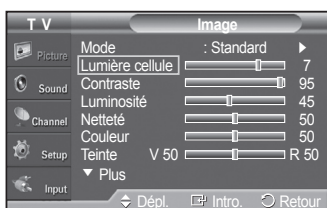
- 1 Appuyer sur la touche **MENU** pour afficher le menu. Appuyer sur la touche ▲ ou ▼ pour sélectionner **Picture**, suivie de la touche **ENTER**.
- 2 Appuyer sur **ENTER** pour choisir **Mode**. Appuyer sur la touche ▲ ou ▼ pour sélectionner le réglage d'image **Dynamique**, **Standard** ou **Cinéma**, suivie de la touche **ENTER**.
 - **Dynamique**: Choisit l'image pour la haute définition dans une pièce claire.
 - **Standard**: Choisit la meilleure image possible dans un environnement normal.
 - **Cinéma**: Choisit la meilleure image pour regarder des films dans une pièce sombre.



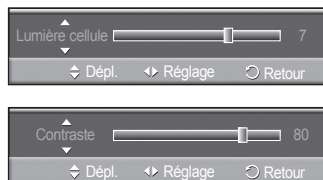
Personnalisation des réglages de l'image

Le téléviseur offre plusieurs options de réglage de la qualité de l'image.

- 1 Pour sélectionner le mode d'image désiré, suivre les instructions **Modifier l'image standard** numéros 1 à 2.
- 2 Appuyer sur la touche ▲ ou ▼ pour sélectionner **Lumière cellule**, **Contraste**, **Luminosité**, **Netteté**, **Couleur** ou **Teinte**, suivie de la touche **ENTER**.
 - **Lumière cellule**: Règle la luminosité des pixels (10 étant le réglage le plus élevé).
 - **Contraste**: Règle le niveau de contraste de l'image.
 - **Luminosité**: Règle le niveau de luminosité de l'image.
 - **Netteté**: Règle la définition des contours de l'image.
 - **Couleur**: Règle la saturation des couleurs de l'image.
 - **Teinte**: Règle la teinte des couleurs de l'image en compensant le rouge et le vert.



- 3 Appuyer sur la touche ◀ ou ▶ pour augmenter ou réduire la valeur d'un élément particulier. Appuyer sur la touche **ENTER**. Appuyer sur la touche **EXIT** pour quitter le menu.



- Lorsque des modifications sont apportées au **Contraste**, à la **Luminosité**, à la **Précision**, à la **Couleur** ou à la **Teinte**, la couleur affichée à l'écran est modifiée en conséquence.
- En mode **PC**, **Teinte (V/R)**, **Netteté** et **Couleur** ne sont pas accessibles.
- Chaque paramètre configuré est enregistré séparément en fonction du mode d'entrée.

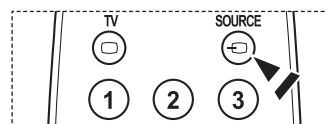
Pour choisir la source

Sélectionner le téléviseur ou une autre source d'entrée externe branchée au téléviseur, comme un lecteur DVD, un récepteur ou un câbloselecteur. Sélectionner pour choisir la source d'entrée désirée.

- 1 Appuyer sur la touche **MENU** pour afficher le menu. Appuyer sur la touche ▲ ou ▼ pour sélectionner **Entrée**, suivie de la touche **ENTER**.



- 2 Appuyer sur **ENTER** pour choisir **Liste des sources**. Appuyer sur la touche ▲ ou ▼ pour sélectionner la source du signal, suivie de la touche **ENTER**.



- Il est possible de choisir entre les jeux de prises suivants : **TV**, **AV1**, **AV2**, **S-Video**, **Component1**, **Component2**, **PC**, **HDMI1**, **HDMI2**, **HDMI3**.
- Seuls les appareils externes branchés au téléviseur peuvent être sélectionnés.

Dépannage

Si le téléviseur semble éprouver un problème, consulter d'abord cette liste des problèmes et solutions possibles.
Si aucun de ces conseils ne permet de corriger le problème, communiquer avec le service à la clientèle de

Problème	Solution possible
Image de mauvaise qualité.	Essayer un autre canal. Réorienter l'antenne. Vérifier toutes les branchements de câbles.
Son de mauvaise qualité.	Essayer un autre canal. Réorienter l'antenne.
Pas d'image ni de son.	Essayer un autre canal. Appuyer sur la touche SOURCE . Vérifier si le téléviseur est branché. Vérifier les branchements de l'antenne. Vérifier que la touche MUTE n'est pas enfoncée.
Aucun son ou le son est trop faible au volume maximum.	En premier lieu, vérifier le volume des appareils branchés au téléviseur (récepteur numérique, lecteur DVD, câbloselecteur, magnétoscope, etc.). Régler ensuite le volume du téléviseur en conséquence.
Défilement vertical de l'image.	Vérifier toutes les branchements de câbles.
Fonctionnement anormal du téléviseur.	Débrancher le téléviseur pendant 30 secondes, le rebrancher et le rallumer.
Le téléviseur ne s'allume pas.	Vérifier que la prise murale fonctionne.
La télécommande fonctionne mal.	Remplacer les piles de la télécommande. Nettoyer l'extrémité supérieure de la télécommande (hublot de transmission). Vérifier les bornes des piles. Appuyer sur la touche TV pour régler la télécommande au mode TV. Vérifier s'il y a des piles dans la télécommande. Vérifier si les bornes " + " et " - " des batteries sont insérées correctement.
Problème d'écran en diffusion numérique.	Vérifier la puissance du signal numérique et l'entrée de l'antenne.
L'image est trop pâle ou trop foncée.	Régler la luminosité et le contraste. Utiliser le réglage de précision.
L'image est trop grande ou trop petite.	Redimensionner l'image.
La qualité visuelle des canaux numériques varie.	La qualité visuelle des canaux numériques peut varier selon la méthode de production d'origine (analogue ou numérique). - Si la méthode de production d'origine est numérique : Une émission de haute qualité visuelle. - Si la méthode de production d'origine est analogue : Le programme numérique affiché à l'écran est un programme analogue à l'origine, mais converti au format numérique. La qualité visuelle est de calibre SD (définition standard).
L'écran est noir et le témoin d'alimentation clignote.	Sur l'ordinateur, Sur l'ordinateur, vérifier l'alimentation et le câble de signal. Le téléviseur est en mode d'économie d'énergie. Déplacer la souris de l'ordinateur ou appuyer sur une touche du clavier. Sur le matériel, vérifier le mode (STB, DVD, etc.), l'alimentation et le câble de signal. Le téléviseur est en mode d'économie d'énergie. Appuyer sur la touche Source du panneau ou de la télécommande. Éteindre le téléviseur et le rallumer.
Même si le téléviseur indique HD, la qualité visuelle n'est pas satisfaisante.	L'indication HD (haute définition) affichée lors d'un changement de poste ou lorsque la touche Information de la télécommande est enfoncée signifie que le canal sélectionné est un canal numérique. Si le diffuseur convertit un signal analogue au format numérique et transmet ce signal, il est possible que la qualité visuelle ne soit pas parfaite.
L'image détériorée apparaît dans un angle de l'écran.	Si la fonction Numérisation seulement est sélectionnée sur un appareil externe, l'image détériorée peut apparaître dans un angle de l'écran. Ce dommage est causé par les appareils externes et non par le téléviseur.
Un son étrange se fait entendre.	Cela est causé par le fonctionnement des appareils; il ne s'agit pas d'une défectuosité.
Le message "rétablit tous les paramètres aux réglages prédéfinis" s'affiche.	Ce message s'affiche lorsque vous appuyez et maintenez la touche EXIT enfoncée pendant un moment. Les valeurs par défaut du produit sont rétablies selon les paramètres prédéfinis à l'usine.

➤ Cet écran à plasma comporte des sous-pixels (2,359,296 pixels (pour les modèles de 42 po) / 3,147,264 pixels (pour les modèles de 50 po)) dont la production exige une technologie de pointe. Toutefois, il peut y avoir des pixels plus lumineux ou plus sombres à l'écran. Ces derniers n'ont aucune incidence sur le rendement du produit.



Contact SAMSUNG WORLD-WIDE

If you have any questions or comments relating to Samsung products, please contact the SAMSUNG customer care center.

Comment contacter Samsung dans le monde

Si vous avez des suggestions ou des questions concernant les produits Samsung, veuillez contacter le Service Consommateurs Samsung.

Country	Customer Care Center ☎	Web Site	Address
CANADA	1-800-SAMSUNG (7267864)	www.samsung.com/ca	Samsung Electronics Canada Inc., Customer Service 55 Standish Court Mississauga, Ontario L5R 4B2 Canada
			Samsung Electronique Canada Inc., Service à la Clientèle 55 Standish Court Mississauga, Ontario L5R 4B2 Canada
U.S.A	1-800-SAMSUNG (7267864)	www.samsung.com	Samsung Electronics America, Inc. 105 Challenger Road Ridgefield Park, NJ 07660-0511



BN68-01363D-00