

SAMSUNG

Quick Setup Guide

PN42A450P1D/ PN50A450P1D



1-800-SAMSUNG (7267864)

Samsung Electronics America, Inc.

105 Challenger Road Ridgefield Park, NJ 07660-0511

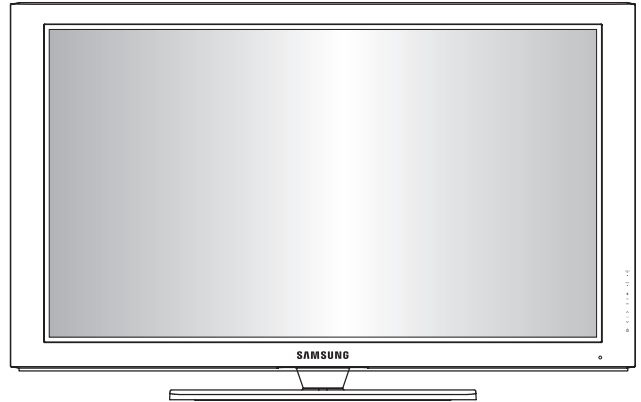
Samsung Electronics Canada Inc., Customer Service

55 Standish Court Mississauga, Ontario L5R 4B2

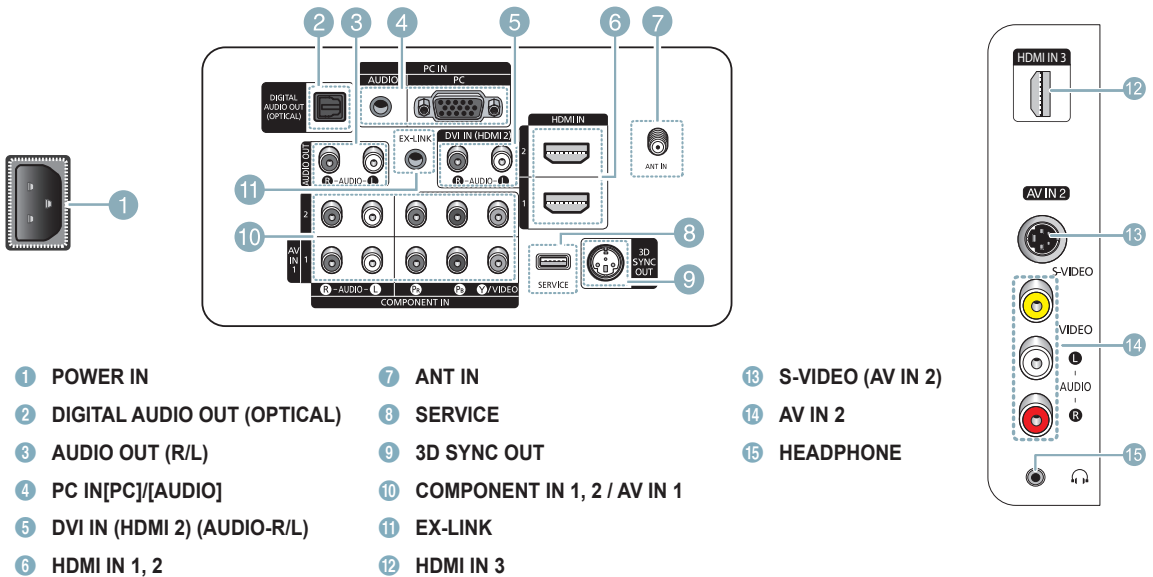
Call center hours of operation (Mon-Sun 9AM-12AM EST).

To register this product please visit

www.samsung.com/global/register.



Rear & Side Panel Jacks



Video Input Performance Comparison



	HDMI/DVI	Best
	PC/COMPONENT	Better
	S-VIDEO	Good
	VIDEO	Normal

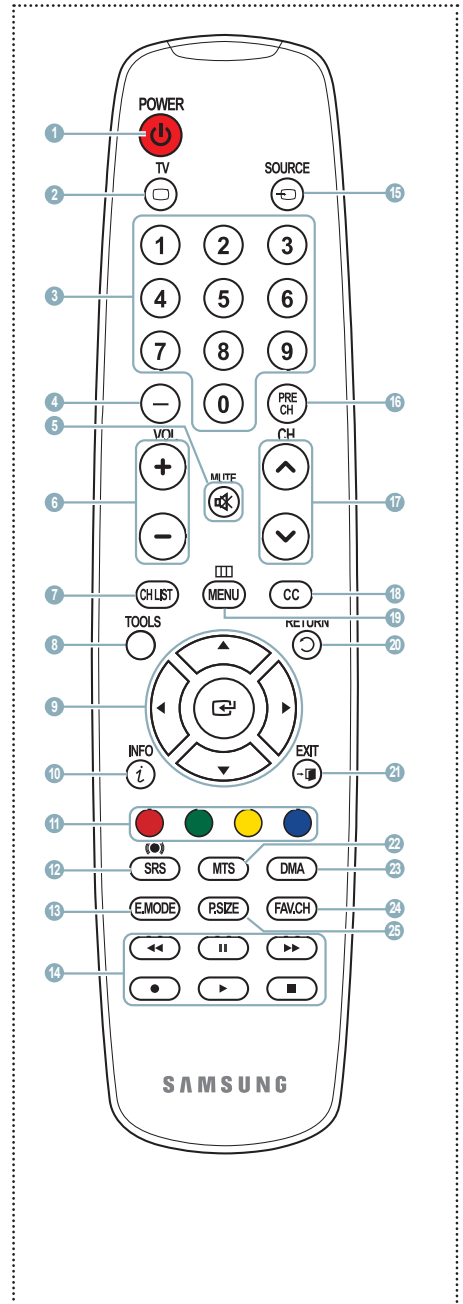
Audio Output Performance Comparison

	OPTICAL (Digital)	Best
	AUDIO (Analog)	Normal

Remote Control Buttons

You can use the remote control up to a distance of about 23 feet from the TV.

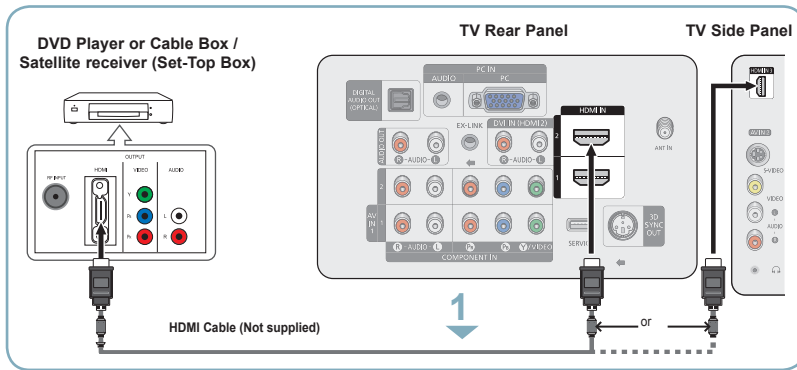
- 1 **POWER**
Turns the TV on and off.
- 2 **TV**
Selects the TV mode directly.
- 3 **NUMERIC BUTTONS**
Press to directly select a channel.
- 4 **-**
Press to select additional channels (digital and analog) being broadcast by the same station. For example, to select channel "54-3", press "54", then press "-" and "3".
- 5 **MUTE**
Press to temporarily cut off the sound.
- 6 **+ VOL -**
Press to increase or decrease the volume.
- 7 **CH LIST**
Used to display Channel Lists on the screen.
- 8 **TOOLS**
Use to quickly select frequently used functions.
- 9 **UP ▲ / DOWN ▼ / LEFT ◀ / RIGHT ▶ / ENTER** 
Use to select on-screen menu items and change menu values.
- 10 **INFO**
Press to display information on the TV screen.
- 11 **COLOR BUTTONS**
Use these buttons in the Channel list.
- 12 **SRS**
Selects SRS TruSurround XT mode.
- 13 **E.MODE**
Press to select the preset display and sound modes for sports, cinema and games.
- 14 Use these buttons in the DMA and Anynet+ modes.
(): This remote can be used to control recording on Samsung recorders with the Anynet+ feature)
- 15 **SOURCE**
Press to display all of the available video sources.
- 16 **PRE-CH**
Tunes to the previous channel.
- 17 **◀ CH ▶**
Press to change channels.
- 18 **CC**
Controls the caption decoder.
- 19 **MENU**
Displays the main on-screen menu.
- 20 **RETURN**
Returns to the previous menu.
- 21 **EXIT**
Press to exit the menu.
- 22 **MTS**
Press to choose stereo, mono or Separate Audio Program (SAP broadcast).
- 23 **DMA (Digital Media Adapter)**
Use this when connecting a Samsung DMA device through an HDMI interface and switching to DMA mode.
For more information on the operating procedures, refer to the user manual of the DMA.
➤ This button is available when "Anynet(HDMI-CEC)" is "On". (see page 65 of the owner's manual)
- 24 **FAV.CH**
Press to switch to your favorite channels.
- 25 **P.SIZE**
Press to change the screen size.



➤ The performance of the remote control may be affected by bright light..

Connecting a DVD Player or Cable Box / Satellite receiver (Set-Top Box) via HDMI

Connecting to HDMI (High Definition Multimedia Interface)



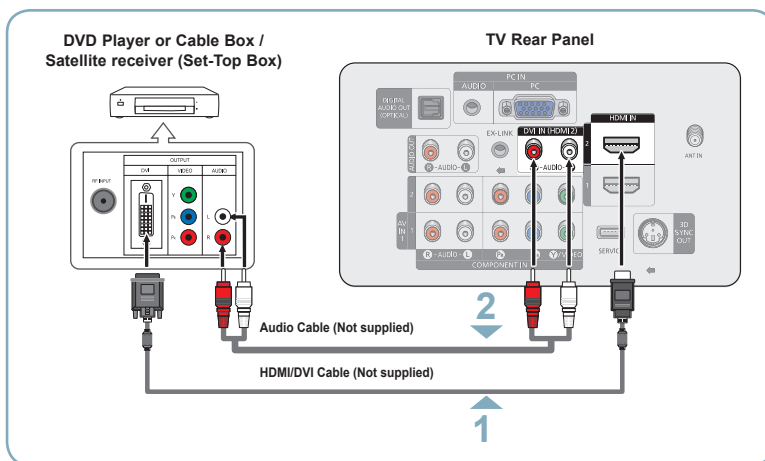
1 Connect an HDMI Cable between the HDMI IN(1, 2 or 3) jack on the TV and the HDMI jack on the DVD Player or Cable Box / Satellite receiver (Set-Top Box).

2 Press the **SOURCE** button on the remote control until you see the DVD Player or Cable Box/Satellite receiver (Set- Top Box) signal (see "To Select the Source" on page 10)

➤ Each DVD Player or Cable Box / Satellite receiver (Set-Top Box) has a different back panel configuration.

➤ When connecting a DVD Player or Cable Box / Satellite receiver (Set-Top Box), match the color of the connection terminal to the cable.

Connecting to DVI (Digital Visual Interface)



1 Connect a HDMI/DVI Cable or DVI-HDMI Adapter between the HDMI IN 2 jack on the TV and the DVI jack on the DVD Player or Cable Box/ Satellite receiver (Set- Top Box).

2 Connect Audio Cables between the DVI IN (HDMI 2) [R-AUDIO-L] jack on the TV and the AUDIO OUT jacks on the DVD Player or Cable Box/Satellite receiver (Set-Top Box).

3 Press the **SOURCE** button on the remote control until you see the DVD Player or Cable Box/Satellite receiver (Set- Top Box) signal (see "To Select the Source" on page 10)

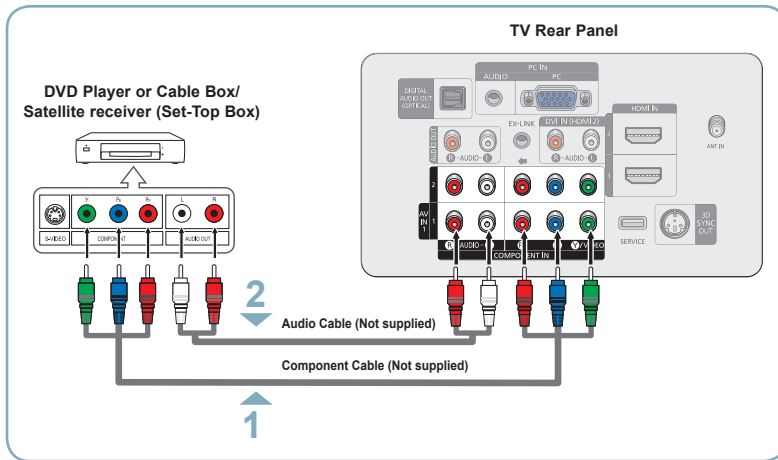
➤ When connecting a DVD Player or Cable Box / Satellite receiver (Set-Top Box), match the color of the connection terminal to the cable.

➤ When using an HDMI / DVI cable connection, you must use the HDMI IN 2 jack.

➤ Each DVD Player or Cable Box / Satellite receiver (Set-Top Box) has a different back panel configuration.

Connecting a DVD Player or Cable Box / Satellite receiver (Set-Top Box) via Component cables

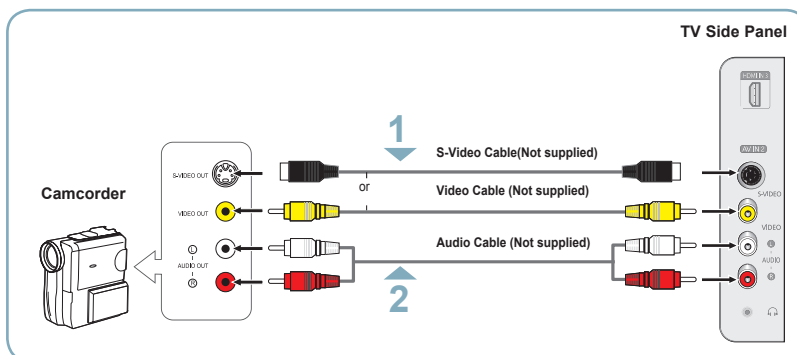
Connecting to Y, Pb, Pr



- 1 Connect Component Cables between the COMPONENT IN (1 or 2) [Y, Pb, Pr] jacks on the TV and the COMPONENT [Y, Pb, Pr] jacks on the DVD Player or Cable Box / Satellite receiver (Set-Top Box).
- 2 Connect Audio Cables between the COMPONENT IN (1 or 2) [R-AUDIO-L] jacks on the TV and the AUDIO OUT jacks on the DVD Player or Cable Box / Satellite receiver (Set-Top Box).
- 3 Press the **SOURCE** button on the remote control until you see the DVD Player or Cable Box / Satellite receiver (Set-Top Box) signal (see "To Select the Source" on page 10)

- Component video separates the video into Y (Luminance (brightness)), Pb (Blue) and Pr (Red) for enhanced video quality. Be sure to match the component video and audio connections. For example, if connecting the video cable to COMPONENT IN 1, connect the audio cable to COMPONENT IN 1 also.
- Each DVD Player or Cable Box / Satellite receiver (Set-Top Box) has a different back panel configuration.
- When connecting a DVD Player or Cable Box / Satellite receiver (Set-Top Box), match the color of the connection terminal to the cable.

Connecting a Camcorder

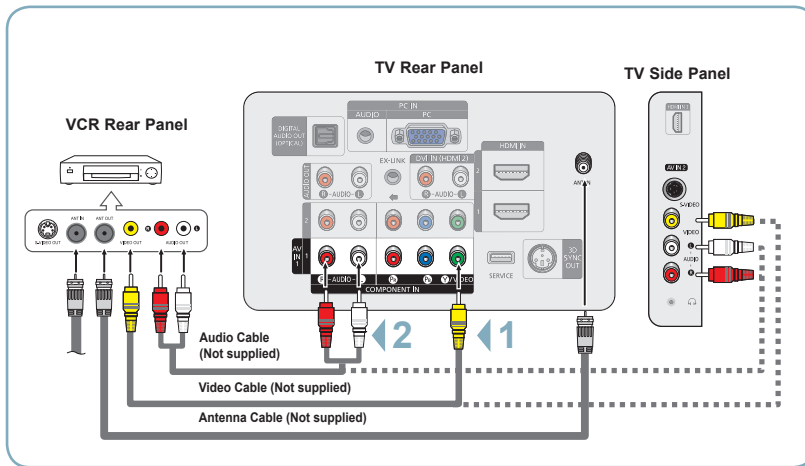


- 1 Connect a Video Cable (or S-Video Cable) between the AV IN 2 [VIDEO] (or S-VIDEO) jack on the TV and the VIDEO OUT jack on the Camcorder.
- 2 Connect Audio Cables between the AV IN 2 [L-AUDIO-R] jacks on the TV and the AUDIO OUT jacks on the Camcorder.
- 3 Press the **SOURCE** button on the remote control until you see the Camcorder signal (see "To Select the Source" on page 10)

- Each Camcorder has a different back panel configuration.
- When connecting a Camcorder, match the color of the connection terminal to the cable.

Connecting a VCR

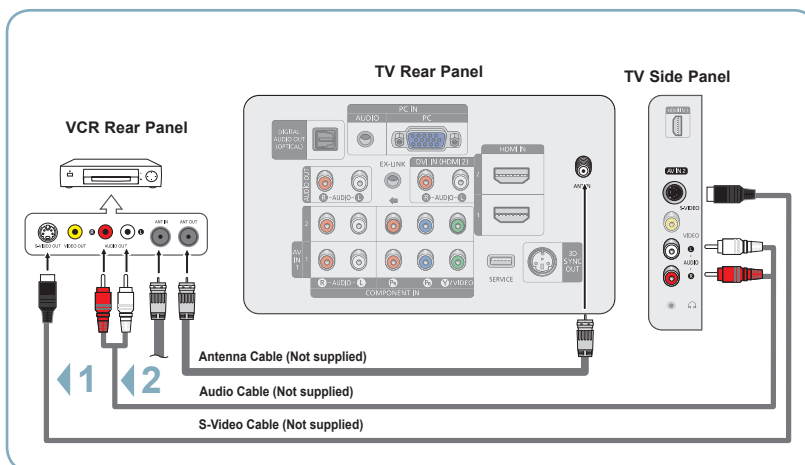
Connecting to Video



- 1 Unplug the cable or antenna from the back of the TV.
- 2 Connect the cable or antenna to the ANT IN terminal on the back of the VCR.
- 3 Connect an Antenna Cable between the ANT OUT terminal on the VCR and the ANT IN terminal on the TV.
- 4 Connect a Video Cable between the VIDEO OUT jack on the VCR and the AV IN 1 [Y/VIDEO] or AV IN 2 [VIDEO] jack on the TV.
- 5 Connect Audio cables between the AV IN 1 [R-AUDIO-L] jacks on the TV and the AUDIO OUT jacks on the VCR.
- 6 Press the **SOURCE** button on the remote control until you see the VCR signal (see "To Select the Source" on page 10).

- > When connecting a VCR, match the color of the connection terminal to the cable.
- > If you have a "mono" (non-stereo) VCR, use a Y-connector (not supplied) to hook up to the right and left audio input jacks of the TV. If your VCR is stereo, you must connect two cables.
- > Each VCR has a different back panel configuration.
- > When connecting to AV IN 1, the color of the AV IN 1 [Y/VIDEO] jack (Green) does not match the color of the video cable (Yellow).

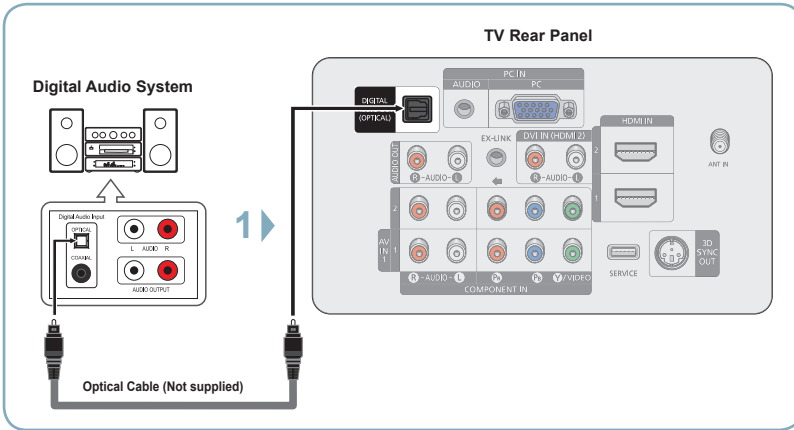
Connecting to S-Video



- 1 To begin, follow steps 1–3 in the previous section to connect the antenna or cable to your VCR and your TV.
- 2 Connect a S-Video cable between the [S-VIDEO] jack on the TV and the S-VIDEO OUT jack on the VCR.
- 3 Connect Audio cables between the AV IN 2 [R-AUDIO-L] jacks on the TV and the AUDIO OUT jacks on the VCR.
- 4 Press the **SOURCE** button on the remote control until you see the VCR signal (see "To Select the Source" on page 10).

- > When connecting a VCR, match the color of the connection terminal to the cable.
- > Each VCR has a different back panel configuration

Connecting a Digital Audio System

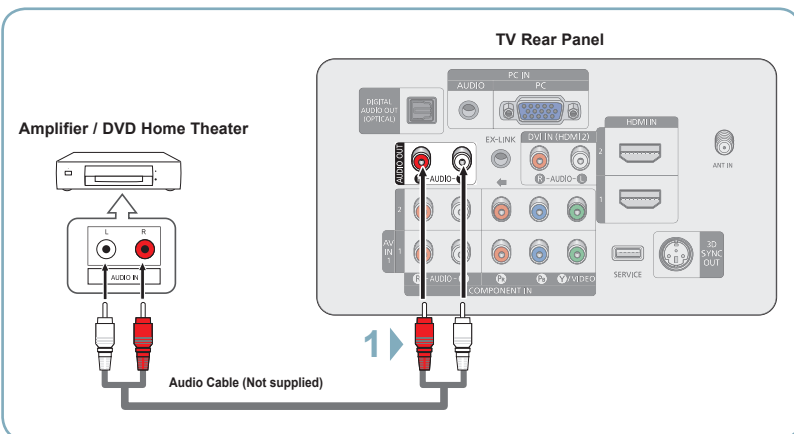


- 1 Connect an Optical Cable between the DIGITAL AUDIO OUT (OPTICAL) jacks on the TV and the Digital Audio Input (OPTICAL) jacks on the Digital Audio System.

When a Digital Audio System is connected to the DIGITAL AUDIO OUT (OPTICAL) terminal:
Decrease the volume of the TV, and adjust the volume level with the system's volume control.

- What is OPTICAL?
 - Converts the electric signal into an optical light signal, and transmits it through glass fibers. S/PDIF is a transmission system of digital audio in the form of a light wave that uses a glass conductor.
- 5.1CH audio is possible when the TV is connected to an external device supporting 5.1CH.
- Each external input source device has a different back panel configuration.
- When the COMPONENT IN or HDMI IN jacks are connected, the Optical jack on the TV outputs 2 channel audio only. If you want to hear 5.1 channel audio, connect the DIGITAL AUDIO OUT (OPTICAL) jack on the DVD player or Cable/Satellite Box directly to an Amplifier or Home Theater, not the TV.

Connecting an Analog Amplifier / DVD Home Theater



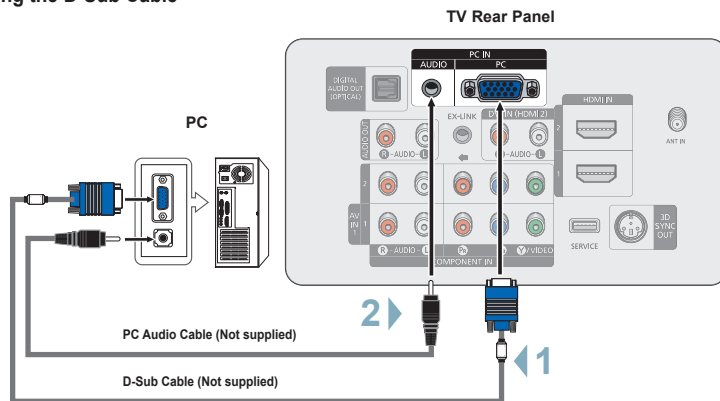
- 1 Connect Audio Cables between the AUDIO OUT [R-AUDIO-L] on the TV and AUDIO IN [L-AUDIO-R] on the Amplifier / DVD Home Theater.

When an audio amplifier is connected to the AUDIO OUT [R-AUDIO-L] jacks terminals: Decrease the volume of the TV, and adjust the volume level with the Amplifier's volume control.

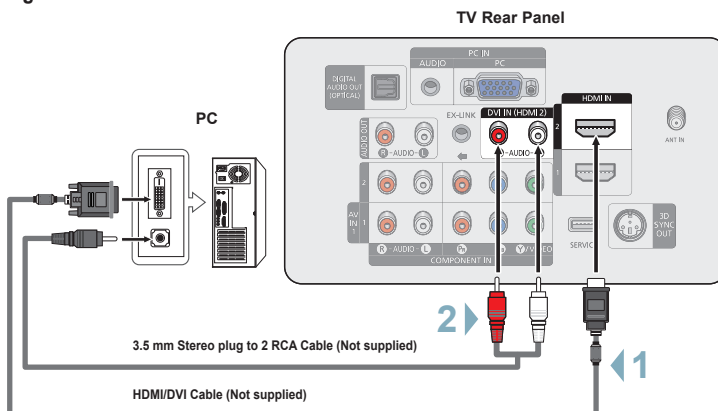
- Each Amplifier / DVD Home Theater has a different back panel configuration.
- When connecting an Amplifier / DVD Home Theater, match the color of the connection terminal to the cable.

Connecting a PC

Using the D-Sub Cable



Using the HDMI/DVI Cable



- Each PC has a different back panel configuration.
- When connecting a PC, match the color of the connection terminal to the cable.
- When using an HDMI/DVI cable connection, you must use the HDMI IN 2 terminal.

Using the D-Sub Cable

- 1 Connect a D-Sub Cable between PC IN [PC] jack on the TV and the PC output jack on your computer.
- 2 Connect a PC Audio Cable between PC IN [AUDIO] jack on the TV and the Audio Out jack of the sound card on your computer.
- 3 Press the **SOURCE** button on the remote control until you see the PC signal (see "To Select the Source" on page 10)

Using the HDMI/DVI Cable

- 1 Connect a HDMI/DVI cable between the HDMI IN 2 jack on the TV and the PC output jack on your computer.
- 2 Connect a 3.5mm Stereo/2RCA Cable cable between the DVI IN (HDMI 2) [R-AUDIO-L] jack on the TV and the Audio Out jack of the sound card on your computer.
- 3 Press the **SOURCE** button on the remote control until you see the PC signal (see "To Select the Source" on page 10)

Turning the TV On and Off

Press the **POWER** button on the remote control.
You can also use the **POWER** button on the TV.

➤ It may take a while before you see a full picture.

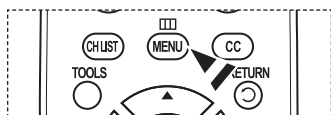
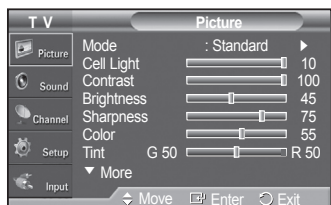
Viewing the Menus

1 With the power on, press the **MENU** button.
The main menu appears on the screen. Its left side has five icons:
Picture, Sound, Channel, Setup, Input.

2 Press the **▲** or **▼** button to select one of the icons.
Then press the **ENTER** button to access the icon's sub-menu.

3 Press the **EXIT** button to exit.

➤ It takes about one minute until the on-screen menu disappears.



Memorizing the Channels

Your TV can memorize and store all of the available channels for both "off-air" (air) and cable channels. After the available channels are memorized, use the CH **◀** or CH **▶** button to scan through the channels. This eliminates the need to change channels by entering the channel digits. There are three steps for memorizing channels: selecting a broadcast source, memorizing the channels (automatic) and adding and deleting channels (Channel Lists).

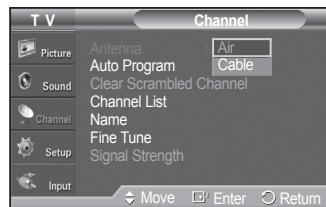
Selecting the Video Signal-source

Before your television can begin memorizing the available channels, you must specify the type of signal source that is connected to the TV (i.e. an Air or a Cable system).

1 Press the **MENU** button.
Press the **▲** or **▼** button to select **Channel**, then press the **ENTER** button.



2 Press the **ENTER** button to select **Antenna**.
Press the **▲** or **▼** button to select **Air** or **Cable**, then press the **ENTER** button.
Press the **EXIT** button to exit.



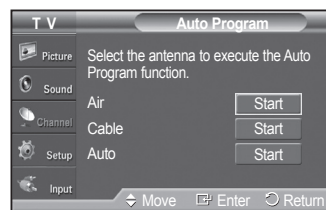
Storing Channels in Memory (Automatic Method)

1 Press the **MENU** button to display the menu.
Press the **▲** or **▼** button to select **Channel**, then press the **ENTER** button.

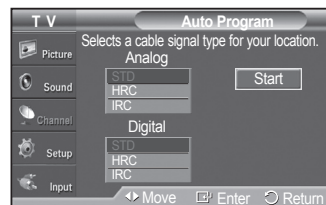


2 Press the **▲** or **▼** button to select **Auto Program**, then press the **ENTER** button.

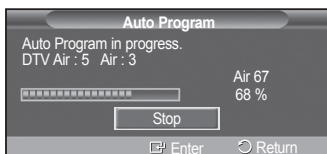
- **Air:** Air antenna signal.
- **Cable:** Cable antenna signal.
- **Auto:** Air and Cable antenna signals.



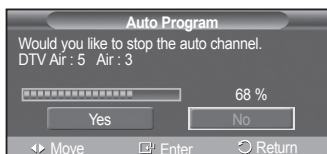
3 Press the **▲** or **▼** button to select the antenna connection, then press the **ENTER** button.



- 4** When selecting the Cable TV system: Press the **ENTER** button to start the auto program. Press the **▲** or **▼** to select the correct analog signal cable system source from among STD, HRC, and IRC, then press the **ENTER** button. If you have Digital cable TV, select the cable system signal source for both Analog and Digital.
- STD, HRC, and IRC identify various types of cable TV systems. Contact your local cable company to identify the type of cable system that exists in your particular area. At this point the signal source has been selected.



- 5** The TV begins memorizing all available stations.
- If you want to stop Auto Programming, press the **ENTER** button. The **Would you like to stop the auto channel.** message will be displayed. Select **Yes** by pressing the **◀** or **▶** button. Press the **EXIT** button to exit.



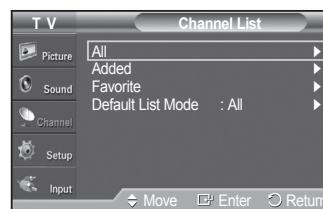
Viewing the Channel Lists

You can display a list of all channels, added channels or your favorite channels.

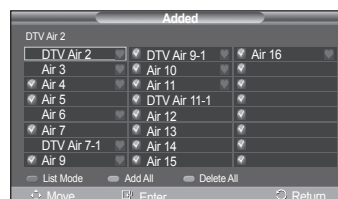
- 1** Press the **MENU** button to display the menu. Press the **▲** or **▼** button to select **Channel**, then press the **ENTER** button.



- 2** Press the **▲** or **▼** button to select **Channel List**, then press the **ENTER** button.



- 3** Press the **▲** or **▼** button to select **All**, **Added** or **Favorite**, then press the **ENTER** button. To toggle between your all channels, add channels, or favorite channels, use the red button on the remote control.
- **Red button:** Press repeatedly to select All, Added, or Favorite.
 - **Green button:** Press to add all channels deleted.
 - **Yellow button:** Press to delete all channels memorized.

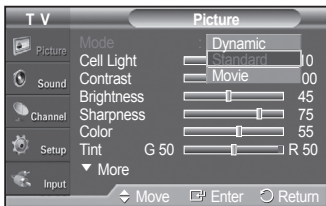


Picture Control

Changing the Picture Standard

You can select the type of picture which best corresponds to your viewing requirements.

- 1 Press the **MENU** button to display the menu. Press the **ENTER** button to select **Picture**.
- 2 Press the **ENTER** button to select **Mode**. Press the **▲** or **▼** button to select **Dynamic**, **Standard**, or **Movie**. Press the **ENTER** button.
 - **Dynamic**: Select the picture for high-definition in a bright room.
 - **Standard**: Select the picture for the optimum display in a normal environment.
 - **Movie**: Select the picture for viewing movies in a dark room.



- 3 Press the **◀** or **▶** button to decrease or increase the value of a particular item. Press the **ENTER** button. Press the **EXIT** button to exit.

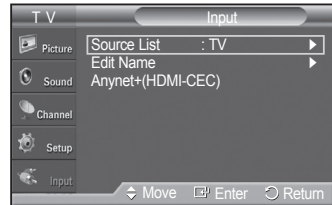


- When you make changes to Cell Light, Contrast, Brightness, Sharpness, Color, or Tint(G/R) the OSD will be adjusted accordingly.
- When in PC mode, Tint(G/R), Sharpness and Color are not available.
- Each adjusted setting will be stored separately according to its input mode.

To Select the Source

Use to select TV or other external input sources such as DVD players or Set-top/Cable boxes connected to the TV. Use to select the input source of your choice.

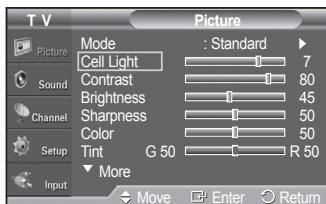
- 1 Press the **MENU** button. Press the **▲** or **▼** button to select **Input**, then press the **ENTER** button.



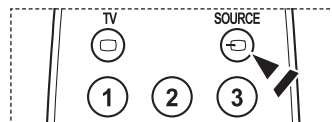
Customizing the Picture Settings

Your television has several setting options that allow you to control the picture quality.

- 1 To select the desired picture mode, follow the "Changing the Picture Standard" instructions number 1 to 2.
- 2 Press the **▲** or **▼** button to select **Cell Light**, **Contrast**, **Brightness**, **Sharpness**, **Color**, or **Tint**, then press the **ENTER** button.
 - **Cell Light**: Selects the brightness of PDP Cell Light.
 - **Contrast**: Adjusts the contrast level of the picture.
 - **Brightness**: Adjusts the brightness level of the picture.
 - **Sharpness**: Adjusts the edge definition of the picture.
 - **Color**: Adjusts color saturation of the picture.
 - **Tint**: Adjusts the color tint of the picture by compensating the red and green color.



- 2 Press the **ENTER** button again to select **Source List**. Press the **▲** or **▼** button to select signal source, then press the **ENTER** button.



- Available signal sources: **TV, AV1, AV2, S-Video, Component1, Component2, PC, HDMI1, HDMI2, HDMI3.**
- You can choose only those external devices that are connected to the TV.

Troubleshooting

If the TV seems to have a problem, first try this list of possible problems and solutions.
If none of these troubleshooting tips apply, call your nearest Samsung service center.

Problem	Possible Solution
Poor picture quality.	<ul style="list-style-type: none"> - Try another channel. - Adjust the antenna. - Check all wire connections.
Poor sound quality.	<ul style="list-style-type: none"> - Try another channel. - Adjust the antenna.
No picture or sound.	<ul style="list-style-type: none"> - Try another channel. - Press the SOURCE button. - Make sure the TV is plugged in. - Check the antenna connections. - Make sure the MUTE button is off.
No sound or sound is too low at maximum volume.	First, check the volume of units connected to your TV (digital broadcasting receiver, DVD, cable broadcasting receiver, VCR, etc.). Then, adjust the TV volume accordingly.
Picture rolls vertically.	Check all connections.
The TV operates erratically.	Unplug the TV for 30 seconds, then try operating it again.
The TV won't turn on.	Make sure the wall outlet is working.
Remote control malfunctions	<ul style="list-style-type: none"> - Replace the remote control batteries. - Clean the upper edge of the remote control(transmission window). - Check the battery terminals. - Make sure the remote has batteries. - Check that the "+" and "-" ends of the batteries are inserted correctly.
Digital broadcasting screen problem.	Please check the digital signal strength and input antenna.
The image is too light or too dark.	<ul style="list-style-type: none"> - Adjust the Brightness and Contrast. - Adjust the Fine tuning.
The image is too large or too small.	Adjust the Size settings.
The visual qualities of digital channels vary.	<p>The visual qualities of digital channels may vary depending on the original production method(analog or digital).</p> <ul style="list-style-type: none"> - If the original production method is digital: High visual quality. - If the original production method is analog: The digital program displayed on the screen is originally an analog program which has been converted to digital. <p>The visual quality is of an SD(Standard Definition) grade.</p>
Screen is black and power indicator light blinks steadily.	<p>On your computer check; Power and Signal Cable. The TV is using its power management system. Move the computer's mouse or press any key on the keyboard.</p> <p>On your equipment check (STB, DVD, etc) ; Power and Signal Cable. The TV is using its power management system. Press the Source button on the panel or remote control. Turn the TV off and on.</p>
Although the TV caption shows HD, the visual quality is not satisfactory.	The HD(High Definition) caption that appears when switching channels or when pressing the Information button on the remote control means the selected channel is a digital channel. If the broadcasting station converts an analog signal into digital and transmits the signal, the visual quality may not be perfect.
A distorted picture appears in the corner of the screen.	If Just Scan is selected in some external devices, a distorted picture may appear in the corner of the screen. This symptom is caused by external devices, not the TV.
A Strange sound is heard.	This is caused by minor systems operation and is not a defect.
The "Resets all settings to the default values" message appears.	This appears when you press and hold the EXIT button for a while. The product settings are reset to the factory defaults.

➤ This Plasma panel uses a panel consisting of sub pixels (2,359,296 (42inch)/3,147,264 (50inch)) which require sophisticated technology to produce. However, there may be few bright or dark pixels on the screen. These pixels will have no impact on the performance of the product.



Contact SAMSUNG WORLD-WIDE

If you have any questions or comments relating to Samsung products, please contact the SAMSUNG customer care center.

Country	Customer Care Center ☎	Web Site	Address
CANADA	1-800-SAMSUNG (7267864)	www.samsung.com/ca	Samsung Electronics Canada Inc., Customer Service 55 Standish Court Mississauga, Ontario L5R 4B2 Canada
			Samsung Electronique Canada Inc., Service à la Clientèle 55 Standish Court Mississauga, Ontario L5R 4B2 Canada
U.S.A	1-800-SAMSUNG (7267864)	www.samsung.com	Samsung Electronics America, Inc. 105 Challenger Road Ridgefield Park, NJ 07660-0511



BN68-01363B-00