

SAMSUNG

Quick Setup Guide

PN50A550S1F/PN58A550S1F

STOP

Please do not return this unit

If you are having problems operating this TV, Please call:

1-800-SAMSUNG (1-800-726-7864)

For Web support please visit www.samsung.com/support

1-800-SAMSUNG (7267864)

Samsung Electronics America, Inc.

105 Challenger Road Ridgefield Park, NJ 07660-0511

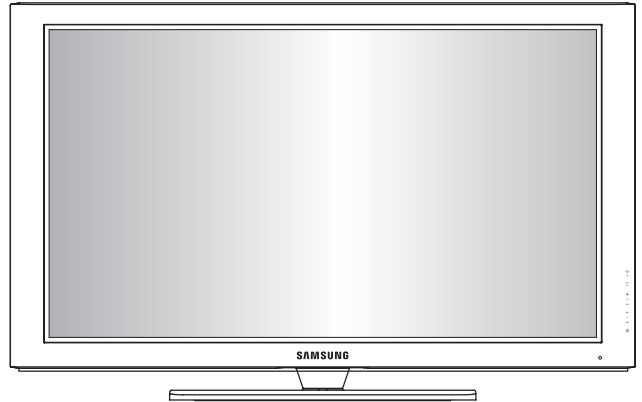
Samsung Electronics Canada Inc., Customer Service

55 Standish Court Mississauga, Ontario L5R 4B2

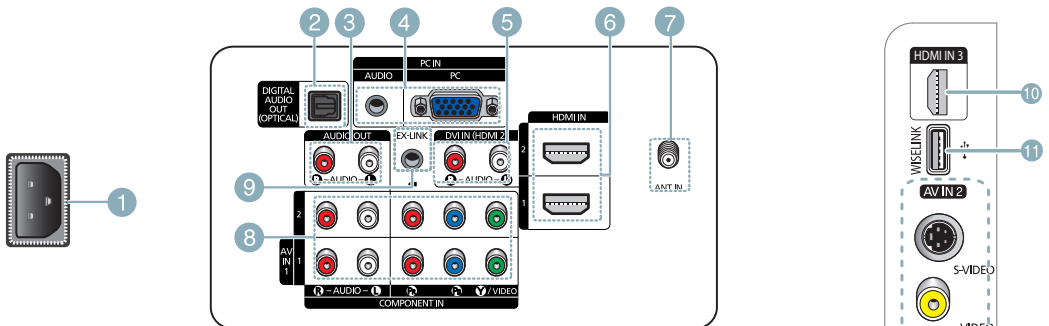
Call center hours of operation (Mon-Sun 9AM-12AM EST).

To register this product please visit

www.samsung.com/global/register



Rear & Side Panel Jacks



- | | | |
|-------------------------------|-------------------------------|--------------|
| 1 POWER IN | 7 ANT IN | 13 HEADPHONE |
| 2 DIGITAL AUDIO OUT (OPTICAL) | 8 COMPONENT IN 1, 2 / AV IN 1 | |
| 3 AUDIO OUT (R/L) | 9 EX-LINK | |
| 4 PC IN[PC]/[AUDIO] | 10 HDMI IN 3 | |
| 5 DVI IN (HDMI 2) (AUDIO-R/L) | 11 WISELINK | |
| 6 HDMI IN 1, 2 | 12 AV IN 2 | |

Video Input Performance Comparison






	HDMI/DVI	Best
	PC/COMPONENT	Better
	S-VIDEO	Good
	VIDEO	Normal



Audio Output Performance Comparison

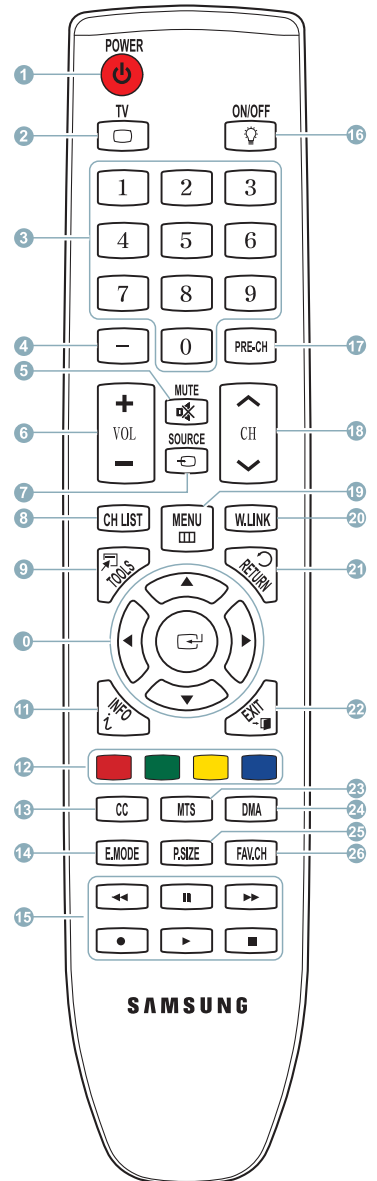
	OPTICAL (Digital)	Best
	AUDIO (Analog)	Normal

Remote Control Buttons

See "Remote Control" in the owner's instructions for details.

- 1 **POWER**
Turns the TV on and off.
- 2 **TV**
Selects the TV mode directly.
- 3 **NUMERIC BUTTONS**
Press to change the channel.
- 4 
Press to select additional channels (digital and analog) being broadcast by the same station. For example, to select channel "54-3", press "54", then press " " and "3".
- 5  **MUTE**
Press to temporarily cut off the sound.
- 6  **VOL**
Press to increase or decrease the volume.
- 7 **SOURCE**
Press to display and select the available video sources.
- 8 **CH LIST**
Used to display Channel Lists on the screen.
- 9 **TOOLS**
Use to quickly select frequently used functions.
- 10 **UP ▲ / DOWN ▼ / LEFT ◀ / RIGHT ▶ / ENTER**
Use to select on-screen menu items and change menu values.
- 11 **INFO**
Press to display information on the TV screen.
- 12 **COLOR BUTTONS**
Use these buttons in the Channel list and WISELINK.
- 13 **CC**
Controls the caption decoder.
- 14 **E.MODE**
Press to select the preset display and sound modes for sports, cinema and games.
- 15 Use these buttons in the DMA, WISELINK and Anynet+ modes.
(): This remote can be used to control recording on Samsung recorders with the Anynet+ feature)

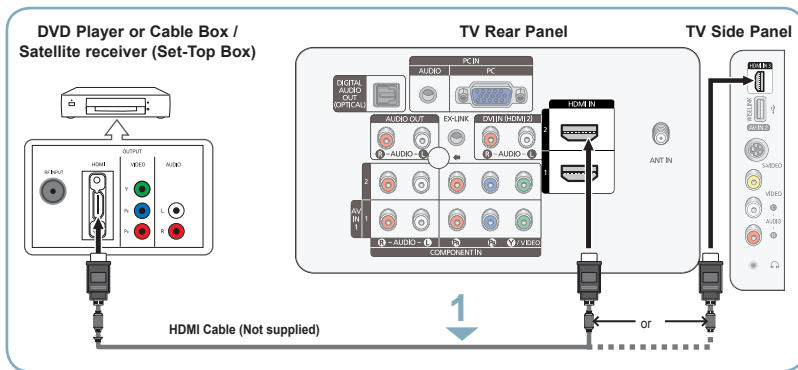
- 16  **ON/OFF**
Press to backlight the buttons on the remote.
This function is convenient for using at night or when the room is dark.
(Using the remote control with the light button set to On will reduce the battery usage time.)
- 17 **PRE-CH**
Tunes to the previous channel.
- 18  **CH**
Press to change channels.
- 19 **MENU**
Displays the main on-screen menu.
- 20 **W.LINK(WISELINK)**
This function enables you to view and play photo and music files from an external device.
- 21 **RETURN**
Returns to the previous menu.
- 22 **EXIT**
Press to exit the menu.
- 23 **MTS**
Press to choose stereo, mono or Separate Audio Program (SAP broadcast).
- 24 **DMA (Digital Media Adapter)**
Use this when connecting a Samsung DMA device through an HDMI interface and switching to DMA mode.
For more information on the operating procedures, refer to the user manual of the DMA.
➤ This button is available when "Anynet(HDMI-CEC)" is "On". (see page 87 of the owner's manual)
- 25 **P.SIZE**
Picture size selection.
- 26 **FAV.CH**
Press to switch to your favorite channels.



- The performance of the remote control may be affected by bright light.
- Using the remote control to set the light button to "On" will reduce the battery usage time.

Connecting a DVD Player or Cable Box / Satellite receiver (Set-Top Box)

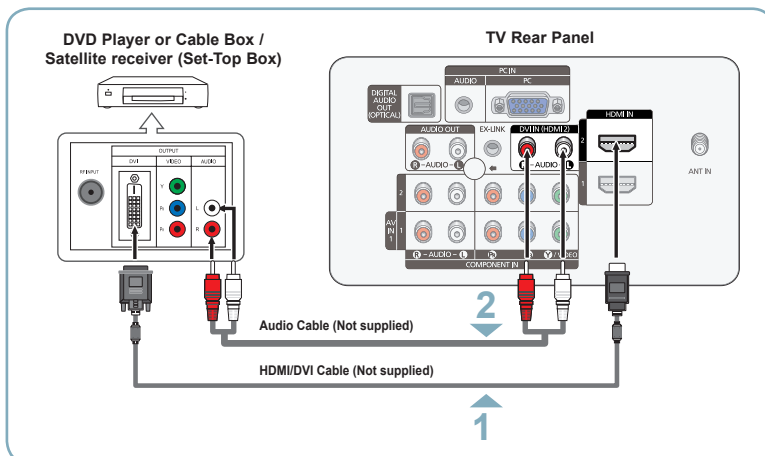
Connecting to HDMI (High Definition Multimedia Interface)



- 1 Connect an HDMI Cable between the HDMI IN (1, 2 or 3) jack on the TV and the HDMI jack on the DVD Player or Cable Box / Satellite receiver (Set-Top Box).
- 2 Press the **SOURCE** button on the remote control until you see the Set-Top/Cable Box signal (see "Viewing an External Signal Source" on page 11).

- Please make sure the HDMI source's (Set-Top/Cable Box) power is on before selecting HDMI from the **Source List** on the TV. What is HDMI?
 - HDMI, or high-definition multimedia interface, is an interface that enables the transmission of digital audio and video signals using a single cable.
 - The difference between HDMI and DVI is that the HDMI device is smaller in size and has the HDCP (High Bandwidth Digital Copy Protection) coding feature installed.
- Each DVD Player or Cable Box / Satellite receiver (Set-Top Box) has a different back panel configuration.
- The TV may not output sound and pictures may be displayed with abnormal color when DVD Player or Cable Box / Satellite receivers supporting HDMI versions older than 1.3 are connected. When connecting an older HDMI cable and there is no sound, connect the HDMI cable to the HDMI IN 2 jack and the audio cables to the DVI IN (HDMI2) [R-AUDIO-L] jacks on the back of the TV. If this happens, contact the company that provided the DVD Player or Cable Box / Satellite receiver to confirm the HDMI version, then request an upgrade.
- HDMI cables that are not 1.3 may cause annoying flicker or no screen display.

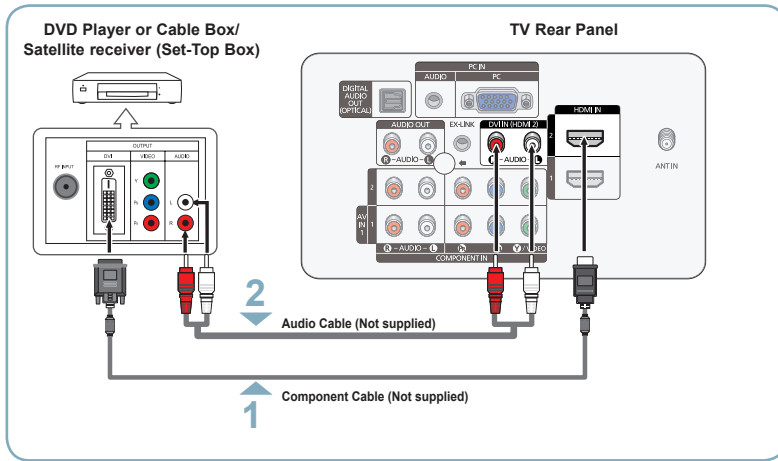
Connecting to DVI (Digital Visual Interface)



- 1 Connect a HDMI/DVI Cable or DVI-HDMI Adapter between the HDMI IN 2 jack on the TV and the DVI jack on the DVD Player or Cable Box / Satellite receiver (Set-Top Box).
 - 2 Connect Audio Cables between the DVI IN (HDMI 2) [R-AUDIO-L] jack on the TV and the DVD Player or Cable Box / Satellite receiver (Set-Top Box).
 - 3 Press the **SOURCE** button on the remote control until you see the Set-Top/Cable Box signal (see "Viewing an External Signal Source" on page 11).
- Each DVD Player or Cable Box / Satellite receiver (Set-Top Box) has a different back panel configuration.
 - When connecting a DVD Player or Cable Box / Satellite receiver (Set-Top Box), match the color of the connection terminal to the cable.
 - When using an HDMI / DVI cable connection, you must use the HDMI IN 2 jack.

Continued...

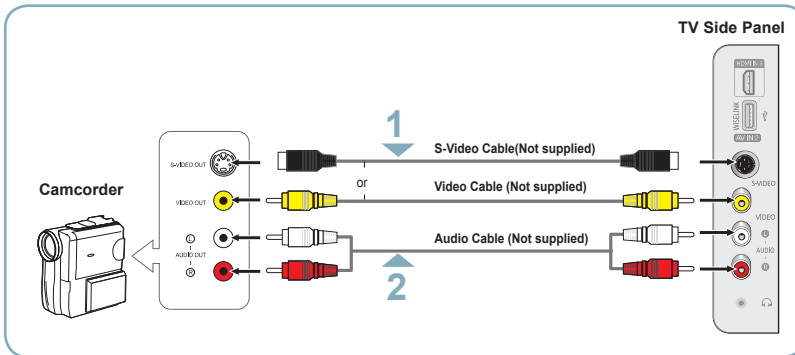
Connecting to Y, P_B, P_R



- 1 Connect a Component Cable between the COMPONENT IN (1 or 2) [Y, P_B, P_R] jacks on the TV and the COMPONENT [Y, P_B, P_R] jacks on the DVD Player or Cable Box / Satellite receiver (Set-Top Box).
- 2 Connect Audio Cables between the COMPONENT IN (1 or 2) [R-AUDIO-L] jacks on the TV and the AUDIO OUT jacks on the DVD Player or Cable Box / Satellite receiver (Set-Top Box).
- 3 Press the **SOURCE** button on the remote control until you see the Set-Top/Cable Box signal (see "Viewing an External Signal Source" on page 11).

- Component video separates the video into Y (Luminance (brightness)), P_B (Blue) and P_R (Red) for enhanced video quality. Be sure to match the component video and audio connections. For example, if connecting the video cable to COMPONENT IN, connect the audio cable to COMPONENT IN also.
- Each DVD Player or Cable Box / Satellite receiver (Set-Top Box) has a different back panel configuration.
- When connecting a DVD Player or Cable Box / Satellite receiver (Set-Top Box), match the color of the connection terminal to the cable.

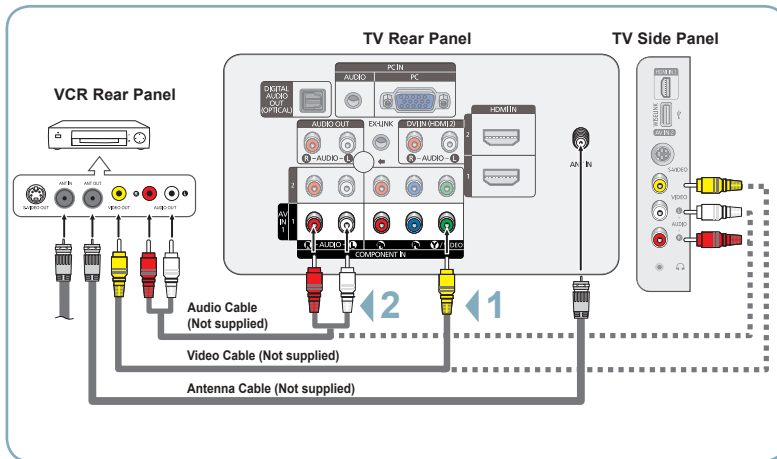
Connecting a Camcorder



- 1 Locate the A/V output jacks on the camcorder.
- 2 Connect a Video Cable (or S-Video Cable) between the AV IN 2 [VIDEO] (or S-VIDEO) jack on the TV and the VIDEO OUT jack on the Camcorder.
- 3 Connect Audio Cables between the AV IN 2 [L-AUDIO-R] jacks on the TV and the AUDIO OUT jacks on the Camcorder.
- 4 Press the **SOURCE** button on the remote control until you see the Camcorder signal (see "Viewing an External Signal Source" on page 11).

- Each Camcorder has a different back panel configuration.
- When connecting a Camcorder, match the color of the connection terminal to the cable.

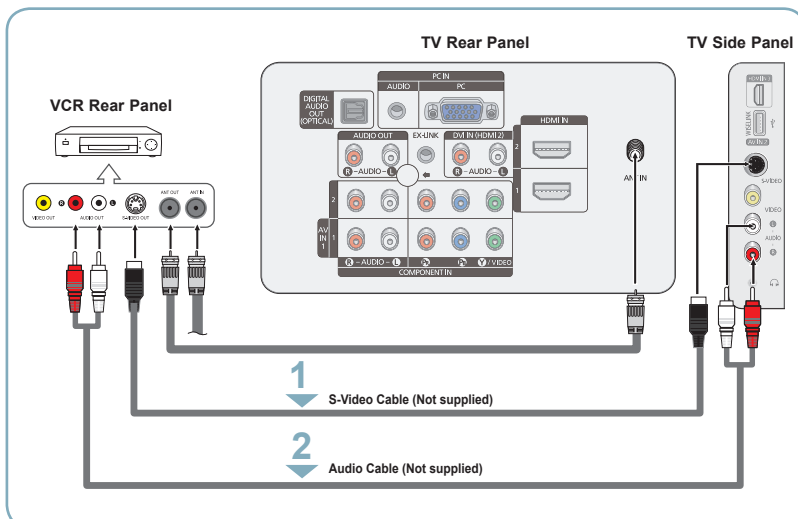
Connecting a VCR



- 1** Unplug the cable or antenna from the back of the TV. Connect the cable or antenna to the ANT IN terminal on the back of the VCR. Connect an Antenna Cable between the ANT OUT terminal on the VCR and the **ANT IN** terminal on the TV.
- 2** Connect a Video Cable between the VIDEO OUT jack on the VCR and the AV IN 1 [Y/VIDEO] or AV IN 2 [VIDEO] jack on the TV.
- 3** Connect Audio Cables between the AUDIO OUT jacks on the VCR and the AV IN 1 (or AV IN 2) [R-AUDIO-L] jacks on the TV.
- 4** Press the **SOURCE** button on the remote control until you see the VCR signal (see "Viewing an External Signal Source" on page 11).

- If you have a "mono" (non-stereo) VCR, use a Y-connector (not supplied) to hook up to the right and left audio input jacks of the TV. If your VCR is stereo, you must connect two cables.
- Each VCR has a different back panel configuration.
- When connecting a VCR, match the color of the connection terminal to the cable.
- When connecting to AV IN 1, the color of the AV IN 1 [Y/VIDEO] jack (Green) does not match the color of the video cable (Yellow).

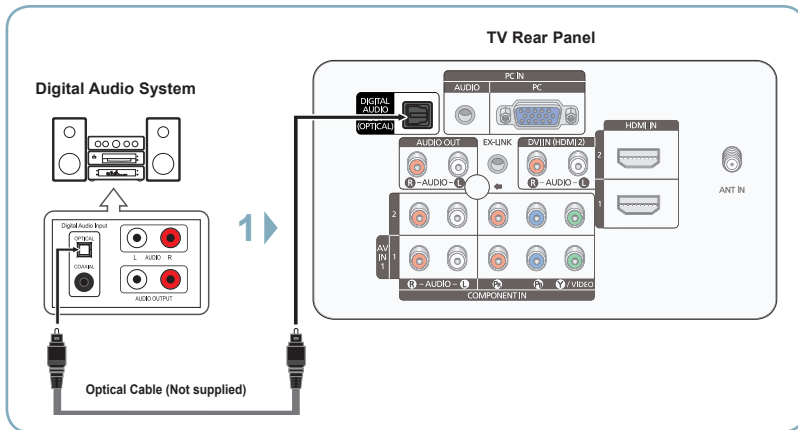
Connecting a S-Video



- 1** To begin, follow steps 1 in the previous section to connect the antenna or cable to your VCR and your TV.
- 2** Connect an S-Video Cable between the S-VIDEO OUT jack on the VCR and the AV IN 2 [S-VIDEO] jack on the TV.
- 3** Connect Audio Cables between the AUDIO OUT jacks on the VCR and the AV IN 2 [R-AUDIO-L] jacks on the TV.
- 4** Press the **SOURCE** button on the remote control until you see the VCR signal (see "Viewing an External Signal Source" on page 11).

- An S-Video may be included with your VCR. (If not, check your local electronics store.)
- Each VCR has a different back panel configuration.
- When connecting a VCR, match the color of the connection terminal to the cable.

Connecting a Digital Audio System

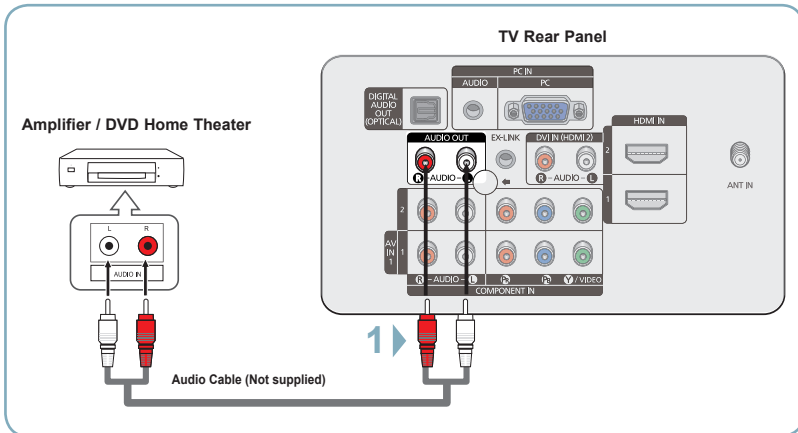


- 1 Connect an Optical Cable between the DIGITAL AUDIO OUT (OPTICAL) jacks on the TV and the Digital Audio Input (OPTICAL) jacks on the Digital Audio System. When a Digital Audio System is connected to the "DIGITAL AUDIO OUT (OPTICAL)" jack: Decrease the volume of the TV, and adjust the volume level with the system's volume control.

➤ OPTICAL: converts the electric signal into an optical light signal, and transmits it through glass fibers.

- 5.1CH audio is possible when the TV is connected to an external device supporting 5.1CH.
- Each Digital Audio System has a different back panel configuration.
- When the receiver (home theater) is set to On, you can hear sound output from the TV's Optical jack. When the TV is displaying a DTV(air) signal, the TV will send out 5.1 channel sound to the Home theater receiver. When the source is a digital component such as a DVD and is connected to the TV via HDMI, only 2 channel sound will be heard from the Home Theater receiver. If you want to hear 5.1 channel audio, connect the DIGITAL AUDIO OUT (OPTICAL) jack on the DVD player or Cable/Satellite Box directly to an Amplifier or Home Theater, not the TV.

Connecting an Amplifier / DVD Home Theater



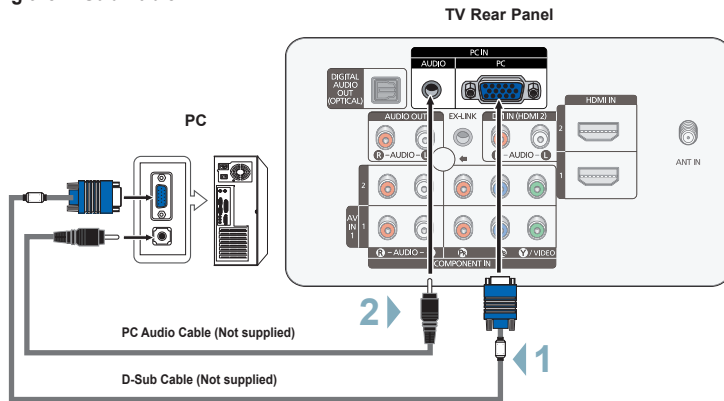
- 1 Connect Audio Cables between the AUDIO OUT [R-AUDIO-L] jacks on the TV and AUDIO IN [L-AUDIO-R] jacks on the Amplifier/DVD Home Theater. When an audio amplifier is connected to the AUDIO OUT [R-AUDIO-L] jacks terminals : Decrease the volume of the TV, and adjust the volume level with the Amplifier's volume control.

➤ Each Amplifier / DVD Home Theater has a different back panel configuration.

➤ When connecting an Amplifier / DVD Home Theater, match the color of the connection terminal to the cable.

Connecting a PC

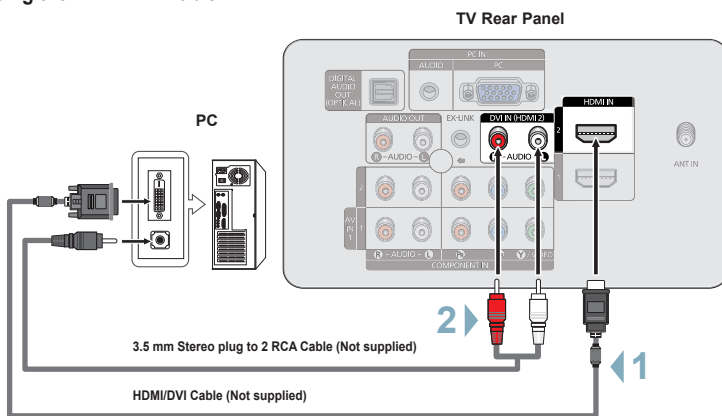
Using the D-Sub Cable



Using the D-Sub Cable

- 1 Connect a D-Sub cable between the PC IN [PC] jack on the TV and the PC output jack on your computer.
 - 2 Connect a PC Audio cable between the PC IN [AUDIO] jack on the TV and the Audio Out jack of the sound card on your computer.
- When connecting a PC match the color of the connection terminal to the cable.

Using the HDMI/DVI Cable



Using the HDMI/DVI Cable

- 1 Connect a HDMI/DVI cable between the [HDMI IN 2] jack on the TV and the PC output jack on your computer.
 - 2 Connect a 3.5 mm Stereo plug to 2 RCA cable between the DVI IN (HDMI 2) [R-AUDIO-L] jacks on the TV and the Audio Out jack of the sound card on your computer.
- When connecting a PC match the color of the connection terminal to the cable.

- Each PC has a different back panel configuration.
- When using an HDMI/DVI cable connection, you must use the HDMI IN 2 terminal.

Turning the TV On and Off

Press the **POWER** button on the remote control. The TV will be turned on and you will be able to use its features. You can also use the Power button on the front of the TV

- If your TV isn't turned on when the Power button is pressed: Press the **TV** button to check if the TV mode has been chosen.

Viewing the Menus and Displays

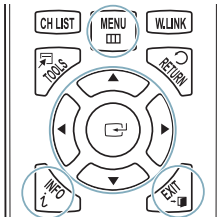
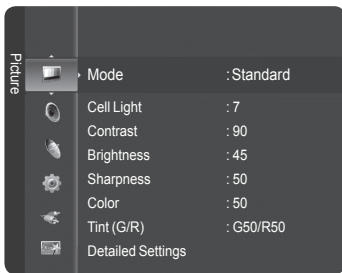
Your TV has a simple, easy-to-use menu system that appears on the screen. This system makes it convenient and fast to use the TV's features.

The TV also displays the status of many features.

Viewing the Menus

- 1 With the power on, press the **MENU** button. The main menu appears on the screen. The menu's left side has icons: **Picture, Sound, Channel, Setup, Input, Application**.
- 2 Press the **▲** or **▼** button to select one of the icons. Then press the **ENTER** button to access the icon's sub-menu from the menu. Press the **EXIT** button to exit.

- It takes about one minute until the on-screen menu disappears.



Displaying Status Information

Press the **INFO** button on the remote control. The TV will display the channel, the type of sound, and the status of certain picture and sound settings.

- The information window automatically disappears after a few seconds. Press the **INFO** button once to manually close the window.

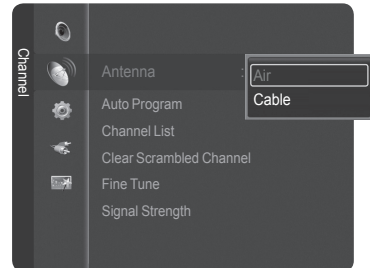


Memorizing the Channels

Selecting the Video Signal-source

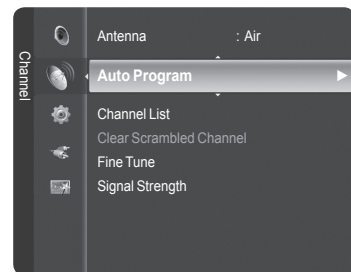
Before your television can begin memorizing the available channels, you must specify the type of signal source that is connected to the TV (i.e., an air or a cable system).

- 1 Press the **MENU** button to display the menu. Press the **▲** or **▼** button to select **Channel**, then press the **ENTER** button.
- 2 Press the **ENTER** button to select **Antenna**. Press the **▲** or **▼** button to select **Air** or **Cable**, then press the **ENTER** button. Press the **EXIT** button to exit.

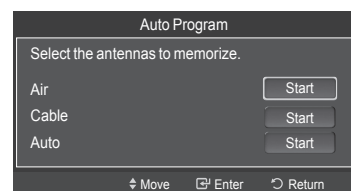


Storing Channels in Memory (Automatic Method)

- 1 Press the **MENU** button to display the menu. Press the **▲** or **▼** button to select **Channel**, then press the **ENTER** button.
- 2 Press the **▲** or **▼** button to select **Auto Program**, then press the **ENTER** button.

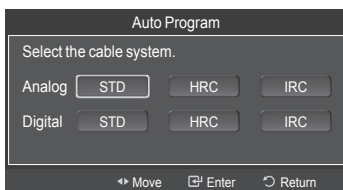


- 3 Press the **▲** or **▼** button to select an antenna connection, then press the **ENTER** button.
 - **Air:** Air antenna signal.
 - Cable:** Cable antenna signal.
 - Auto:** Air and Cable antenna signals.

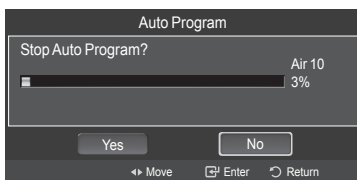


Continued...

- 4** When selecting the Cable TV system: Press the **ENTER** button to start the auto program. Press the **▲**, **▼**, **◀**, **▶** to select the correct analog signal cable system source among **STD**, **HRC**, and **IRC**, then press the **ENTER** button. If you have Digital cable TV, select the cable system signal source for both Analog and Digital.
- **STD**, **HRC**, and **IRC** identify various types of cable TV systems. Contact your local cable company to identify the type of cable system that exists in your particular area. At this point the signal source has been selected.



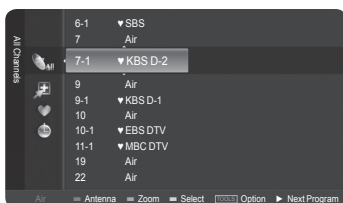
- 5** The TV begins memorizing all available stations. If you want to stop Auto Programming, press the **ENTER** button. The **Stop Auto Program?** message will be displayed. Select **Yes** by pressing the **◀** or **▶** button, then press the **ENTER** button.



- The TV must be connected to an antenna/cable in order to receive digital TV signals. Even if a particular channel is deleted from the memory, you can always tune to that channel directly by using the number buttons on the remote control.

Viewing All Channels

- 1** Press the **MENU** button to display the menu. Press the **▲** or **▼** button to select **Channel**, then press the **ENTER** button.
- 2** Press the **▲** or **▼** button to select **Channel List**, then press the **ENTER** button. Press the **◀** button to select **Added Channels**.
- 3** Press the **▲** or **▼** button to select **All Channels**, then press the **ENTER** button. Shows all currently available channels. Press the **▲** or **▼** button to select a channel to view, then press the **ENTER** button.

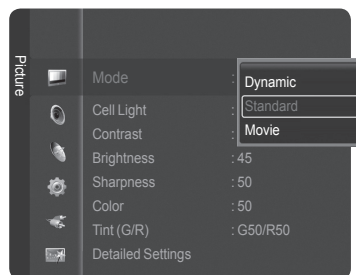


Picture Control

You can select the type of picture which best corresponds to your viewing requirements.

Changing the Picture Standard

- 1** Press the **MENU** button to display the menu. Press the **ENTER** button to select **Picture**. Press the **ENTER** button to select **Mode**. Press the **▲** or **▼** button to select **Dynamic**, **Standard**, or **Movie**, then press the **ENTER** button.



Picture Mode

- **Dynamic:** Select the picture for high-definition in a bright room.
- **Standard:** Select the picture for the optimum display in the normal environment.
- **Movie:** Select the picture for viewing movies in a dark room.

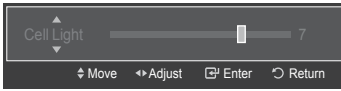
Customizing the Picture Settings

- 1** To select the desired picture mode, follow the "Changing the Picture Standard" instructions number 1.
- 2** Press the **▲** or **▼** button to select **Cell Light**, **Contrast**, **Brightness**, **Sharpness**, **Color**, or **Tint (G/R)**, then press the **ENTER** button.



Continued...

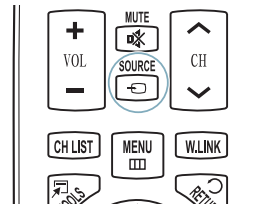
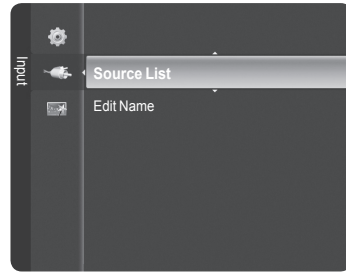
- 3** Press the ◀ or ▶ button to decrease or increase the value of a particular item. Press the **ENTER** button. Press the **EXIT** button to exit.



- • When you make changes to **Cell Light**, **Contrast**, **Brightness**, **Sharpness**, **Color**, or **Tint (G/R)** the OSD will be adjusted accordingly.
- When in **PC** mode, **Tint(G/R)**, **Sharpness** and **Color** are not available.
- Each adjusted setting will be stored separately according to its input mode.
- **Cell Light**: Selects the brightness of PDP Cell Light.
- **Contrast**: Adjusts the contrast level of the picture.
- **Brightness**: Adjusts the brightness level of the picture.
- **Sharpness**: Adjusts the edge definition of the picture.
- **Color**: Adjusts color saturation of the picture.
- **Tint(G/R)**: Adjusts the color tint of the picture by compensating the red and green color

To Select the Source

- 1** Press the **MENU** button. Press the ▲ or ▼ button to select **Input**, then press the **ENTER** button.



- 2** Press the **ENTER** button again to select **Source List**. Press the ▲ or ▼ button to select a signal source, then press the **ENTER** button.



- Available signal sources: **TV**, **AV1**, **AV2**, **S-Video**, **Component1**, **Component2**, **PC**, **HDMI1**, **HDMI2/DVI**, **HDMI3**, **USB**.
- You can choose only those external devices that are connected to the TV.
In the Source List, connected inputs will be highlighted and sorted to the top. Inputs that are not connected will be sorted to the bottom.
- Using the Color buttons on the remote with the Source list.
 - **Red (Refresh)**: Refreshes the connecting external devices.
 - **TOOLS (Option)**: Displays the **Edit Name** and **Information** menus.

Troubleshooting

If the TV seems to have a problem, first try this list of possible problems and solutions.
If none of these troubleshooting tips apply, call your nearest Samsung service center.

Problem	Possible Solution
Poor picture quality.	<ul style="list-style-type: none"> - Try another channel. - Adjust the antenna. - Check all wire connections.
Poor sound quality.	<ul style="list-style-type: none"> - Try another channel. - Adjust the antenna.
No picture or sound.	<ul style="list-style-type: none"> - Try another channel. - Press the SOURCE button. - Make sure the TV is plugged in. - Check the antenna connections. - Make sure the MUTE button is off.
No sound or sound is too low at maximum volume.	First, check the volume of units connected to your TV (digital broadcasting receiver, DVD, cable broadcasting receiver, VCR, etc.). Then, adjust the TV volume accordingly.
Picture rolls vertically.	Check all connections.
The TV operates erratically.	Unplug the TV for 30 seconds, then try operating it again.
The TV won't turn on.	Make sure the wall outlet is working.
Remote control malfunctions	<ul style="list-style-type: none"> - Replace the remote control batteries. - Clean the upper edge of the remote control(transmission window). - Check the battery terminals. - Make sure the remote has batteries. - Check that the "+" and "-" ends of the batteries are inserted correctly.
Digital broadcasting screen problem.	Please check the digital signal strength and input antenna.
The image is too light or too dark.	<ul style="list-style-type: none"> - Adjust the Brightness and Contrast. - Adjust the Fine tuning.
The image is too large or too small.	Adjust the Size settings.
The visual qualities of digital channels vary.	<p>The visual qualities of digital channels may vary depending on the original production method(analog or digital).</p> <ul style="list-style-type: none"> - If the original production method is digital: High visual quality. - If the original production method is analog: The digital program displayed on the screen is originally an analog program which has been converted to digital. <p>The visual quality is of an SD(Standard Definition) grade.</p>
Screen is black and power indicator light blinks steadily.	<p>On your computer check; Power and Signal Cable. The TV is using its power management system. Move the computer's mouse or press any key on the keyboard.</p> <p>On your equipment check (STB, DVD, etc) ; Power and Signal Cable. The TV is using its power management system. Press the Source button on the panel or remote control. Turn the TV off and on.</p>
Although the TV caption shows HD, the visual quality is not satisfactory.	The HD(High Definition) caption that appears when switching channels or when pressing the Information button on the remote control means the selected channel is a digital channel. If the broadcasting station converts an analog signal into digital and transmits the signal, the visual quality may not be perfect.
A distorted picture appears in the corner of the screen.	If Just Scan is selected in some external devices, a distorted picture may appear in the corner of the screen. This symptom is caused by external devices, not the TV.
A strange sound is heard.	This is caused by minor systems operation and is not a defect.
Pixels are visible on the screen.	There may be few bright or dark pixels on the screen. These pixels will have no impact on the performance of the product.
The "Resets all settings to the default values" message appears.	This appears when you press and hold the EXIT button for a while. The product settings are reset to the factory defaults.



Contact SAMSUNG WORLD-WIDE

If you have any questions or comments relating to Samsung products, please contact the SAMSUNG customer care center.

Country	Customer Care Center ☎	Web Site	Address
CANADA	1-800-SAMSUNG (7267864)	www.samsung.com/ca	Samsung Electronics Canada Inc., Customer Service 55 Standish Court Mississauga, Ontario L5R 4B2 Canada
			Samsung Electronique Canada Inc., Service à la Clientèle 55 Standish Court Mississauga, Ontario L5R 4B2 Canada
U.S.A	1-800-SAMSUNG (7267864)	www.samsung.com	Samsung Electronics America, Inc. 105 Challenger Road Ridgely Park, NJ 07660-0511



BN68-01363C-00