

# Electric Range

## installation manual

imagine the possibilities

Thank you for purchasing this Samsung product.

**SAMSUNG**

# contents

---

## **PREPARING TO INSTALL THE RANGE**

3

- 3 About this section
- 3 For your safety
- 4 Remove packaging
- 4 Prepare tools & Parts
- 5 Checking the installation site
- 7 To avoid breakage

## **CONNECTING THE POWER**

8

- 8 Step 1. Meeting electrical connection requirements
- 9 Step 2. Accessing the power cord connection
- 10 Step 3. Installing the power cord
- 13 Step 4. Installing the conduit
- 16 Step 5. Replacing the access cover

## **INSTALLING THE RANGE**

17

- 17 Installing the anti-tip device
- 19 Finalizing the installation

# preparing to install the range

---

## ABOUT THIS SECTION

---

**READ THESE INSTRUCTIONS COMPLETELY AND CAREFULLY.**

### Important note to the installer

---

- Read all instructions contained in these installation instructions before installing the range.
- Remove all packing materials from the oven compartments before connecting the electrical supply to the range.
- Observe all governing codes and ordinances.
- Be sure to leave these instructions with the consumer.

### Important note to the consumer

---

#### **Keep these instructions for the local electrical inspector's use.**

- As when using any appliance generating heat, there are certain safety precautions you should follow.
- Be sure your range is installed and grounded properly by a qualified installer or service technician.
- Make sure the wall coverings around the range can withstand the heat generated by the range.
- To eliminate the need to reach over the surface elements, avoid having cabinet storage space above the cooktop.
- The range should not be placed on a base.

## FOR YOUR SAFETY

---



**WARNING** If the information in this manual is not followed exactly, a fire or electrical shock may result causing property damage, personal injury, or death.

---



**WARNING** Before beginning the installation, switch the power off at the service panel and lock the service disconnecting switch to prevent power from being switched on accidentally. When the service disconnecting switch cannot be locked, securely fasten a prominent warning device, such as a tag, to the service panel.

---



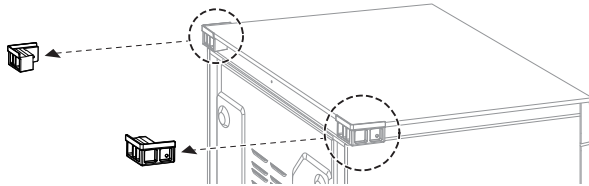
**WARNING** This appliance must be properly grounded.

---

## REMOVE PACKAGING

---

Remove the packaging materials. Remove the supporter frame located on the back of the cooktop glass. Failure to remove packaging materials could result in damage to the appliance.

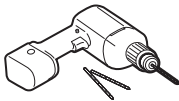


## PREPARE TOOLS & PARTS

---

### The tools you will need

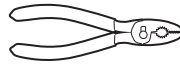
---



Drill



Adjustable Wrench



Pliers



1/4" Nut Driver



Phillips Screwdriver



Flat Screwdriver



Pencil



Level

### What's included with your range

---



Template



Anti-Tip Bracket



Screws (short:2 ea,  
long:2 ea)



Filler Kit & Screws  
(3 ea)

### Additional materials you may need

---



**4-Wire Cord or 3-Wire Cord**  
(UL Approved 40 or 50 AMP)



**Strain Relief**  
(For Conduit Installation Only)

# CHECKING THE INSTALLATION SITE

## Clearances and dimensions

To install the range, refer to the following figure.



**CAUTION** This range has been designed to comply with the maximum allowable wood cabinet temperatures of 194 °F. Make sure the wall covering, countertops, and cabinets around the range can withstand the heat (up to 194 °F) generated by the range. If not, discoloration, delamination, or melting may occur.

### SLIDE-IN CUTOUT

**A : Cabinet opening** min 30" (76.2 cm)  
**B : Acceptable electrical outlet area**

★ If your cabinets are over 36-3/4" high, you must install this range on a hard, heat resistant support that raises the surface of the range so that it is about even with the countertop.

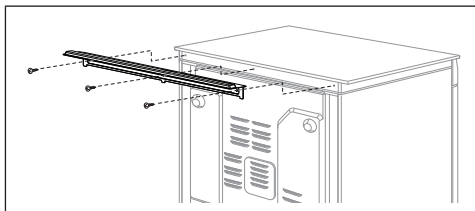
### FREESTANDING CUTOUT



**CAUTION** You must use the rear filler kit to install the range in a freestanding cutout cabinet. For more information, see "Optional rear filler kit" as shown below.

## Optional rear filler kit

Used to fill gap between the range back and wall. Adds a filler strip to the rear of the range. This kit can only be used when the opening in the countertop is 25" deep.



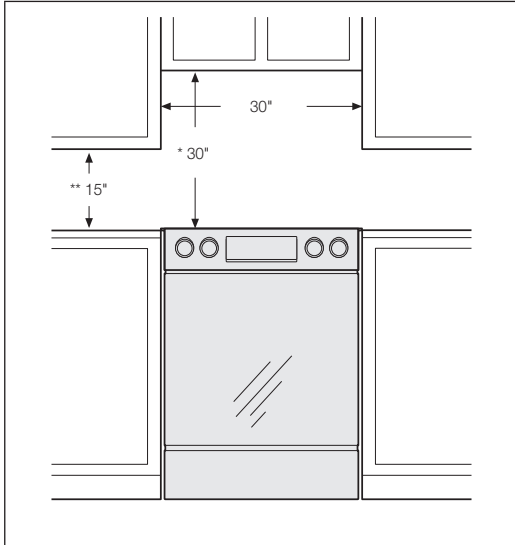
If the countertop depth is greater than 25", there will be a gap between the filler kit and the back wall.

## Minimum dimensions

---

**★ IMPORTANT** To eliminate the risk of burns or fire caused by reaching over heated surface units, avoid having cabinet storage space located above the surface units. If you have cabinet storage space over the heating elements, you can reduce the risk by installing a range hood that projects horizontally a minimum of 5 inches beyond the bottom of the cabinets.

---



\* A minimum of 30" is required between the top of the cooking surface and the bottom of an unprotected wood or metal cabinet; a minimum of 24" is required if the bottom of the wood or metal cabinet is protected by not less than 1/4" of flame retardant millboard covered with not less than no.28 MSG of sheet steel, 0.015" of stainless steel, 0.024" of aluminum, or 0.020" of copper.

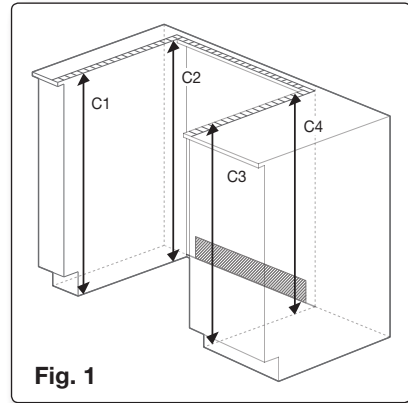
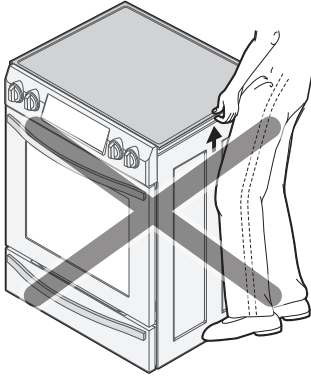
\*\* A minimum of 15" is required between the countertop and the adjacent cabinet bottom.

## TO AVOID BREAKAGE



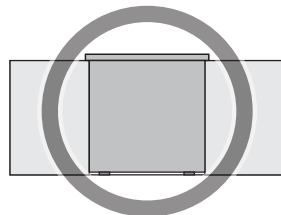
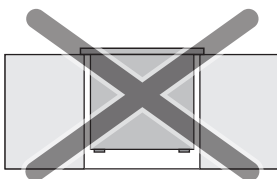
### CAUTION

Do NOT lift or handle the unit by the cooktop glass.



1. The counter top around the cut-out should be flat and leveled (see hatched area on Fig. 1).
2. Before installing the unit, measure the heights of the two cabinet sides (C1~C4), front and back (See Fig. 1) from the floor to the top of the counter.
3. Level the range using the four leveling legs so that the height from the floor to the underside of the cooktop glass frame is greater than the tallest cabinet measurement by at least 1/16".
4. Remove the Support Frames on the back left and back right of the glass cooktop (Refer to page 4).
5. Slide the unit into the cabinet (**DO NOT PUSH THE UNIT HARD**). Make sure the center of the unit aligns with the center of the cabinet cut-out.
6. The cooktop glass frame under the cooktop glass **MUST** sit above the cabinet countertop so the unit is supported by its leveling legs. The cooktop glass should **NOT** directly touch the countertop. If the cooktop glass is touching the countertop, it could break, voiding the warranty.

**★ IMPORTANT** **MAKE SURE** the unit is supported by the leveling legs and **NOT** by the cooktop itself. The cooktop glass must sit above the surface of the countertops.



# connecting the power

---

## STEP 1. MEETING ELECTRICAL CONNECTION REQUIREMENTS

---



**CAUTION** For personal safety, do not use an extension cord with this appliance. Remove the house fuse or open the circuit breaker before beginning installation.

---

This appliance must be supplied with the proper voltage and frequency, and be connected to an individual, properly grounded branch circuit, protected by a circuit breaker or fuse having amperage as specified on the rating plate. The rating plate is located above the drawer on the oven frame. **(Fig. 1 or Fig. 2)**

We recommend you have the electrical wiring and hookup of your range connected by a qualified electrician. After installation, have the electrician show you where your main range disconnect is located.

Check with your local utilities for electrical codes which apply in your area. Failure to wire your oven according to governing codes could result in a hazardous condition. If there are no local codes, your range must be wired and fused to meet the requirements of the National Electrical Code, ANSI/NFPA No. 70–Latest Edition. You can get a copy by writing:

National Fire Protection Association  
Batterymarch Park  
Quincy, MA 02269



**(Fig. 1)**



**(Fig. 2)**

**Effective January 1, 1996, the National Electrical Code requires that new construction (not existing) utilize a 4-conductor connection to an electric range.**

**When installing an electric range in new construction, follow Steps 2 and 3 for a 4-wire connection.**

You must use a 3-wire or 4-wire, single-phase A.C. 208Y/120 Volt or 240/120 Volt, 60 hertz electrical system.

If the electrical service provided does not meet the above specifications, have a licensed electrician install an approved outlet.

Use only a 3-conductor or a 4-conductor UL-listed range cord. These cords may be provided with ring terminals on the wire and a strain relief device.



A range cord rated at 40 amps with 125/250 minimum volt range is required. A 50 amp range cord is not recommended but if used, it should be marked for use with nominal 1 $\frac{3}{8}$ " diameter connection openings. Care should be taken to center the cable and strain relief within the knockout hole to keep the edge from damaging the cable.

- Because range terminals are not accessible after the range is in position, a flexible service conduit or cord must be used.

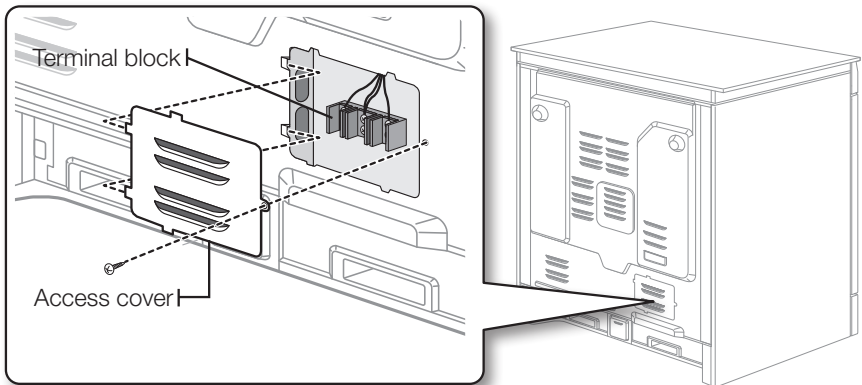
 **NOTE** If conduit is being used, go to Step 4 on page 12.



**ALL NEW BRANCH-CIRCUIT CONSTRUCTIONS, MOBILE HOMES, RECREATIONAL VEHICLES, AND INSTALLATIONS WHERE LOCAL CODES DO NOT ALLOW GROUNDING THROUGH NEUTRAL, REQUIRE A 4-CONDUCTOR UL-LISTED RANGE CORD.**

## STEP 2. ACCESSING THE POWER CORD CONNECTION

Loosen and then remove the rear access cover screw with a screwdriver. Remove the rear access cover by pull right and then out. The terminal block will then be accessible.



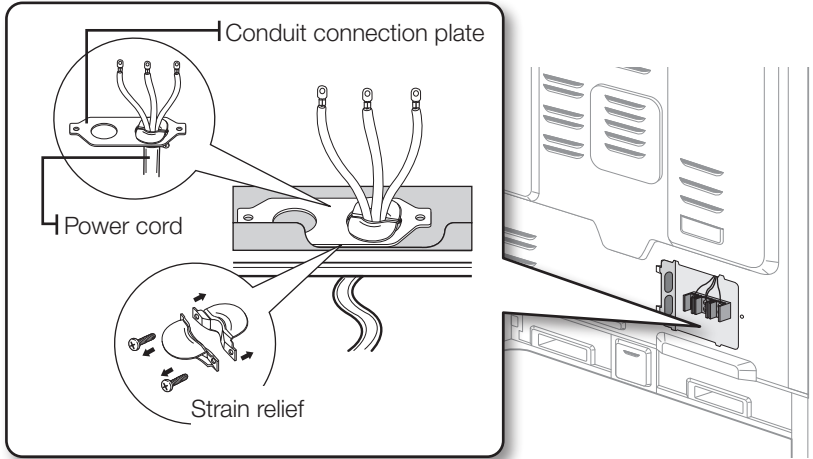
### Specified power-supply-cord kit rating

Range rating, watts		Specified rating of power-supply-cord kit, amperes	Diameter (inches) of range connection opening	
120/240 volts 3-wire	120/208 volts 3-wire		Power cord	Conduit
8750 - 16500	7801 - 12500	40 or 50 A	1 $\frac{3}{8}$ "	1 $\frac{1}{8}$ "

For power cord installations, go to page 10. For conduit installations, go to page 12.

## STEP 3. INSTALLING THE POWER CORD

For power cord installations, hook the strain relief over the power cord hole ( $1\frac{3}{8}$ " ) located below the rear of the drawer body. Insert the power cord through the strain relief and tighten the device.



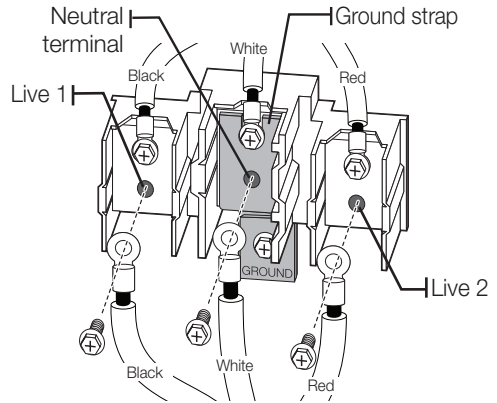
- **You must install the power cord with a strain relief.**
- Attach the strain relief to the  $1\frac{3}{8}$ " opening in the conduit connection plate.

## Installing a 3-wire power cord



**WARNING** The neutral or ground wire of the power cord must be connected to the neutral terminal located in the center of the terminal block. The power leads must be connected to the lower left and the lower right terminals of the terminal block.

1. Remove the 3 lower terminal screws from the terminal block.
2. Insert the 3 terminal screws through each power cord terminal ring and into the lower terminals of the terminal block. Be certain that the center wire (white/neutral) is connected to the center lower position of the terminal block.
3. Tighten screws securely to the terminal block. **DO NOT remove the ground strap connection.**
4. Go to **Step 5** on page 15 to continue with the installation.



**CAUTION** You must check voltage after connecting power cord.

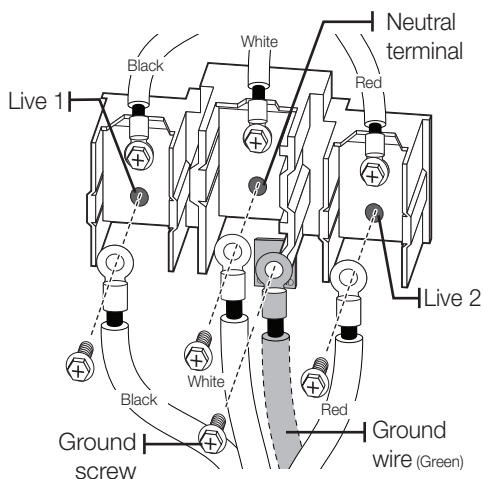
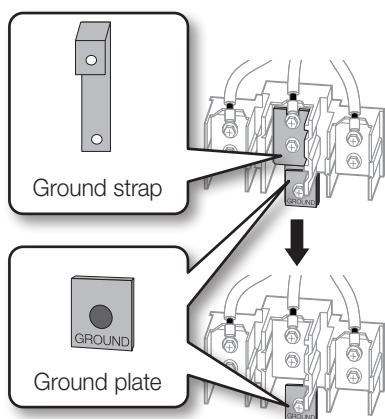
Live 1 - Neutral	120 V
Live 2 - Neutral	120 V
Live 1 - Live 2	208 V / 240 V

## Installing a 4-wire power cord



**WARNING** The neutral wire of the supply circuit must be connected to the neutral terminal located in the lower center of the terminal block. The power leads must be connected to the lower left and the lower right terminals of the terminal block. The 4th grounding lead must be connected to the frame of the range with the ground plate and the ground screw.

1. Remove the 3 lower terminal screws from the terminal block. Remove the ground screw and ground plate and retain them.
2. **Cut and discard the ground strap. Do not discard any screws.**
3. Insert the ground screw into the power cord ground wire terminal ring, through the ground plate, and into the frame of the range.
4. Insert the 3 terminal screws (removed earlier) through each power cord terminal ring and into the lower terminals of the terminal block. Be certain that the center wire (white/neutral) is connected to the center lower position of the terminal block. Tighten screws securely to the terminal block.
5. Go to **Step 5** on page 15 to continue with the installation.



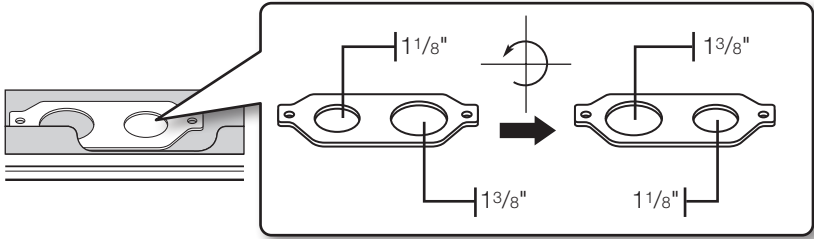
**CAUTION** You must check voltage after connecting power cord.

Live 1 - Neutral	120 V
Live 2 - Neutral	120 V
Live 1 - Live 2	208 V / 240 V

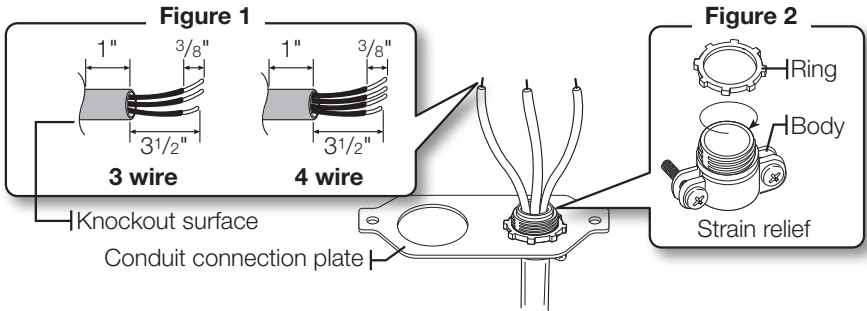
## STEP 4. INSTALLING THE CONDUIT

Remove the conduit connection plate and rotate it as shown below.

The conduit hole ( $1\frac{1}{8}$ "") must be used.



1. Prepare the conduit cord as shown in Figure 1.
2. Install the conduit cord as shown in Figure 2.

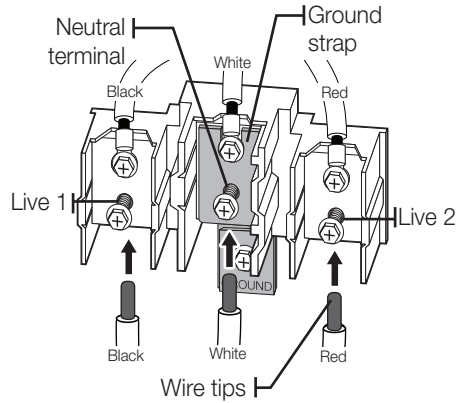


For conduit installations, insert the strain relief (not included) into the conduit hole ( $1\frac{1}{8}$ ""). Then thread the conduit cord through the body of the strain relief and fasten the ring. Reinstall the bracket.

## Installing a 3-wire conduit

- Aluminum building wire may be used but it must be rated for the correct amperage and voltage. Connect the wires as described below.
- The wire you use, the location and enclosure of splices, etc., must conform to good wiring practices and local codes.

1. Loosen the 3 lower terminal screws from the terminal block.
2. Insert the center bare wire (white/neutral) tip through the bottom center terminal block opening. On certain models, the wire will need to be inserted through the ground strap opening and then into the bottom center block opening.
3. Insert the two side bare wire tips into the lower left and the lower right terminal block openings.
4. Tighten the screws until the wire is firmly secured (35 to 50 inch-lbs.). Do not over-tighten the screws since it could damage the wires.
5. Go to **Step 5** on page 15 to continue with the installation.

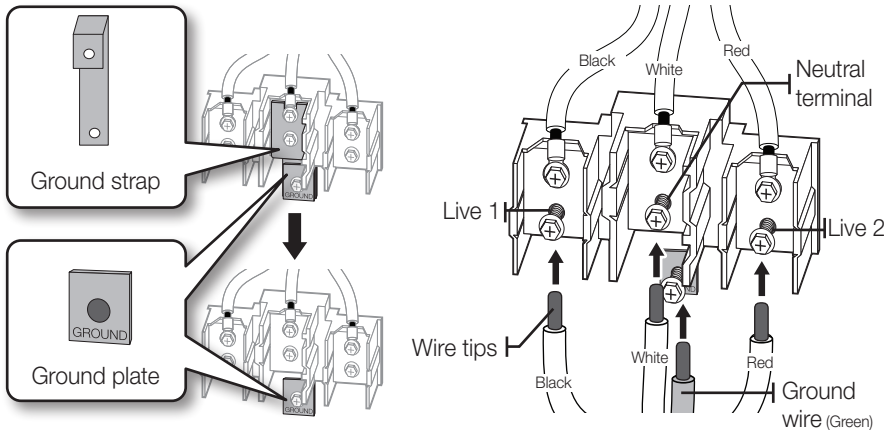


**CAUTION** You must check voltage after connecting power cord.

Live 1 - Neutral	120 V
Live 2 - Neutral	120 V
Live 1 - Live 2	208 V / 240 V

## Installing a 4-wire conduit

- Aluminum building wire may be used but it must be rated for the correct amperage and voltage to make the connection. Connect the wires as described below.
  - The wire you use, the location and enclosure of splices, etc., must conform to good wiring practices and local codes.
1. Loosen the 3 lower terminal screws from the terminal block. Remove the ground screw and ground plate and retain them.
  2. **Cut and discard the ground strap. Do not discard any screws.**
  3. Insert the ground bare wire tip between the range frame and the ground plate (removed earlier) and secure it in place with the ground screw (removed earlier).
  4. Insert the bare wire (white/neutral) tip through the bottom center of the terminal block opening.
  5. Insert the two side bare wire tips into the lower left and the lower right terminal block openings.
  6. Tighten the screws until the wire is firmly secured (35 to 50 inch-lbs.). Do not over-tighten the screws since it could damage the wires.
  7. Go to **Step 5** on page 15 to continue with the installation.



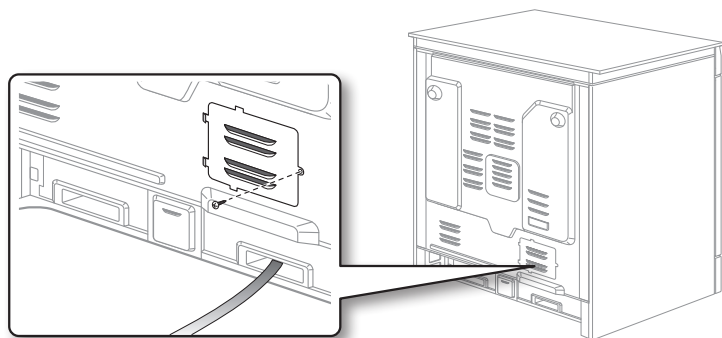
**CAUTION** You must check voltage after connecting power cord.

Live 1 - Neutral	120 V
Live 2 - Neutral	120 V
Live 1 - Live 2	208 V / 240 V

## STEP 5. REPLACING THE ACCESS COVER

---

To replace the rear access cover on the range back. Insert the double projections on the bottom of the cover into the pockets located below the opening, and then insert and tighten the rear access cover screw.





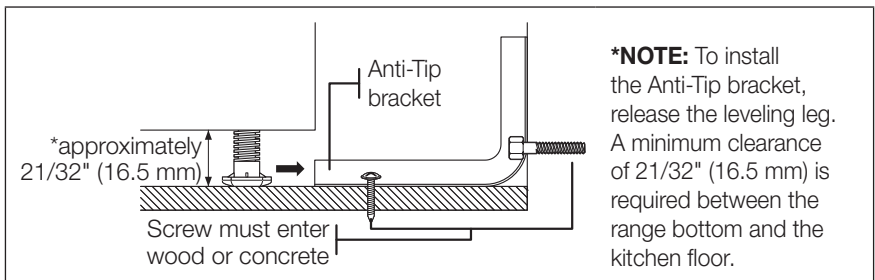
# installing the range

## INSTALLING THE ANTI-TIP DEVICE



**WARNING** To reduce the risk of tipping, you must secure the appliance by properly installing the Anti-Tip device packed with the appliance.

- Refer to the installation instructions supplied with the bracket.
- If the anti-tip device is not installed properly, an adult or child stepping on or sitting on the range door could tip the range and suffer serious injuries caused by spilled hot liquids or by the range itself.

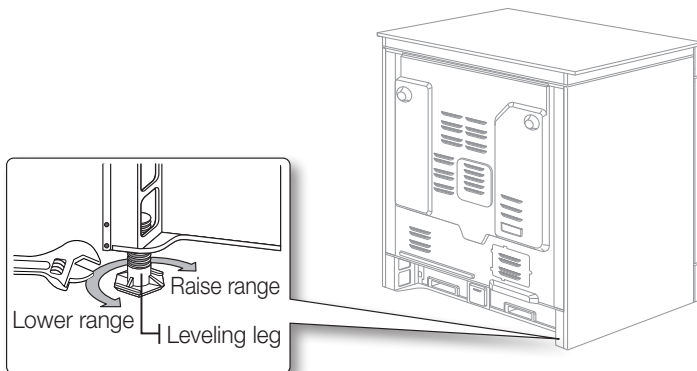


### 1. Install the bracket using the template

The Anti-Tip bracket is packaged with a template. The instructions include information necessary to complete the installation. Read and follow the instructions on the sheet (template) for range installation.

### 2. Level the range

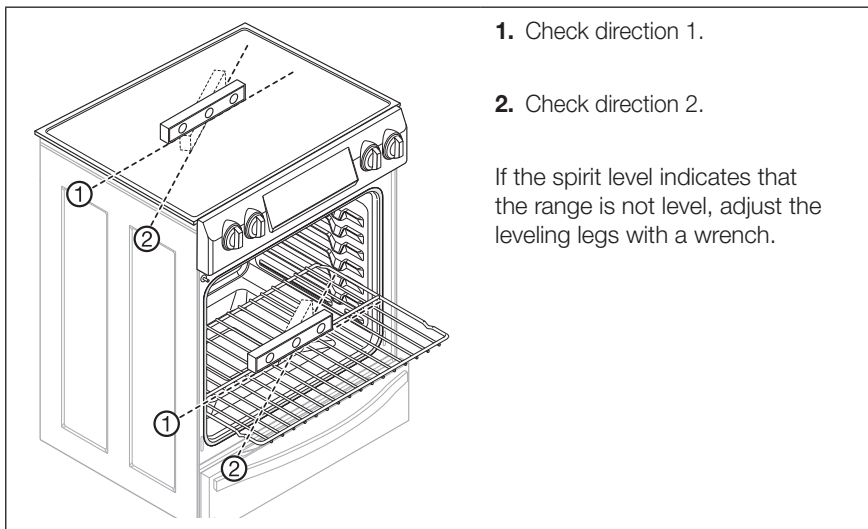
Level the range by adjusting the leveling legs with a wrench.



### 3. Check your adjustments

---

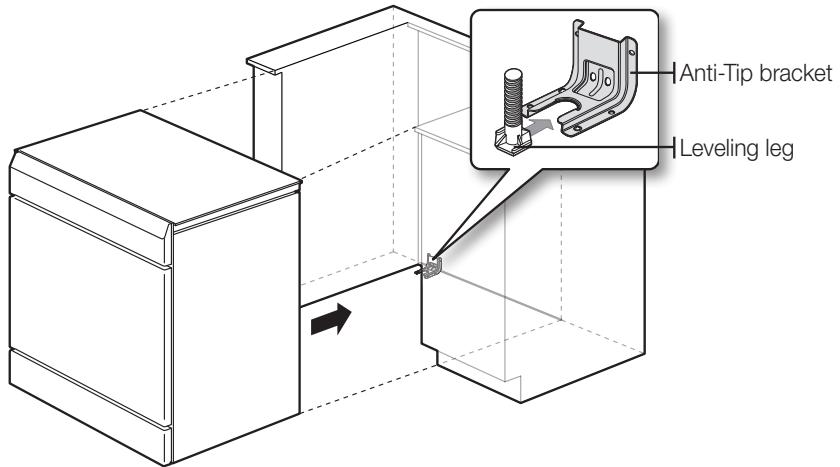
Use a spirit level to check your adjustments. Place the level diagonally on the oven rack or surface cooktop, and confirm the range is level in the two directions shown below.



## FINALIZING THE INSTALLATION

---

- Move range close enough to the opening to plug into the receptacle.
- Slide the range into position ensuring that the rear left (or rear right) leg slides under the Anti-Tip bracket.
- Carefully tip the range forward to insure that the Anti-Tip bracket engages the back brace and prevents tip-over.
- Turn on the electrical power. Check the range for proper operation as described in the user manual.





Scan this with your smartphone

Scan the QR code\* or visit  
[www.samsung.com/spsn](http://www.samsung.com/spsn)  
to view our helpful

**How-to Videos and Live Shows**

\*Requires reader to be installed on  
your smartphone

## QUESTIONS OR COMMENTS?

COUNTRY	CALL	OR VISIT US ONLINE AT
U.S.A Consumer Electronics	1-800-SAMSUNG (726-7864)	<a href="http://www.samsung.com/us/support">www.samsung.com/us/support</a>
CANADA	1-800-SAMSUNG (726-7864)	<a href="http://www.samsung.com/ca/support">www.samsung.com/ca/support</a> (English) <a href="http://www.samsung.com/ca_fr/support">www.samsung.com/ca_fr/support</a> (French)



# Estufa eléctrica

## manual de instalación

imagine las posibilidades

Gracias por adquirir este producto Samsung.

**SAMSUNG**

## **PREPARACIÓN PARA INSTALAR LA ESTUFA**

3

- 3 Acerca de esta sección
- 3 Para su seguridad
- 4 Quite el empaque
- 4 Prepare las herramientas y las piezas
- 5 Control del sitio de instalación
- 7 Para evitar la rotura

## **CÓMO CONECTAR LA CORRIENTE ELÉCTRICA**

8

- 8 Paso 1. Cumplimiento de los requisitos de conexión eléctrica
- 9 Paso 2. Acceso a la conexión del cable de alimentación
- 10 Paso 3. Instalación del cable de alimentación
- 13 Paso 4. Instalación del conducto
- 16 Paso 5. Colocación de la cubierta de acceso

## **INSTALACIÓN DE LA ESTUFA**

17

- 17 Instalación del dispositivo anti inclinación
- 19 Finalización de la instalación

# preparación para instalar la estufa

## ACERCA DE ESTA SECCIÓN

LEA ESTAS INSTRUCCIONES EN SU TOTALIDAD Y CUIDADOSAMENTE.

### Nota importante para el instalador

- Lea todas las instrucciones contenidas en este manual antes de instalar la estufa.
- Retire de la estufa todos los materiales de empaque de los compartimientos del horno antes de conectar la alimentación eléctrica a la estufa.
- Cumpla todos los códigos y ordenanzas exigidos por las autoridades pertinentes.
- Asegúrese de dejar estas instrucciones con el usuario final.

### Nota importante para el usuario final

**Guarde estas instrucciones para que puedan ser consultadas por el inspector del servicio eléctrico de su localidad.**

- Como con cualquier electrodoméstico que genera calor, existen ciertas precauciones de seguridad que se deben cumplir.
- Asegúrese de que su electrodoméstico sea correctamente instalado y conectado a tierra por un técnico calificado.
- Asegúrese de que los revestimientos de las paredes alrededor de la estufa pueden soportar el calor que ésta genera.
- Para eliminar la necesidad de alcanzar objetos por encima de los elementos de la superficie, evite tener gabinetes de almacenamiento sobre la cubierta.
- La estufa no debe colocarse sobre una base.

## PARA SU SEGURIDAD



ADVERTENCIA

**ADVERTENCIA** Si la información de este manual no es seguida con exactitud, se podrían producir incendios o descargas eléctricas causantes de daños a la propiedad, lesiones personales, o la muerte.



ADVERTENCIA

**ADVERTENCIA** Antes de comenzar la instalación, corte la alimentación eléctrica desde el panel de servicio y cierre con llave el interruptor de desconexión del servicio para evitar que la corriente eléctrica sea conectada accidentalmente. Si resulta imposible cerrar con llave el interruptor de desconexión del servicio, fije en forma segura sobre el panel de servicio alguna forma muy notoria de advertencia, tal como un cartel o marbete.



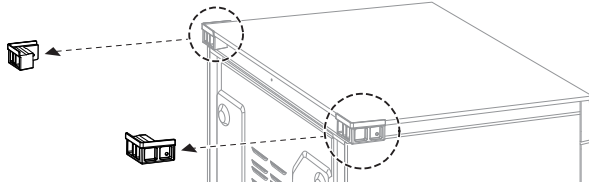
ADVERTENCIA

**ADVERTENCIA** Este electrodoméstico debe conectarse debidamente a tierra.

## QUITE EL EMPAQUE

---

Retire el material de empaque. Retire el marco de apoyo de la parte trasera del vidrio de la cubierta. No retirar los materiales de empaque podría causar daños al electrodoméstico.

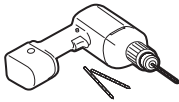


## PREPARE LAS HERRAMIENTAS Y LAS PIEZAS

---

### Las herramientas que necesitará

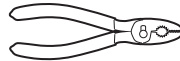
---



Taladro



Llave ajustable



Pinzas



Desarmador de caja para tuercas de 1/4"



Desarmador Phillips



Desarmador plano



Lápiz



Nivel

### Elementos incluidos con su estufa

---



Plantilla



Ménsula anti inclinación



Tornillos (cortos: 2, largos: 2)



Kit de relleno y tornillos (3 de c/u)

### Materiales adicionales que puede necesitar

---



**Cable de 4 conductores o cable de 3 conductores**  
(de 40 o 50 AMP, aprobados por United Laboratories, Inc. ("UL"))



**Sujetador de cables con amortiguador de esfuerzo**  
(únicamente para instalación con conducto)



# CONTROL DEL SITIO DE INSTALACIÓN

## Distancias, espacios libres y dimensiones

Para instalar la estufa, observe la figura a continuación.



**PRECAUCIÓN** Esta estufa ha sido diseñada para cumplir con la temperatura máxima admisible para gabinetes de madera de 194 °F. Asegúrese de que los revestimientos de paredes, superficies de mesada y gabinetes alrededor de la estufa puedan soportar el calor (hasta 194 °F) generado por la estufa. De lo contrario, se podrían producir alteraciones de color, deslaminación o derretimiento.

### RECORTE DESLIZABLE

Las caras sombreadas deben ser planas y niveladas.

Dimensions: 31", 35-7/8", 23-3/16", 25", 24", 3", 1" mín., 1/2" mín., 3", 26-5/16", 28-5/8", 24-11/16", 48", 26-5/16", 29-15/16", 16-5/16", 23-3/16", 36"-36-3/4".

### RECORTE INDEPENDIENTE

Dimensions: 25", 3", 24", 3", 6", 6".

**A:** Espacio entre gabinetes mín 30" (76.2 cm)  
**B:** Área admisible para toma de corriente

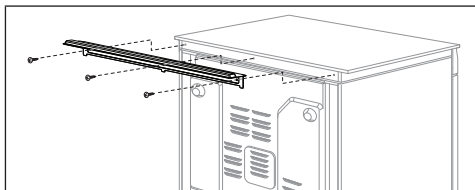
★ Si sus gabinetes tienen una altura superior a 36-3/4", debe instalar la estufa en un soporte duro y resistente al calor que levante la superficie de la estufa hasta que quede a nivel con la mesada.



**PRECAUCIÓN** Debe usar el kit de relleno trasero para instalar la estufa en un gabinete de recorte independiente. Para obtener más información, consulte "Kit de relleno trasero opcional" que se muestra a continuación.

## Kit de relleno trasero opcional

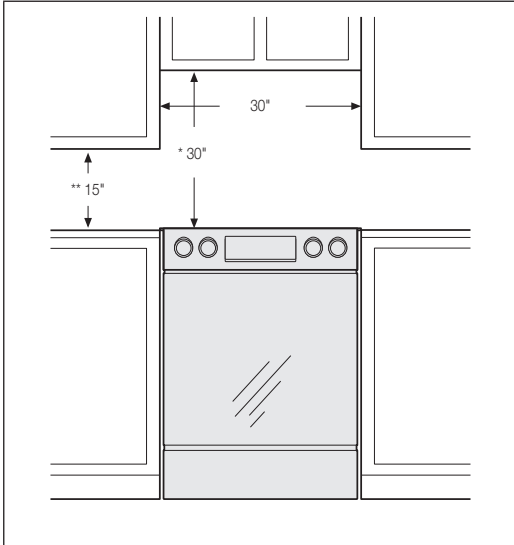
Se usa para llenar el espacio entre la parte trasera de la estufa y la pared. Agrega una tira de relleno a la parte trasera de la estufa. Este kit solo puede usarse cuando la abertura en la mesada tiene una profundidad de 25 pulgadas.



Si la profundidad de la mesada es mayor a 25 pulgadas, habrá un espacio entre el kit de relleno y la pared trasera.

## Dimensiones mínimas

**★ IMPORTANTE** Para eliminar el riesgo de quemaduras o de incendio causado por alcanzar elementos por encima de las unidades de superficie calientes, evite colocar gabinetes de almacenamiento arriba de las unidades de superficie. Si tiene gabinetes de almacenamiento sobre los elementos calentadores, puede reducir el riesgo instalando una campana para estufas que sobresalga horizontalmente como mínimo 5 pulgadas con respecto al extremo inferior de los gabinetes.



- \* Se requiere como mínimo 30" entre el extremo superior de la superficie de cocción y el extremo inferior de un gabinete de madera o metal no protegido; se requiere como mínimo 24" si el extremo inferior del gabinete de madera o metal está protegido por un tablero ignífugo de un mínimo de 1/4" cubierto con una lámina de acero Nro. 28, como mínimo, 0.015" de acero inoxidable, 0.024" de aluminio o 0.020" de cobre.
- \*\* Se requiere como mínimo 15" entre la superficie de la mesada y la parte inferior del gabinete más cercano.

## PARA EVITAR LA ROTURA



**PRECAUCIÓN** NO levante ni sostenga la unidad por el vidrio de la cubierta.

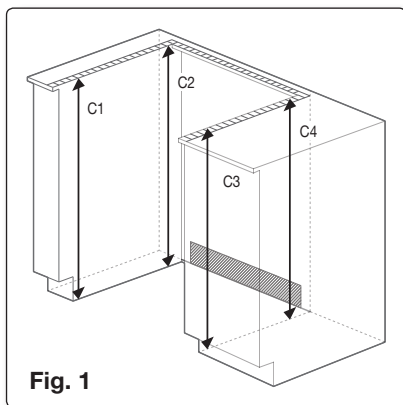
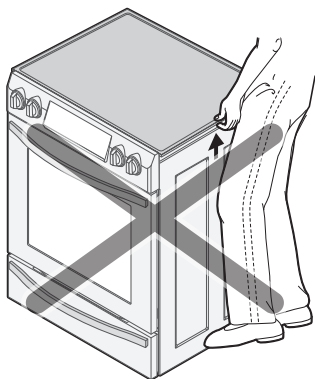
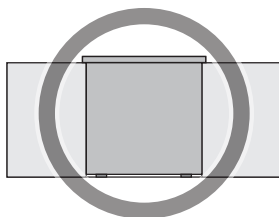
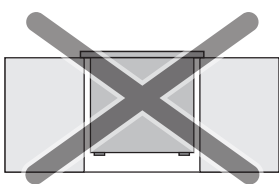


Fig. 1

1. La mesada alrededor del recorte debe ser plana y nivelada (ver zona sombreada de la Fig. 1).
2. Antes de instalar la unidad, mida la altura de los dos lados del gabinete (C1~C4), frontal y posterior (ver la Fig. 1) desde el piso hasta la parte superior de la mesada.
3. Nivele la estufa con las cuatro patas de nivelación de modo que la distancia entre el piso y la parte inferior del marco del vidrio de la cubierta sea al menos 1/16" mayor que la medida más alta del gabinete.
4. Retire los marcos de apoyo de la parte trasera izquierda y derecha del vidrio de la cubierta (consulte la página 4).
5. Deslice la unidad en el gabinete (**NO LA EMPUJE CON FUERZA**). Asegúrese de que el centro de la unidad esté alineado con el centro del recorte del gabinete.
6. El marco de la cubierta de vidrio debajo del vidrio de la cubierta **DEBE** apoyarse sobre la mesada del gabinete de modo que la unidad esté soportada por sus patas de nivelación. El vidrio de la cubierta **NO** debe tocar directamente la mesada. Si el vidrio de la cubierta toca la mesada, se puede romper y anular la garantía.

**★ IMPORTANTE ASEGÚRESE** de que la unidad esté soportada por las patas de nivelación y **NO** por la propia cubierta. El vidrio de la cubierta debe apoyarse sobre la superficie de las mesadas.



# cómo conectar la corriente eléctrica

## PASO 1. CUMPLIMIENTO DE LOS REQUISITOS DE CONEXIÓN ELÉCTRICA



**PRECAUCIÓN** Para seguridad de las personas, no utilice cables prolongadores con este electrodoméstico. Quite el fusible de su casa o corte la electricidad con el disyuntor antes de comenzar la instalación.

Este electrodoméstico debe ser alimentado con el voltaje y la frecuencia correctos, y debe conectarse a un ramal de circuito individual correctamente conectado a tierra y protegido con un disyuntor o fusible cuyo amperaje debe concordar con lo establecido en la placa de especificaciones. La placa de especificaciones se encuentra ubicada arriba del cajón en el marco del horno. **(Fig. 1 o Fig. 2)**

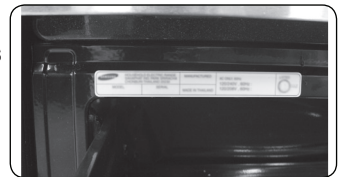
Le recomendamos que el cableado y la conexión de su estufa sean realizados por un electricista calificado. Luego de la instalación, solicítele al electricista que le muestre dónde se encuentra el principal dispositivo de desconexión de su estufa.

Verifique con su empresa local de servicio eléctrico los códigos eléctricos vigentes en su área. Si el cableado de su horno no se hace de acuerdo con los códigos en vigencia se podrían generar condiciones peligrosas. Si no hay códigos locales, su estufa debe ser cableada y equipada con fusibles que cumplan los requisitos del National Electrical Code, ANSI/NFPA No. 70–Latest Edition. Para obtener una copia, escriba a:

National Fire Protection Association  
Batterymarch Park  
Quincy, MA 02269



**(Fig. 1)**



**(Fig. 2)**

**Con vigencia a partir del 1 de enero de 1996, el National Electrical Code (Código Eléctrico Nacional) exige que en las construcciones nuevas (no existentes en ese momento) para estufas de cocina se utilicen conexiones de cuatro conductores.**

**Cuando instale una estufa eléctrica en una construcción nueva, siga los Pasos 2 y 3 para una conexión de 4 conductores.**

Debe usar un sistema eléctrico de 3 o 4 conductores, monofásico, CA. 208Y/120 voltios o 240/120 voltios, 60 hertz.

Si el servicio eléctrico provisto no cumple con las especificaciones anteriores, haga que un electricista con licencia le instale un tomacorriente aprobado.

Utilice únicamente un cable para estufas de 3 o 4 conductores incluido en las listas de UL. Estos cables pueden venir con terminales de aro y un dispositivo de sujeción con amortiguador de esfuerzo.

Se requiere un cable para estufas apto para 40 amps. con un rango de voltaje mínimo de 125/250 voltios. No se recomienda el uso de cables de 50 amps., pero si se lo utiliza debe estar marcado para uso con aberturas de conexión de 1 $\frac{3}{8}$  pulgadas de diámetro. Se debe prestar cuidado de centrar el cable y el sujetador con amortiguador de esfuerzo dentro del orificio de salida para evitar que el borde dañe el cable.

- Dado que las terminales no quedan accesibles una vez que la estufa está en posición, se debe usar conducto o cable flexible.

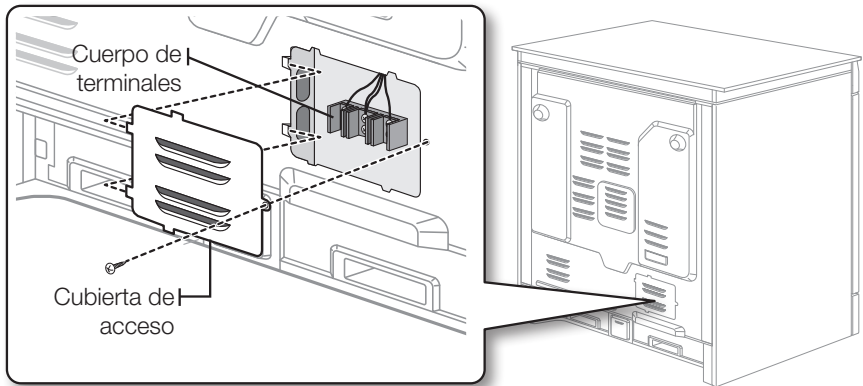
 **NOTA** Si se utiliza un conducto, vaya al Paso 4 en la página 12.



**TODAS LAS NUEVAS CONSTRUCCIONES DE CIRCUITOS RAMALES, CASAS RODANTES, VEHÍCULOS RECREATIVOS E INSTALACIONES DONDE LOS CÓDIGOS LOCALES NO PERMITEN LA CONEXIÓN A TIERRA MEDIANTE EL NEUTRO, REQUIEREN UN CABLE PARA ESTUFAS DE 4 CONDUCTORES INCLUIDOS EN LOS LISTADOS DE UL.**

## PASO 2. ACCESO A LA CONEXIÓN DEL CABLE DE ALIMENTACIÓN

Afloje y luego retire el tornillo de la cubierta de acceso posterior con un destornillador. Retire la cubierta de acceso posterior jalando hacia la derecha y luego hacia afuera. Habrá quedado abierto el acceso al cuerpo de terminales.



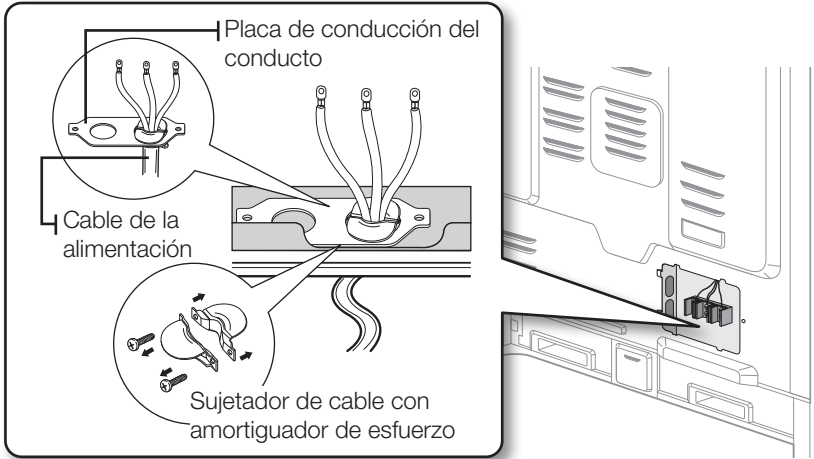
### Especificaciones del kit de cable para alimentación eléctrica.

Especificación de estufa, watts		Especificaciones del kit de cable para alimentación eléctrica, en amperes.	Diámetro (en pulgadas) de la abertura para conexión de la estufa	
120/240 voltios 3-conductores	120/208 voltios 3-conductores		Cable de la alimentación	Conducto
8750 - 16500	7801 - 12500	40 o 50 A	1 $\frac{3}{8}$ "	1 $\frac{1}{8}$ "

Las instalaciones del cable de alimentación se explican en la página 10. Las instalaciones de los conductos se explican en la página 12.

## PASO 3. INSTALACIÓN DEL CABLE DE ALIMENTACIÓN

Cuando se realicen instalaciones de cables de alimentación, enganche el sujetador de cables con amortiguador de esfuerzo sobre el orificio del cable de alimentación ( $1\frac{3}{8}$ " ubicado debajo de la parte trasera del cuerpo del cajón. Inserte el cable de alimentación atravesando el sujetador-amortiguador y ajuste el dispositivo.



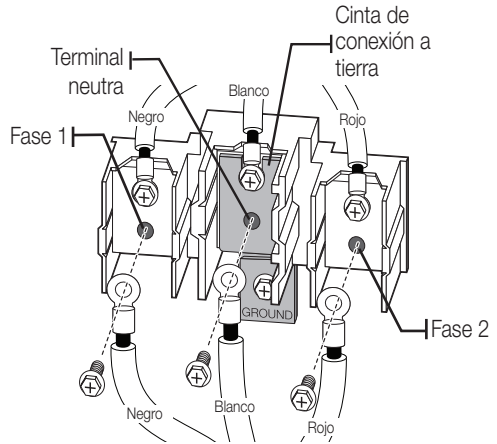
- **El cable de alimentación se debe instalar con un sujetador-amortiguador.**
- Fije el sujetador de cables con amortiguador de esfuerzo a la abertura de  $1\frac{3}{8}$ " en la placa de conexión del conducto.

## Instalación de un cable de alimentación de 3 conductores



**ADVERTENCIA** El conductor neutro o de tierra del cable de alimentación debe conectarse a la terminal neutra ubicada en el centro del cuerpo de terminales. Los chicotes de cable que portan corriente deben conectarse a las terminales inferior izquierda e inferior derecha del cuerpo de terminales.

1. Retire los tornillos de las tres terminales inferiores del cuerpo de terminales.
2. Introduzca los 3 tornillos terminales a través de cada aro terminal del cable de alimentación y dentro de las terminales inferiores del cuerpo de terminales. Asegúrese de que el conductor central (blanco/neutro) sea conectado a la posición central inferior del cuerpo de terminales.
3. Ajuste los tornillos al cuerpo de terminales en forma segura. **NO retire la cinta de conexión a tierra.**
4. Vaya al **Paso 5** en la página 15 para continuar con la instalación.



**PRECAUCIÓN** Debe verificar el voltaje después de conectar el cable de alimentación.

Fase 1 - Neutro	120 V
Fase 2 - Neutro	120 V
Fase 1 - Fase 2	208 V / 240 V

# Instalación de un cable de alimentación de 4 conductores



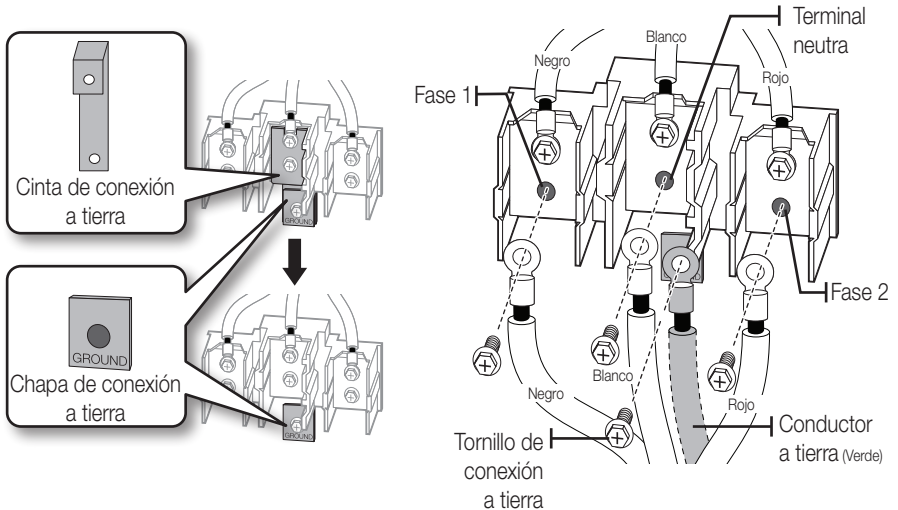
ADVERTENCIA

## ADVERTENCIA

El conductor neutro del circuito de alimentación debe conectarse a la terminal neutra ubicada en la parte central inferior del cuerpo de terminales.

Los chicotes de cable que portan corriente deben conectarse a las terminales inferior izquierda e inferior derecha del cuerpo de terminales. El cuarto chicote de conexión a tierra debe conectarse al marco de la estufa con la chapa y el tornillo de conexión a tierra.

1. Retire los tornillos de las tres terminales inferiores del cuerpo de terminales. Retire el tornillo y la chapa de conexión a tierra y guárdelos.
2. **Corte y descarte la cinta de conexión a tierra. No descarte ningún tornillo.**
3. Introduzca el tornillo de tierra en la terminal de aro de tierra del cable de alimentación, a través de la chapa de conexión a tierra y dentro del marco de la estufa.
4. Introduzca los 3 tornillos terminales (retirados anteriormente) a través de cada aro terminal del cable de alimentación y dentro de las terminales inferiores del cuerpo de terminales. Asegúrese de que el conductor central (blanco/neutro) sea conectado a la posición central inferior del cuerpo de terminales. Ajuste los tornillos al cuerpo de terminales en forma segura.
5. Vaya al **Paso 5** en la página 15 para continuar con la instalación.



PRECAUCIÓN

## PRECAUCIÓN

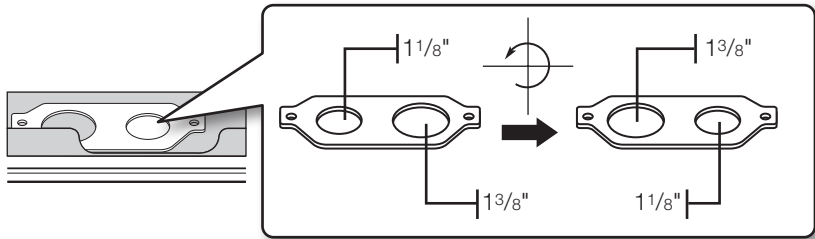
Debe verificar el voltaje después de conectar el cable de alimentación.

Fase 1 - Neutro	120 V
Fase 2 - Neutro	120 V
Fase 1 - Fase 2	208 V / 240 V

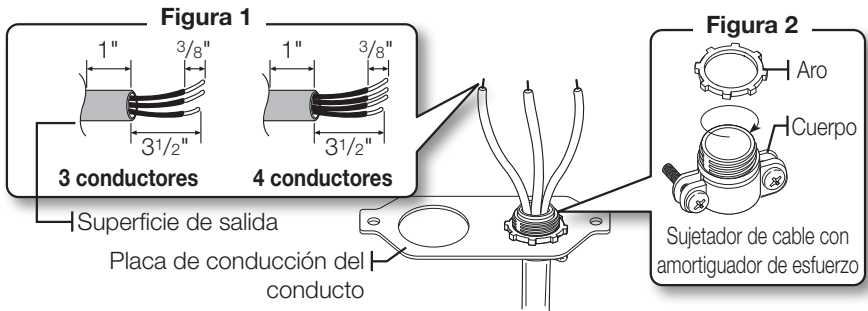


## PASO 4. INSTALACIÓN DEL CONDUCTO

Retire la placa de conexión del conducto y rótela como se muestra a continuación. Se debe utilizar el orificio de conducto ( $1\frac{1}{8}$ ").



1. Prepare el cable de conducto como se muestra en la Figura 1.
2. Instale el cable de conducto como se muestra en la Figura 2.

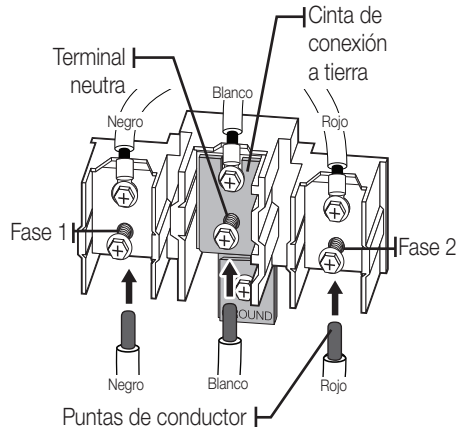


En el caso de instalaciones de conducto, introduzca el sujetador de cables con amortiguador de esfuerzo (no incluido) en el orificio del conducto ( $1\frac{1}{8}$ "). Luego pase el cable de conducto a través del cuerpo del sujetador-amortiguador y ajuste el tornillo. Reinstale la placa.

## Instalación de un conducto de tres conductores

- Se puede utilizar alambre de construcción de aluminio pero debe estar graduado y aprobado para los amperajes y voltajes correcto. Conecte los conductores según se describe a continuación.
- El conductor utilizado, la ubicación y el encapsulamiento de uniones, etc. deben cumplir con las buenas prácticas de cableado y los códigos locales.

1. Afloje los tornillos de las 3 terminales inferiores del cuerpo de terminales.
2. Introduzca la punta desnuda del conductor central (blanco/neutro) a través de la abertura en la parte central inferior del cuerpo de terminales. En ciertos modelos, será necesario introducir el conductor a través de la abertura de la cinta de conexión a tierra y luego dentro de la abertura en la parte central inferior del cuerpo de terminales.
3. Introduzca las puntas desnudas de los dos conductores laterales en las aberturas inferior izquierda e inferior derecha del cuerpo de terminales.
4. Ajuste los tornillos hasta que los conductores queden firmemente anclados (35 a 50 pulgadas-libras de torque). No ajuste los tornillos en exceso porque esto podría dañar los conductores.
5. Vaya al **Paso 5** en la página 15 para continuar con la instalación.

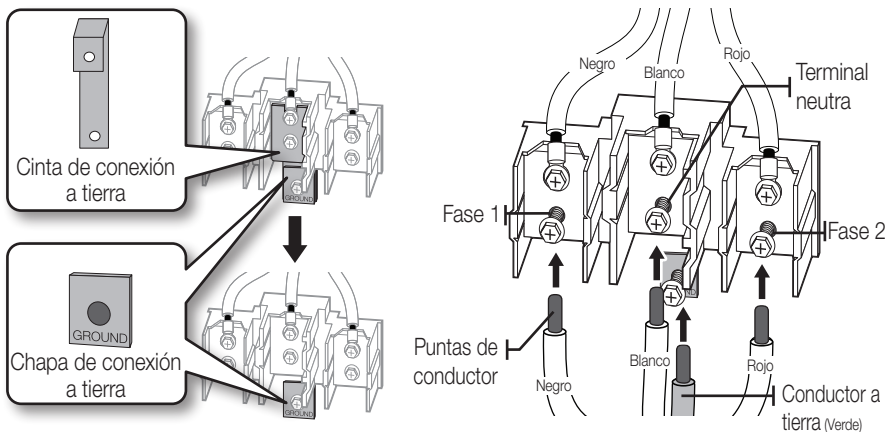


**PRECAUCIÓN** Debe verificar el voltaje después de conectar el cable de alimentación.

Fase 1 - Neutro	120 V
Fase 2 - Neutro	120 V
Fase 1 - Fase 2	208 V / 240 V

## Instalación de un conducto de cuatro conductores

- Se puede utilizar alambre de construcción de aluminio pero debe estar graduado y aprobado para los amperajes y voltajes correctos para hacer la conexión. Conecte los conductores según se describe a continuación.
  - El conductor utilizado, la ubicación y el encapsulamiento de uniones, etc. deben cumplir con las buenas prácticas de cableado y los códigos locales.
1. Afloje los tornillos de las 3 terminales inferiores del cuerpo de terminales. Retire el tornillo y la chapa de conexión a tierra y guárdelos.
  2. **Corte y descarte la cinta de conexión a tierra. No descarte ningún tornillo.**
  3. Inserte la punta desnuda del conductor de tierra entre el marco de la estufa y la chapa de conexión a tierra (retirados anteriormente) y fíjelo en su lugar con el tornillo de conexión a tierra.
  4. Introduzca la punta desnuda del conductor (blanco/neutro) a través de la abertura en la parte central inferior del cuerpo de terminales.
  5. Introduzca las puntas desnudas de los dos conductores laterales en las aberturas inferior izquierda e inferior derecha del cuerpo de terminales.
  6. Ajuste los tornillos hasta que los conductores queden firmemente anclados (35 a 50 pulgadas-libras de torque). No ajuste los tornillos en exceso porque esto podría dañar los conductores.
  7. Vaya al **Paso 5** en la página 15 para continuar con la instalación.



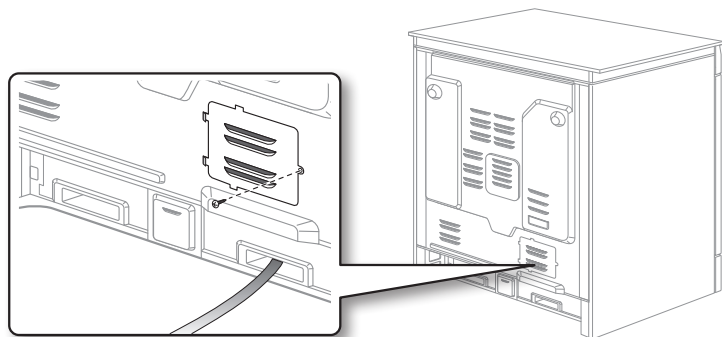
PRECAUCIÓN

**PRECAUCIÓN** Debe verificar el voltaje después de conectar el cable de alimentación.

Fase 1 - Neutro	120 V
Fase 2 - Neutro	120 V
Fase 1 - Fase 2	208 V / 240 V

## **PASO 5. COLOCACIÓN DE LA CUBIERTA DE ACCESO**

Para volver a colocar la cubierta de acceso en la parte trasera de la estufa, inserte las dos pestañas de la parte trasera de la cubierta en las cavidades ubicadas debajo de la abertura y luego inserte y ajuste el tornillo de la cubierta de acceso trasera.



# instalación de la estufa

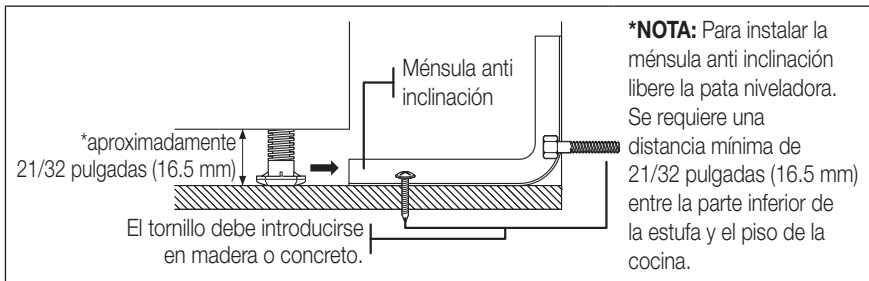
## INSTALACIÓN DEL DISPOSITIVO ANTI INCLINACIÓN



ADVERTENCIA

**ADVERTENCIA** Para reducir el riesgo de inclinaciones o vuelcos, debe sujetar el electrodoméstico instalando correctamente el dispositivo anti inclinación que viene empacado con la estufa.

- Remítase a las instrucciones de instalación incluidas con la ménsula.
- Si el dispositivo anti inclinación no está instalado correctamente, un adulto o niño que pise o se sienta sobre la puerta de la estufa podría inclinarla y sufrir lesiones graves causadas por el derrame de líquidos calientes o por la estufa misma.

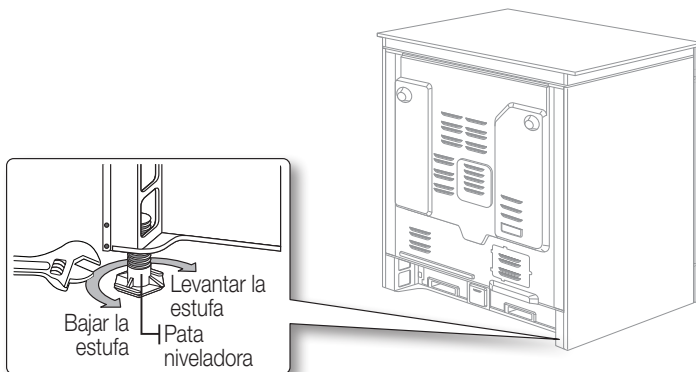


### 1. Instale la ménsula utilizando la plantilla.

La ménsula anti inclinación se encuentra empacada junto con una plantilla. Las instrucciones incluyen la información necesaria para completar la instalación. Lea y siga las instrucciones en la hoja (plantilla) para la instalación de la estufa.

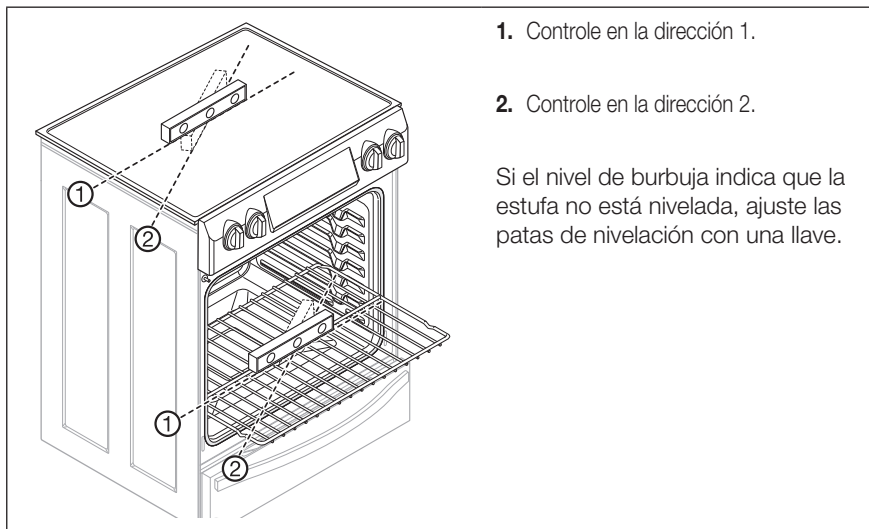
### 2. Nivelación de la estufa

Nivele la estufa ajustando las patas niveladoras con una llave.



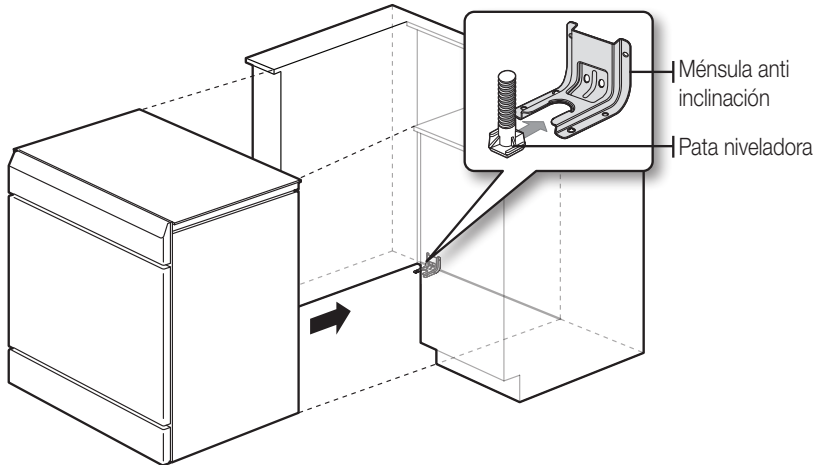
### 3. Controle sus ajustes

Utilice un nivel de burbuja de aire para controlar los ajustes. Coloque el nivel diagonalmente sobre la parrilla del horno o la superficie de cocción y confirme que la estufa está nivelada en las dos direcciones mostradas a continuación.



## FINALIZACIÓN DE LA INSTALACIÓN

- Mueva la estufa lo suficientemente cerca de su lugar como para enchufar en el tomacorriente.
- Deslice la estufa a su posición, asegurándose de que la pata trasera izquierda (o trasera derecha) se deslice por debajo de la ménsula anti inclinación.
- Con cuidado, incline la estufa hacia adelante para verificar que la ménsula Anti Inclinación engancha al puntal trasero e imposibilita el vuelco.
- Encienda la corriente eléctrica. Controle el funcionamiento correcto de la estufa tal como se describe en el manual del usuario.





Scan this with your smartphone

Escanee el código QR\* o visite  
[www.samsung.com/spn](http://www.samsung.com/spn)  
para ver nuestros útiles videos  
instructivos y programas en vivo

\*Requiere un lector instalado en su  
teléfono inteligente

¿TIENE PREGUNTAS O COMENTARIOS?

PAÍS	LLAME AL	O VISÍTENOS EN LÍNEA EN
U.S.A Consumer Electronics	1-800-SAMSUNG (726-7864)	<a href="http://www.samsung.com/us/support">www.samsung.com/us/support</a>
CANADA	1-800-SAMSUNG (726-7864)	<a href="http://www.samsung.com/ca/support">www.samsung.com/ca/support</a> (English) <a href="http://www.samsung.com/ca_fr/support">www.samsung.com/ca_fr/support</a> (French)





# Manuel d'utilisation

## Manuel d'installation

un monde de possibilités

Nous vous remercions d'avoir choisi ce produit Samsung.

**SAMSUNG**

## **PRÉPARATION AVANT L'INSTALLATION DE LA CUISINIÈRE**

3

- 3 A propos de cette section
- 3 Pour votre sécurité
- 4 Retirer l'emballage
- 4 Préparation des outils et des pièces
- 5 Vérification du site d'installation
- 7 Pour éviter toute rupture

## **MISE SOUS TENSION**

8

- 8 Étape 1 : Respect des exigences en matière de raccordements électriques
- 9 Étape 2 : Accès au branchement du cordon d'alimentation
- 10 Étape 3 : Installation du cordon d'alimentation
- 13 Étape 4 : Installation de la gaine
- 16 Étape 5 : Remise en place du panneau d'accès

## **INSTALLATION DE LA CUISINIÈRE**

17

- 17 Installation du dispositif anti-basculement
- 19 Finalisation de l'installation

# préparation avant l'installation de la cuisinière

## A PROPOS DE CETTE SECTION

**LISEZ ENTièrement ET ATTENTIVEMENT CES INSTRUCTIONS.**

### Note importante destinée à l'installateur

- Lisez l'intégralité des consignes d'installation avant d'installer la cuisinière.
- Retirez tous les éléments d'emballage des compartiments du four avant de raccorder la cuisinière à l'alimentation électrique.
- Respectez tous les codes et règlements en vigueur.
- Assurez-vous de laisser ces instructions à l'utilisateur.

### Note importante destinée à l'utilisateur

**Conservez précieusement ces instructions afin que la personne chargée du contrôle électrique puisse s'y reporter.**

- Comme pour tout appareil générant de la chaleur, certaines consignes de sécurité sont à respecter.
- Assurez-vous que votre appareil est correctement installé et mis à la terre par un installateur qualifié ou un technicien spécialisé.
- Assurez-vous que les revêtements muraux situés à proximité de l'appareil peuvent résister à la chaleur générée par celui-ci.
- Pour éliminer le besoin de passer au-dessus de la surface des foyers, évitez d'avoir un meuble de rangement situé au-dessus de la table de cuisson.
- La cuisinière ne doit pas être placée sur un socle.

## POUR VOTRE SÉCURITÉ



**AVERTISSEMENT** Si vous ne respectez pas scrupuleusement les informations contenues dans ce manuel, vous risquez de provoquer un incendie ou un choc électrique et, par conséquent, des dégâts matériels, blessures ou accidents mortels.



**AVERTISSEMENT** Avant de démarrer l'installation, coupez l'alimentation au panneau de commande et verrouillez l'interrupteur permettant la mise hors tension ; cette précaution évitera toute mise sous tension accidentelle de l'appareil. Si vous ne parvenez pas à verrouiller l'interrupteur permettant la mise hors tension, fixez fermement au panneau de commande un dispositif d'avertissement bien visible.

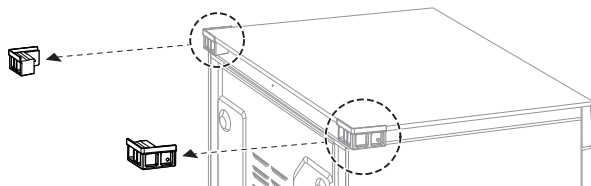


**AVERTISSEMENT** Cet appareil doit être correctement mis à la terre.

## RETIRER L'EMBALLAGE

---

Retirez le matériel d'emballage. Retirez l'encadrement de soutien situé à l'arrière de la vitre de la table de cuisson. Tout matériel d'emballage non retiré risque d'endommager l'appareil.



## PRÉPARATION DES OUTILS ET DES PIÈCES

---

### Outils nécessaires

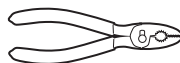
---



Perceuse



Clé à molette



Pince



Tournevis à douille de 1/4"



Tournevis cruciforme



Tournevis plat



Crayon



Niveau

### Accessoires fournis

---



Modèle



Support anti-basculement



Vis (courtes :  
2 unités, longues :  
2 unités)



Kit de cales et vis  
(3 unités)

### Matériaux supplémentaires dont vous pourriez avoir besoin

---



**Cordon 4 fils ou 3 fils**  
(homologué UL 40 ou 50 AMP)



**Protection contre la traction**  
(pour le branchement des gaines  
uniquement)

# VÉRIFICATION DU SITE D'INSTALLATION

## Dégagements et dimensions

Pour procéder à l'installation de la cuisinière, reportez-vous au schéma suivant.



ATTENTION

### AVERTISSEMENT

Cette cuisinière a été conçue pour supporter une température maximale de 194 °F, température maximale autorisée pour toute structure en bois. Assurez-vous que le revêtement mural, les plans de travail et les meubles voisins peuvent résister à la chaleur (jusqu'à 194 °F) générée par la cuisinière. Dans le cas contraire, des éléments peuvent se décolorer, se décoller ou fondre.

#### DISJONCTEUR ENCASTRABLE

Les surfaces hachurées doivent être plates et de niveau.

#### DISJONCTEUR NON ENCASTRABLE

**A : Ouverture du meuble 30" minimum (76.2 cm)**  
**B : Emplacement autorisé pour la prise électrique**

★ Si vos meubles mesurent plus de 36-3/4" de hauteur, vous devez installer cette cuisinière sur un support solide et résistant à la chaleur, qui permet de relever la surface de la cuisinière de sorte qu'elle arrive à peu près au niveau du plan de travail.



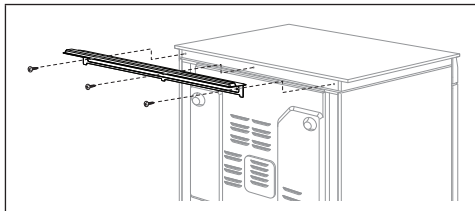
ATTENTION

### AVERTISSEMENT

Vous devez utiliser le kit de remplissage arrière pour installer la cuisinière dans une armoire pour disjoncteur non encastrable. Pour en savoir plus, reportez-vous à la section « Kit de remplissage arrière en option », comme indiqué ci-dessous.

## Kit de calage arrière en option

Utilisez ce kit pour combler le jeu entre l'arrière de la cuisinière et le mur. Ajoute une baguette à l'arrière de la cuisinière. Ce kit ne peut être utilisé que lorsque la profondeur de l'ouverture du plan de travail est de 25".



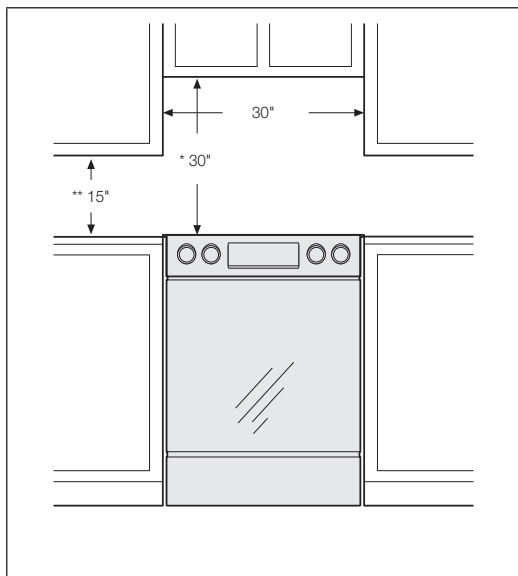
Si la profondeur du plan de travail dépasse 25", il y aura un jeu entre le kit de calage et le mur arrière.

## Dimensions minimales

---

**★ IMPORTANT** Pour éliminer tout risque de brûlure ou d'incendie lors de l'accès à l'espace situé au-dessus des éléments de cuisson chauds, évitez d'y aménager tout meuble de rangement. Si un meuble de rangement est situé au-dessus des éléments de cuisson, vous pouvez réduire le risque en installant une hotte d'aspiration assurant une protection horizontale d'au moins 5 pouces au-delà du dessous du meuble.

---



\* Un dégagement minimal de 30" est requis entre le dessus de la table de cuisson et le dessous d'un meuble en métal ou en bois non protégé, ou de 24" minimum si le dessous du meuble en métal ou en bois est protégé par un carton pâte ignifugeant d'au moins 1/4" recouvert par au moins une feuille d'acier n° 28 MSG, 0.015" d'acier inoxydable, 0.024" d'aluminium ou 0.020" de cuivre.

\*\* Un dégagement minimal de 15" est requis entre le plan de travail et le bas du meuble adjacent.

## POUR ÉVITER TOUTE RUPTURE



**ATTENTION** NE PAS lever ou manipuler l'appareil en le tenant par la vitre de la table de cuisson.

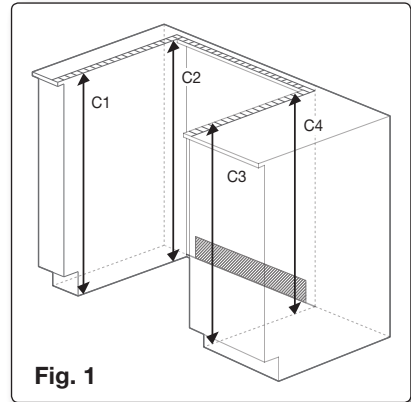
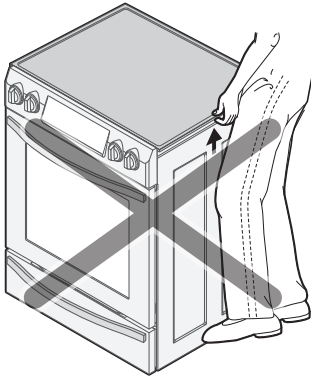
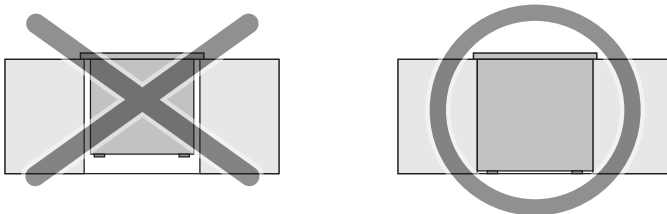


Fig. 1

1. Le plan de travail autour des découpes doit être plat et ajusté (voir la zone hachurée sur la Fig. 1).
2. Avant d'installer l'appareil, mesurez les hauteurs des deux côtés du meuble (C1 à C4), à l'avant et à l'arrière (voir Fig. 1), en partant du sol jusqu'en haut du plan de travail.
3. Mettez la cuisinière de niveau en utilisant les quatre pieds de mise à niveau de sorte que la hauteur entre le sol et la face inférieure du cadre de la vitre de la table de cuisson soit supérieure à la mesure du plus haut meuble d'environ 1/16".
4. Retirez les supports sur les côtés arrière gauche et arrière droit de la table de cuisson vitrée (reportez-vous à la page 4).
5. Faites glisser l'appareil dans le meuble (**POUSSEZ DOUCEMENT**). Assurez-vous que le centre de l'appareil soit aligné avec le centre des découpes du meuble.
6. Le cadre de la vitre de la table de cuisson en dessous de la vitre **DOIT** se situer au-dessus du plan de travail du meuble afin que l'appareil repose sur ses pieds de mise à niveau. La vitre de la table de cuisson **NE DOIT PAS** toucher directement le plan de travail. Si c'était le cas, elle pourrait se briser et cela annulerait la garantie.

**★ IMPORTANT ASSUREZ-VOUS** que l'appareil est bien supporté par les pieds de mise à niveau et **NON** par la table de cuisson elle-même. La vitre de la table de cuisson doit se situer au-dessus de la surface des plans de travail.



## ÉTAPE 1 : RESPECT DES EXIGENCES EN MATIÈRE DE RACCORDEMENTS ÉLECTRIQUES



**ATTENTION** Pour votre sécurité, n'utilisez pas de rallonge pour brancher l'appareil. Retirez le fusible de l'installation électrique ou ouvrez le disjoncteur avant de démarrer l'installation.

Cet appareil doit être alimenté par la fréquence et la tension adaptées. Il doit également être branché sur un circuit individuel correctement mis à la terre et protégé par un disjoncteur ou un fusible dont l'ampérage est conforme à celui spécifié sur la plaque signalétique de l'appareil. La plaque signalétique est située au-dessus du tiroir sur la structure du four. **(Fig. 1 ou Fig. 2)**

Nous vous recommandons de confier le câblage et le branchement électriques de votre cuisinière à un électricien qualifié. Une fois l'installation effectuée, demandez à l'électricien de vous montrer l'emplacement de débranchement principal de votre cuisinière.

Vérifiez auprès de votre service public les codes électriques s'appliquant à votre zone. Le non-respect des codes obligatoires pour le branchement de votre four peut s'avérer dangereux. S'il n'existe pas de codes locaux, votre cuisinière doit être branchée conformément aux exigences du Code national électrique, ANSI/NFPA N°. 70 (dernière édition). Vous pouvez en obtenir une copie en adressant un courrier à :

National Fire Protection Association  
Batterymarch Park  
Quincy, MA 02269

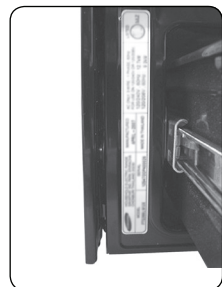
**Entré en vigueur le 1er janvier 1996, le Code électrique national exige que toute construction neuve (non existante) doive être équipée d'un branchement à 4 conducteurs pour les cuisinières électriques.**

**Lorsque vous installez une cuisinière électrique dans une construction neuve, suivez les étapes 2 et 3 relatives à une connexion à 4 fils.**

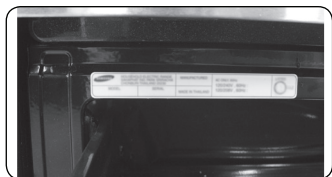
Vous devez utiliser un système électrique à 3 ou 4 fils, monophasé CA de 208 Y / 120 V ou de 240 / 120 V (60 Hz).

Si votre installation électrique n'est pas conforme aux spécifications ci-dessus, contactez un électricien agréé afin d'installer une prise homologuée.

Utilisez uniquement un cordon d'alimentation à 3 ou 4 fils figurant dans la liste UL. Ces cordons nécessitent des bornes rondes sur le fil et un dispositif de protection contre la traction.



(Fig. 1)




(Fig. 2)



Un cordon d'alimentation nominale de 40 A et de 125/250 V minimum est indispensable. Il n'est pas recommandé d'utiliser un cordon d'alimentation de 50 A, mais si toutefois vous en utilisez un, celui-ci doit être repéré pour être utilisé avec des ouvertures de connexion de diamètre nominal 1 $\frac{3}{8}$ ". Veillez à bien centrer le câble et le dispositif de protection contre la traction dans le trou d'éjection afin d'empêcher que le bord n'endommage le câble.

- Etant donné que les prises de la cuisinière sont inaccessibles une fois la cuisinière installée, il est nécessaire d'utiliser une gaine ou un cordon flexible.

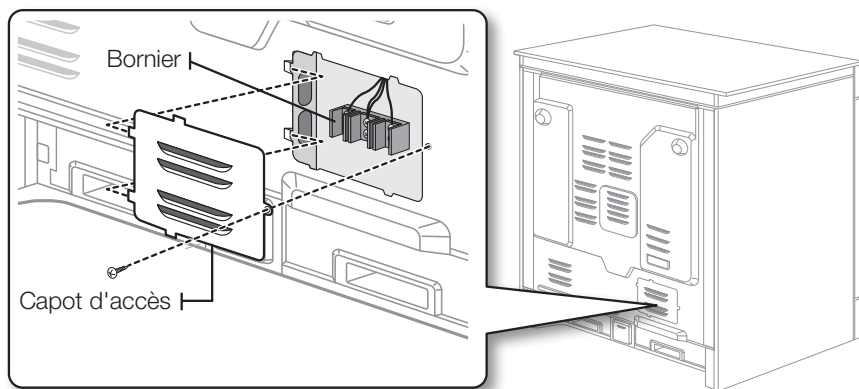
 **REMARQUE** Si vous utilisez une gaine, suivez l'étape 4, page 12.



**TOUTES LES CONSTRUCTIONS DONT LES CIRCUITS DÉRIVÉS SONT NEUFS, LES MAISONS MOBILES, LES VÉHICULES ET LES INSTALLATIONS DE LOISIRS DONT LES CODES LOCAUX NE PERMETTENT PAS UNE MISE À LA TERRE PAR UNE BORNE NEUTRE, NÉCESSITENT L'UTILISATION D'UN CORDON D'ALIMENTATION À 4 FILS FIGURANT DANS LA LISTE UL.**

## ÉTAPE 2 : ACCÈS AU BRANCHEMENT DU CORDON D'ALIMENTATION

Desserrez puis retirez la vis du panneau d'accès situé à l'arrière à l'aide d'un tournevis. Retirez le panneau d'accès situé à l'arrière en le tirant bien droit pour le faire sortir. Vous pourrez alors accéder au bornier.



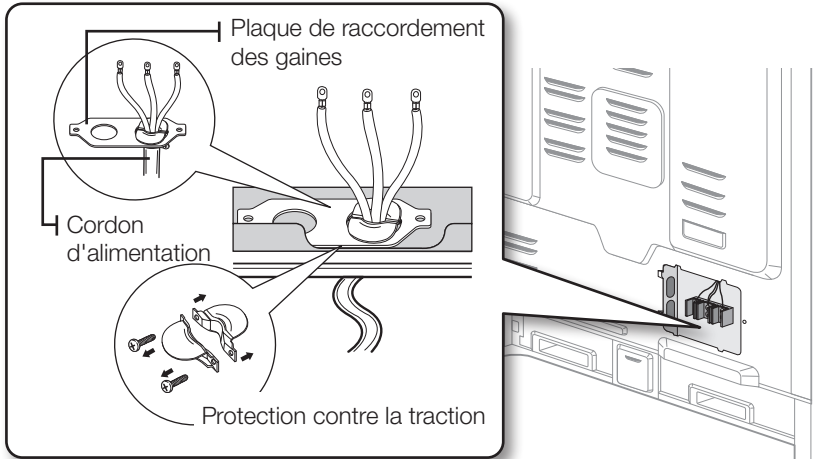
## Classification de l'équipement nécessaire à la mise sous tension

Classification générale, watts		Classification de l'équipement nécessaire à la mise sous tension, ampères	Diamètre (pouces) de l'ouverture de connexion de la cuisinière	
120 / 240 volts, 3 fils	120 / 208 volts, 3 fils		Cordon d'alimentation	Gaine
8750 - 16500	7801 - 12500	40 ou 50 A	1 $\frac{3}{8}$ "	1 $\frac{1}{8}$ "

Pour les installations de cordons d'alimentation, reportez-vous à la page 10.  
Pour les installations de gaine, reportez-vous à la page 12.

## ÉTAPE 3 : INSTALLATION DU CORDON D'ALIMENTATION

Pour les installations de cordon d'alimentation, accrochez le dispositif de protection contre la traction sur l'orifice du cordon d'alimentation (1<sup>3</sup>/<sub>8</sub>" ) situé sous la partie arrière du tiroir. Insérez le cordon d'alimentation dans le dispositif et serrez-le.



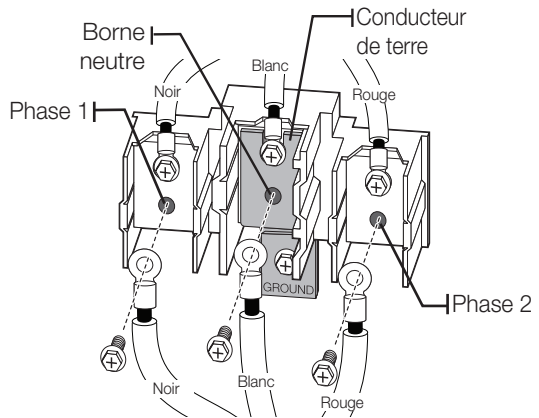
- **Le cordon d'alimentation doit être installé au moyen d'une protection contre la traction.**
- Fixez la protection à l'ouverture 1<sup>3</sup>/<sub>8</sub>" située dans la plaque de raccordement des gaines.

## Installation d'un cordon d'alimentation à 3 fils



**AVERTISSEMENT** Le neutre ou le fil de terre du cordon d'alimentation doit être connecté à la borne neutre située au centre du bornier. Les conducteurs de puissance doivent être connectés aux bornes inférieure gauche et inférieure droite du bornier.

1. Retirez les 3 vis de la borne inférieure du bornier.
2. Insérez les 3 vis de borne dans les bornes inférieures du bornier en traversant chacune des cosses du cordon d'alimentation. Assurez-vous que le fil central (blanc/neutre) est relié à l'emplacement central inférieur du bornier.
3. Serrez fermement les vis sur le bornier. **NE retirez PAS la connexion du conducteur de terre.**
4. Reportez-vous à l'**étape 5** de la page 15 et poursuivez l'installation.



**ATTENTION** Vous devez vérifier la tension après avoir branché le cordon d'alimentation.

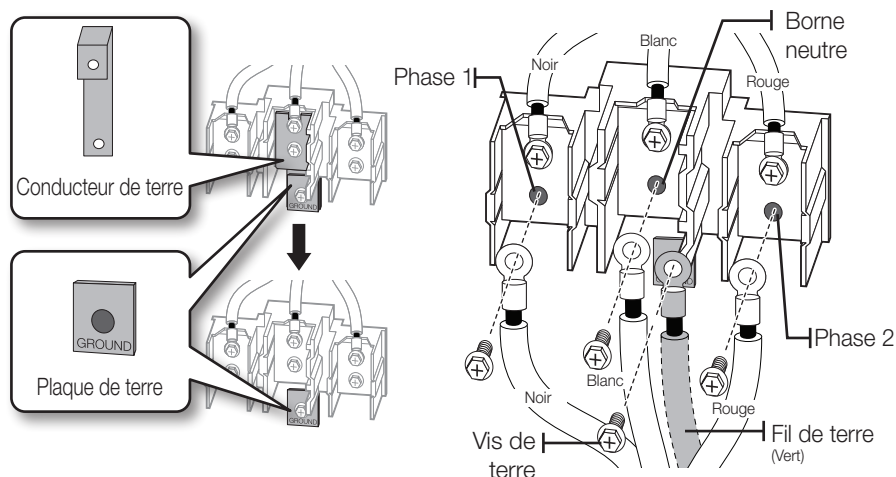
Phase 1 - Neutre	120 V
Phase 2 - Neutre	120 V
Phase 1 - Phase 2	208 V / 240 V

## Installation d'un cordon d'alimentation à 4 fils



**AVERTISSEMENT** La prise neutre du circuit d'alimentation doit être connectée à la borne neutre située au centre inférieur du bornier. Les câbles d'alimentation doivent être connectés aux bornes inférieures gauches et inférieures droites du bornier. Le 4<sup>ème</sup> câble de mise à la terre doit être connecté au bâti de la cuisinière au moyen de la plaque et de la vis de masse.

1. Retirez les 3 vis de la borne inférieure du bornier. Retirez la vis et la plaque de terre et conservez-les.
2. **Coupez et éliminez le conducteur de terre. Ne jetez aucune vis.**
3. Insérez la vis de terre dans l'anneau de la borne du fil de mise à la terre du cordon d'alimentation, en passant par la plaque de masse puis dans le bâti de la cuisinière.
4. Insérez les 3 vis de la borne (retirées précédemment) dans les bornes inférieures du bornier en passant par chacun des anneaux de la borne du cordon d'alimentation. Assurez-vous que le fil central (blanc/neutre) est relié à l'emplacement central inférieur du bornier. Serrez fermement les vis sur le bornier.
5. Reportez-vous à l'**étape 5** de la page 15 et poursuivez l'installation.



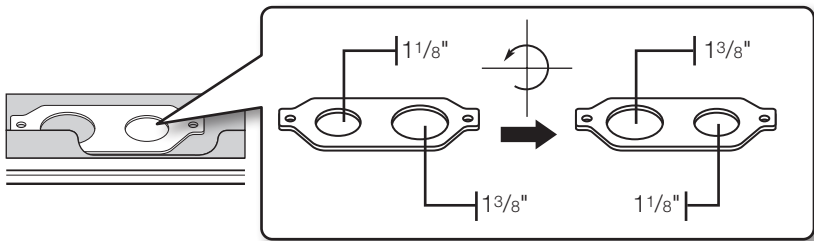
**ATTENTION** Vous devez vérifier la tension après avoir branché le cordon d'alimentation.

Phase 1 - Neutre	120 V
Phase 2 - Neutre	120 V
Phase 1 - Phase 2	208 V / 240 V

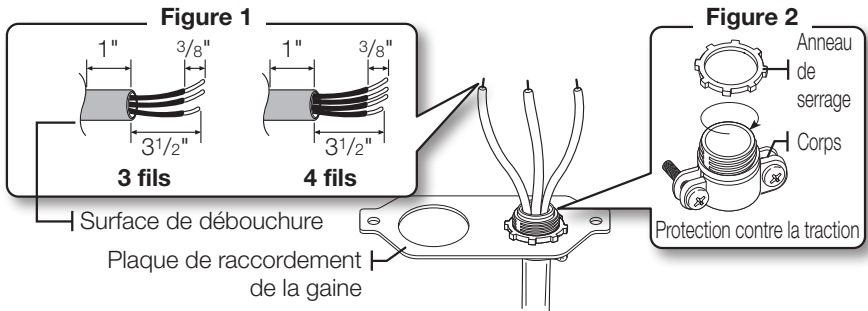
## ÉTAPE 4 : INSTALLATION DE LA GAINE

Retirez la plaque de connexion de la gaine et tournez-la comme indiqué ci-dessous.

Vous devez utiliser l'orifice de la gaine (1 1/8").



1. Préparez le cordon de la gaine comme le montre la figure 1.
2. Installez le cordon de la gaine comme le montre la figure 2.

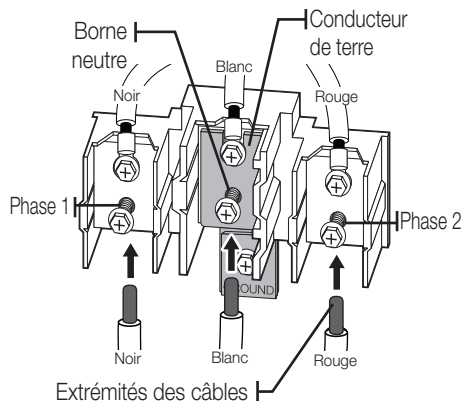


Pour les installations de gaine, insérez le dispositif de protection contre la traction (non fourni) dans l'orifice de la gaine (1 1/8"). Faites ensuite passer le cordon de la gaine dans le dispositif de protection, puis serrez l'anneau de serrage. Réinstallez le support.

## Installation d'une gaine à 3 fils

- Un fil réalisé en aluminium peut être utilisé mais il devra être doté de l'intensité et de la tension nominales correctes. Raccordez les fils comme décrit ci-dessous.
- Le fils utilisé, l'emplacement, les boîtiers de protection pour les épissures, etc. doivent être conformes aux bonnes pratiques de câblage et aux codes locaux.

1. Desserrez les 3 vis des bornes inférieures du bornier.
2. Insérez l'extrémité du fil dénudé (blanc/neutre) central dans l'ouverture inférieure centrale du bornier. Sur certains modèles, le fil devra être inséré dans l'ouverture du conducteur de terre puis dans l'ouverture inférieure centrale du bornier.
3. Insérez les extrémités dénudées des fils de chaque côté dans les ouvertures inférieure gauche et inférieure droite du bornier.
4. Serrez les vis jusqu'à fixation complète du fil (35 à 50 pouces-livres). Ne serrez pas excessivement les vis sous peine d'endommager les fils.
5. Reportez-vous à l'**étape 5** de la page 15 et poursuivez l'installation.



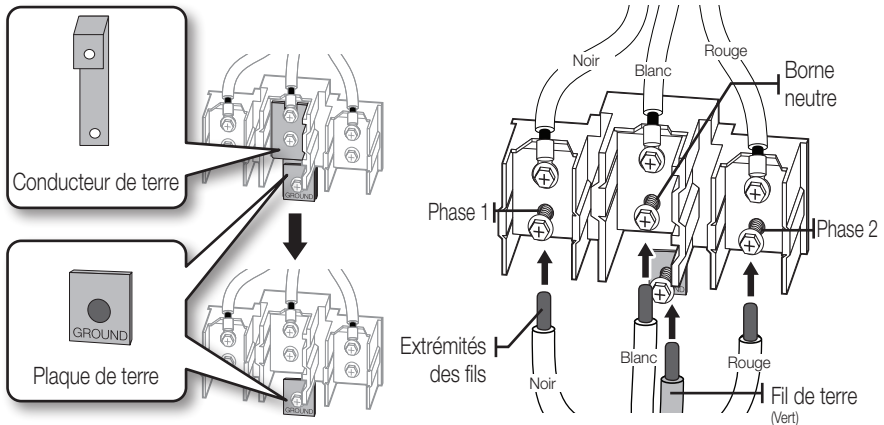
ATTENTION

**ATTENTION** Vous devez vérifier la tension après avoir branché le cordon d'alimentation.

Phase 1 - Neutre	120 V
Phase 2 - Neutre	120 V
Phase 1 - Phase 2	208 V / 240 V

## Installation d'une gaine à 4 fils

- Un fil réalisé en aluminium peut être utilisé mais il devra être doté de l'intensité et de la tension nominales correctes permettant d'établir la connexion. Raccordez les fils comme décrit ci-dessous.
  - Le fils utilisé, l'emplacement, les boîtiers de protection pour les épissures, etc. doivent être conformes aux bonnes pratiques de câblage et aux codes locaux.
1. Desserrez les 3 vis des bornes inférieures du bornier. Retirez la vis et la plaque de terre et conservez-les.
  2. **Coupez et éliminez le conducteur de terre. Ne jetez aucune vis.**
  3. Insérez l'extrémité du fil de terre dénudée entre le bâti de la cuisinière et la plaque de terre (retirée précédemment) et fixez-la à l'aide de la vis de terre (retirée précédemment).
  4. Insérez l'extrémité dénudée du fil (blanc/neutre) dans l'ouverture inférieure centrale du bornier.
  5. Insérez les extrémités dénudées des fils de chaque côté dans les ouvertures inférieure gauche et inférieure droite du bornier.
  6. Serrez les vis jusqu'à fixation complète du fil (35 à 50 pouces-livres). Ne serrez pas excessivement les vis sous peine d'endommager les fils.
  7. Reportez-vous à l'**étape 5** de la page 15 et poursuivez l'installation.



ATTENTION

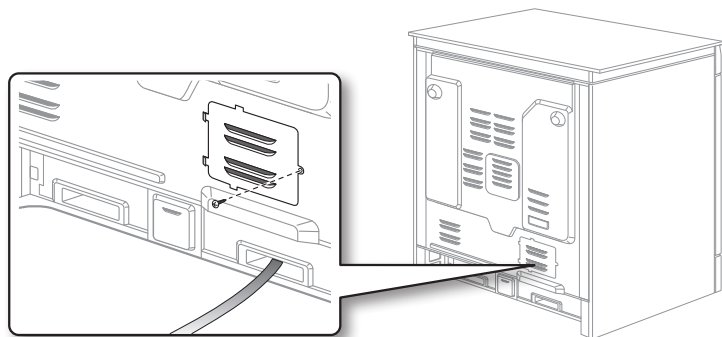
**ATTENTION** Vous devez vérifier la tension après avoir branché le cordon d'alimentation.

Phase 1 - Neutre	120 V
Phase 2 - Neutre	120 V
Phase 1 - Phase 2	208 V / 240 V

## ÉTAPE 5 : REMISE EN PLACE DU PANNEAU D'ACCÈS

---

Pour remplacer le panneau d'accès à l'arrière de la cuisinière. Insérez les deux parties en saillie situées en bas du panneau dans les orifices situés sous l'ouverture, insérez et serrez la vis du panneau d'accès arrière.





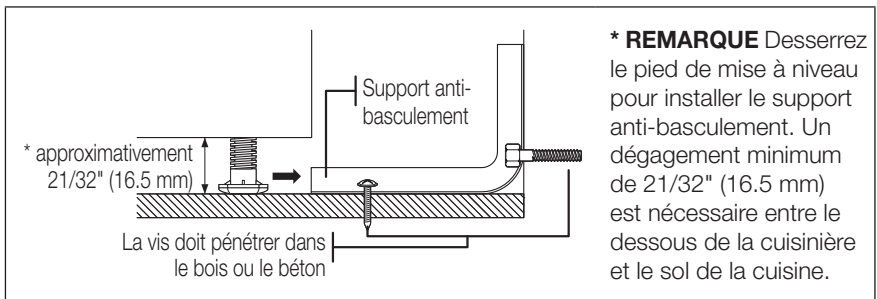
# installation de la cuisinière

## INSTALLATION DU DISPOSITIF ANTI-BASCULEMENT



**AVERTISSEMENT** Afin de réduire les risques de basculement, vous devez fixer la cuisinière en installant correctement le dispositif anti-basculement fourni avec cette dernière.

- Reportez-vous aux consignes d'installation fournies avec le support.
- Si le dispositif anti-basculement n'est pas installé correctement, un enfant ou un adulte montant ou s'asseyant sur la porte peut faire basculer la cuisinière et provoquer de graves blessures par le renversement de liquides chauds ou par la cuisinière elle-même.

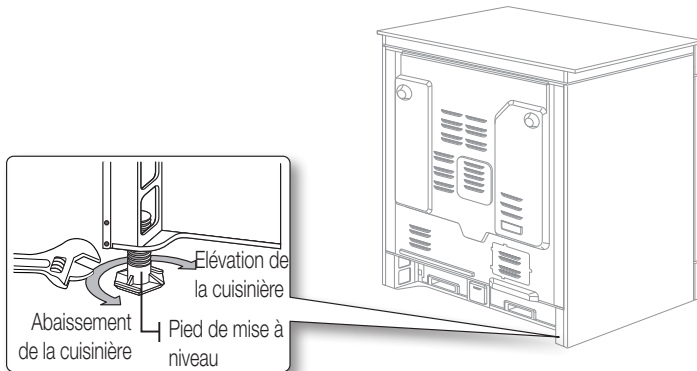


### 1. Déterminez l'emplacement du support à l'aide du modèle.

Le support anti-basculement est fourni avec un modèle. Les consignes comportent les informations nécessaires à l'installation. Lisez et suivez les consignes figurant sur la fiche (modèle) pour l'installation de la cuisinière.

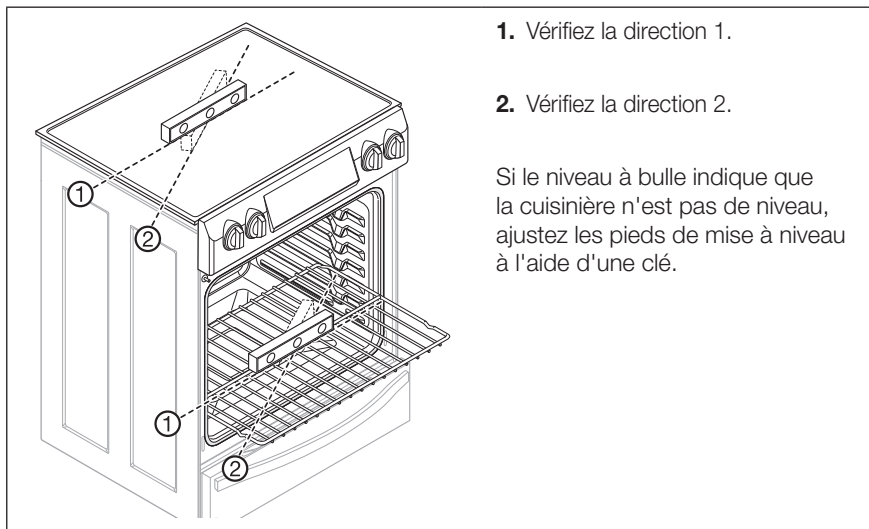
### 2. Mise à niveau de la cuisinière

Mettez la cuisinière à niveau en ajustant les pieds de réglage à l'aide d'une clé.



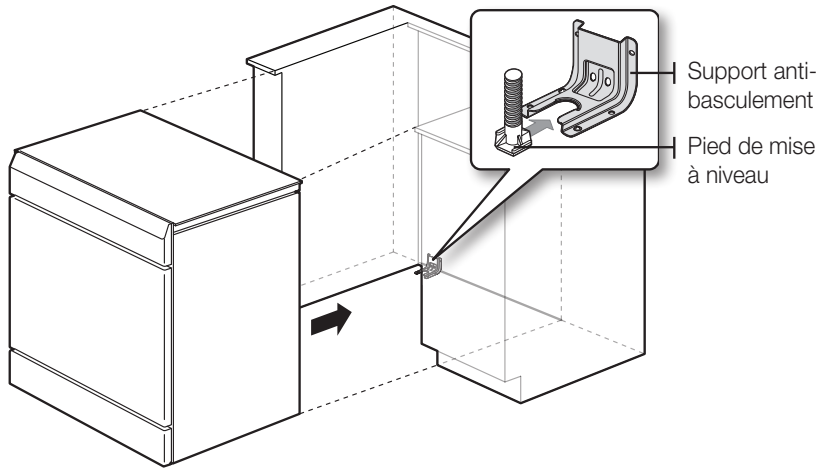
### 3. Vérification des réglages

Utilisez un niveau à bulle pour vérifier vos réglages. Placez le niveau en diagonale sur la grille du four ou la table de cuisson et vérifiez le niveau dans les deux directions indiquées ci-dessous.



## FINALISATION DE L'INSTALLATION

- Placez la cuisinière suffisamment près de l'ouverture pour permettre le branchement de la prise.
- Positionnez la cuisinière en vous assurant que le pied arrière gauche (ou arrière droit) se place sous le support anti-basculement.
- Inclinez avec précaution la cuisinière vers l'avant afin de vous assurer que le support anti-basculement s'emboîte dans la fixation arrière et que la cuisinière ne bascule pas.
- Mettez l'appareil sous tension. Vérifiez que la cuisinière fonctionne correctement comme indiqué dans le manuel d'utilisation.





Scan this with your smartphone

Scannez le code QR\* ou rendez-vous sur le site [www.samsung.com/spsn](http://www.samsung.com/spsn) pour voir nos vidéos et démonstrations en direct d'utilisation.

\*Requiert l'installation d'un lecteur sur votre smartphone

UNE QUESTION ? UN COMMENTAIRE ?

PAYS	TÉLÉPHONE	SITE INTERNET
U.S.A Consumer Electronics	1-800-SAMSUNG (726-7864)	<a href="http://www.samsung.com/us/support">www.samsung.com/us/support</a>
CANADA	1-800-SAMSUNG (726-7864)	<a href="http://www.samsung.com/ca/support">www.samsung.com/ca/support</a> (English) <a href="http://www.samsung.com/ca_fr/support">www.samsung.com/ca_fr/support</a> (French)

