

NE59N6650WS



SAMSUNG

5.9 cu. ft., True Convection Freestanding Electric Range with Illuminated Knobs

SKU: 770-66504



Available Colours

-  Stainless Steel
-  Black Stainless Steel

Signature Features

Blue Illuminated LED Knobs

- Visually lets you know if your cooktop is on from a distance.

Steam Assist

- Get deliciously succulent and crispy baking results easily. Steam Assist heats water to a high temperature to fill the oven with steam. Food retains more natural moisture, so it's juicy inside, but nicely crisp and brown outside.

Express Boil Element

- Boil water or cook anything in a flash, with two ring sizes the Express Boil dual burner provides great power and flexibility allowing you to instantly boil, efficiently heat or gently simmer various sized dishes.



Blue Illuminated LED Knobs



Steam Assist

Features

- Flexible Cooktop – Five Electric Elements
 - One Dual Elements (6"/9")
 - One Triple Elements (6"/9"/12")
 - Two Single Elements (6")
 - One Warming Center (7")
- Large Oven Capacity – 5.9 cu. ft.
- Steam Assist
- Express Boil (3600W Element)
- Touch Oven Display
- Wi-Fi™ Connectivity
- Wide View Window
- Hidden Bake Element
- Warming Drawer

Convenience

- Self & Steam Clean
- 3 Chrome Oven Racks
- Auto Oven Light
- Proofing
- Sabbath Mode
- Kitchen Timer
- Delay Start
- Auto Shut-Off Option
- Child Safety Lock

NE59N6650WS

SAMSUNG

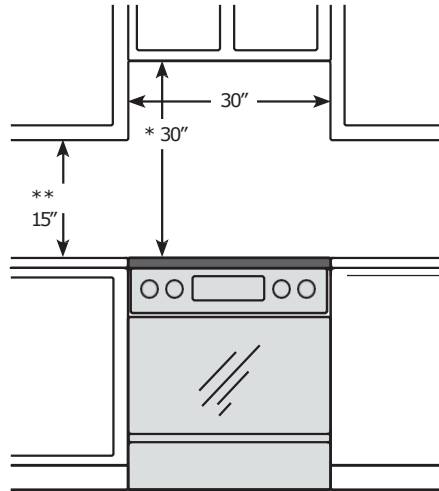
5.9 cu. ft., True Convection Freestanding Electric Range with Illuminated Knobs

SKU: 770-66504

Installing your range

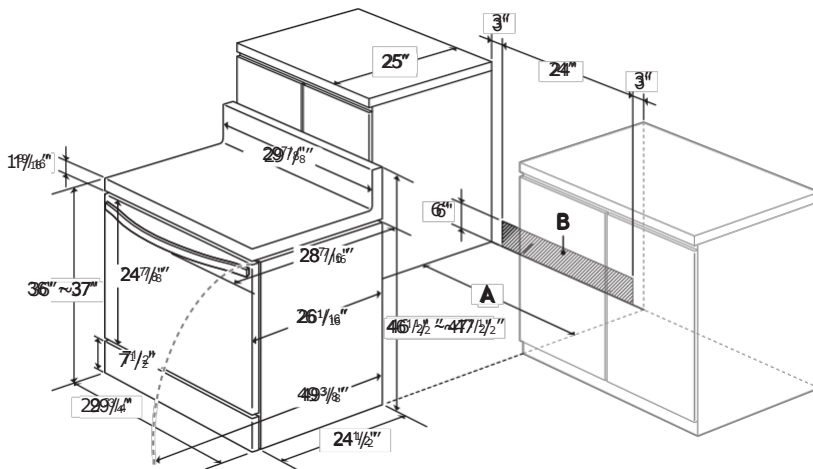
*30" minimum clearance between the top of the cooking surface and the bottom of an unprotected wood or metal cabinet; or If no 30" minimum clearance, 24" minimum when the bottom of the wood or metal cabinet is protected by not less than 0.25" flame-retardant millboard covered with not less than no. 28 MSG sheet steel, 0.015" stainless steel, 0.024" aluminum, or 0.020" copper.

5" minimum between the countertop and the adjacent cabinet bottom.



IMPORTANT: To eliminate the risk of burns or fire caused by reaching overheated surface units, cabinet storage space located above the surface units should be avoided. If cabinet storage is to be provided, the risk can be reduced by installing a range hood that projects horizontally a minimum of 5" beyond the bottom of the cabinets.

Dimensions



A: Required Cabinet Opening is 30"
B: Acceptable Electrical Outlet Space

• Right Front: 6"/9"/12" Triple Element, Electric Ceramic Cooktop, 3600W

- Left Front: 6"/9" Dual Element, 3600W
- Right Rear: 6" Element, 1200W
- Left Rear: 6" Element, 1200W
- Center Rear: 7" Warming Center

Oven:

- Capacity: 5.9 cu. ft.
- Hidden Bake Element
- Bake: 175°F–550°F
- Convection Bake: 175°F–550°F
- Convection Roast: 175°F–550°F
- Variable Broil: Low/High
- Proofing
- Sabbath Mode

Warming Drawer:

- Capacity: 1.4 cu. ft.
- Wattage: 600W
- High: 185°
- Medium: 167°
- Low: 14°

Power Source:

- 240V/60 Hz/40A

Warranty

One (1) Year All Parts and Labour

Product Dimensions & Weight (WxHxD)

Actual Oven Dimensions: 25" x 18¹⁵/₁₆" x 20"

Outside Net Dimensions: 29⁷/₈" x 47¹/₈" x 26"

Weight: 167 lbs. (77.7 Kg)

Shipping Dimensions & Weight (WxHxD)

Dimensions: 33¹/₁₆" x 50²/₅" x 30⁵/₁₆"

Weight: 191 lbs. (86.6 Kg)

Colour

- Stainless Steel
- Black Stainless Steel

Model

- NE59N6650WS
- NE59N6650WG

UPC Code

- 887276254241
- 887276254234