

NE59T7851WS

SAMSUNG

5.9 cu. ft. Freestanding Flex Duo™ Electric Range with Dual Door™



Signature Features

Flex Duo™ Oven

- The spacious 5.9 cu. ft. oven splits into two ovens with the Smart Divider to cook at two different temperatures at the same time.
- Two temperature controls.
- No noticeable transfer of aroma.

Dual Door™

- Used with the Flex Duo™ Smart Divider, it's like having two ovens in one.
- Unique middle-hinged door can open just the top section or the full door, for total flexibility and energy efficiency.

Soft-Close Door

- Whisper-quiet Soft-Close Door.

5.9 Cu. Ft. Large Capacity

- Cook a big roast, multiple casserole dishes or several racks of cookies at once.
- Three oven racks let you prepare enough food for large gatherings.
- Split rack on top for taller dishes.

Available Colors



Stainless Steel (shown)



Black Stainless Steel



Flex Duo™ Oven



Dual Door™

Features

- Flex Duo™ Technology with Dual Door – Large 5.9 cu. ft. Convection Oven Splits into Two Cavities with a Removable Smart Divider
- Soft-Close Door
- Dual Convection Oven
 - Top: Fan Convection
 - Bottom: True Convection
- Large Oven Capacity – 5.9 cu. ft.
 - 2.6 cu. ft. upper
 - 3.2 cu. ft. lower
- Five Electric Cooktop Elements
 - One Triple Burner (6"/9"/12")
 - Two Bridged (7")
 - One Single Burner (6")
 - Warming Center (7")
- SteamQuick™ (20-min. Oven Cleaning) and Self Clean
- Warming Drawer: High, Medium, Low

Convenience

- Auto Oven Light
- Proofing
- Sabbath Mode
- Kitchen Timer
- Delay Start
- Child Safety Lock
- Three Preset Easy Cook Options

NE59T7851WS

SAMSUNG

5.9 cu. ft. Freestanding Flex Duo™ Electric Range with Dual Door™

Installation Specifications

*30" minimum clearance between the top of the cooking surface and the bottom of an unprotected wood or metal cabinet; or 24" minimum when the bottom of the wood or metal cabinet is protected by not less than 1/4" flame-retardant millboard covered with not less than no. 28 MSG sheet steel, 0.015" stainless steel, 0.024" aluminum or 0.020" copper.

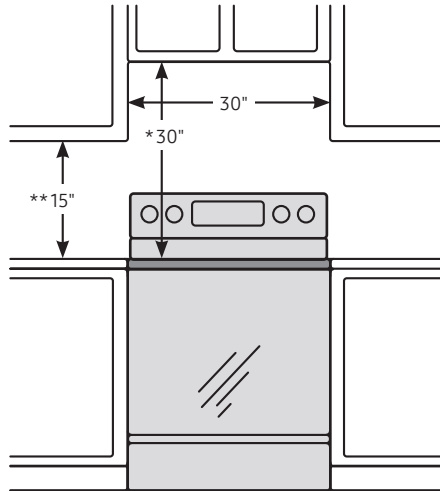
**15" minimum between the countertop and the adjacent cabinet bottom.

IMPORTANT: To eliminate the risk of burns or fire caused by reaching over heated surface units, cabinet storage space located above the surface units should be avoided.

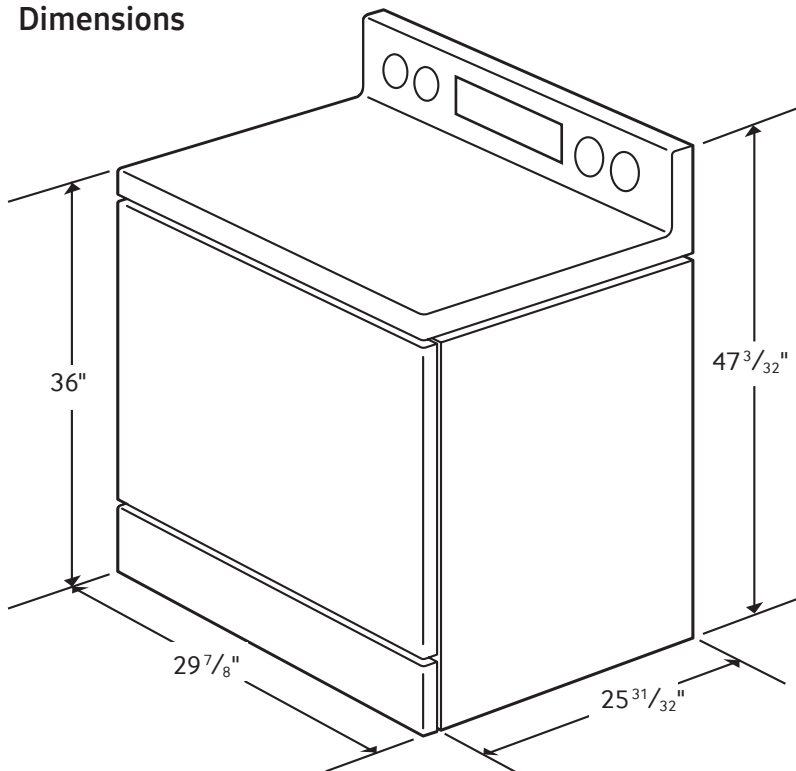
If cabinet storage is to be provided, the risk can be reduced by installing a range hood that projects horizontally a minimum of 5" beyond the bottom of the cabinets.

A: Required Cabinet Opening is 30"

B: Acceptable Electrical Outlet Space



Dimensions



Radiant Ceramic Cooktop

- Right Front: 6"/9"/12", 3.0 kW
- Left Front: 7", 1.8 kW (bridge)
- Right Rear: 6", 1.2 kW
- Left Rear: 7", 1.8 kW (bridge)
- Center Rear: Warming Center, 7"

Dual Oven (with Divider)

- Hidden Bake Element
- Bake: 175°F–550°F
- Convection Bake: 175°F–550°F
- Convection Roast: 175°F–550°F
- Broil: Low/High
- Convection Element/Heater: 1250 W
- Proofing
- Sabbath Mode

Warming Drawer

- Capacity: 1.4 cu. ft.
- Heating Performance: 600 W (4 pass)
- Temperature Settings: High, Medium, Low

Warranty

One (1) Year All Parts and Labor
Five (5) Years Electric Cooktop

Product Dimensions & Weight (WxHxD)

Actual Oven Dimensions: 25" x 20²⁵/₃₂" x 18¹⁵/₁₆"

Outside Net Dimensions: 29⁷/₈" x 47³/₃₂" x 25³¹/₃₂"

Weight: 192.7 lbs.

Shipping Dimensions & Weight (WxHxD)

Dimensions: 33¹/₃₂" x 50²⁵/₆₄" x 30⁹/₃₂"

Weight: 216.9 lbs.

Color

Stainless Steel

Black Stainless Steel

Model

NE59T7851WS

NE59T7851WG

UPC Code

887276381329

887276381312