

NE63T8711SS

SAMSUNG

6.3 cu. ft. Slide-In Electric Range



Signature Features

Intelligent User Experience

- Simplified control panel remembers your cooking habits while offering intuitive messaging on an LCD with one knob and minimum buttons.

Air Fry

- The ideal way to cook healthier fried food as it eliminates excess fat, but everything is still crispy and brown outside and juicy inside.

True Convection

- A heated fan distributes heat all around the oven and keeps the temperature constant so dishes are cooked quickly and thoroughly.

Wi-Fi Connectivity


- Monitor and control the oven using the SmartThings App¹. And control the oven with your voice using a voice assistant², such as Samsung Bixby³, Amazon Alexa or Google Assistant.

Fingerprint Resistant Finish

- Prevents surfaces from being covered in unsightly fingerprints or marks and smudges.

Available Colours

 Fingerprint Resistant
Stainless Steel (shown)

 Fingerprint Resistant
Black Stainless Steel



Air Fry



True Convection

Features

- Intelligent User Experience
- Air Fry with included Air Fry Rack
- True Convection
- Wi-Fi Connectivity
- Voice Control
- Fingerprint Resistant Finish
- Slide-In Design
- Flexible Cooktop – 5 Electric Elements
- Large Oven Capacity: 6.3 cu. ft.
- Storage Drawer
- Hidden Bake Element

Convenience

- Self & Steam Clean
- Illuminated Knobs
- Auto Oven Light
- Proofing
- Kitchen Timer
- Delay Start
- Auto Shut-Off Option
- Child Safety Lock
- Easy Preset Cook Options
- Sabbath Mode
- Temperature Probe

¹Available on Android and iOS devices. A Wi-Fi connection and a Samsung account are required.

²A Wi-Fi connection is required.

³Bixby is Samsung's brand of artificial intelligence (AI) / Internet of Things (IoT) voice assistant. A Samsung account is required.

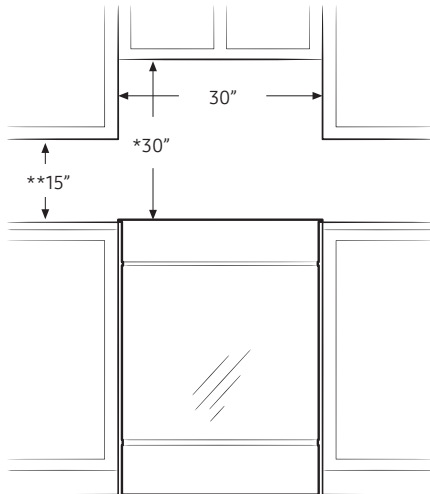
NE63T8711SS

SAMSUNG

6.3 cu. ft. Slide-In Electric Range

Installation Specifications

IMPORTANT: To eliminate the risk of burns or fire caused by reaching over heated surface units, avoid having cabinet storage space located above the surface units. If you have cabinet storage space over the heating elements, you can reduce the risk by installing a range hood that projects horizontally a minimum of 5 inches beyond the bottom of the cabinets.



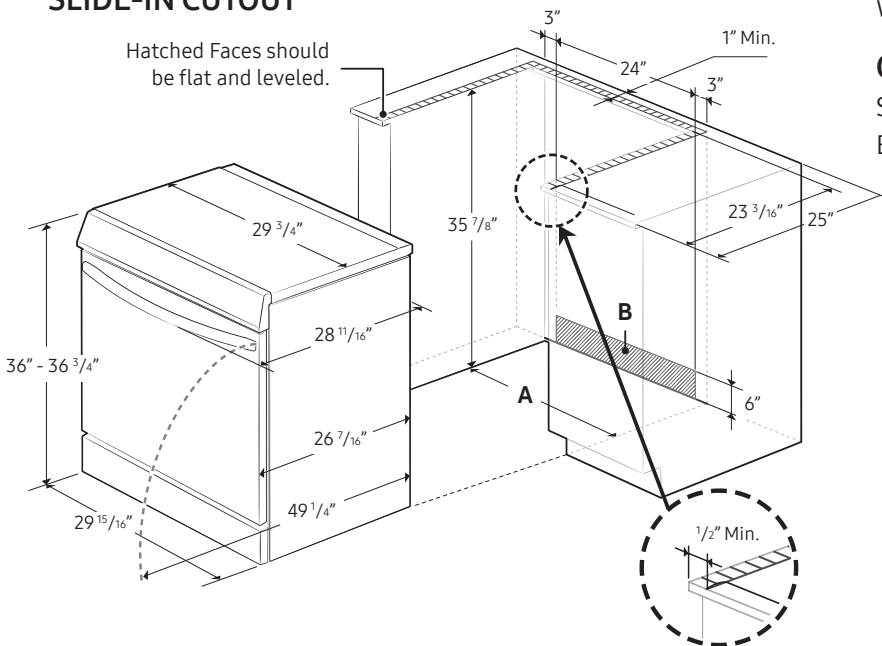
* A minimum of 30" is required between the top of the cooking surface and the bottom of an unprotected wood or metal cabinet; a minimum of 24" is required if the bottom of the wood or metal cabinet is protected by not less than 1/4" of flame retardant millboard covered with not less than no.28 MSG of sheet steel, 0.015" of stainless steel, 0.024" of aluminum, or 0.020" of copper.

** A minimum of 15" is required between the countertop and the adjacent cabinet bottom.

Dimensions

CAUTION: This range has been designed to comply with the maximum allowable wood cabinet temperatures of 194 °F. Make sure the wall covering, countertops, and cabinets around the range can withstand the heat (up to 194 °F) generated by the range. If not, discolouration, delamination, or melting may occur.

SLIDE-IN CUTOUT



Power Source

240V/60Hz/40A

Electric Ceramic Cooktop

- Right Front: 6"/9"/12", 3000W
- Left Front: 6"/9", 3600W
- Right Rear: 6", 1200W
- Left Rear: 6", 1200W
- Warm Center: 7", 100W

Oven

- Hidden Bake Element: 3000W
- Bake: 175°F - 550°F
- Convection Bake: 175°F - 550°F
- Convection Roast: 175°F - 550°F
- Broil: (Low - High)
- Convection Element/Heater: 1250W
- Proofing
- Sabbath Mode

Storage Drawer

- Capacity: 1.0 cu. ft.

Warranty

One (1) Year Parts and Labour

Product Dimensions & Weight (WxHxD)

Outside Dimensions:

29¹⁵/₁₆" x 36"-36³/₄" x 28¹¹/₁₆"

Weight: 174.8 lbs (79.3 Kg)

Shipping Dimensions & Weight (WxHxD)

Dimensions: 33¹/₁₆" x 41³/₄" x 30⁵/₁₆"

Weight: 201.3 lbs (91.3 Kg)

Colour

Stainless Steel

Black Stainless Steel

Model

NE63T8711SS

NE63T8711SG

UPC Code

887276414997

887276414980