

NX60T8511SS

SAMSUNG

6.0 cu. ft. Slide-In Gas Range



Signature Features

Air Fry

- The ideal way to cook healthier fried food as it eliminates excess fat, but everything is still crispy and brown outside and juicy inside.

Wi-Fi Connectivity

- Monitor and control the oven using the SmartThings App¹. And control the oven with your voice using a voice assistant², such as Samsung Bixby³, Amazon Alexa or Google Assistant.

True Convection

- A heated fan distributes heat all around the oven and keeps the temperature constant so dishes are cooked quickly and thoroughly.


Powerful, Flexible Cooktop

- Cook fast with 5 specialized burners, a 16K BTU Power Burner and one 5K Simmer Burner.

Fingerprint Resistant Finish

- Prevent surfaces from being covered in unsightly fingerprints or marks and smudges.

Available Colours

 Fingerprint Resistant
Stainless Steel (shown)

 Fingerprint Resistant
Black Stainless Steel



Air Fry



True Convection

Features

- Air Fry with included Air Fry Rack
- True Convection
- Wi-Fi Connectivity
- Voice Control
- Flexible Cooktop
- Fingerprint Resistant Finish

- Large Capacity – 6.0 cu. ft.
- 5 Gas Burners
- 5K Simmer Burner
- Wide View Window
- Reversible Cast Iron Grate
- Storage Drawer

Convenience

- Self Clean
- 2 Chrome Racks
- Auto Oven Light
- Sabbath Mode
- Kitchen Timer
- Delay Start
- Auto Shut-Off Option
- Child Safety Lock

¹Available on Android and iOS devices. A Wi-Fi connection and a Samsung account are required.

²A Wi-Fi connection is required.

³Bixby is Samsung's brand of artificial intelligence (AI) / Internet of Things (IoT) voice assistant. A Samsung account is required.

NX60T8511SS

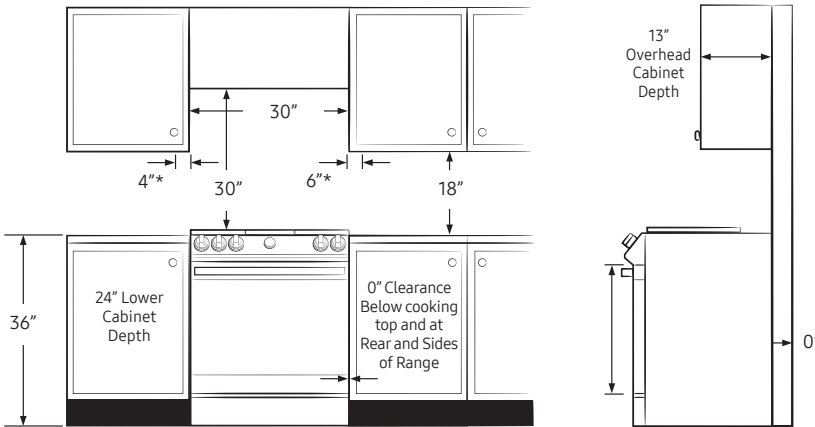
SAMSUNG

6.0 cu. ft. Slide-In Gas Range

Installation Specifications

BEFORE YOU BEGIN to install this appliance, refer to the following information, dimensions, and clearances. **Do not locate the range where it may be subject to strong drafts.** Provide adequate clearances between the range and adjacent combustible surfaces. These dimensions must be met for safe use of the range. The location of the electrical outlet and gas piping may be adjusted to meet the following dimensions and clearances. **For installation in Canada, a free-standing range is not to be installed closer than 4.7 in (12 cm) from any adjacent surface.**

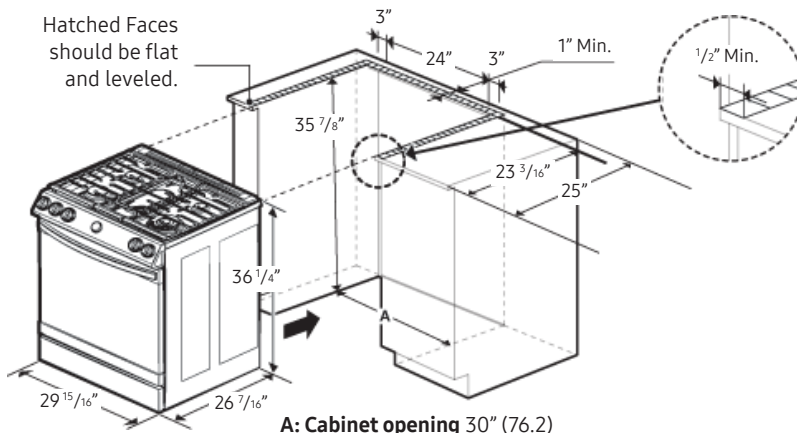
*Side clearance above cooking surface to any objects, i.e., wall



Dimensions

CAUTION: This range has been designed to comply with the maximum allowable wood cabinet temperature of 194 °F (90 °C). Make sure the wall covering, countertops, and cabinets around the range can withstand the heat (up to 194 °F [90 °C]) generated by the range. If not, discoloration, delamination, or melting may occur.

SLIDE-IN CUTOUT



A: Cabinet opening 30" (76.2)

IMPORTANT: If your cabinet have height over 36 1/4", this range cannot be installed without supporting unit like hard block.

Total Power

58.5K BTU

Power Source

120V/60Hz/40A

5-Burner Cooktop

- Right Front: 18K BTU
- Left Front: 16K BTU
- Right Rear: 5K BTU
- Left Rear: 9.5K BTU
- Centre (Oval): 10K BTU

Oven: 6.0 cu. ft. Capacity

- Bake: 175°F–550°F
- Bake Burner: 18K BTU
- Broil Burner: 16.5K BTU
- Variable Broil: Low/High (375°F–480°F)
- Sabbath Mode

Storage Drawer

- Capacity: 1.0 cu. ft.

Warranty

One (1) Year Parts and Labour

Product Dimensions & Weight (WxHxD)

Outside Net Dimensions: 29 15/16" x 36 1/4"-37" x 28 11/16"

Weight: 208.1 lbs (94.4 Kg)

Shipping Dimensions & Weight (WxHxD)

Dimensions: 33 1/16" x 41 3/4" x 30 5/16"

Weight: 233.7 lbs (106 Kg)

Colour

Stainless Steel

Model

NX60T8511SS

UPC Code

887276409245

Black Stainless Steel

NX60T8511SG

887276409238

Recommended Locations for Gas Piping and Electrical Outlets

