

RF31FMESBSR

31 cu. ft. 4-Door Refrigerator with Sparkling Water Dispenser and FlexZone™ Drawer

Features

- Automatic Sparkling Water Dispenser
- Ultra-High Capacity – 31 cu. ft.
- Twin Cooling Plus System®
- Ice Master Ice Maker in the Refrigerator
- FlexZone™ Drawer with Temperature Control and Smart Divider
- High-Efficiency LED Lighting
- Slide-in/Flip-up Shelf
- Stainless Steel Accents on Interior Shelving and Door Bins
- EZ-Open Handle™ on FlexZone™ Drawer and Freezer Door
- Stainless-Look Display
- Tempered Glass Spill-Proof Shelves
- Flip-Up Shelf
- Slide-Out Shelves
- Gallon Door Bins
- Two Humidity-Controlled Crispers
- Auto Pull-Out Upper Freezer Drawer

Convenience

- Door Alarm
- Water Filter Indicator



ENERGY STAR® rated:
Rated CEE Tier 2: More Efficient
539 kWh/yr



French Door Design



FlexZone™ Drawer with Temperature Control and Smart Divider

Available Color



Stainless Steel

Signature Features

REFRESHING SPARKLING WATER ANYTIME

- Features convenience of built-in, chilled sparkling or still water dispenser powered by **soda**stream
- Save money and space, and create less waste than when buying bottled sparkling water.
- SodaStream 60L CO₂ carbonators are available for easy exchange at 10,000 locations.

ULTRA-HIGH CAPACITY SAVES YOU TRIPS TO THE MARKET

- Our 31 cu. ft.¹ ultra-high capacity Four-Door has enough room to fit up to 31 bags of groceries.²

¹ Actual size is 30.5 cu. ft.

² Grocery comparison based on each cubic foot of usable space equaling one paper bag.

TWIN COOLING PLUS®

- Refrigerator air is kept at higher, near-commercial grade humidity levels to keep perishable fruits and vegetables fresher longer.
- Drier freezer air means less freezer burn for better-tasting frozen foods.



Ranked **"Highest in Customer Satisfaction with Refrigerators"**
by J.D. Power and Associates.

SAMSUNG

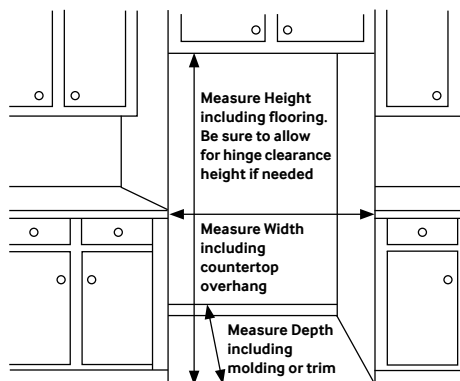
RF31FMESBSR

31 cu. ft. 4-Door Refrigerator with Sparkling Water Dispenser and FlexZone™ Drawer

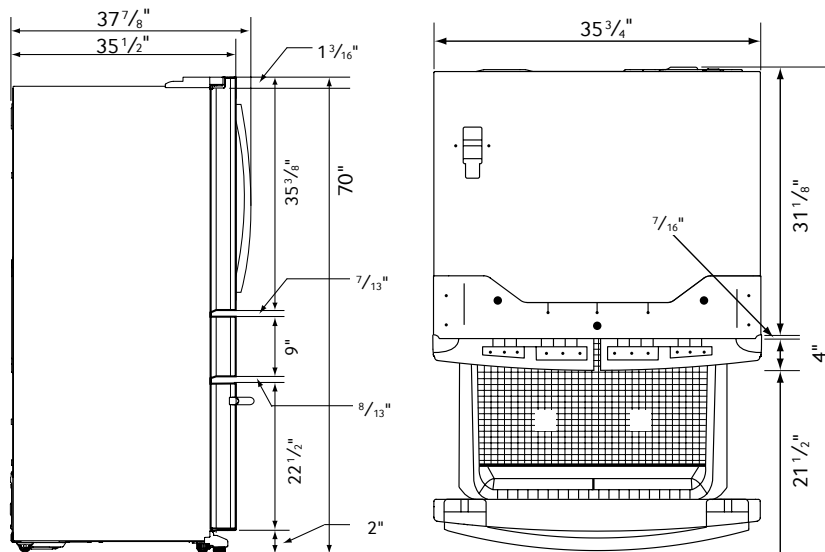
Installing Your Refrigerator

1. Measure the height, width and depth of the opening, making sure to include baseboards, molding tile, countertop overhang, etc. Check to be sure there is enough room to open the door (consider walls, islands or other obstacles when measuring).
2. Refer to illustration below to determine dimensions.
3. Allow 2" of clearance on hinge side of refrigerator when installing next to a wall where handle may make contact.
4. Allow 1" minimum clearance at rear for proper air circulation and water/electrical connections. Allow a 3/8" minimum clearance at sides and top for ease of installation.
5. Ensure each door and entry way in the home is wide enough for the refrigerator to be moved through easily.

Please note: The following dimension and cutout information is for planning purposes only. For complete installation details consult manual packed with product, or download manual on-line at samsung.com.



Dimensions



Total Capacity: 30.5 cu. ft.

Refrigerator: 17.4 cu. ft.

- Premium External Water and Ice Dispenser
 - Still or Sparkling Water
 - Crushed or Cubed Ice
- Ice Master Ice Maker
- High-Efficiency LED Lighting
- 2 Humidity-Controlled Crispers
- 5 Tempered Glass Spill-Proof Shelves
 - 2 Slide-Out
 - 1 Slide-in/Flip-up
 - 1 Flip-Up
 - 1 Full Width
- 6 Clear Door Bins
 - Right Door: 3 Gallon Bins
 - Left Door: 3 Regular Bins

FlexZone Drawer: 4.1 cu. ft.

- EZ-Open Handle™
- 4 Temperature Zones with Smart Divider:
 - Meat/Fish (29°F)
 - Cold Drinks (33°F)
 - Deli/Snacks (37°F)
 - Wine/Party Dishes (42°F)

Freezer: 9.0 cu. ft.

- 1 Large Guard Freezer Bin
- Auto Pull-Out Upper Drawer
- High-Efficiency LED Lighting
- EZ-Open Handle

Accessories

Water Filter: HAF-CIN

Warranty

One (1) Year All Parts and Labor
Five (5) Years Sealed System Parts and Labor

Product Dimensions & Weight

Dimensions (WxHxD with hinges, handles and doors):
35 3/4" x 70" x 37 7/8"

Dimensions (WxHxD without hinges and door):
35 3/4" x 68 7/8" x 31 1/8"

Dimensions (WxHxD with hinge and door, no handle):
35 3/4" x 70" x 35 1/2"

Weight: 407.9 lbs.

Shipping Dimensions & Weight (WxHxD)

Dimensions: 38 1/4" x 76 5/8" x 38 1/4"

Weight: 432.1 lbs.

Color	Model #	UPC Code
Stainless Steel	RF31FMESBSR/AA	0887276023465

SAMSUNG

Samsung received the highest numerical score for refrigerators in the proprietary J.D. Power and Associates 2012 Kitchen Appliance Study.SM Study based on 12,615 total responses measuring 17 brands and measures opinions of consumers about their refrigerator obtained new in the past 24 months. Proprietary study results are based on experiences and perceptions of consumers surveyed in January-February 2012. Your experiences may vary. Visit jdpower.com.

Actual color may vary. Design, specifications, and color availability are subject to change without notice. Non-metric weights and measurements are approximate.

©2013 Samsung Electronics America, Inc. 85 Challenger Road, Ridgefield Park, NJ 07660. Tel: 800-SAMSUNG. samsung.com. Samsung is a registered trademark of Samsung Electronics Co. Ltd.