

RF24FSEDBSR

24 cu. ft. Counter Depth 4-Door Refrigerator with FlexZone™ Drawer

Features

- 4-Door Counter-Depth Design
- Ultra-High Capacity – 24 cu. ft.
- Twin Cooling Plus System®
- Ice Master Ice Maker in the Refrigerator
- FlexZone™ Drawer with Temperature Control and Smart Divider
- High-Efficiency LED Lighting
- Slide-In/Flip-Up Shelf
- Stainless Steel Accents on Interior Shelving and Door Bins
- EZ-Open Handle™ on FlexZone™ Drawer and Freezer Door
- Stainless-Look Display
- Flip-Up Shelves
- Slide-Out Shelves
- Gallon Door Bins
- Two Humidity-Controlled Crispers
- Tempered Glass Spill-Proof Shelves
- Auto Pull-Out Upper Freezer Drawer

Convenience

- Door Alarm
- Water Filter Indicator



ENERGY STAR® rated:
Rated CEE Tier 3: Most Efficient
473 kWh/yr



Ranked **“Highest in Customer Satisfaction with Refrigerators”**
by J.D. Power and Associates.



French Door design provides easy access to fresh food and flexible storage options.



FlexZone Drawer with Temperature Control and Smart Divider.

Available Color



Stainless Steel

Signature Features



Counter
Depth
4-Door

SLEEK, BUILT-IN LOOK

- Stylish, counter-depth design allows for more work space in the kitchen
- Sleek, built-in look enhances overall kitchen design



24 cu. ft.
Ultra-High
Capacity

ULTRA-HIGH CAPACITY SAVES YOU TRIPS TO THE MARKET

Our 24 cu. ft.¹ ultra-high capacity counter-depth Four-Door has enough room to fit up to 24 bags of groceries.²

¹ Actual size is 23.5 cu. ft.

² Grocery comparison based on each cubic foot of usable space equaling one paper bag.



Twin Cooling
Plus®

HELPS PRODUCE STAY FRESHER

- Refrigerator air is kept at higher, near-commercial grade humidity levels to keep perishable fruits and vegetables fresher longer.
- Drier freezer air means less freezer burn for better-tasting frozen foods.

SAMSUNG

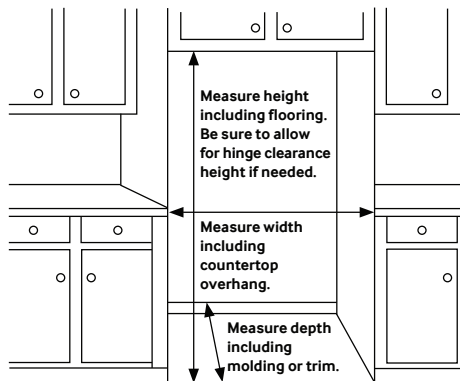
RF24FSEDBSR

24 cu. ft. Counter Depth 4-Door Refrigerator with FlexZone™ Drawer

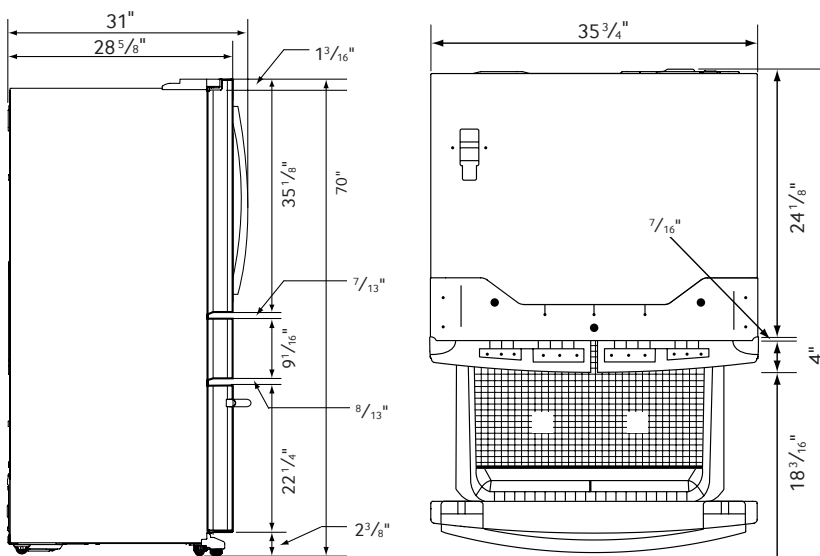
Installing Your Refrigerator

1. Measure the height, width and depth of the opening, making sure to include baseboards, molding tile, countertop overhang, etc. Check to be sure there is enough room to open the door (consider walls, islands or other obstacles when measuring).
2. Refer to illustration below to determine dimensions.
3. Allow 2" of clearance on hinge side of refrigerator when installing next to a wall where handle may make contact.
4. Allow 1" minimum clearance at rear for proper air circulation and water/electrical connections. Allow a 3/8" minimum clearance at sides and top for ease of installation.
5. Ensure each door and entry way in the home is wide enough for the refrigerator to be moved through easily.

Please note: The following dimension and cutout information is for planning purposes only. For complete installation details consult manual packed with product, or download manual on-line at samsung.com.



Dimensions



Total Capacity: 23.5 cu. ft.

Refrigerator: 13.8 cu. ft.

- Premium External Filtered Water and Ice Dispenser
 - Crushed or Cubed Ice
- Ice Master Ice Maker
- High-Efficiency LED Lighting
- 2 Humidity-Controlled Crispers
- 5 Tempered Glass Spill-Proof Shelves
 - 1 Slide-in/Flip-up
 - 1 Flip-Up
 - 1 Full Width
 - 2 Fixed
- 6 Clear Door Bins
 - Right Door: 3 Gallon Bins
 - Left Door: 3 Regular Bins

FlexZone Drawer: 3.3 cu. ft.

- EZ-Open Handle™
- 4 Temperature Zones with Smart Divider:
 - Meat/Fish (29°F)
 - Cold Drinks (33°F)
 - Deli/Snacks (37°F)
 - Wine/Party Dishes (42°F)

Freezer: 6.4 cu. ft.

- 1 Large Guard Freezer Bin
- Auto-Out Upper Drawer
- High-Efficiency LED Lighting
- EZ-Open Handle™

Accessories

Water Filter: HAF-CIN

Warranty

One (1) Year Parts and Labor on Refrigerator
Five (5) Years Parts and Labor on Sealed Refrigeration System Only*
Ten (10) Years Parts and Five (5) Years Labor on Digital Inverter Compressor

*Compressor, evaporator, condenser, drier, connecting tubing

Product Dimensions & Weight

Dimensions (WxHxD with hinges, handles and doors):
35 3/4" x 70" x 31"

Dimensions (WxHxD without hinges and door):
35 3/4" x 68 7/8" x 24 1/8"

Dimensions (WxHxD with hinge and door, no handle):
35 3/4" x 70" x 28 5/8"

Weight: 346.1 lbs.

Shipping Dimensions & Weight (WxHxD)

Dimensions: 38 1/4" x 76 5/8" x 31 1/8"

Weight: 368.2 lbs.

Color	Model #	UPC Code
Stainless Steel	RF24FSEDBSR/AA	0887276023458

SAMSUNG

Samsung received the highest numerical score for refrigerators in the proprietary J.D. Power and Associates 2012 Kitchen Appliance Study.SM Study based on 12,615 total responses measuring 17 brands and measures opinions of consumers about their refrigerator obtained new in the past 24 months. Proprietary study results are based on experiences and perceptions of consumers surveyed in January-February 2012. Your experiences may vary. Visit jdpower.com.

Actual color may vary. Design, specifications, and color availability are subject to change without notice. Non-metric weights and measurements are approximate.

©2013 Samsung Electronics America, Inc. 85 Challenger Road, Ridgefield Park, NJ 07660. Tel: 800-SAMSUNG. samsung.com. Samsung is a registered trademark of Samsung Electronics Co. Ltd.