



RF260BEAESR

26 cu.ft. French Door with Filtered Ice Maker

Features

- First to meet 2014 Federal Energy Standards
- Large Storage Capacity – 26 cu. ft.**
- Additional Filtered Ice Maker in the Freezer
- High Efficiency LED Lighting
- Twin Cooling Plus®
- Cool Select Pantry™ with Temperature Control
- Power Freeze and Power Cool Options
- Two Humidity Controlled Crispers
- Tempered Glass Spill Proof Shelves
- Gallon Door Bins
- EZ-Open Handle™ on Freezer Door
- Auto Out Upper Freezer Drawer

Convenience

- Cool Tight Door
- Door Alarm
- Water Filter Indicator
- Removable Ice Caddy

Energy Star Rated

620 kWh / year



Ranked "Highest in Customer Satisfaction with Refrigerators" by J.D. Power and Associates.*



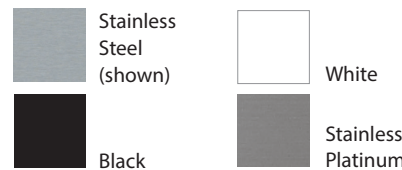
French Door design provides easy access to fresh food and flexible storage options.



Cool Select Pantry™

Signature Features

Available Colors



Cool Select Pantry™ A Fridge within a Fridge

A drawer features an independent fan system that quickly chills room temperature beverages. Ideal for defrosting items safely within a controlled and isolated space.

Twin Cooling Plus® Helps Produce Stay Fresher

Refrigerator air is kept at higher, near-commercial grade humidity levels to keep perishable fruits and vegetables from spoiling.

High-Efficiency LED Lighting Illuminates Virtually Every Corner.

Samsung's new high-efficiency LED lighting gently brightens the interior of your beautifully organized refrigerator.

* Samsung received the highest numerical score for refrigerators in the proprietary J.D. Power and Associates 2012 Kitchen Appliance Study™. Study based on 12,615 total responses measuring 17 brands and measures opinions of consumers about their refrigerator obtained new in the past 24 months. Proprietary study results are based on experiences and perceptions of consumers surveyed in January-February 2012. Your experiences may vary. Visit jdpower.com.

** 25.5 cu. ft. measured as per Department of Energy



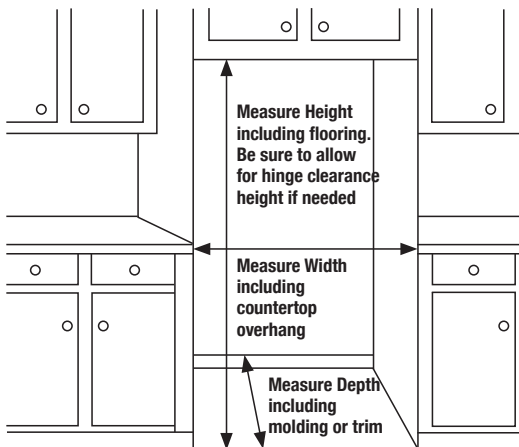
RF260BEAESR

26 cu.ft. French Door with Filtered Ice Maker

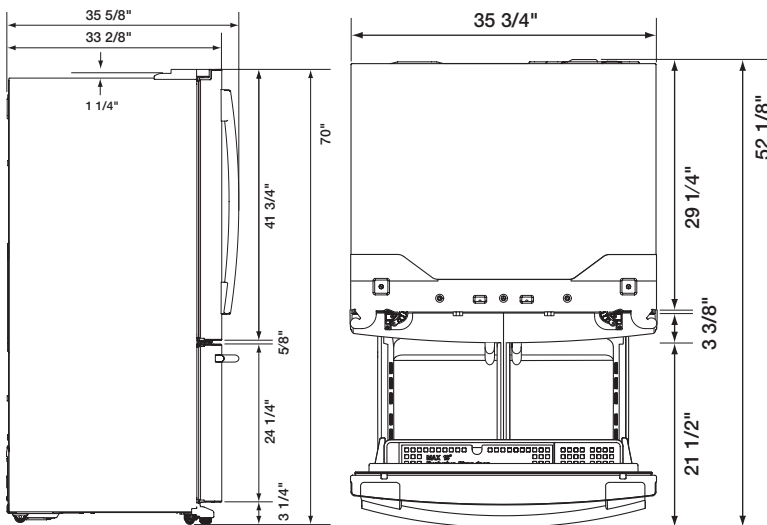
Installing your Refrigerator

1. Measure the height, width and depth of the opening, making sure to include baseboards, molding tile, countertop overhang, etc. Check to be sure there is enough room to open the door (consider walls, islands or other obstacles when measuring).
2. Refer to chart B below to determine dimensions.
3. Allow 2" of clearance on hinge side of refrigerator when installing next to a wall where handle may make contact.
4. Allow 1" minimum clearance at rear for proper air circulation and water/electrical connections. Allow a 3/8" minimum clearance at sides and top for ease of installation.
5. Ensure each door and entry way in the home is wide enough for the refrigerator to be moved through easily.

Please note: The following dimension and cutout information is for planning purposes only. For complete installation details consult manual packed with product, or download manual on-line at samsung.com.



Dimensions



Total Capacity: 25.5 cu. ft.

Refrigerator: 17.5 cu. ft.

- High Efficiency LED Lighting
- Cool Select Pantry™ with Temperature Control
- 2 Humidity Controlled Crispers
- 5 Tempered Glass Spill Proof Shelves
 - 3 Slide Out
 - 1 Slide In
 - 1 Full Width
- 6 Clear Door Bins
 - Right Door: 3 Gallon Bins
 - Left Door: 3 Gallon Bins

Freezer: 8.0 cu. ft.

- 1 Large Opaque Freezer Bin with Divider
- Auto Pull Out Upper Drawer
- Filtered Ice Maker – Cubed
- High Efficiency LED Lighting

Accessories:

Water Filter: HAF-CIN

Warranty

One (1) Year All Parts and Labor
Ten (10) Years Sealed System Parts and Labor

Product Dimensions + Weight

Dimensions: (WxHxD)
(Without Hinges): 35 5/8" x 68 5/8" x 33 1/4"
(With Hinges): 35 5/8" x 70" x 33 1/4"
(With Hinges + Door Handles): 35 5/8" x 70" x 35 5/8"
Weight: 306.4 lbs / 139 kg

Shipping Dimensions + Weight

Dimensions: (WxHxD)
38 5/8" x 75 5/8" x 36 5/8"
Weight: 332.9 lbs / 151 kg

Color	Model #	UPC Code
Stainless Steel	RF260BEAESR	036725590175
White	RF260BEAEWW	036725590205
Black	RF260BEAEBC	036725590199
Stainless Platinum	RF260BEAESP	036725590182

Some hinges cannot be removed, please refer to the dimensions with hinges for product install and delivery dimensions

Actual color may vary. Design, specifications, and color availability are subject to change without notice. Non-metric weights and measurements are approximate.

©2012 Samsung Electronics America, Inc. 85 Challenger Road Ridgefield Park, NJ 07660. Tel: 800-SAMSUNG www.samsung.com. Samsung is a registered trademark of Samsung Electronics Co. Ltd.