



# RF263BEAESR

## 26 cu.ft. French Door with External Water & Ice Dispenser

### Features

- Large Storage Capacity – 26 cu. ft.\*\*
- IceMaster™ Ice Maker in the Refrigerator
- High Efficiency LED Lighting
- Twin Cooling Plus®
- Tall and Wide External Filtered Water and Ice Dispenser
- Cool Select Pantry™ with Temperature Control
- Power Freeze and Power Cool Options
- Two Humidity Controlled Crispers
- Tempered Glass Spill Proof Shelves
- Gallon Door Bins
- EZ-Open Handle™ on Freezer Door
- Auto Out Upper Freezer Drawer

### Convenience

- Cool Tight Door
- Door Alarm
- Water Filter Indicator

### Energy Star Rated

Rated CEE Tier 3: Most Efficient  
475 kWh / year



Ranked **“Highest in Customer Satisfaction with Refrigerators”** by J.D. Power and Associates.\*



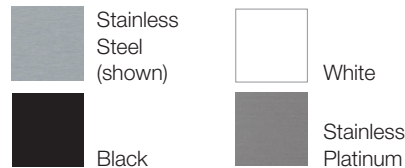
French Door design provides easy access to fresh food and flexible storage options.



Cool Select Pantry™

### Signature Features

#### Available Colors



#### IceMaster™ Up to 10 lbs. of Ice Daily for Family and Friends

Our IceMaster™ makes up to 10 lbs. of ice per day. Plus, Samsung's IceMaster™ takes up less room in your refrigerator

#### Twin Cooling Plus® Helps Produce Stay Fresher

Refrigerator air is kept at higher, near-commercial grade humidity levels to keep perishable fruits and vegetables from spoiling.

#### High-Efficiency LED Lighting Illuminates Virtually Every Corner.

Samsung's new high-efficiency LED lighting gently brightens the interior of your beautifully organized refrigerator.

\* Samsung received the highest numerical score for refrigerators in the proprietary J.D. Power and Associates 2012 Kitchen Appliance Study™. Study based on 12,615 total responses measuring 17 brands and measures opinions of consumers about their refrigerator obtained new in the past 24 months. Proprietary study results are based on experiences and perceptions of consumers surveyed in January-February 2012. Your experiences may vary. Visit [jdpower.com](http://jdpower.com).

\*\* 25.6 cu. ft. measured as per Department of Energy



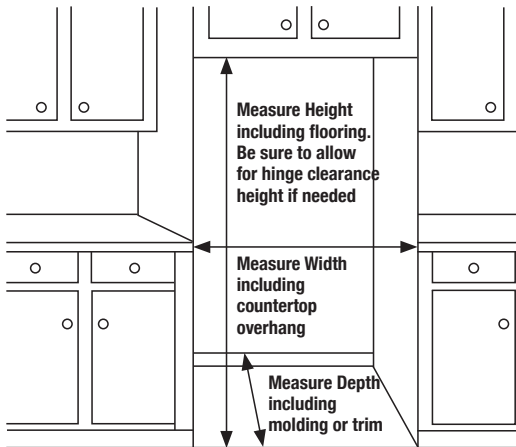
# RF263BEAESR

## 26 cu.ft. French Door with External Water & Ice Dispenser

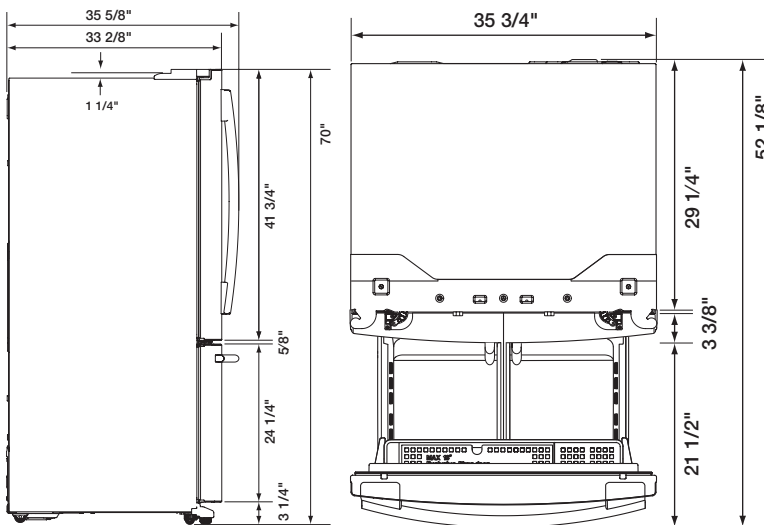
### Installing your Refrigerator

1. Measure the height, width and depth of the opening, making sure to include baseboards, molding tile, countertop overhang, etc. Check to be sure there is enough room to open the door (consider walls, islands or other obstacles when measuring).
2. Refer to chart B below to determine dimensions.
3. Allow 2" of clearance on hinge side of refrigerator when installing next to a wall where handle may make contact.
4. Allow 1" minimum clearance at rear for proper air circulation and water/electrical connections. Allow a 3/8" minimum clearance at sides and top for ease of installation.
5. Ensure each door and entry way in the home is wide enough for the refrigerator to be moved through easily.

Please note: The following dimension and cutout information is for planning purposes only. For complete installation details consult manual packed with product, or download manual on-line at [samsung.com](http://samsung.com).



### Dimensions



**Total Capacity: 25.6 cu. ft.**

**Refrigerator: 17.7 cu. ft.**

Tall and Wide External Filtered Water and Ice Dispenser

IceMaster™ Ice Maker

High Efficiency LED Lighting

Cool Select Pantry™ with Temperature Control

2 Humidity Controlled Crispers

5 Tempered Glass Spill Proof Shelves

- 2 Slide Out
- 1 Slide In
- 1 Extending Half Shelf
- 1 Full Width

6 Clear Door Bins

- Right Door: 3 Gallon Bins
- Left Door: 3 Regular Bins

**Freezer: 7.9 cu. ft.**

- 1 Large Opaque Bin with 2 Dividers
- Auto Pull Out Clear Upper Drawer
- High Efficiency LED Lighting

### Accessories:

Water Filter: HAF-CIN

### Warranty

One (1) Year All Parts and Labor

Five (5) Years Sealed System Parts and Labor

### Product Dimensions + Weight

Dimensions: (WxHxD)

(Without Hinges): 35 5/8" x 68 5/8" x 33 1/4"

(With Hinges): 35 5/8" x 70" x 33 1/4"

(With Hinges + Door Handles): 35 5/8" x 70" x 35 5/8"

Weight: 307.5 lbs / 139.5 kg

### Shipping Dimensions + Weight

Dimensions: (WxHxD)

38 5/8" x 75 5/8" x 36 5/8"

Weight: 334 lbs / 151.5 kg

Color	Model #	UPC Code
Stainless Steel	RF263BEAESR	036725590045
White	RF263BEAEWW	036725590076
Black	RF263BEAEBC	036725590069
Stainless Platinum	RF263BEAESP	036725590052

Some hinges cannot be removed, please refer to the dimensions with hinges for product install and delivery dimensions

Actual color may vary. Design, specifications, and color availability are subject to change without notice. Non-metric weights and measurements are approximate.

©2012 Samsung Electronics America, Inc. 85 Challenger Road Ridgefield Park, NJ 07660. Tel: 800-SAMSUNG [www.samsung.com](http://www.samsung.com). Samsung is a registered trademark of Samsung Electronics Co. Ltd.