

RT18M6213SR

SAMSUNG

Samsung Top-Freezer Refrigerator

18 cu. ft. Capacity



Signature Features

FlexZone™

- Versatile fridge compartment that converts freezer to fridge.

Twin Cooling Plus®

- Maintains both high levels of refrigerator humidity to keep perishable fruits and vegetables fresher longer, and dry freezer conditions means less freezer burn for better-tasting frozen foods.

Slide & Reach Pantry

- Easily access all your favorite foods.

Available Colors



Stainless Steel



Black Stainless Steel (shown)



White



FlexZone™



Slide & Reach Pantry

Features

- Large Capacity – 18 cu. ft.
- ENERGY STAR® Compliant
- Twin Cooling Plus® (FlexZone™)
- True No-Frost Technology
- LED Top Lighting
- Fresh Room
- Vegetable Bins
- Dairy Bin

Convenience

- Reversible Door
- Recessed Door Handle

Rating



ENERGY STAR®-rated:
364 kWh/yr
(without ice maker)

RT18M6213SR

SAMSUNG

Samsung Top-Freezer Refrigerator

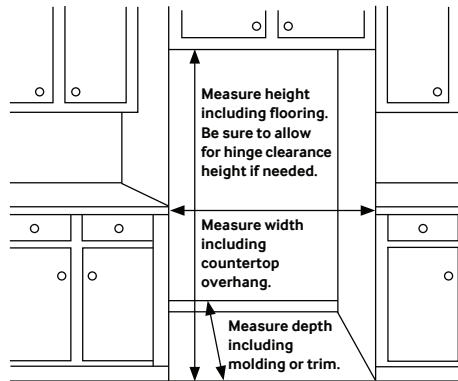
18 cu. ft. Capacity

Installation Specifications

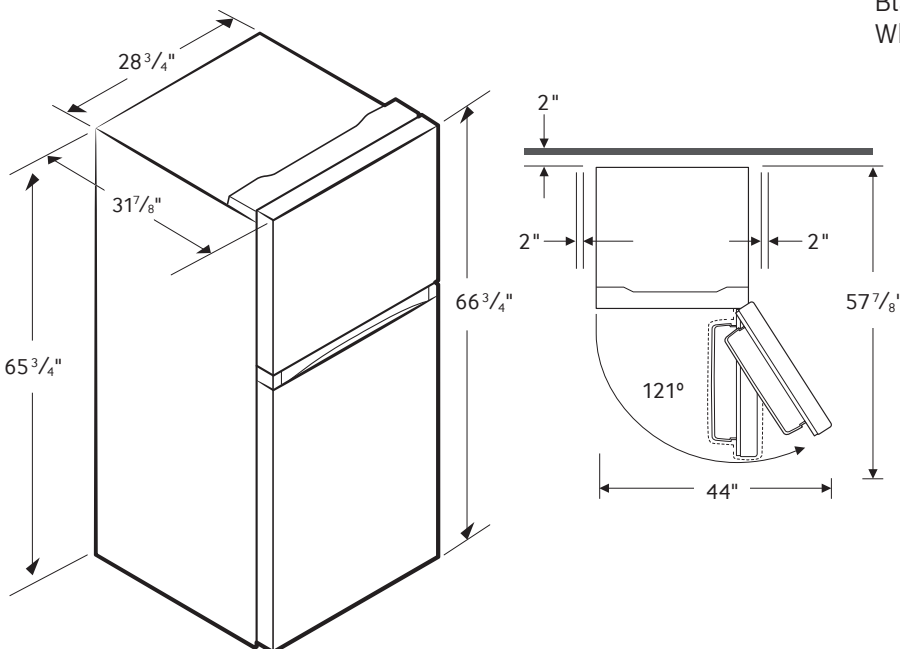
1. Measure the height, width and depth of the opening, making sure to include baseboards, molding tile, countertop overhang, etc. Check to be sure there is enough room to open the door (consider walls, islands or other obstacles when measuring).
2. Refer to illustration below to determine dimensions.
3. Allow 2.5" of clearance on hinge side of refrigerator when installing next to a wall where handle may make contact.
4. Allow 1" minimum clearance at rear for proper air circulation and water/electrical connections. Allow a 3/8" minimum clearance at sides and top for ease of installation.
5. Ensure each door and entryway in the home is wide enough for the refrigerator to be moved through easily.

For optimal usage and to be able to open refrigerator doors completely, do not install next to a wall.

Please note: The following dimension and cutout information is for planning purposes only. For complete installation details, consult manual packed with product, or download manual online at samsung.com.



Dimensions



Total Capacity: 17.6 cu. ft.

Refrigerator: 12.7 cu. ft.

- Fresh Room
- Dairy Bin
- 2 Vegetable Bins
- LED Top Lighting

Fridge in Freezer: 4.9 cu. ft.

- 1 Glass Shelf

Optional Ice Maker Available: RA-TIMO63PP/AA
Samsung Quick-Connect Auto Ice Maker produces 3.75 lbs. of ice per day.

Warranty

Ten (10) Years on Digital Inverter

Product Dimensions & Weight

Dimensions (WxHxD with hinges, handles and doors):
28³/₄" x 66³/₄" x 31⁷/₈"

Dimensions (WxHxD without hinges and door):
28³/₄" x 65³/₄" x 28¹/₂"

Weight: 178.5 lbs.

Shipping Dimensions & Weight (WxHxD)

Dimensions: 30¹/₈" x 70⁵/₈" x 33¹/₂"

Weight: 194 lbs.

Color

Stainless Steel
Black Stainless Steel
White

Model

RT18M6213SR
RT18M6213SG
RT18M6213WW

UPC Code

887276213828
887276213811
887276213835