

RF220NFTAWW

SAMSUNG

22 cu. ft.¹ French Door Refrigerator in White



Signature Features

Large Storage Capacity

- Striking, sleek design with ample interior storage space.
- Enjoy fewer trips to the grocery store thanks to 22 cu. ft. space – fits up to 22 bags of groceries²

High-Efficiency LED Lighting

- High-efficiency design beautifully lights up the interior so you're able to quickly spot what you want.
- Sleek design saves more space than traditional incandescent light bulbs.

Wide Open Pantry

- Store long, flat and wide food items that cannot fit elsewhere. Great for storing party platters and more, without taking up space on other shelves

Fingerprint Resistant Finish

- A special finish to reduce smudges and minimize cleaning

Available Colours



White (shown)



Fingerprint Resistant Black
Stainless Steel



Fingerprint Resistant
Stainless Steel



French Door Design



High-Efficiency LED Lighting

Features

- 30" Wide
- Large Storage Capacity – 22 cu. ft.
- Ice Maker in Freezer
- High-Efficiency LED Lighting
- Wide Open Pantry
- Two Humidity-Controlled Crispers
- Tempered Glass Spill-Proof Shelves
- Auto Pull-Out Upper Freezer Drawer

Convenience

- CoolTight Door
- Door Alarm
- Removable Ice Caddy

Rating

Energy Rating: 630kWh/yr

¹Actual size is 21.8 cu. ft.

²Grocery comparison based on each cubic foot of usable space equaling one paper bag.

RF220NFTAWW

SAMSUNG

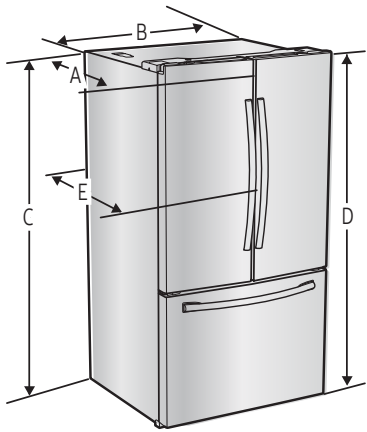
22 cu. ft.¹ French Door Refrigerator in White

Installation Specifications

1. Measure the height, width and depth of the opening, making sure to include baseboards, molding tile, countertop overhang, etc. Check to be sure there is enough room to open the door (consider walls, islands or other obstacles when measuring).
2. Refer to illustration below to determine dimensions.
3. Allow 3.75" of clearance on hinge side of refrigerator when installing next to a wall where handle may make contact.
4. Allow 2" minimum clearance at rear for proper air circulation and water/electrical connections. Allow a 3/8" minimum clearance at sides and top for ease of installation.
5. Ensure each door and entryway in the home is wide enough for the refrigerator to be moved through easily.

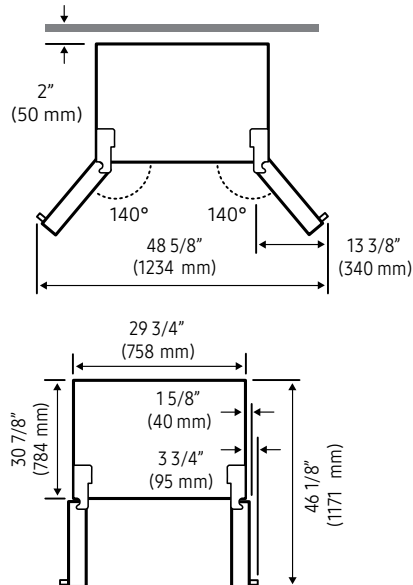
For optimal usage and to be able to open refrigerator doors completely, do not install next to a wall.

Please note: The following dimension and cutout information is for planning purposes only. For complete installation details, consult manual packed with product, or download manual online at samsung.com.



Model	RF220**
Depth "A"	34 3/4" (884 mm)
Width "B"	29 3/4" (758 mm)
Height "C"	65 1/4" (1655 mm)
Overall Height "D"	66 3/4" (1695 mm)
Depth "E"	37 1/4" (944 mm)

Dimensions



- The measurements here are based on the design dimension, which may differ depending on the measuring method.

Total Capacity: 21.8 cu. ft.

Refrigerator: 14.8 cu. ft.

- Wide Open Pantry
- 2 Humidity-Controlled Crispers
- 5 Tempered Glass Spill-Proof Shelves
- 6 Gallon Door Bins
- High-Efficiency LED Lighting

Freezer: 7.0 cu. ft.

- 1 Large Opaque Freezer Bin with Divider
- Auto Pull-Out Upper Drawer Bin
- Ice Maker (Cubed)
- High-Efficiency LED Lighting

Warranty

One (1) Year Parts and Labor on Refrigerator
Ten (10) Years Parts only on Digital Inverter Compressor

Product Dimensions & Weight

Dimensions (WxHxD with hinges, handles and doors):

29 3/4" x 66 3/4" x 36 1/4"

Dimensions (WxHxD without hinges and door):

29 3/4" x 65 3/8" x 30 1/2"

Dimensions (WxHxD with hinge and door, no handle):

29 3/4" x 66 3/4" x 33 7/8"

Weight: 251.3 lbs.

Shipping Dimensions & Weight (WxHxD)

Dimensions: 31 7/8" x 74 3/4" x 36 1/4"

Weight: 275.6 lbs.

Colour	Model #	UPC Code
White	RF220NFTAWW	887276439785
Fingerprint Resistant Black Stainless Steel	RF220NFTASG	887276439778
Fingerprint Resistant Stainless Steel	RF220NFTASR	887276405629