

# RF28R6201SR

SAMSUNG

## 28 cu. ft. 3-Door French Door Refrigerator with CoolSelect Pantry™



### Signature Features

#### Twin Cooling Plus®

- Independent fridge and freezer controls keep food fresh.

#### CoolSelect Pantry™

- Full-width drawer with three temperature control settings to chill or defrost food to ideal temperatures.

#### Ice Max

- Produces up to 10 lbs of ice

#### Wi-Fi and Bixby Enabled

- Use your smartphone to control the temperature and monitor your refrigerator remotely.\*

#### Fingerprint Resistant Finish

- A special finish to reduce smudges and minimize cleaning.

### Available Colours



Fingerprint Resistant  
Stainless Steel (shown)



Fingerprint Resistant  
Black Stainless Steel



CoolSelect Pantry™ with  
Temperature Control



Twin Cooling Plus

### Convenience

- CoolSelect Pantry™ with Temperature Control and Pantry Divider
- Wi-Fi and Bixby Enabled
- Adjustable Shelves for Tall Oversized Items
- Auto Pull-Out Upper Freezer Drawer
- Water Filter Indicator
- Door Alarm
- Sabbath Mode

### Design

- Fingerprint Resistant Finish
- Premium External Filtered Water and Ice Dispenser with Light
- High Efficiency LED Lighting
- Accessibility (ADA Compliant)
- EZ-Open Handle™ on Freezer Door
- Tempered Glass Spill-Proof Shelves
- Gallon Door Bins

### Performance

- Twin Cooling Plus®
- Ice Max - produces up to 10 lbs of ice
- ENERGY STAR® Compliant
- Two Humidity-Controlled Crispers
- Power Freeze and Power Cool Options
- CoolTight Door

\*Samsung Account log-in and data network connection (Wi-Fi or data network) are required. Samsung SmartThings App is required.

### Rating



ENERGY STAR® rated:  
725 kWh/yr

# RF28R6201SR

SAMSUNG

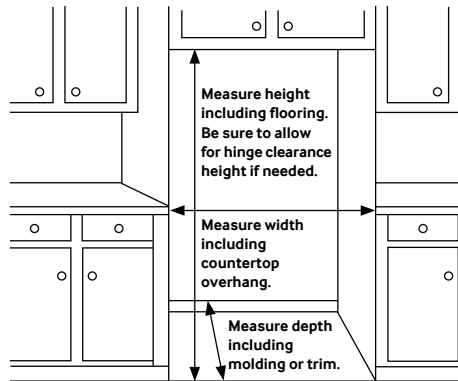
## 28 cu. ft. 3-Door French Door Refrigerator with CoolSelect Pantry™

### Installation Specifications

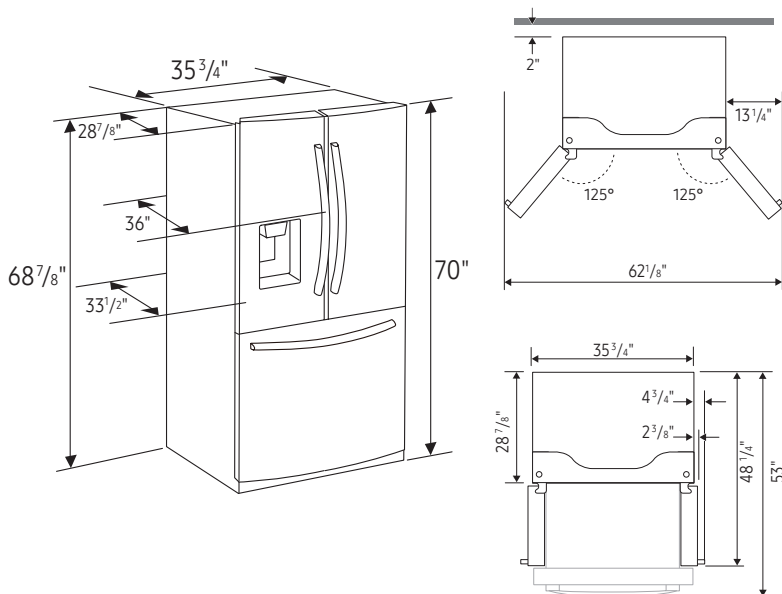
1. Measure the height, width and depth of the opening, making sure to include baseboards, molding tile, countertop overhang, etc. Check to be sure there is enough room to open the door (consider walls, islands or other obstacles when measuring).
2. Refer to illustration below to determine dimensions.
3. Allow 2.5" of clearance on hinge side of refrigerator when installing next to a wall where handle may make contact.
4. Allow 1" minimum clearance at rear for proper air circulation and water/electrical connections. Allow a 3/8" minimum clearance at sides and top for ease of installation.
5. Ensure each door and entryway in the home is wide enough for the refrigerator to be moved through easily.

For optimal usage and to be able to open refrigerator doors completely, do not install next to a wall.

Please note: The following dimension and cutout information is for planning purposes only. For complete installation details, consult manual packed with product, or download manual online at [samsung.com](http://samsung.com).



### Dimensions



**Total Capacity: 28 cu. ft.**

**Refrigerator: 19.1 cu. ft.**

- Premium External Filtered Water and Ice Dispenser
    - Crushed or Cubed Ice
  - Ice Max
  - CoolSelect Pantry™ with Temperature Control – Deli (3°C), Wine (5°C) and Beverage (1°C) Options
  - Pantry Divider
  - 2 Humidity-Controlled Crispers
  - 5 Tempered Glass Spill-Proof Shelves:
    - 1 Slide-In
    - 1 Slide-Out
    - 1 Foldable Half
    - 2 Fixed
  - 6 Clear Door Bins
    - Right Door: 3 Gallon Bins
    - Left Door: 3 Regular Bins
  - Adjustable Shelves for Tall Oversized Items
  - High Efficiency Top LED Lighting
- Freezer: 8.9 cu. ft.**
- EZ-Open Handle™
  - 2 Drawer Dividers
  - High Efficiency LED Lighting

#### Accessories

Water Filter: HAF-QIN

#### Warranty

One (1) Year Parts and Labor on Refrigerator  
Ten (10) Years Parts only on Digital Inverter Compressor

#### Product Dimensions & Weight

Dimensions (WxHxD with hinges, handles and doors):

35 3/4" x 70" x 36"

Dimensions (WxHxD without hinges and door):

35 3/4" x 68 7/8" x 28 7/8"

Dimensions (WxHxD with hinge and door, no handle):

35 3/4" x 70" x 33 1/2"

Weight: 311 lbs

#### Shipping Dimensions & Weight (WxHxD)

Dimensions: 38" x 76 5/8" x 36 1/8"

Weight: 320 lbs

#### Colour

Fingerprint Resistant  
Stainless Steel

#### Model #

RF28R6201SR

#### UPC Code

887276341330

Fingerprint Resistant  
Black Stainless Steel

RF28R6201SG

887276341323

#### Assets

Access RF28R6201SR assets on Box.com –

<https://app.box.com/folder/77514035659>

RF28R6201SG –

<https://app.box.com/folder/77515938051>

If you do not have a BOX account, please email [boxinvites@cheil.com](mailto:boxinvites@cheil.com) for access.