

RF28T5A01SR

SAMSUNG

28.2 cu. ft. 3-Door French Door Refrigerator



Signature Features

Large Capacity

- Stock-up all your food with a huge 28 cu. ft. of storage space. SpaceMax Technology™ creates more room inside without increasing external dimensions or compromising energy efficiency.

All-Around Cooling System

- Cools the entire fridge evenly from corner to corner.

Digital Inverter Compressor

- Automatically adjusts its speed in response to cooling demand across 7 levels. As a result, it's quieter and uses up to 50% less power.

Fingerprint Resistant Finish

- Avoid smudges with fingerprint resistant stainless steel.

Portable Tray

- Allows you to organize your food, like smaller sized fruits, inside your crisper.

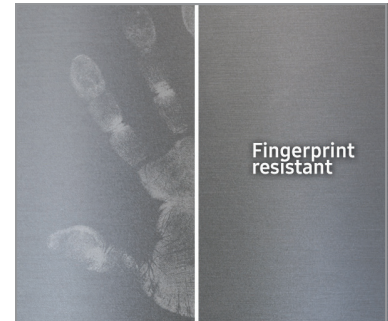
Available Colour



Fingerprint Resistant
Stainless Steel



Large Capacity



Fingerprint Resistant Finish

Features

- Large Capacity - 28.2 cu. ft.
- All-Around Cooling
- Fingerprint Resistant Finish
- High Efficiency LED Lighting
- EZ-Open Handle™
- Adjustable Spill Proof Shelves

Convenience

- Ice Maker
- Door Alarm
- Cool Tight Door
- Power Freeze
- Sabbath Mode

Rating



ENERGY STAR® rated:
CEE Tier1
705 kWh/yr



ADA Compliant

RF28T5A01SR

SAMSUNG

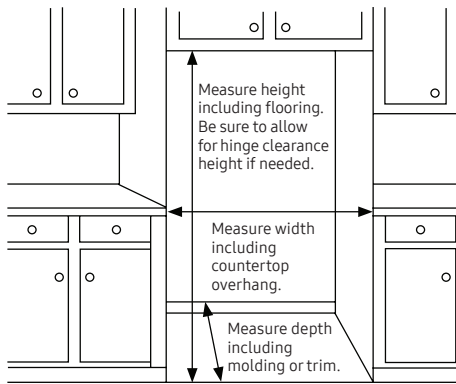
28.2 cu. ft. 3-Door French Door Refrigerator

Installation Specifications

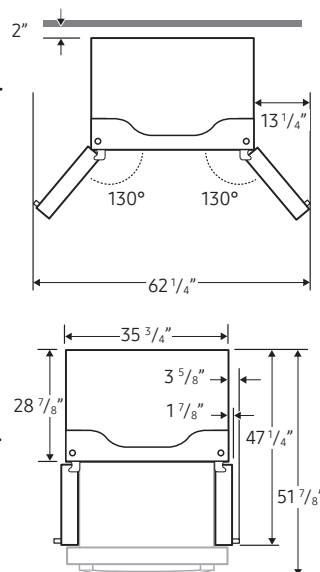
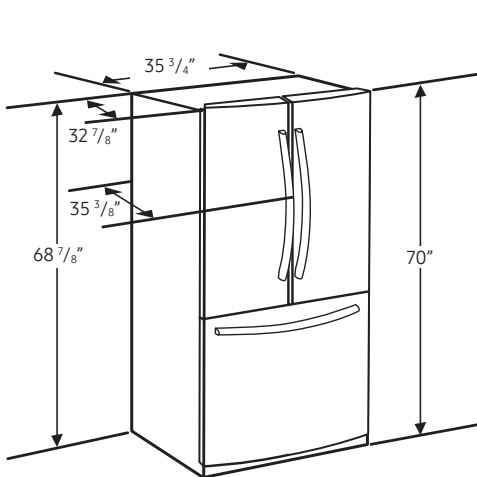
1. Measure the height, width and depth of the opening, making sure to include baseboards, molding tile, countertop overhang, etc. Check to be sure there is enough room to open the door (consider walls, islands or other obstacles when measuring).
2. Refer to illustration below to determine dimensions.
3. Allow 3.75" of clearance on hinge side of refrigerator when installing next to a wall where handle may make contact.
4. Allow 2" minimum clearance at rear for proper air circulation and water/electrical connections. Allow a 3/8" minimum clearance at sides and top for ease of installation.
5. Ensure each door and entryway in the home is wide enough for the refrigerator to be moved through easily.

For optimal usage and to be able to open refrigerator doors completely, do not install next to a wall.

Please note: The following dimension and cutout information is for planning purposes only. For complete installation details, consult manual packed with product, or download manual online at samsung.com.



Dimensions



Total Capacity: 28.2 cu. ft.

Refrigerator: 19.6 cu. ft.

- Full Width Drawer
- 5 Tempered Glass Spill-Proof Shelves
- 2 Humidity-Controlled Crispers
- 6 Door Bins
 - Right Door: 3 Gallon Bins
 - Left Door: 3 Regular Bins
- High Efficiency LED Lighting

Freezer: 8.6 cu. ft.

- EZ-Open Handle™
- 1 Large Opaque Bin with 1 Divider
- Auto Pull-Out Upper Drawer

Warranty

One (1) Year Parts and Labour on Refrigerator
Ten (10) Years Parts on Digital Inverter Compressor

Product Dimensions & Weight (WxHxD)

Dimensions (WxHxD with hinges, handles and doors):

35 6/8" x 70" x 35 3/8"

Dimensions (WxHxD without hinges and door):

35 6/8" x 68 7/8" x 28 7/8"

Dimensions (WxHxD with hinge and door, no handle):

35 6/8" x 70" x 32 7/8"

Weight: 280 lbs (127 Kg)

Shipping Dimensions & Weight (WxHxD)

Dimensions: 37 23/32" x 75 5/16" x 35 29/32"

Weight: 289 lbs (131 Kg)

Colour

Fingerprint Resistant
Stainless Steel

Model

RF28T5A01SR

UPC Code

887276429458