

RF30BB6600QLAA

SAMSUNG

BESPOKE French Door Refrigerator with Beverage Center 30.1 cu. ft.



Signature Features

Customizable Door Panels

Customize the colour of your refrigerator. Choose from eleven colours and two finishes to create a space that fits your style.¹

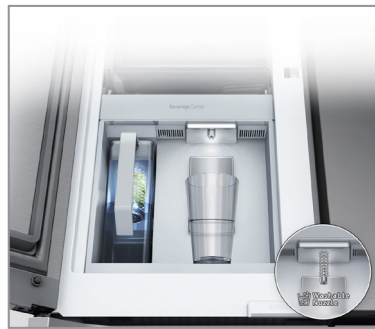
This model ships with Stainless Steel panels.

Beverage Center

Consists of a BPA Free² Autofill Water Pitcher that fills up automatically and a regular Water Dispenser for easy access to a glass of fresh or flavoured water.

Dual Auto Ice Maker

Be prepared for any occasion with two different types of ice. The Dual auto ice maker makes both cubed ice and ice bites.

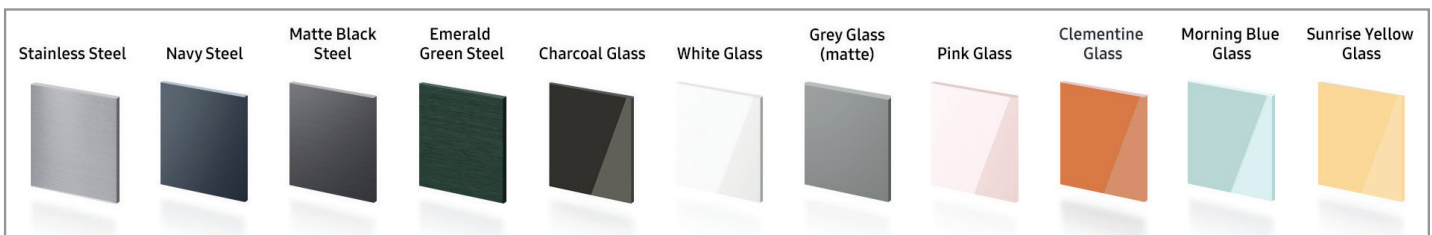


Beverage Center™ with
AutoFill™ Water Pitcher



Dual Ice Maker with Cubed Ice
and IceBites™

BESPOKE Panel Colour Selection



Features

- 36" Wide
- Large Storage Capacity – 30.1 cu. ft.
- BESPOKE - customizable door panels
- Twin Cooling Plus
- Crisper+
- Tempered Glass Spill-Proof Shelves
- Fingerprint Resistant Finish
- Sabbath Mode
- ADA Compliant

Convenience

- Beverage Center
- Dual Auto Ice Maker
- Door Alarm
- Wi-Fi Connectivity
- Power Cool
- Power Freeze

Rating



- ENERGY STAR® - Rated
- Energy Consumption (annual) = 695 kWh/yr

¹ Stainless Steel panels included. Other colour door panels sold separately.

² Does not contain the chemical Bisphenol A.

RF30BB6600QLAA

SAMSUNG

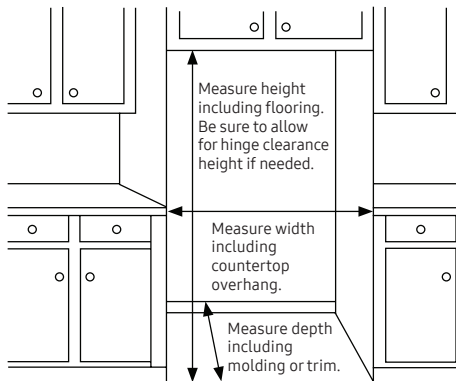
BESPOKE French Door Refrigerator with Beverage Center 30.1 cu. ft.

Installation Specifications

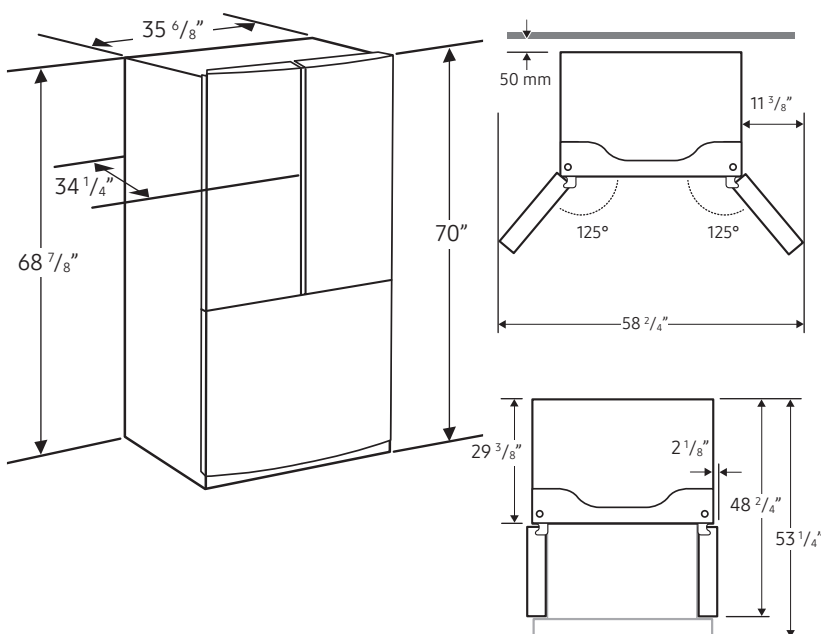
1. Measure the height, width and depth of the opening, making sure to include baseboards, molding tile, countertop overhang, etc. Check to be sure there is enough room to open the door (consider walls, islands or other obstacles when measuring).
2. Refer to illustration below to determine dimensions.
3. Allow $11\frac{3}{8}$ " of clearance on hinge side of refrigerator when installing next to a wall where door may make contact.
4. Allow 2" minimum clearance at rear for proper air circulation and water/electrical connections. Allow a $\frac{3}{8}$ " minimum clearance at sides and top for ease of installation.
5. Ensure each door and entryway in the home is wide enough for the refrigerator to be moved through easily.

For optimal usage and to be able to open refrigerator doors completely, do not install next to a wall.

Please note: The following dimension and cutout information is for planning purposes only. For complete installation details, consult manual packed with product, or download manual online at samsung.com.



Dimensions



Total Capacity: 30.1 cu. ft.

Refrigerator: 21.1 cu. ft.

- 4 Tempered Glass Spill-Proof Shelves
- 2 Clear Drawers including Crisper+
- 8 Door Bins
 - Right: 1 Gallon Bin, 3 Regular Bins
 - Left: 1 Gallon Bin, 3 Regular Bins
- LED Lighting

Freezer: 9 cu. ft.

- Dual Ice Maker in Freezer (Cubed Ice or Ice Bites)
 - 2 Ice Buckets with Cover and 1 Scoop
- 2 Boxes
- LED Lighting

Accessories

Water Filter: HAF-QIN

Volt/Amps	115V / 60Hz / 3.5A
Power Cord Length	2 meters

Warranty

One (1) Year Parts and Labour on Refrigerator
Ten (10) Years Parts on Digital Inverter Compressor

Product Dimensions & Weight (WxHxD)

Dimensions (WxHxD with hinges, handles and doors):

$35\frac{6}{8}$ " x 70" x $34\frac{1}{4}$ "

Dimensions (WxHxD without hinges and door):

$35\frac{6}{8}$ " x $68\frac{7}{8}$ " x $29\frac{3}{8}$ "

Dimensions (WxHxD with hinge and door, no handle):

$35\frac{6}{8}$ " x 70" x $34\frac{1}{4}$ "

Weight: 328.5 lbs (149 kg)

Shipping Dimensions & Weight (WxHxD)

Dimensions: $38\frac{1}{4}$ " x $76\frac{3}{4}$ " x $36\frac{1}{4}$ "

Weight: 352.7 lbs (160 kg)

Style	Model #	UPC
Pre-Built Stainless Steel Panels	RF30BB6600QLAA	887276624419
Without Panels	RF30BB6600APAA	887276624402