

DV422EWHDR

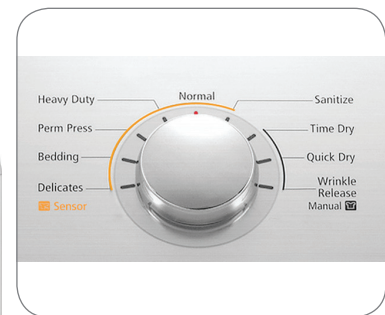
Samsung Top-Load Electric Dryer

Features

- 7.4 cu. ft. Capacity DOE
- 9 Preset Drying Cycles
- 5 Options
- 3 Temperature Settings
- 4-Way Venting
- Sensor Dry – Detects Moisture and Adjusts Time

Convenience

- Child Lock
- Door Safety
- Lint Filter Indicator
- Remaining Time Display
- Adjustable End-of-Cycle Signal



9 Drying Cycles



Sensor Dry

Available Color



White

Signature Features

9 DRYING CYCLES

- Multiple cycles for a better dry include:
 - Normal
 - Sanitize
 - Heavy Duty
 - Time Dry
 - Permanent Press
 - Quick Dry
 - Bedding
 - Wrinkle Release
 - Delicates

SENSOR DRY

- Automatically adjusts drying time by sensing moisture so your clothes don't over or under dry.

WRINKLE PREVENTION OPTION

- Intermittently tumbles clothes at the end of the drying cycle to help prevent wrinkles from setting in.



Ranked **"Highest in Customer Satisfaction with Clothes Dryers"**
by J.D. Power and Associates.

(5 Consecutive Years)

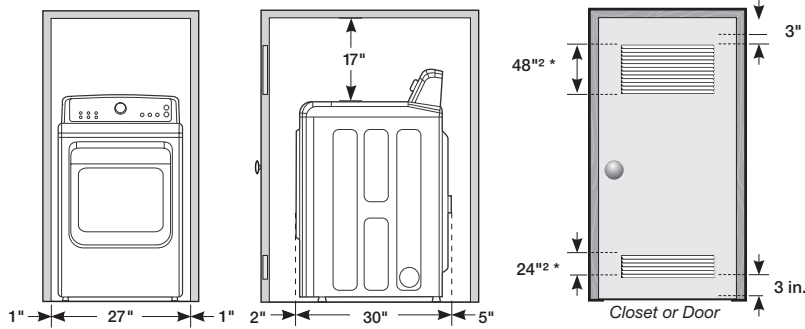
SAMSUNG

DV422EWHDR

Samsung Top-Load Electric Dryer

Installing Your Dryer

Alcove or closet installation



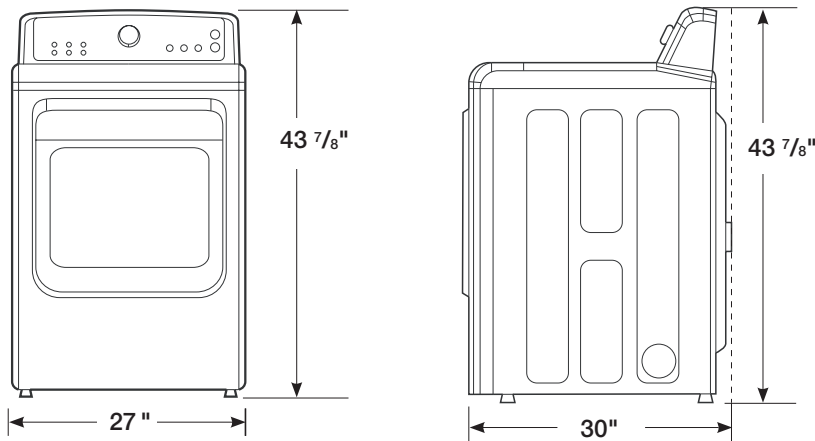
Minimum clearances for closets and alcove:

Sides - 1"
Top - 17"
Rear - 5"
Closet Front - 2"

If the washer and dryer are installed together, the closet front must have at least a 72 in² (465cm²) unobstructed air opening. Your washer alone does not require a specific air opening.

* Required spacing
** External exhaust elbow requires additional space.

Dimensions



7.2 cu. ft. Capacity DOE

4-Way Venting

9 Preset Dry Cycles:

Normal, Heavy Duty, Permanent Press, Bedding, Delicates, Sanitize, Time Dry, Quick Dry, Wrinkle Release

5 Options:

Wrinkle Prevent, Adjust Time, My Cycle, Signal On/Off, Child Lock

3 Temperature Settings:

High, Medium, Low

4 Dry Levels:

Very Dry, More Dry, Normal Dry, Damp Dry

2 Signal Level Settings:

On/Off

Warranty

One (1) Year Parts and Labor
Two (2) Years Control Board

Product Dimensions & Weight (WxHxD)

Dimensions: 27" x 43³/₄" x 30"
Weight: 125.6 lbs

Shipping Dimensions & Weight (WxHxD)

Dimensions: 29¹/₂" x 46¹/₂" x 31¹/₈"
Weight: 134.4 lbs

Color	Model #	UPC Code
White	DV422GWHDR	036725590410

Color	Model #	UPC Code
White	WA422PRHWR	036725590397

SAMSUNG

Actual color may vary. Design, specifications, and color availability are subject to change without notice. Non-metric weights and measurements are approximate. Samsung received the highest numerical score for clothes washers (2009-2012) and dryers (2008-2012) in the proprietary J.D. Power and Associates Laundry Appliance Studies. SM 2012 study based on 9,339 total responses measuring 12 brands, and measures opinions of consumers about their washer and dryer obtained new in the past 24 months. Proprietary study results are based on experiences and perceptions of consumers surveyed in January-February 2012. Your experiences may vary. Visit jdpower.com.

©2013 Samsung Electronics America, Inc. 85 Challenger Road, Ridgefield Park, NJ 07660. Tel: 800-SAMSUNG. samsung.com. Samsung is a registered trademark of Samsung Electronics Co. Ltd.