

# DV45H7200EW

Samsung Top-Load Electric Dryer

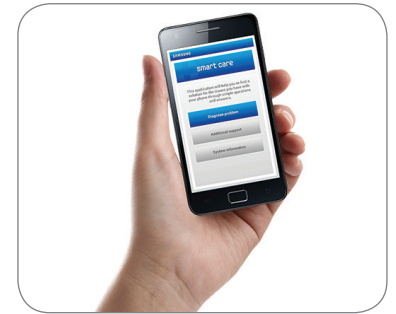
7.4 cu. ft. Capacity DOE

## Features

- Smart Care
- Interior Drum Light
- 11 Preset Drying Cycles
- 7 Options
- 4 Temperature Settings
- 3-Way Venting
- Sensor Dry – Detects Moisture and Adjusts Drying Time
- Reversible See-Through Door

## Convenience

- Child Lock
- Filter Check Indicator



Smart Care



Sensor Dry

## Available Color



## Signature Features

### SMART CARE

- Troubleshoot with your smartphone.
- Perform a quick diagnosis of your washer and dryer right from your smartphone.\*

\*Available for iPhone 4/4S/5/5S and Galaxy S1/S2/S3/S4 NOTE/NOTE2.

### SENSOR DRY

- Automatically adjusts drying time by sensing moisture so your clothes don't over or under dry.

### 7.4 CU. FT. CAPACITY

- With 7.4 cu. ft. capacity, you can dry more laundry in less time.



Ranked **"Highest in Customer Satisfaction with Clothes Dryers"**  
by J.D. Power and Associates.

(5 Consecutive Years)

**SAMSUNG**

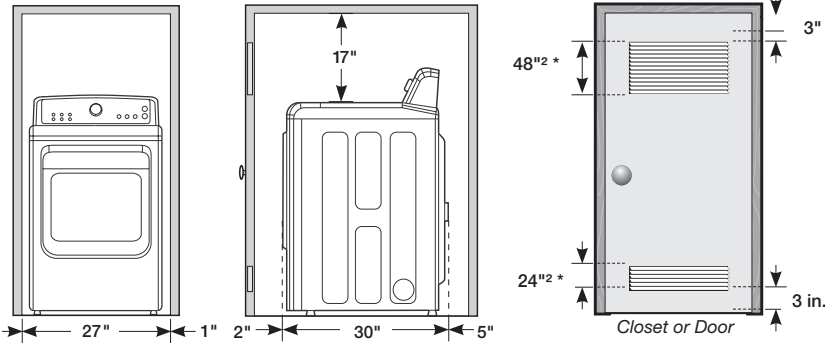
# DV45H7200EW

Samsung Top-Load Electric Dryer

## Installing Your Dryer

Recessed Area

Side View Confined



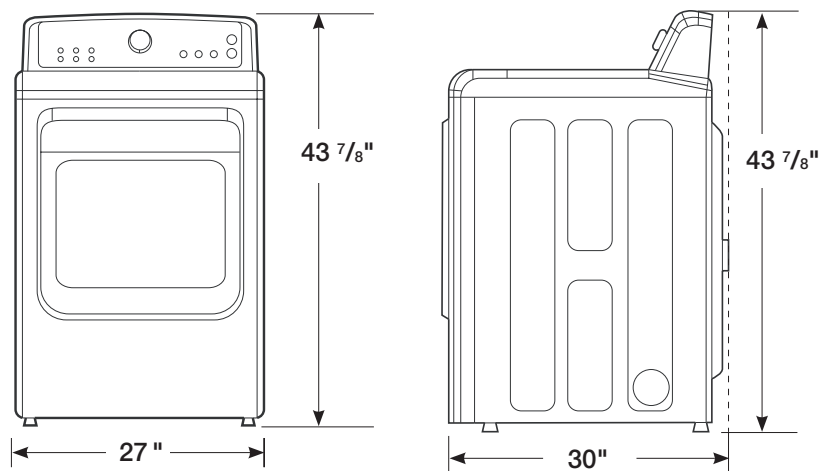
### Minimum clearances for closets and alcove:

Sides - 1"  
Top - 17"  
Rear - 5"  
Closet Front - 2"

If the washer and dryer are installed together, the closet front must have at least a 72 in<sup>2</sup> (465cm<sup>2</sup>) unobstructed air opening. Your washer alone does not require a specific air opening.

\* Required spacing  
\*\* External exhaust elbow requires additional space.

## Dimensions



## 7.4 cu. ft. Capacity DOE

### 4-Way Venting

### 11 Preset Dry Cycles:

Normal, Heavy Duty, Towels, Permanent Press, Bedding, Delicates, Sanitize, Time Dry, Air Fluff, Quick Dry, Wrinkle Release

### 7 Options:

Mixed Load Bell, Wrinkle Prevent, Adjust Time, Child Lock, Sound On/Off, Smart Care, Drum Light

### 4 Temperature Settings:

High, Medium, Low, Extra Low

### 4 Dry Levels:

Very Dry, More Dry, Normal Dry, Damp Dry

### 2 Signal Level Settings:

On/Off

### Warranty

One (1) Year All Parts and Labor

Two (2) Years Control Board

### Product Dimensions & Weight (WxHxD)

Dimensions: 27" x 43 7/8" x 30"

Weight: 126 lbs

### Shipping Dimensions & Weight (WxHxD)

Dimensions: 29 1/2" x 46 1/2" x 31 1/8"

Weight: 134 lbs

### Electric

White

### Model #

DV45H7200EW

### UPC Code

887276963907

### Gas

White

### Model #

DV45H7200GW

### UPC Code

887276963921

### Matching Washer

White

WA45H7200AW

887276857954

Actual color may vary. Design, specifications, and color availability are subject to change without notice. Non-metric weights and measurements are approximate.

**SAMSUNG**

Samsung received the highest numerical score for clothes washers (2009-2012) and dryers (2008-2012) in the proprietary J.D. Power and Associates Laundry Appliance Studies. SM 2012 study based on 9,339 total responses measuring 12 brands, and measures opinions of consumers about their washer and dryer obtained new in the past 24 months. Proprietary study results are based on experiences and perceptions of consumers surveyed in January-February 2012. Your experiences may vary. Visit [jdpower.com](http://jdpower.com).

©2013 Samsung Electronics America, Inc. 85 Challenger Road, Ridgefield Park, NJ 07660. Tel: 800-SAMSUNG. [samsung.com](http://samsung.com). Samsung is a registered trademark of Samsung Electronics Co. Ltd.