

# DV50K7500EV

Samsung Front-Load Electric Dryer

## 7.5 cu. ft. Capacity

### Features

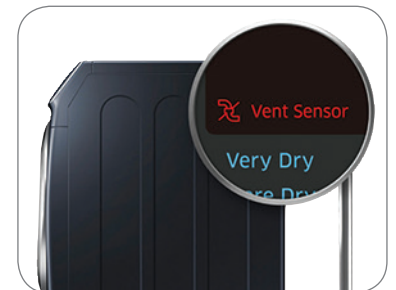
- ENERGY STAR® 2016 Certified
- Multi-Steam Technology:
  - Steam Refresh
  - Steam Wrinkle Away
  - Steam Sanitize
- Vent Sensor™
- Stainless Steel Drum
- Eco Dry Technology
- Smart Home Ready
- Smart Care
- Sensor Dry
- 14 Preset Drying Cycles
- 12 Options
- 5 Temperature Settings
- 4-Way Venting
- Dual Heaters
- Dryer Rack
- Dryer Drum Light
- Reversible See-Through Door

### Convenience

- Child Lock
- My Cycle Option
- Filter Check Indicator



Multi-Steam Technology



Vent Sensor

### Available Colors:



Black Stainless Steel



White

## Signature Features

### ENERGY STAR® 2016 CERTIFIED

- Meets strict energy-consumption requirements.

### MULTI-STEAM TECHNOLOGY

- Helps remove wrinkles and odors, and freshens clothes so you can spend less time ironing and less money at the dry cleaners.

### VENT SENSOR™

- Detects duct blockages and reminds you to clean your vent.
- Conveniently allows you to forward these alerts to your smartphone.

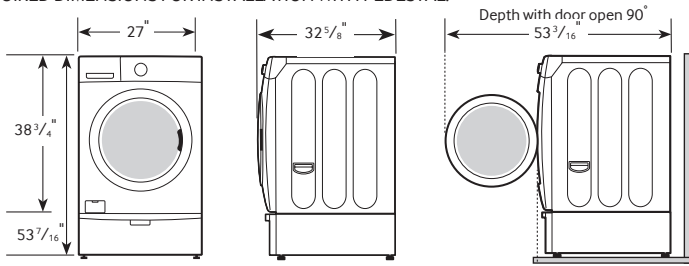
**SAMSUNG**

# DV50K7500EV

## Samsung Front-Load Electric Dryer

### Dimensions

REQUIRED DIMENSIONS FOR INSTALLATION WITH PEDESTAL:

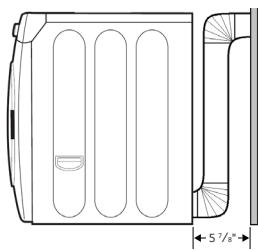
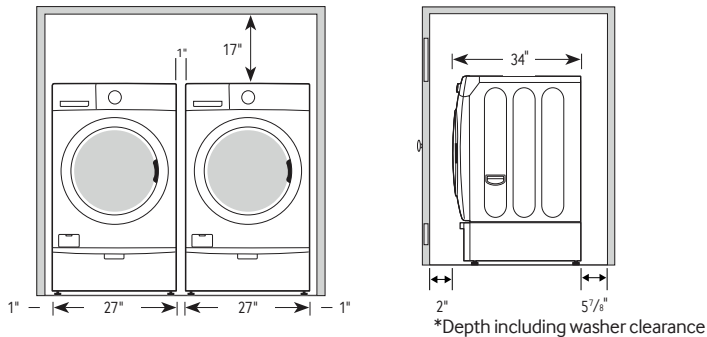


### Installation Specifications

If the washer and dryer are installed together or the dryer alone, the closet front must have two unobstructed air openings for a combined minimum total area of 72 in.<sup>2</sup> (see stacked build below). Your washer alone does not require a specific air opening.

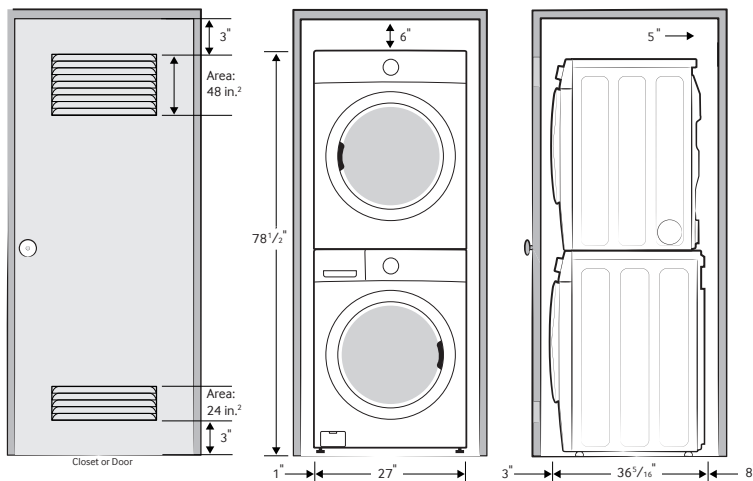
#### 1. Alcove or closet installation

MINIMUM CLEARANCES FOR CLOSET AND ALCOVE INSTALLATIONS:



If the exhaust duct is installed at the rear of the dryer, the rear must have at least 5 7/8 inch clearance.

#### 2. With stacked washer and dryer



### 7.5 cu. ft. Capacity DOE

#### 4-Way Venting

#### 14 Preset Dry Cycles:

Steam Refresh, Steam Wrinkle Away, Steam Sanitize, Eco Normal, Normal, Heavy Duty, Permanent Press, Active Wear, Bedding, Delicates, Wool, Time Dry, Air Fluff, Quick Dry

#### 12 Options:

Mixed Load Bell, Wrinkle Prevent, Anti-Static, My Cycle, Rack Dry, Adjust Time (Up), Adjust Time (Down), Eco Dry, Sound, Child Lock, Smart Care, Drum Light

#### 5 Temperature Settings:

High, Medium, Medium Low, Low, Extra Low

#### 5 Dry Levels:

Very Dry, More Dry, Normal Dry, Less Dry, Damp Dry

#### Warranty

One (1) Year Parts and Labor

One (1) Year Control Board

#### Product Dimensions & Weight (WxHxD)

Dimensions: 27" x 38 3/4" x 32 5/8"

Weight: 126 lbs

#### Shipping Dimensions & Weight (WxHxD)

Dimensions: 29 3/8" x 42 3/8" x 34 11/16"

Weight: 134 lbs

#### Electric

Black Stainless Steel	Model # DV50K7500EV	UPC Code 887276135946
White	Model # DV50K7500EW	UPC Code 887276135960

#### Gas

Black Stainless Steel	Model # DV50K7500GV	UPC Code 887276135977
White	Model # DV50K7500GW	UPC Code 887276135984

#### Matching Washer

Black Stainless Steel	Model # WF50K7500AV	UPC Code 887276135557
White	Model # WF50K7500AW	UPC Code 887276135564

#### Optional Stacking Kit

Sold separately	Model # SKK-7A	UPC Code 887276146423
-----------------	----------------	-----------------------

#### Optional Side Vent Kit

Sold separately	Model # DV-2A/XAA	UPC Code 887276146416
-----------------	-------------------	-----------------------



Actual color may vary. Design, specifications, and color availability are subject to change without notice. Non-metric weights and measurements are approximate.

The Emerging Technology award recognizes innovative products that have the potential to significantly reduce greenhouse gas emissions.

©2016 Samsung Electronics America, Inc. 85 Challenger Road, Ridgefield Park, NJ 07660. Tel: 800-SAMSUNG. samsung.com. Samsung is a registered trademark of Samsung Electronics Co. Ltd.