

# NV51CG600D

SAMSUNG

## 30" Double Wall Oven



### Available Colors

-  **Stainless Steel**  
NV51CG600DSR
-  **Matte Black**  
NV51CG600DMT

### Design

- Drop-Down Door Design
- Transitional Design

### Features

- Steam Cook
- Air Sous Vide
- Air Fry, Tray Included
- Convection Vegetable
- Wi-Fi Connectivity
- Dual Convection
- Digital Touch Controls
- 7-Inch LCD Display
- Steam Clean & Self-Clean
- Halogen Lights
- Heavy-Duty Racks
- Gliding Rack
- Broil Element
- 6 Rack Positions

### Convenience

- Sabbath Mode
- Delay Start
- Child Safety Lock
- Warming Mode
- Kitchen Timer

### Specifications

#### Total Capacity: 5.1. cu. ft.

- Hidden Bake Element
- Convection Bake: 175°F–550°F
- Convection Roast: 175°F–550°F
- Convection Vegetables: 350°F–450°F
- Bake: 175°F–550°F
- Broil: Low-High
- Air Sous Vide: 100°F–205°F
- Air Fry: 350°F–500°F
- Steam Proof
- Dehydrate

### Dimensions

#### Product Dimensions & Weight (WxHxD)

##### Outside (Max) Wall Oven Dimensions:

29<sup>3</sup>/<sub>4</sub>" x 51<sup>1</sup>/<sub>2</sub>" x 24<sup>3</sup>/<sub>8</sub>"

##### Wall Oven Cut-Out Dimensions:

28<sup>1</sup>/<sub>2</sub>" x 50<sup>1</sup>/<sub>4</sub>" x 23<sup>1</sup>/<sub>2</sub>"

Weight: 293.2 lbs

#### Shipping Dimensions & Weight (WxHxD)

Dimensions: 33<sup>11</sup>/<sub>16</sub>" x 56<sup>3</sup>/<sub>8</sub>" x 29<sup>13</sup>/<sub>16</sub>"

Weight: 321.8 lbs

### Warranty

One (1) Year All Parts and Labor

### UPC

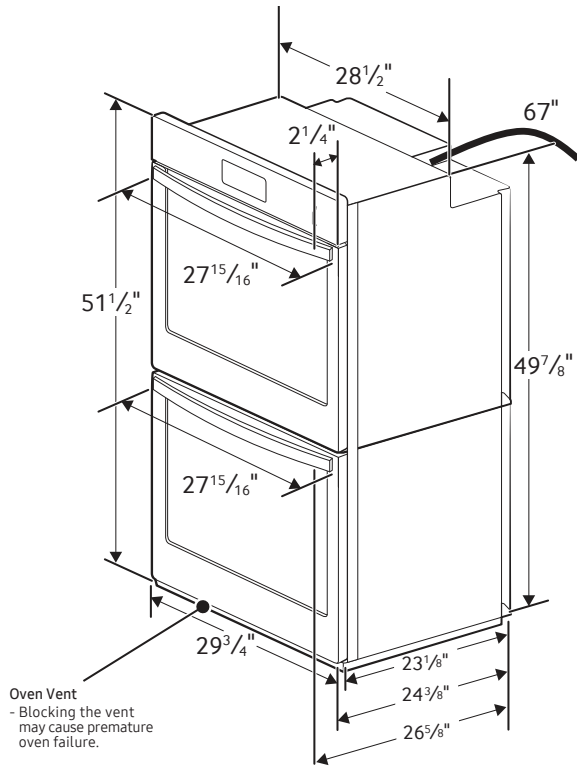
Double Wall Oven	Model #	UPC Code
Stainless Steel	NV51CG600DSR	887276757667
Matte Black	NV51CG600DMT	887276757650

# NV51CG600D

SAMSUNG

## 30" Double Wall Oven

### Product Dimensions



### Electrical Requirements

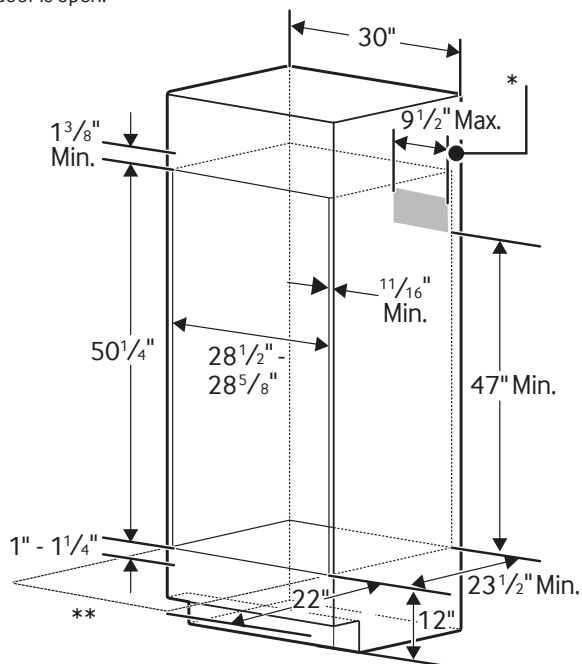
KW RATING	
240V	9.3 kW
208V	7.0 kW
BREAKER SIZE	
240V	40 Amps
208V	30 Amps

### Cabinet Dimensions

Double Oven Installed in Cabinet

\*Junction Box.

\*\*Allow a minimum of 22" for clearance to adjacent corners, drawers, walls, etc. when door is open.



Actual color may vary. Design, specifications, and color availability are subject to change without notice. Non-metric weights and measurements are approximate.

©2023 Samsung Electronics America, Inc. 85 Challenger Road, Ridgefield Park, NJ 07660. Tel: 800-SAMSUNG. samsung.com. Samsung is a registered trademark of Samsung Electronics Co. Ltd.