



NV51CG600S

SAMSUNG

30" Single Wall Oven



Available Colors

-  **Stainless Steel**
NV51CG600SSR
-  **Matte Black**
NV51CG600SMT

Design

- Drop-Down Door Design
- Transitional Design

Features

- Steam Cook
- Air Sous Vide
- Air Fry, Tray Included
- Convection Vegetable
- Wi-Fi Connectivity
- Dual Convection
- Digital Touch Controls
- 7-Inch LCD Display
- Steam Clean & Self-Clean
- Halogen Lights
- 2 Heavy-Duty Racks
- Gliding Rack
- Broil Element
- 6 Rack Positions

Convenience

- Sabbath Mode
- Delay Start
- Child Safety Lock
- Warming Mode
- Kitchen Timer

Specifications

Total Capacity: 5.1. cu. ft.

- Hidden Bake Element
- Convection Bake: 175°F–550°F
- Convection Roast: 175°F–550°F
- Convection Vegetables: 350°F–450°F
- Bake: 175°F–550°F
- Broil: Low-High
- Air Sous Vide: 100°F–205°F
- Air Fry: 350°F–500°F
- Steam Proof
- Dehydrate

Dimensions

Product Dimensions & Weight (WxHxD)

Outside (Max) Wall Oven Dimensions:

29³/₄" x 28¹³/₁₆" x 24³/₈"

Wall Oven Cut-Out Dimensions:

28¹/₂" x 27¹/₄" x 23¹/₂"

Weight: 167.6 lbs

Shipping Dimensions & Weight (WxHxD)

Dimensions: 33¹¹/₁₆" x 33¹¹/₁₆" x 29¹³/₁₆"

Weight: 189.6 lbs

Warranty

One (1) Year All Parts and Labor

UPC

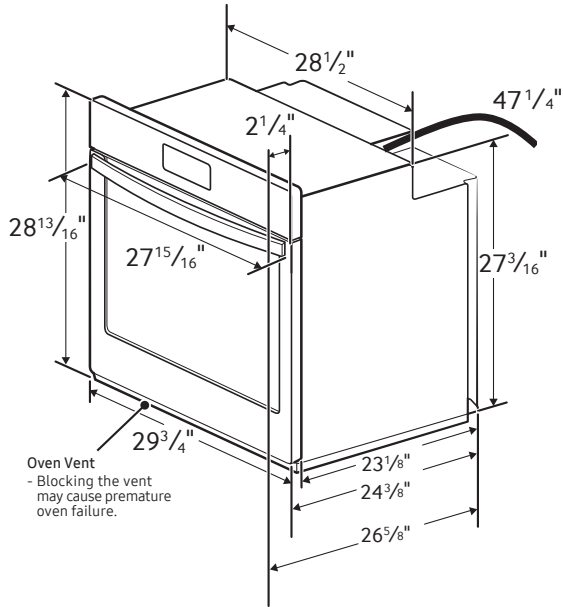
Single Wall Oven	Model #	UPC Code
Stainless Steel	NV51CG600SSR	887276757681
Matte Black	NV51CG600SMT	887276757674

NV51CG600S

SAMSUNG

30" Single Wall Oven

Product Dimensions



Electrical Requirements

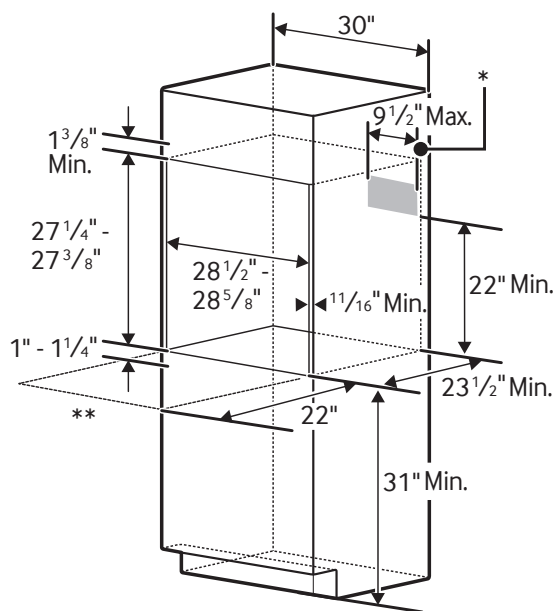
KW RATING	
240V	4.9 kW
208V	3.7 kW
BREAKER SIZE	
240V	30 Amps
208V	20 Amps

Cabinet Dimensions

Single Oven Installed in Cabinet

* Junction Box.

** Allow a minimum of 22" for clearance to adjacent corners, drawers, walls, etc. when door is open.



Actual color may vary. Design, specifications, and color availability are subject to change without notice. Non-metric weights and measurements are approximate.

©2023 Samsung Electronics America, Inc. 85 Challenger Road, Ridgefield Park, NJ 07660. Tel: 800-SAMSUNG. samsung.com. Samsung is a registered trademark of Samsung Electronics Co. Ltd.