

# NV51C\*700S

SAMSUNG

## Bespoke 30" Single Wall Oven



### Available Colors

-  **Stainless Steel**  
NV51CG700SSR
-  **Matte Black**  
NV51CG700SMT
-  **White Glass**  
NV51CB700S12

### Design

- Push to Open
- Full Glass Door
- Drop-Down Door Design
- Modern Design

### Features

- AI Pro Cooking™ Camera:
  - Monitor food
  - Recognize ingredients
  - Record time lapse videos
- Flex Duo™
- Air Sous Vide
- Air Fry, Tray Included
- Steam Cook Plus
- Convection Vegetable
- Steam Cook
- 7-Inch LCD Display
- Digital Touch Controls
- Wi-Fi Connectivity
- Dual Convection
- Guided Cook
- Steam Clean & Self-Clean
- LED Lights
- 2 Heavy-Duty Racks
- Gliding Rack
- Broil Element
- 6 Rack Positions

### Convenience

- Sabbath Mode
- Delay Start
- Child Safety Lock
- Warming Mode
- Kitchen Timer

### Specifications

#### Total Capacity: 5.1 cu. ft.

- Hidden Bake Element
- Convection Bake: 175°F–550°F
- Convection Roast: 175°F–550°F
- Convection Vegetables: 350°F–450°F
- Steam Cook Plus: 230°F–550°F
- Steam Roast: 230°F–550°F
- Steam Cook: 230°F–550°F
- Bake: 175°F–550°F
- Broil: Low-High
- Air Sous Vide: 100°F–205°F
- Air Fry: 350°F–500°F
- Steam Proof
- Dehydrate

### Dimensions

#### Product Dimensions & Weight (WxHxD)

Outside (Max) Wall Oven Dimensions:

29<sup>3</sup>/<sub>4</sub>" x 28<sup>13</sup>/<sub>16</sub>" x 24<sup>3</sup>/<sub>8</sub>"

Wall Oven Cut-Out Dimensions:

28<sup>1</sup>/<sub>2</sub>" x 27<sup>1</sup>/<sub>4</sub>" x 23<sup>1</sup>/<sub>2</sub>"

Weight: 176.4 lbs

#### Shipping Dimensions & Weight (WxHxD)

Dimensions: 33<sup>11</sup>/<sub>16</sub>" x 33<sup>11</sup>/<sub>16</sub>" x 29<sup>13</sup>/<sub>16</sub>"

Weight: 198.4 lbs

### Warranty

One (1) Year All Parts and Labor

### UPC

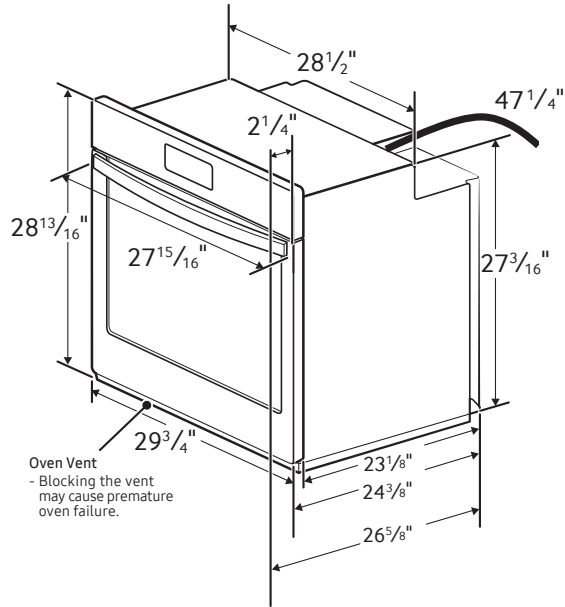
Single Wall Oven	Model #	UPC Code
Stainless Steel	NV51CG700SSR	887276757728
Matte Black	NV51CG700SMT	887276757711
White Glass	NV51CB700S12	887276757643

# NV51C\*700S

SAMSUNG

## Bespoke 30" Single Wall Oven

### Product Dimensions



### Electrical Requirements

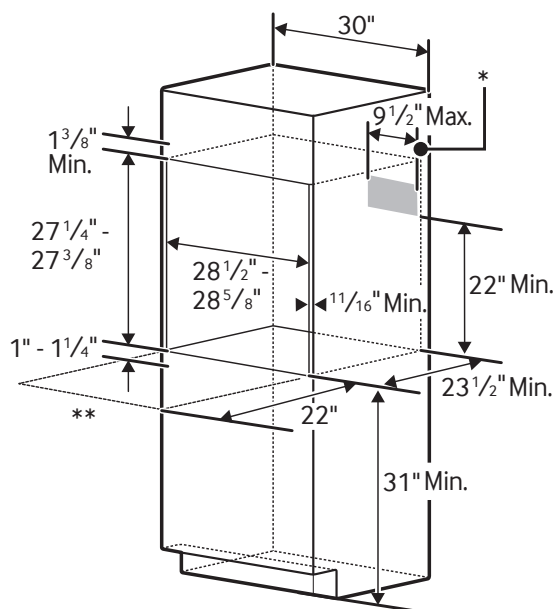
KW RATING	
240V	6.2 kW
208V	4.7 kW
BREAKER SIZE	
240V	30 Amps
208V	30 Amps

### Cabinet Dimensions

Single Oven Installed in Cabinet

\* Junction Box.

\*\* Allow a minimum of 22" for clearance to adjacent corners, drawers, walls, etc. when door is open.



Actual color may vary. Design, specifications, and color availability are subject to change without notice. Non-metric weights and measurements are approximate.

©2023 Samsung Electronics America, Inc. 85 Challenger Road, Ridgefield Park, NJ 07660. Tel: 800-SAMSUNG. samsung.com. Samsung is a registered trademark of Samsung Electronics Co. Ltd.