

NA36N6555TS

SAMSUNG

36" Gas Cooktop



Signature Features

19K Power Burner

- Powerful burner boils water faster.

Griddle

- Cook breakfast foods, grill sandwiches, or sauté vegetables on the griddle.

LED Illuminated Backlit Knobs

- Visually lets you know your cooktop is on, even at a distance.

Available Colors



Stainless Steel (shown)



Fingerprint Resistant
Black Stainless Steel



19K Power Burner



LED Illuminated Backlit Knobs

Features

- Wi-Fi Connectivity
- Powerful Cooktop
 - Right Front: 13K BTU
 - Left Front: 9.5K BTU
 - Right Rear: 5K BTU
 - Left Rear: 9.5K BTU
 - Center: Dual, 19K BTU
- Cast Iron 3-Piece Grates
- Sealed Burners
- Burner On/Off Monitoring
- ADA Compliant

Convenience

- LP Conversion Kit



ADA Compliant

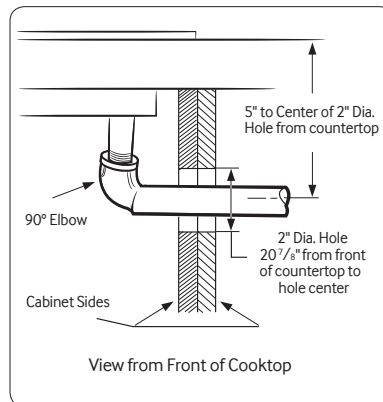
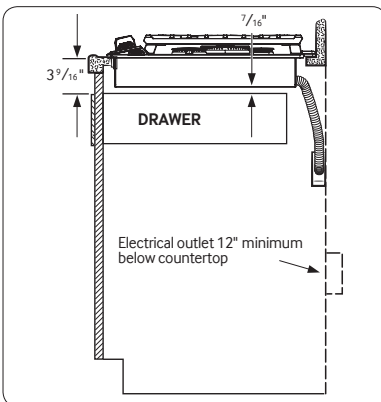
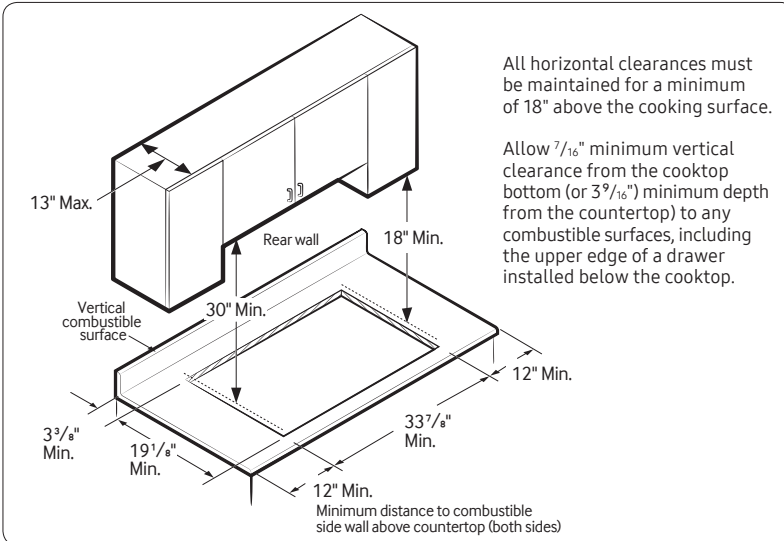
NA36N6555TS

SAMSUNG

36" Gas Cooktop

Installation Requirements

Countertop cut-out and minimum clearance dimensions:



Total Power (BTU)

56K

Power Source

120V / 60 Hz / 1A

Gas Cooktop (BTU)

- Right Front: 13K
- Left Front: 9.5K
- Right Rear: 5K Simmer
- Left Rear: 9.5K
- Center: 19K (Dual)

Warranty

One (1) Year All Parts and Labor

Product Dimensions & Weight (WxHxD)

Outside (Max) Cooktop Dimensions:

36" x 5 $\frac{41}{72}$ " x 22 $\frac{1}{3}$ "

Cooktop Cut-Out Dimensions:

33 $\frac{7}{8}$ " x 3 $\frac{1}{8}$ " x 19 $\frac{1}{8}$ "

Weight: 69.4 lbs.

Shipping Dimensions & Weight (WxHxD)

Dimensions: 40 $\frac{9}{16}$ " x 10 $\frac{5}{8}$ " x 25 $\frac{5}{8}$ "

Weight: 84.7 lbs.

Color

Stainless Steel

Model

NA36N6555TS

UPC Code

887276281742

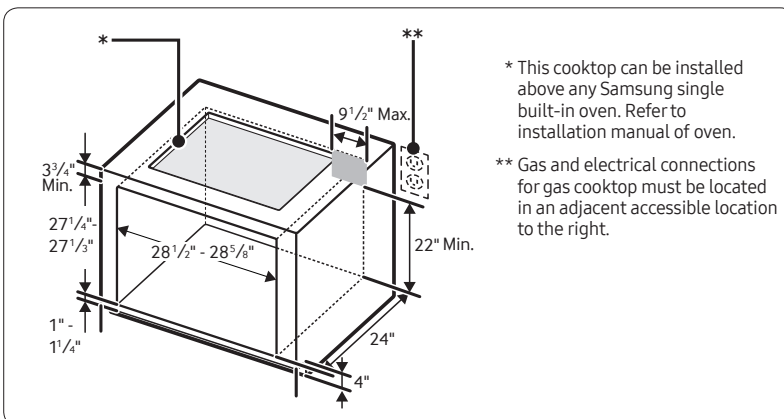
Fingerprint Resistant

Black Stainless Steel

NA36N6555TG

887276281735

Installing Over a Single Oven



Cooktop Dimensions

