

NZ36K6430RS

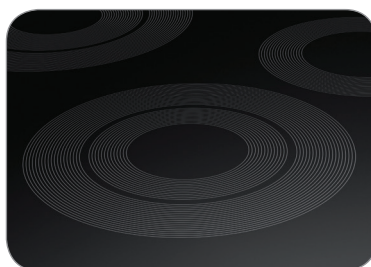
36" Electric Cooktop

Features

- Wi-Fi Connectivity
- Flexible Cooktop:
 - Triple Element (12"/9"/6")
 - Dual Element (9"/6" Rapid Boil™)
 - Two Single Elements (7")
 - Single Melt Element (6")
- 10 kW Total Power

Convenience

- Hot Surface Indicator Light
- Easy-To-Clean Glass, Ceramic Cooktop
- Dishwasher-Safe Knobs



Rapid Boil™



LED Illuminated Backlit Knobs

Available Colors



Stainless Steel (shown)



Black Stainless Steel

Signature Features

RAPID BOIL™

- Up to 3.3 kW power element offers intense heat and precise control to quickly boil water or maintain a low even simmer.

FLEXIBLE COOKTOP

- Whether you're boiling water, melting chocolate or simmering sauce, there's an element for your needs.

LED ILLUMINATED BACKLIT KNOBS

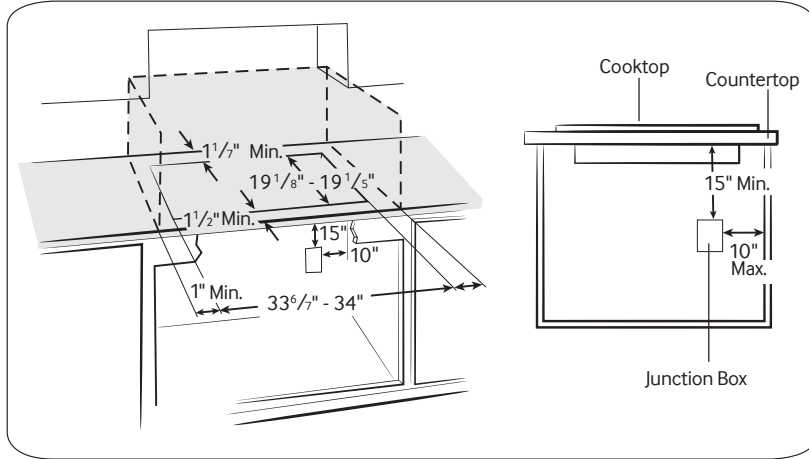
- Visually lets you know your cooktop is on, even at a distance.

NZ36K6430RS

36" Electric Cooktop

Installing Your Cooktop

Can be installed over a single oven.



Total Power

10.5 kW

Power Source

240V / 60 Hz / 40A

Electric Cooktop

- Left Front: 7", 1.5 kW
- Left Rear: 7", 1.5 kW
- Right Front: 9"/6", 3.3 kW (Rapid Boil™)
- Right Rear: 6", 1.2 kW (Melt)
- Center: 12"/9"/6", 3 kW

Warranty

One (1) Year All Parts and Labor

Product Dimensions & Weight (WxHxD)

Outside (Max) Cooktop Dimensions:

36" x 5 1/10" x 21 1/4"

Cooktop Cut-Out Dimensions:

33 6/7" x 5 1/10" x 19 1/8"

Weight: 41.2 lbs.

Shipping Dimensions & Weight (WxHxD)

Dimensions:

40 3/16" x 9 1/16" x 25 1/16"

Weight: 50.7 lbs.

Color

Stainless Steel

Model

NZ36K6430RS

UPC Code

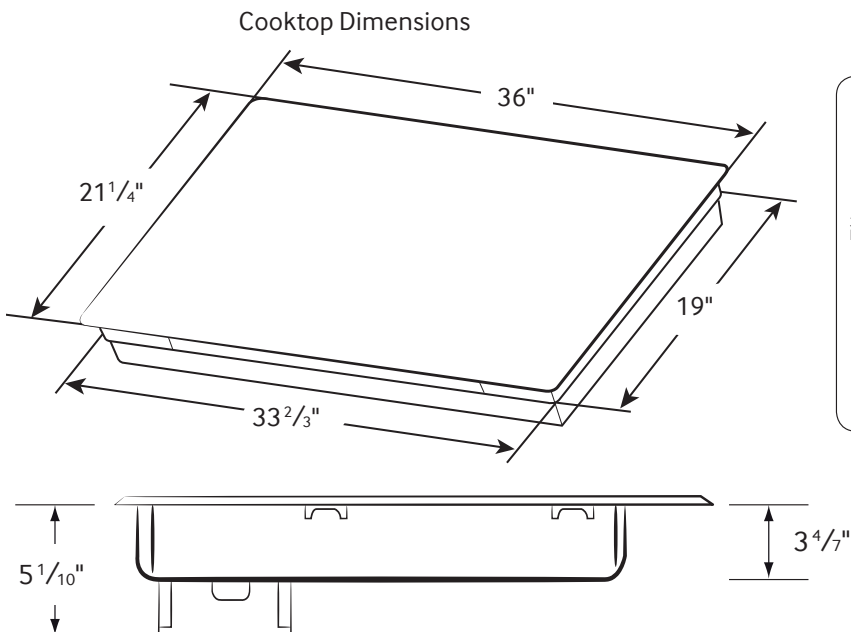
887276183213

Black Stainless Steel

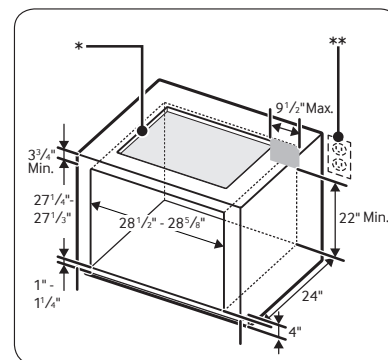
NZ36K6430RG

887276183527

Dimensions



Cut-Out Dimensions of Countertop



- * See built-in oven installation for complete installation instructions. See label on top of approved built-in oven models.
- ** Refer to installation manual of oven.

SAMSUNG

Actual color may vary. Design, specifications, and color availability are subject to change without notice. Non-metric weights and measurements are approximate.

©2017 Samsung Electronics America, Inc. 85 Challenger Road, Ridgefield Park, NJ 07660. Tel: 800-SAMSUNG. samsung.com. Samsung is a registered trademark of Samsung Electronics Co., Ltd.