

DVE50R5200V

SAMSUNG

Samsung 7.4 cu. ft. Capacity Electric Dryer with Sensor Dry



Features

- Sensor Dry
- 10 Preset Drying Cycles
- Smart Care*
- Interior Drum Light
- Large 7.4 cu. ft. Capacity
- Reversible Dryer Door
- Lint Filter Indicator
- 9 Additional Drying Options
- 5 Temperature Levels
- 4-Way Venting (Back, Bottom, Left, Right)
- Powder Coat Interior
- LED Display: Ice Blue

Convenience

- Child Lock
- Filter Check Indicator

Electrical Requirements

120 V / 240 V / 60 Hz
30 Amps

*Requires Samsung Smart Washer/Dryer App. The Samsung Smart Washer/Dryer App supports Android OS 2.3.6 or later and iOS 3 or later for iPhone models. Samsung Smart Washer/Dryer App available in App Store and Play Store.

Available Colors



Brushed Black (shown)



White

10 Preset Drying Cycles:

Normal, Heavy Duty, Permanent Press, Bedding, Delicates, Sanitize, Time Dry, Air Fluff, Quick Dry, Wrinkle Release

9 Additional Drying Options:

Mixed Load Bell, Wrinkle Prevent, Adjust Time (Up), Adjust Time (Down), Child Lock, Sound On/Off, Eco Dry, Smart Care, Drum Light

5 Temperature Levels:

High, Medium, Medium Low, Low, Extra Low

5 Dry Levels:

Very Dry, More Dry, Normal Dry, Less Dry, Damp Dry

Warranty

One (1) Year Parts and Labor

Product Dimensions & Weight (WxHxD)

Dimensions: 27" x 44⁹/₁₆" x 30¹/₄"

Weight: 119.0 lbs

Shipping Dimensions & Weight (WxHxD)

Dimensions: 29⁹/₁₆" x 46¹⁵/₁₆" x 31³/₁₆"

Weight: 125.7 lbs

Electric Dryer

	Model #	UPC Code
Brushed Black	DVE50R5200V	887276510316
White	DVE50R5200W	887276300733

Gas Dryer

Brushed Black	DVG50R5200V	887276510323
White	DVG50R5200W	887276300764

Matching Washer

Brushed Black	WA50R5200AV	887276510354
White	WA50R5200AW	887276300528

Optional Accessories

Vent Kit	DV-2A	887276146416
----------	-------	--------------

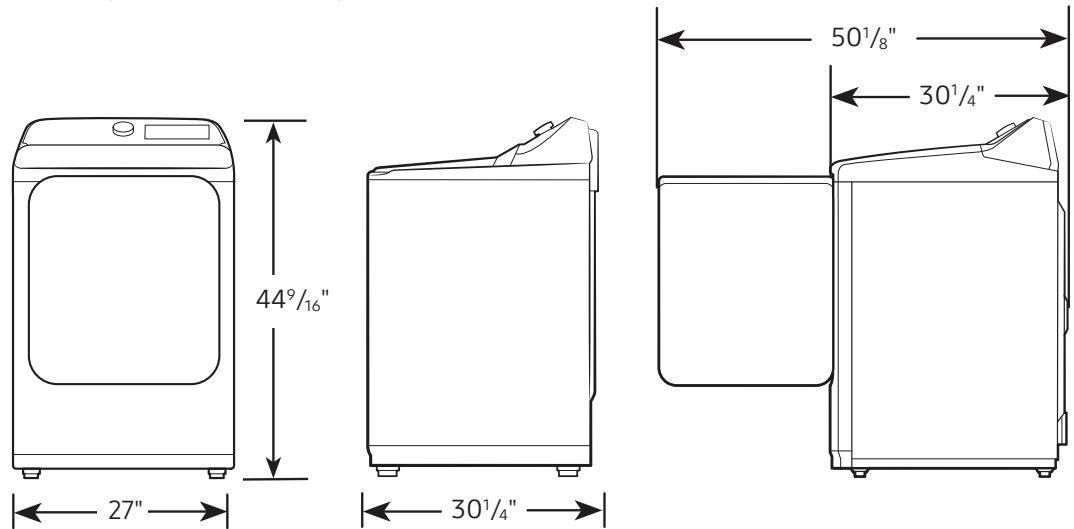
DVE50R5200V

SAMSUNG

Samsung 7.4 cu. ft. Capacity Electric Dryer with Sensor Dry

Dimensions

Required dimensions for installation:

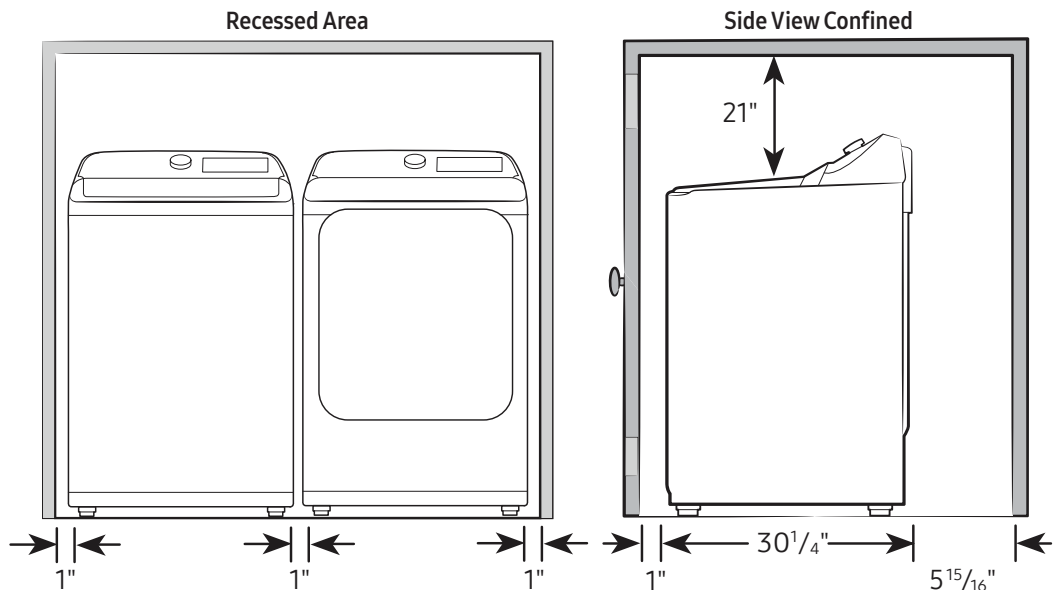


Installation Specifications – Side-by-Side or Stand-alone

If the washer and dryer are installed together or the dryer alone, the closet front must have two unobstructed air openings for a combined minimum total area of 72-inch². Your washer alone does not require a specific air opening.

Alcove or closet installation

Minimum clearance for closet and alcove installations:

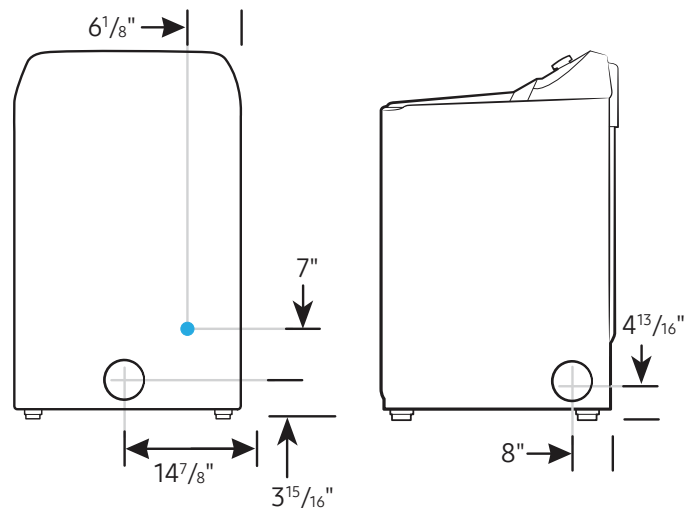


Connection Dimensions

Back and Side View of Electric Dryer

LEGEND:

● Cold Water Connection



Actual color may vary. Design, specifications, and color availability are subject to change without notice. Non-metric weights and measurements are approximate.

©2023 Samsung Electronics America, Inc., 85 Challenger Road, Ridgefield Park, NJ 07660. Tel: 800-SAMSUNG.samsung.com. Samsung is a registered trademark of Samsung Electronics Co., Ltd.