

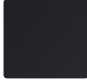

# WA46CG3505

# SAMSUNG

## 4.6 cu. ft. Large Capacity Smart Top Load Washer with ActiveWave™ Agitator and Active WaterJet



### Available Colors

-  **Brushed Black**  
WA46CG3505AV
-  **White**  
WA46CG3505AW

### Features

- Large 4.6 cu. ft. Capacity
- ActiveWave™ Agitator
- Wi-Fi Connectivity with SmartThings\*
- Active WaterJet
- 10 Preset Washing Cycles
- Vibration Reduction Technology+
- Soft-Close Lid
- Extra-High Water Level
- Self Clean
- Smart Care\*\*
- Diamond Drum Interior
- 700 RPM Maximum Spin Speed
- AC Motor
- 7 Washing Options
- 5 Temperature Settings

### Convenience

- Child Lock
- Dispenser Trays:  
Main Wash, Softener, Bleach

### Ratings

IMEF = 1.57  
IWF = 6.5  
240 kWh/yr

### Electrical Requirements

120 V / 60 Hz  
15 Amps

### Specifications

#### 10 Preset Washing Cycles:

Normal, Bedding/Waterproof, Heavy Duty, Downloaded, Delicates, Quick Wash, Self Clean, Rinse + Spin, Spin Only, Deep Wash

#### 5 Downloadable Washing Cycles:

Permanent Press, Wool, Eco Cold, Denim, Power Rinse

#### 7 Additional Washing Options:

Delay End, Presoak, Extra Rinse, Sound On/Off, Child Lock, Smart Care, Smart Control

#### 5 Temperature Settings:

Hot, Warm, Eco Warm, Cool, Cold

#### 3 Soil Settings:

Heavy, Normal, Light

Washer	Model #	UPC Code
Brushed Black	WA46CG3505AV	887276756882
White	WA46CG3505AW	887276756899

#### Matching Electric Dryer

Brushed Black	DVE47CG3500V	887276750170
White	DVE47CG3500W	887276750187

#### Matching Gas Dryer

Brushed Black	DVG47CG3500V	887276750200
White	DVG47CG3500W	887276750217

### Warranty

One (1) Year Parts and Labor  
Three (3) Years Stainless Steel Tub (Part Only)  
Twenty (20) Years; Washing DIT (Digital Inverter Motor) Motor Part (Part Only)  
Five (5) Years Washing Motor Part (Part Only)

### Product Dimensions & Weight (WxHxD)

Dimensions: 27" x 45<sup>1</sup>/<sub>16</sub>" x 29<sup>5</sup>/<sub>16</sub>"  
Weight: 129 lbs

### Shipping Dimensions & Weight (WxHxD)

Dimensions: 29<sup>9</sup>/<sub>16</sub>" x 47<sup>3</sup>/<sub>4</sub>" x 31"  
Weight: 135.6 lbs

\*Requires wireless network, Samsung account and Samsung SmartThings App. The Samsung SmartThings App supports Android OS 4.0 (ICS) or later which is optimized for Samsung smartphones (Galaxy S and Galaxy Note series). This app also supports iOS 7 or later for iPhone models. Samsung SmartThings App available in App Store and Play Store. Only monitoring enabled on Gas Dryers for safety reasons.

\*\*Requires Samsung Smart Washer/Dryer App. The Samsung Smart Washer/Dryer App supports Android OS 2.3.6 or later and iOS 3 or later for iPhone models. Samsung Smart Washer/Dryer App available in App Store and Play Store.

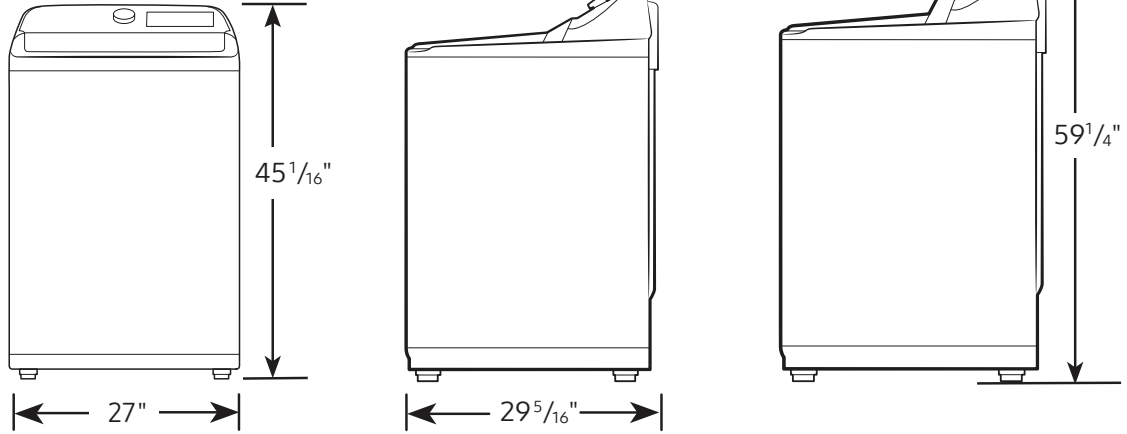
# WA46CG3505

# SAMSUNG

## 4.6 cu. ft. Large Capacity Smart Top Load Washer with ActiveWave™ Agitator and Active WaterJet

### Dimensions

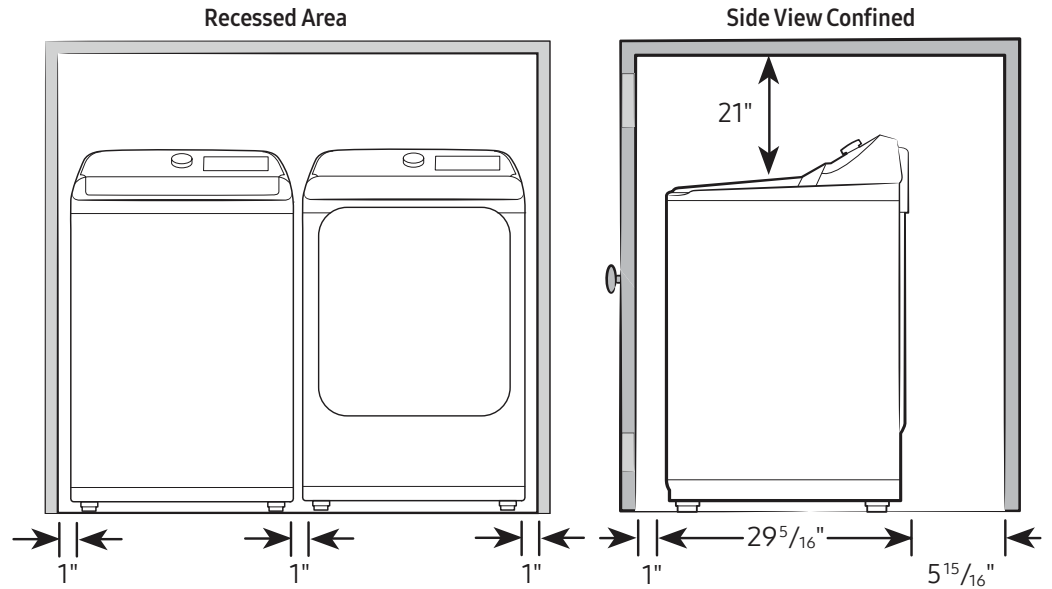
Required dimensions for installation:



### Installation Specifications – Side-by-Side

If the washer and dryer are installed together or the dryer alone, the closet front must have two unobstructed air openings for a combined minimum total area of 72-inch<sup>2</sup>. Your washer alone does not require a specific air opening.

Alcove or closet installation  
Minimum clearance for  
closet and alcove installations:

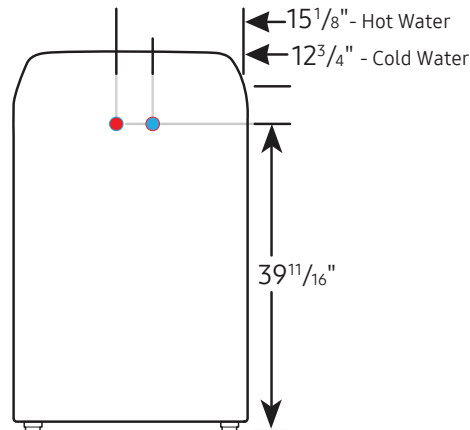


### Connection Dimensions

Back view of washer

#### LEGEND:

- Hot Water Connection
- Cold Water Connection



Actual color may vary. Design, specifications, and color availability are subject to change without notice. Non-metric weights and measurements are approximate.

©2023 Samsung Electronics America, Inc., 85 Challenger Road, Ridgefield Park, NJ 07660. Tel: 800-SAMSUNG.samsung.com. Samsung is a registered trademark of Samsung Electronics Co., Ltd.