

Built-In Electric Combination Oven

Installation manual

NQ70M6650D*/NQ70M7770D*



SAMSUNG

Contents

Safety informations	2
Related equipment safety	2
Transport	2
Preparation	4
Checklist	4
Prepare to install the oven	4
Location requirements	5
Product dimensions - Combi. ovens	5
Cabinet dimensions - Combi. ovens	6
Installation instructions	8
Prepare built-in oven	8
Remove and replace oven door	8
Electrical connection	10
Install oven	12
Self-diagnosis	14
Temp sensor & Heater check	14
Troubleshooting	15
Information codes	15

Safety informations

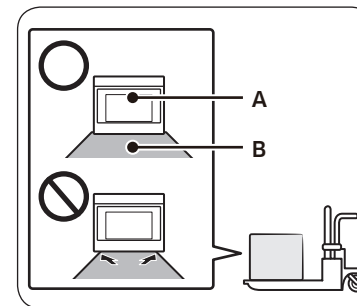
Related equipment safety

Remove all tape and packaging before using the appliance. Dispose of the packaging after unpacking the appliance. Never allow children to play with packaging material.

Never modify or alter the construction of the appliance. For example, do not remove panels, wire covers or screws.

Transport

To avoid damage to the oven vent, use the transport method shown in the picture below.



- A. Front
- B. Pallet

Support the bottom of the oven from either side when moving it into the installation location. Leave the unit attached to the shipping pallet until it is in front of the cabinet opening and is ready to be lifted into place.

⚠ DANGER

ELECTRICAL SHOCK HAZARD

To avoid risk of electrical shock, personal injury or death; verify your appliance has been properly grounded in accordance with local codes or in absence of codes, with the National Electrical Code (NEC). ANSI/NFPA 70-latest edition.

⚠ WARNING

MOVING HAZARD

To avoid risk of severe personal injury; this appliance requires two or more people while handling and moving. Use of appliance moving devices is recommended.

⚠ WARNING

- The information in this manual should be followed exactly.
 - A fire or electrical shock may result causing property damage, personal injury or death.
- Important - Save this installation manual for local electrical inspector's use.
- Proper Installation - Be sure your appliance is properly installed and grounded by a qualified technician.
- New branch-circuit installations (1996 NEC), mobile homes, recreational vehicles, or installations where local codes prohibit grounding through the neutral conductor require 4-wire branch-circuit connection.
- Improper connection of aluminum house wiring to copper leads can result in an electrical hazard or fire. Use only connectors designed for joining copper to aluminum and follow the manufacturer's recommended procedure closely.
- Mounting screws must be used.
 - Failure to do so can result in the oven falling out of the cabinet causing serious injury.

⚠ CAUTION

- Make sure the cabinets and wall coverings around the oven can withstand the temperature (up to 194 °F [90 °C]) generated by the oven.
 - Discoloration, delamination or melting may occur.
- DO NOT remove spacers on the side walls of the built-in oven.
 - These spacers center the oven in the space provided. The oven must be centered to prevent excess heat buildup that may result in heat damage or fire.

⚠ WARNING

- The information in this manual should be followed exactly.
 - A fire or electrical shock may result causing property damage, personal injury or death.

IMPORTANT NOTE

Proper installation is the responsibility of the installer and product failure due to improper installation is NOT covered under warranty.

⚠ WARNING

- DO NOT put any weight on the oven door. Never allow anyone to climb, sit, stand or hang on the oven door.
 - The oven could tip and injury might result from food or the oven itself.

⚠ WARNING

- The electrical power must be shut off while the electrical connections are being made.
 - Failure to do so can result in severe personal injury, death or electrical shock.

IMPORTANT NOTE

- Observe all governing codes and ordinances. This appliance must be properly grounded.
- Keep oven vent ducts unobstructed. The oven vent is located bottom of the oven. This area could become hot during oven use. Never block this vent or place plastic or heat-sensitive items in front of it.

Preparation

Checklist

Use this checklist to verify that you have completed each step of the installation process. This can help you avoid mistakes.

1. Before installing the oven, be sure to verify the cabinet dimensions are correct for your unit and the required electrical connections are present.
2. Refer to the installation manual for content regarding Safety, Cabinet Dimensions, Removing Packaging, Electrical Installation, Testing the Installation and Customer Service.
3. To lift up the oven, hang the install handle onto the side hook of the unit.
4. Move the oven unit into place in front of the cabinet opening, leaving the bottom packaging on the unit to avoid damaging flooring.
5. Team lift the unit directly into the cabinet cutout taking care not to pinch fingers or scratch hands or arms. Make sure the electrical conduit reaches to the connection point properly.
6. Slide the unit all the way into place, making sure to route the electrical conduit correctly.
7. Fasten the oven unit to the cabinetry opening with screws supplied (using Phillips screwdriver).
8. Consult the complete installation instructions and follow the remainder of the procedures listed, including performing an operation test.
9. All product literature and accessories are supplied (may be wrapped or boxed) with the oven.
10. **INSTALLER** - Leave the literature pack and the accessories with the customer.

Prepare to install the oven

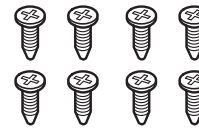


Phillips Screwdriver



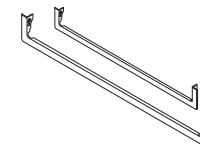
Drill

Prepare to install the oven



8 screws (M4 L16)

8 Wood Screws For Mounting (6 screws needed for installation and 2 extra's)



30" (76.2 cm)
Metal Bottom Trim

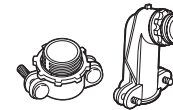
Materials needed



Junction Box



Wire Nuts



$\frac{3}{4}$ " Conduit Connector

Location requirements

IMPORTANT: Observe all governing codes and ordinances.

- Cabinet opening dimensions that are shown must be used. Given dimensions provide minimum clearance with oven.
- Recessed installation area must provide complete enclosure around the recessed portion of the oven.
- Grounded electrical supply is required. See “Electrical connection” section.
- Electrical supply junction box should be located 3” (7.6 cm) maximum below the support surface when the oven is installed in a wall cabinet. A 1” (2.5 cm) minimum diameter hole should have been drilled in the right rear or left rear corner of the support surface to pass the appliance cable through to the junction box.

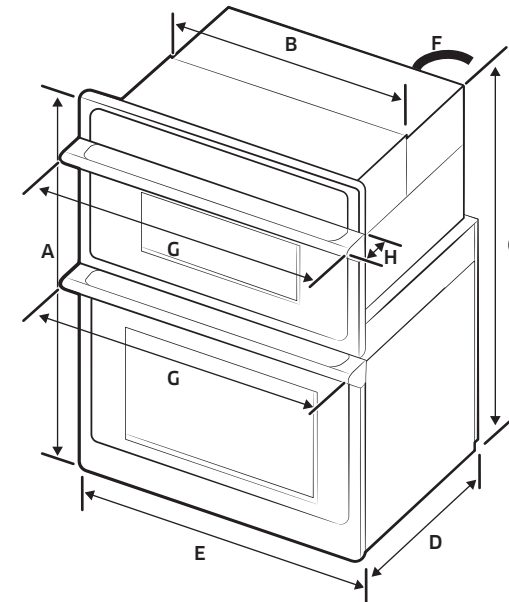
NOTE

For under counter installation, it is recommended that the junction box be located in the adjacent right or left cabinet. If you are installing the junction box on rear wall behind oven, it is recommended that the junction box be recessed and located in the upper Right of the cabinet.

- Oven support surface must be solid, level and flush with bottom of cabinet cutout.
- Floor must be able to support a Combi. oven weight of 287 lb (130 kg).

IMPORTANT: To avoid damage to your cabinets, check with your builder or cabinet supplier to make sure that the materials used will not discolor, delaminate or sustain other damage. This oven has been designed in accordance with the requirements of UL and CSA International and complies with the maximum allowable wood cabinet temperatures of 194 °F (90 °C).

Product dimensions - Combi. ovens



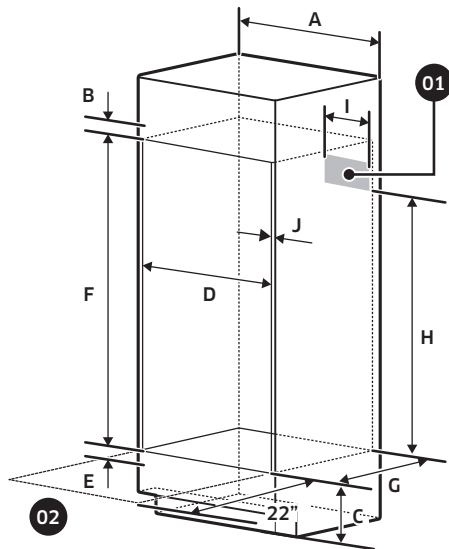
DIMENSION		
A	43 ¹ / ₄ " (109.9 cm)	Overall height
B	28 ¹ / ₂ " (72.4 cm)	Recessed width
C	42" (106.5 cm)	Recessed height
D	23 ¹ / ₈ " (58.7 cm)	Recessed depth
E	29 ³ / ₄ " (75.6 cm)	Door Width
F	67" (170 cm)	Conduit length
G	29 ⁷ / ₈ " (75.9 cm)	Overall width (Handle width)
H	2 ⁹ / ₁₆ " (6.5 cm)	Handle Depth

Preparation

Cabinet dimensions - Combi. ovens

Combi Ovens Installed in Cabinet

- 01 Junction Box
- 02 Allow a minimum of 22" for clearance to adjacent corners, drawers, walls, etc. when door is open



Cabinet	DIMENSION
A	30" (76.2 cm)
B	Min. 1 ³ / ₁₆ " (3.0 cm)
C	12" (30.5 cm)
D	Min. 28 ¹ / ₂ " / Max. 28 ⁵ / ₈ " (Min. 72.4 cm / Max. 72.7 cm)
E	Min. 1" / Max. 1 ¹ / ₄ " (Min. 2.5 cm / Max. 3.2 cm)
F	42 ¹ / ₄ " (107.2 cm)

Cabinet	DIMENSION
G	Min. 23 ¹ / ₂ " (Min. 59.7 cm)
H	Min 30 ¹ / ₂ " (Min 755 mm)
I	Max. 9 ¹ / ₂ " (Max. 24.1 cm) - Junction Box
J	Min. 1 ¹ / ₁₆ " (1.75 cm) - Wooden cabinet thickness

If codes permit and a separate ground wire is used, it is recommended that a qualified electrical installer determine that the ground path and the wire gauge are in accordance with local codes.

Check with a qualified electrical installer if you are not sure the oven is properly grounded.

This oven must be connected to a grounded-metal permanent wiring system.

Be sure that the electrical connection and wire size are adequate and in conformance with the National Electrical Code, ANSI/NFPA 70-latest edition or CSA Standards C22.

1-94, Canadian Electrical Code, Part 1 and C22.2 No. 0-M91-latest edition, and all local codes and ordinances.

A copy of the above code standards can be obtained from:

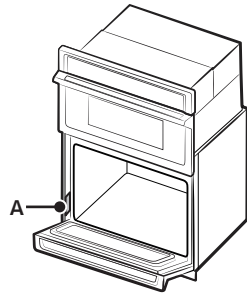
National Fire Protection Association
1 Batterymarch Park
Quincy, MA 02169-7471

CSA International
8501 East Pleasant Valley Road
Cleveland, OH 44131-5575

Electrical Connection

To properly install your oven, you must determine the type of electrical connection you will be using and follow the instructions provided in this manual.

- Oven must be connected to the proper electrical voltage and frequency as specified on the model/serial/rating plate. The model/serial/rating plate is located below the control panel on combi ovens. See the following illustrations.



Combi. oven
A. Model/serial/rating plate

- A circuit breaker is recommended.
- Use the chart below to determine the minimum recommended dedicated circuit protection.

KW Rating (240 V)	KW Rating (208 V)	Recommended Circuit Size (Dedicated)
≤4.8 KW	≤4.1 KW	20 Amp
4.9 KW - 7.5 KW	4.3 KW - 6.2 KW	30 Amp
7.3 KW - 9.6 KW	6.3 KW - 8.3 KW	40 Amp
9.7 KW - 12.0 KW	8.4 KW - 10.4 KW	50 Amp

- Connect directly to the circuit breaker box (or fused disconnect) through flexible, armored or nonmetallic sheathed, copper cable (with grounding wire). See “Electrical Connection” section.

- Flexible conduit from the oven should be connected directly to the junction box.
- Fuse both sides of the line.
- Do not cut the conduit. The length of conduit provided is for serviceability of the oven.
- A UL listed or CSA approved conduit connector must be provided.
- If the house has aluminum wiring, follow the procedure below:
 1. Connect a section of solid copper wire to the ends of the flexible conduit leads.
 2. Connect the aluminum wiring to the added section of copper wire using special connectors and/or tools designed and UL listed for joining copper to aluminum.

Follow the electrical connector manufacturer’s recommended procedure. Aluminum/copper connection must conform with local codes and industry accepted wiring practices.

For power requirements for models NQ70M6650D, and NQ70M7770D refer to the following table.

Model	240 VAC	208 VAC
	kW	kW
NQ70M6650D	8.2	6.2
NQ70M7770D	9.5	7.2

Installation instructions

Prepare built-in oven

⚠ WARNING

Excessive Weight Hazard

Use two or more people to move and install an oven.
Failure to do so can result in back or other injury.

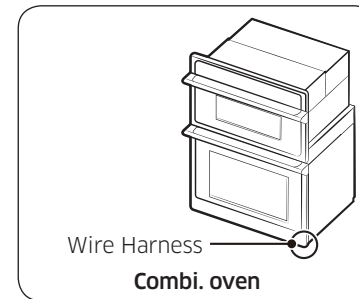
1. Decide on the final location for the oven. Avoid drilling or cutting into house wiring during installation.
2. To avoid floor damage, set the oven on a cardboard prior to installation. Do not use handle or any portion of the front frame for lifting.
3. Remove the shipping materials and tape from the oven. Remember to keep the packing materials that may be needed for installation.
4. Remove the hardware package from inside of the bag containing literature.
5. Remove racks and other parts from inside the oven.
6. Move oven and cardboard close to the oven's final location.

Remove and replace oven door

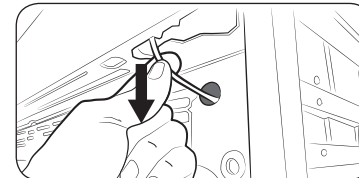
IMPORTANT: Use two hands to remove lower oven door. Upper oven door can't be removed.

Prior to removing the oven door, prepare a surface where you will place it. This surface should be flat and covered with a soft blanket, or use the corner posts from your packaging material.

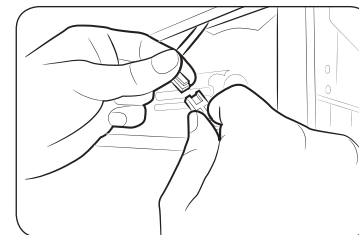
Disconnect LED light wire harness



Locate the LED light wire harness and disconnect it before removing the door.

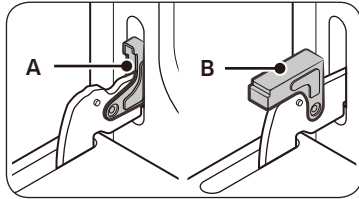


1. Carefully pull the wire to reveal the connector.



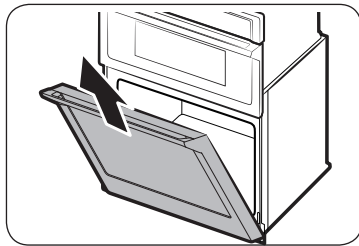
2. Disconnect the connector.

Remove lower oven door

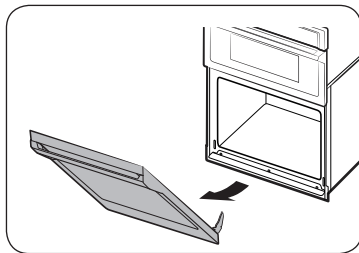


- A. Oven door hinge lock in locked position
- B. Oven door hinge lock in unlocked position

1. Open the oven door.
2. Locate the oven door hinge locks in both corners of the oven door, and then rotate the hinge locks toward the oven door to the unlocked position (see illustration B). If the door hinge lock is not rotated fully, the door will not remove properly.



3. Partially close the door to engage the door latch locks. The door will stop at this point.



4. Using two hands, grasp the edges of the oven door. Lift and pull the oven door toward you and remove. You may need to gently shift door from side to side as you pull.
5. Set the oven door aside on the prepared covered work surface with the oven door resting on its handle.
6. To continue with the oven installation, go to the "Positioning Oven Feet for Multiple Cabinet Cutout Heights" section.

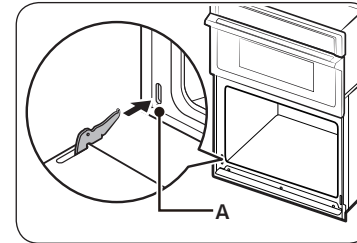
⚠ CAUTION

The door of the upper oven cannot be removed.

Replace oven door

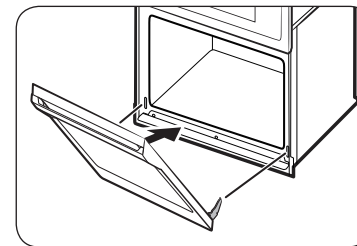
⚠ CAUTION

The door is very heavy. You may need help lifting the door high enough to slide it into the hinge slots. Do not lift the door by the handle.



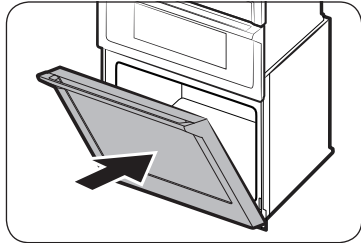
- A. Slot in the oven cavity for door hinge lock

1. Using two hands, grasp side edges of door at the midpoint. Face the oven cavity.
2. Locate the slots on each side of the oven cavity for the door hinge locks.



3. At a 45° angle, align door hinges with slots in the lower front of the oven cavity. Slowly insert door, making sure you maintain the 45° angle. You will know the door is engaged in the slot when you feel a slight drop.

Installation instructions



4. Lower the oven door to the fully open position. If the oven door does not open to a full 90°, repeat steps 1 through 3.
5. Locate the oven door hinge locks in the corners of the oven door, and rotate the hinge locks toward the oven cavity to the locked position.
See Step 1 (illustration A) in the “Remove Oven Door” section for proper locked position.
6. Close the oven door.
7. When the hinges are properly installed and the door closed, there should be an even gap between upper and lower door. If one side of the oven door is hanging lower than the other, the hinge on that side is not properly installed.
8. Connect Wire Harness.

Electrical connection

For Combi. Ovens

⚠ WARNING

Electrical Shock Hazard

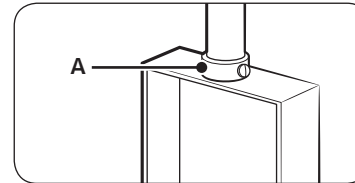
Disconnect power before servicing.

Use 8 gauge solid copper wire.

Make sure to ground the oven.

Failure to follow these instructions can result in death, fire, or electrical shock.

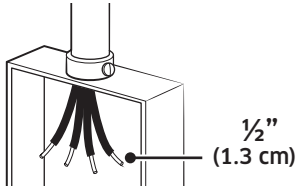
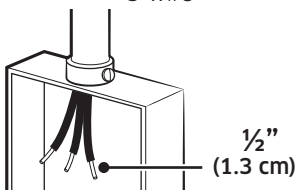
This oven is manufactured with a neutral (white) power supply wire and a cabinet-connected ground (green or bare) wire twisted together.



A. UL listed or CSA approved conduit connector

1. Disconnect power.
2. Feed the flexible conduit from the oven through the opening in the cabinet.
3. Remove junction box cover if it is present.
4. Install a UL listed or CSA approved conduit connector to the junction box.
5. Route the flexible conduit from the oven to the junction box through a UL listed or CSA approved conduit connector.
6. Tighten screws on conduit connector.
7. See “Electrical Connection Options Chart” to complete installation for your type of electrical connection.

Electrical Connection Options Chart

If your home has:	Go to section:
<p>4-wire</p> 	4-Wire Cable from Home Power Supply
<p>3-wire</p> 	3-Wire Cable from Home Power Supply

⚠ WARNING

Electrical Shock Hazard

Disconnect power before servicing.

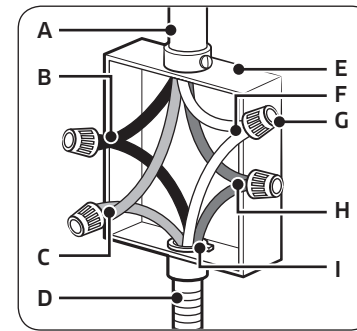
Use 8 gauge solid copper wire.

Electrically ground oven.

Failure to follow these instructions can result in death, fire, or electrical shock.

4-Wire Cable from Home Power Supply

IMPORTANT: Use the 4-wire cable from home power supply in the U.S. where local codes do not allow grounding through neutral, New Branch circuit installations (1996 NEC), mobile homes and recreational vehicles, new construction and in Canada.



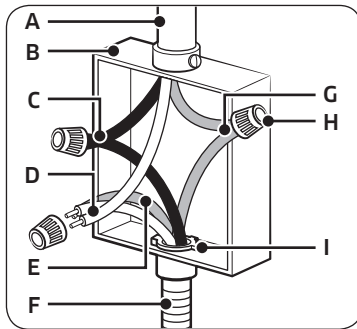
- A. Cable from home power supply
- B. Black wires (normally L1)
- C. Red wires (normally L2)
- D. 4-wire flexible conduit from oven
- E. Junction box
- F. White wires (normally N-neutral)
- G. UL listed wire connectors
- H. green wires (normally G-ground)
- I. UL listed or CSA approved conduit connector

1. Connect the 2 black wires (B) together using a UL listed wire connector.
2. Connect the 2 red wires (C) together using a UL listed wire connector.
3. Connect the 2 white wires (F) together using a UL listed wire connector.
4. Connect the green (or bare) ground wire (H) from the oven cable to the green (or bare) ground wire (in the junction box) using a UL listed wire connector.
5. Install junction box cover.

Installation instructions

3-Wire Cable from Home Power Supply - U.S. Only

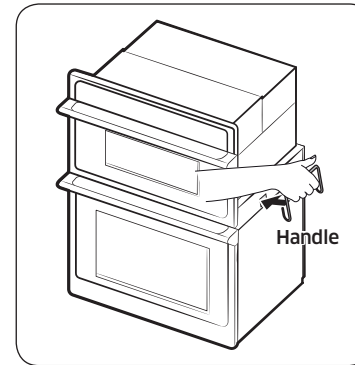
IMPORTANT: Use the 3-wire cable from home power supply where local codes permit a 3-wire connection.



1. Connect the 2 black wires (C) together using a UL listed wire connector.
2. Connect the 2 white wires (D) and the green (or bare) ground wire (of the oven cable) using a UL listed wire connector.
3. Connect the 2 red wires (G) together using a UL listed wire connector.
4. Install junction box cover.

- A. Cable from home power supply
- B. Junction box
- C. Black wires (normally L1)
- D. White wires (normally N-neutral)
- E. green wires (normally G-ground)
- F. 4-wire flexible conduit from oven
- G. Red wires (normally L2)
- H. UL listed wire connectors
- I. UL listed or CSA approved conduit connector

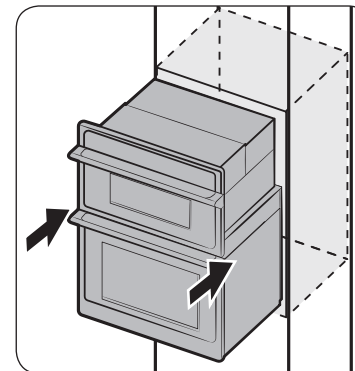
Install oven



1. Using 2 or more people, lift the oven partially into the cabinet cutout. Use the handle as shown below.

NOTE

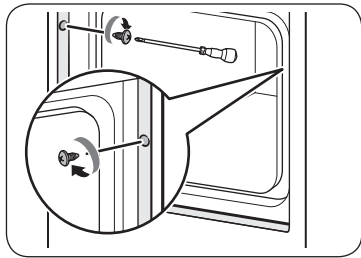
Carefully push against front oven frame.



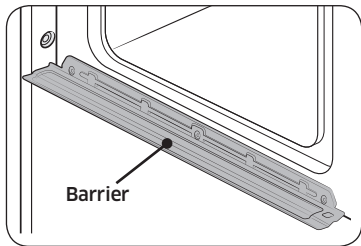
2. Push against the seal area of the front frame to push the oven into the cabinet until the back surface of the front frame touches the front wall of the cabinet.

CAUTION

Only push the lower oven. Do not push the upper oven. (To prevent radio frequency leakage.)

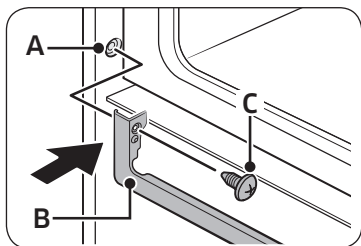


3. Push oven completely into the cabinet and center the oven into the cabinet cutout.
4. Remove the tape from front trims.
 - Securely fasten the oven to the cabinet using the screws provided.
 - Insert the screws through hole in trim aligning with hole in lower oven frame. Do not overtighten screws.



⚠ WARNING

When inserting the oven, use caution not to deform or damage the barrier underneath.

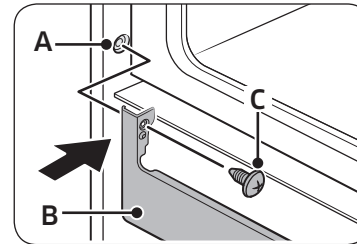


5. The bottom metal trim are shipped in the foam packing. To install the metal bottom trim, see following instructions.
 - Align tab of the bottom trim with a hole in the left side trim of the unit as shown. Repeat on the right side.
 - Using one screw on each side of the trim tab, fasten the trim securely to the oven.

- A. Trim Left
- B. Trim Bottom
- C. Screw

⚠ CAUTION

Lower oven door should be removed, before fastening the trim.



- A. Trim Left
- B. Trim Bottom Large
- C. Screw

6. If the cutout size is larger than 1.5 inches use of the wider bottom trim is recommended.

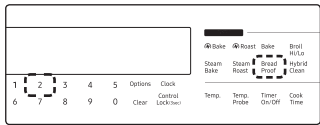

📖 NOTE

The upper oven can be fixed with 4 screws, and the lower oven with 2 screws.

Self-diagnosis

Temp sensor & Heater check

1. After connecting the power, check if the display works properly.
2. Remove all accessories (Gliding Rack, Flat-Rack, Smart Divider...etc.) from inside of the oven cavity.
3. You cannot proceed with self-diagnosis if the oven cavity is hot or the door is open.
 - In this case, "Hot or door" message appears on the display.
4. To start self-diagnosis, press both Hidden Keys simultaneously for 5 seconds.
 - Refer to the table below for the hidden keys for each model.
 - Self-diagnosis takes approximately 4~5 minutes.

Model	NQ70M6650**	NQ70M7770**
Control panel		
Hidden Key	Bread Proof + "2"	MICROWAVE + LOWER OVEN

5. If there is no error, 'PASS' appears on the display with an alert sound.
6. If there is an error, following message appears on the display with an alert sound.

Model		NQ70M6650**	
		Error code	Remark
Feature	Lower Broil	H-4	Lower Oven Only
	Lower Bake	H-3	

Model		NQ70M7770*	
		Error code	Remark
Feature	Lower Broil	H-4	Lower Oven Only
	Lower Bake	H-3	

7. If an error occurs, contact a Samsung service center for further service.

NOTE

If you see any other error messages that are not listed above, please contact a Samsung service center. call e.g. 1-800-SAMSUNG (726-7864).

Troubleshooting

Information codes

Oven

Displayed code	Possible cause	Solution
C-d0	This code occurs if the control key is short for 1 minute.	Clean the buttons and make sure there is no water on/ around them. Turn off the oven and try again. If the problem continues, contact a local Samsung service center.
C-d1	This code occurs if the door lock is mispositioned.	Touch OVEN OFF , and then restart the oven. If the problem persists, disconnect all power to the oven for at least 30 seconds and then reconnect the power. If this does not solve the problem, call for service.
C-F0	This code occurs if communication between the Main and Sub PBA is interrupted.	
C-F2	This code occurs if communication between the Main and Touch is interrupted.	
C-20	The oven sensor is open when the oven is operating.	
	The oven sensor is short when the oven is operating.	

Displayed code	Possible cause	Solution
C-21	This code occurs if the internal temperature rises abnormally high.	Touch OVEN OFF , and then restart the oven. If the problem persists, disconnect all power to the oven for at least 30 seconds and then reconnect the power. If this does not solve the problem, call for service.
C-23	The temp probe sensor is short when the oven is operating.	
C-30	The PCB sensor is open when the oven is operating.	Call for service.
	The PCB sensor is short when the oven is operating.	
C-31	This code occurs if the PCB temperature rises abnormally high.	Touch OVEN OFF , and then restart the oven. If the problem persists, disconnect all power to the oven for at least 30 seconds and then reconnect the power. If this does not solve the problem, call for service.
C-70	The Steam sensor is open when the oven is operating.	
C-70	The Steam sensor is short when the oven is operating.	Call for service.
	There are drain system-related problems.	
C-72	There are drain system-related problems.	Call for service.
C-A2	Cooling motor is abnormally operated.	
-dC- (NQ70M7770DG only)	This code appears if the divider is inserted or removed while the oven is operating.	Make sure the divider is inserted properly, and then restart the oven. If the problem persists, disconnect all power to the oven for at least 30 seconds and then reconnect the power. If this does not solve the problem, call for service.



Scan the QR code* or visit
www.samsung.com/spsn
 to view our helpful
 How-to Videos and Live Shows

*Requires reader to be installed on your smartphone

Scan this with your smartphone

Please be advised that the Samsung warranty does NOT cover service calls to explain product operation, correct improper installation, or perform normal cleaning or maintenance.

QUESTIONS OR COMMENTS?

COUNTRY	CALL	OR VISIT US ONLINE AT
U.S.A Consumer Electronics	1-800-SAMSUNG (726-7864)	www.samsung.com/us/support
CANADA	1-800-SAMSUNG(726-7864)	www.samsung.com/ca/support (English) www.samsung.com/ca_fr/support (French)



DE68-04454A-00

Horno combinado empotrable eléctrico

Manual de instalación

NQ70M6650D*/NQ70M7770D*



SAMSUNG

Contenido

Información sobre seguridad	2
Seguridad de los equipos relacionados	2
Transporte	2
Preparación	4
Lista de verificación	4
Preparación para instalar el horno	4
Requisitos de ubicación	5
Dimensiones del producto - hornos combinados	5
Dimensiones del gabinete: - hornos combinados	6
Instrucciones de instalación	8
Cómo preparar el horno empotrado	8
Retirar y reemplazar la puerta del horno	8
Conexión eléctrica	10
Cómo instalar el horno	12
Autodiagnóstico	14
Sensor de temperatura y control del calentador	14
Resolución de problemas	15
Códigos de información	15

Información sobre seguridad

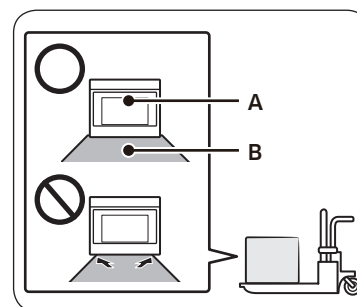
Seguridad de los equipos relacionados

Retire toda la cinta y el empaque antes de usar el artefacto. Deseche el empaque luego de quitar el artefacto. Nunca deje que los niños jueguen con el material de empaque.

Nunca modifique o altere la construcción del artefacto. Por ejemplo, no quite paneles, portacables o tornillos.

Transporte

Utilice el método de transporte que se ilustra a continuación a fin de evitar que se dañe la ventilación del horno.



- A. Parte delantera
- B. Palé

Sostenga la parte inferior del horno de ambos lados al desplazarlo hacia su ubicación de instalación. Deje la unidad en el palé de envío hasta que esté frente a la abertura del gabinete y esté listo para colocarlo en su lugar.

⚠ PELIGRO

PELIGRO DE ELECTROCUCIÓN

Para evitar el riesgo de electrocución, lesiones físicas o la muerte, verifique que el artefacto esté conectado a tierra correctamente de conformidad con los códigos locales o, en su ausencia, con el Código eléctrico nacional (NEC). Versión más reciente de ANSI/NFPA 70.

⚠ ADVERTENCIA

PELIGRO DURANTE EL TRASLADO

Este artefacto requiere de dos o más personas para manipularlo o trasladarlo a fin de evitar el riesgo de sufrir lesiones personales graves. Se recomienda el uso de dispositivos para el transporte del artefacto.

⚠ ADVERTENCIA

- La información de este manual debe seguirse rigurosamente.
 - De lo contrario, podrían producirse incendios o descargas eléctricas causantes de daños a la propiedad, lesiones personales, o la muerte.
- Importante: Conserve este manual de instalación para que pueda ser consultado por el inspector del servicio eléctrico de su localidad.
- Instalación adecuada: Asegúrese de que el artefacto se encuentre correctamente instalado y conectado a tierra por un técnico calificado.
- Las nuevas construcciones de circuitos ramales (1996 NEC), casas rodantes, vehículos recreativos e instalaciones donde los códigos locales prohíben la conexión a tierra mediante el conductor neutro, requieren conexiones de circuitos ramales de 4 conductores.
- Si el cableado de aluminio de la casa no se conecta adecuadamente a los cables de cobre podría existir riesgo de electrocución o incendio. Solo utilice conectores diseñados para unir cobre con aluminio y siga el procedimiento recomendado por el fabricante del conector.
- Se deben utilizar tornillos de montaje.
 - De lo contrario, el horno podría caerse del gabinete y ocasionar lesiones graves.

⚠ PRECAUCIÓN

- Asegúrese de que los gabinetes y los revestimientos de las paredes alrededor del horno puedan soportar las temperaturas (hasta 194 °F [90 °C]) que este genera.
 - Se podrían producir alteraciones de color, deslaminación o derretimiento.
- NO quite los separadores de las paredes laterales del horno empotrado.
 - Estos centran el horno en el espacio provisto. El horno debe estar centrado para evitar la acumulación excesiva de calor que puede provocar daños o incendios.

⚠ ADVERTENCIA

- La información de este manual debe seguirse rigurosamente.
 - De lo contrario, podrían producirse incendios o descargas eléctricas causantes de daños a la propiedad, lesiones personales, o la muerte.

NOTA IMPORTANTE

La instalación adecuada es responsabilidad del instalador y la falla del producto debido a una instalación inadecuada no está cubierta por la Garantía.

⚠ ADVERTENCIA

- NO coloque ningún peso sobre la puerta del horno. Nunca nadie se debe trepar, sentar, parar o colgar de la puerta del horno.
 - El horno podría inclinarse y producir lesiones ya sea por los alimentos calientes o el mismo horno.

⚠ ADVERTENCIA

- Cuando se realizan las conexiones eléctricas, la alimentación eléctrica debe estar cortada.
 - De lo contrario, se podrían producir lesiones personales graves, descargas eléctricas o la muerte.

NOTA IMPORTANTE

- Cumpla todos los códigos y ordenanzas exigidos por las autoridades pertinentes. Este electrodoméstico debe conectarse a tierra correctamente.
- Mantenga los conductos de ventilación del horno libres de obstrucciones. La abertura de ventilación del horno está ubicada en la parte inferior del horno. Esta área podría calentarse durante el uso del horno. Nunca tapone esta abertura de ventilación ni coloque elementos de plástico o sensibles al calor frente a dicha abertura.

Preparación

Lista de verificación

Use esta lista de verificación para comprobar que ha completado todos los pasos del proceso de instalación. Esto puede ayudarlo a evitar errores.

1. Antes de instalar el horno, asegúrese de verificar que las dimensiones del gabinete sean las adecuadas para la unidad y que las conexiones eléctricas necesarias estén presentes.
2. Consulte el manual de instalación para ver contenido sobre Seguridad, Dimensiones del gabinete, Desempaque, Instalación eléctrica, Prueba de la instalación y Servicio al Cliente.
3. Para levantar el horno, cuelgue la manija de instalación en el gancho lateral de la unidad.
4. Coloque el horno frente a la abertura del gabinete, dejando el empaque inferior en la unidad para evitar dañar el piso.
5. Levante la unidad con ayuda de otras personas y colóquela directamente en el recorte del gabinete cuidando de no agarrarse los dedos o raspase las manos o los brazos. Asegúrese de que el conducto eléctrico alcance bien el punto de conexión.
6. Deslice la unidad hasta el lugar deseado asegurándose de ir llevando el conducto eléctrico correctamente.
7. Ajuste el horno a la abertura del gabinete con los tornillos provistos (usando un destornillador Philips).
8. Consulte las instrucciones de instalación completas y siga el resto de los procedimientos indicados, incluida la prueba de funcionamiento.
9. Junto con el horno, se suministran las instrucciones del producto y los accesorios (envueltos o en caja).
10. **INSTALADOR:** Las instrucciones y los accesorios deben quedar en manos del cliente.

Preparación para instalar el horno

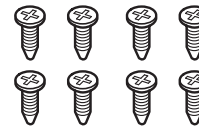


Destornillador Phillips



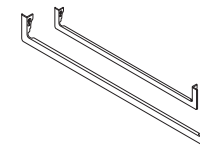
Taladro

Preparación para instalar el horno



8 tornillos (M4 L16)

8 tornillos de montaje para madera (6 tornillos necesarios para la instalación y 2 adicionales)



30" (76.2 cm)
Borde inferior de metal

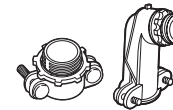
Materiales necesarios



Caja de empalmes



Conectores de torsión



Conector de conducto de $\frac{3}{4}$ "

Requisitos de ubicación

IMPORTANTE: Cumpla todos los códigos y ordenanzas exigidos por las autoridades pertinentes.

- Se deben utilizar las dimensiones de abertura de los gabinetes que se muestran. Las dimensiones provistas ofrecen una separación mínima con el horno.
- El área de instalación empotrada debe proveer un recinto cerrado alrededor de la porción empotrada del horno.
- Se requiere un suministro eléctrico con conexión a tierra. Consulte la sección “Conexión eléctrica”.
- Cuando el horno está instalado en un gabinete de pared, la caja de empalmes del suministro eléctrico debe ubicarse como máximo 3” (7.6 cm) por debajo de la superficie de apoyo. Debe haber realizado un orificio de 1” (2.5 cm) de diámetro como mínimo en la esquina trasera derecha o izquierda de la superficie de apoyo para pasar el cable del artefacto y conectarlo a la caja de empalmes.

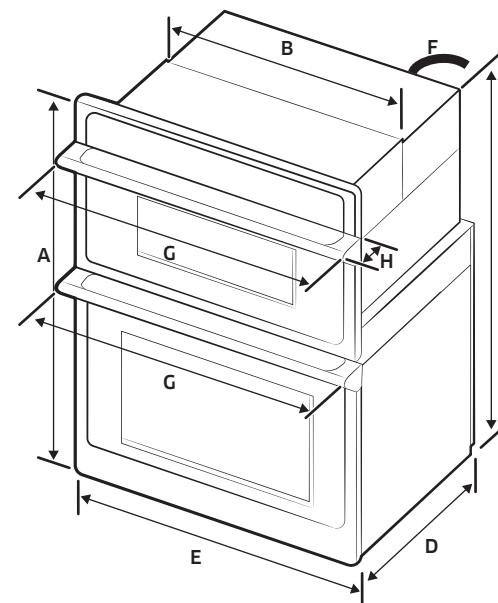
NOTA

Para instalaciones bajo mesada, se recomienda que la caja de empalmes se encuentre en el gabinete adyacente derecho o izquierdo. Si ubicará la caja de empalmes en la pared trasera detrás del horno, se recomienda que se empotre y coloque en la parte superior derecha del gabinete.

- La superficie de apoyo del horno debe ser sólida, nivelada y estar a nivel con la parte inferior del recorte del gabinete.
- El piso debe ser capaz de soportar un horno combinado de 287 lb (130 kg).

IMPORTANTE: Para evitar dañar sus gabinetes, verifique con el constructor o distribuidor de gabinetes para asegurarse de que los materiales utilizados no se descoloren, se descascaren o puedan sufrir otros daños. Este horno ha sido diseñado de acuerdo con los requisitos de UL y CSA International, y cumple con las temperaturas para gabinetes de madera máximas permitidas de 194 °F (90 °C).

Dimensiones del producto - hornos combinados



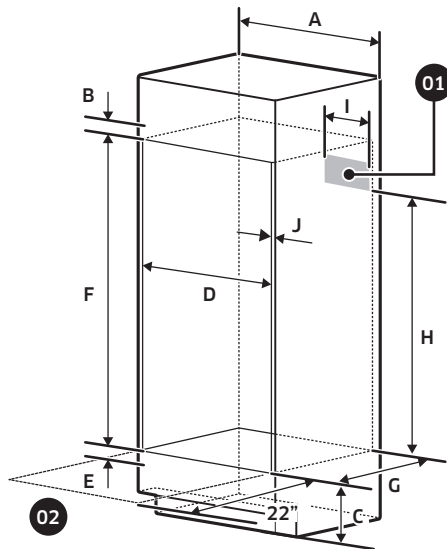
DIMENSIONES		
A	43 ¹ / ₄ " (109.9 cm)	Altura total
B	28 ¹ / ₂ " (72.4 cm)	Ancho empotrado
C	42" (106.5 cm)	Altura empotrada
D	23 ¹ / ₈ " (58.7 cm)	Profundidad empotrada
E	29 ³ / ₄ " (75.6 cm)	Ancho de la puerta
F	67" (170 cm)	Longitud del conducto
G	29 ⁷ / ₈ " (75.9 cm)	Ancho total (ancho manija)
H	2 ⁹ / ₁₆ " (6.5 cm)	Profundidad de la manija

Preparación

Dimensiones del gabinete: - hornos combinados

Hornos combinados instalados en gabinete

- 01 Caja de empalmes
- 02 Debe haber 22" de separación como mínimo hasta las esquinas, cajones, paredes, etc. cuando la puerta está abierta.



Gabinete	DIMENSIONES
A	30" (76.2 cm)
B	Mín. 1 ³ / ₁₆ " (3.0 cm)
C	12" (30.5 cm)
D	Mín. 28 ¹ / ₂ " / Máx. 28 ⁵ / ₈ " (Mín. 72.4 cm / Máx. 72.7 cm)
E	Mín. 1" / Máx. 1 ¹ / ₄ " (Mín. 2.5 cm / Máx. 3.2 cm)
F	42 ¹ / ₄ " (107.2 cm)

Gabinete	DIMENSIONES
G	Mín. 23 ¹ / ₂ " (Mín. 59.7 cm)
H	Mín 30 ¹ / ₂ " (Mín 755 mm)
I	Máx. 9 ¹ / ₂ " (Máx. 24.1 cm) - Caja de empalmes
J	Mín. 1 ¹ / ₁₆ " (1.75 cm) - Grosor de gabinete de madera

Si los códigos lo permiten y se emplea un cable a tierra separado, es recomendable que un electricista calificado determine si la trayectoria a tierra y el calibre del cable cumplen con los códigos locales.

Si no está seguro si la conexión a tierra del horno está correctamente realizada, consulte a un electricista calificado.

Este horno debe conectarse a un sistema de conexión a tierra permanente de metal.

Asegúrese de que la conexión eléctrica y el tamaño del cable sean adecuados y que cumplan con la versión más reciente del Código eléctrico nacional ANSI/NFPA 70 o la norma C22 de CSA.

1-94, la versión más reciente del Código eléctrico de Canadá, Sección 1 y C22.2 No. 0-M91, y todos los códigos y ordenanzas locales.

Se puede obtener una copia de las normas mencionadas arriba en:

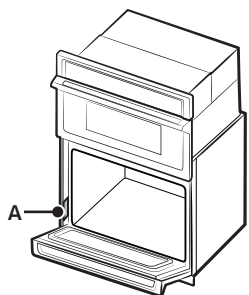
National Fire Protection Association
1 Batterymarch Park
Quincy, MA 02169-7471

CSA International
8501 East Pleasant Valley Road
Cleveland, OH 44131-5575

Conexión eléctrica

Para instalar correctamente el horno, se debe determinar el tipo de conexión eléctrica que se va a usar y seguir las instrucciones proporcionadas en este manual.

- El horno debe conectarse al voltaje y la frecuencia adecuados según se establece en la placa de modelo/serie/especificaciones. La placa de modelo/serie/especificaciones se encuentra debajo del panel de control en los hornos combinados. Vea las siguientes ilustraciones.



Horno combinado

A. Placa de modelo/serie/especificaciones

- Se recomienda el uso de un disyuntor.
- Use la siguiente tabla para determinar la protección mínima recomendada dedicada al circuito.

Régimen en KW (240 V)	Régimen en KW (208 V)	Tamaño recomendado del circuito (dedicado)
≤4.8 KW	≤4.1 KW	20 Amp
4.9 KW - 7.5 KW	4.3 KW - 6.2 KW	30 Amp
7.3 KW - 9.6 KW	6.3 KW - 8.3 KW	40 Amp
9.7 KW - 12.0 KW	8.4 KW - 10.4 KW	50 Amp

- Conecte directamente a la caja del disyuntor del circuito (o de desconexión con fusibles) a través de un cable de cobre flexible, blindado o con revestimiento no metálico. Consulte la sección "Conexión eléctrica".

- El conducto flexible del horno debe conectarse directamente a la caja de empalmes.
- Coloque fusibles en ambos lados de la línea.
- No corte el conducto. La longitud del conducto provisto con el horno permite realizar tareas de servicio.
- Se debe suministrar un conector de conductos aprobado por UL o CSA.
- Si la casa tiene un cableado de aluminio, siga el procedimiento a continuación:
 - Conecte un tramo de cable de cobre macizo a las tomas de conexión del conducto flexible.
 - Conecte el cableado de aluminio a la sección añadida de cable de cobre utilizando conectores especiales y/o herramientas diseñadas para unir cobre con aluminio aprobadas por UL.

Siga el procedimiento recomendado por el fabricante del conector eléctrico. La conexión entre aluminio y cobre debe cumplir con los códigos locales y las prácticas de cableado aceptadas por la industria.

Para conocer los requisitos eléctricos de los modelos NQ70M6650D y NQ70M7770D, consulte la siguiente tabla.

Modelo	240 VCA	208 VCA
	kW	kW
NQ70M6650D	8.2	6.2
NQ70M7770D	9.5	7.2



Instrucciones de instalación

Cómo preparar el horno empotrado

⚠ ADVERTENCIA

Peligro por peso excesivo

Hacen falta dos o más personas para trasladar e instalar el horno. De lo contrario, podría dañarse la espalda o sufrir otras lesiones.

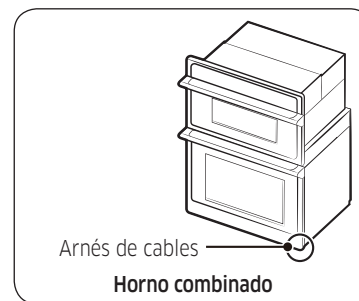
1. Decida la ubicación final del horno. Evite perforar o cortar el cableado de la casa durante la instalación.
2. Para evitar dañar el piso, coloque el horno sobre un cartón previo a la instalación. No utilice la manija ni ninguna parte del marco frontal del horno para levantarlo.
3. Retire los materiales de envío y la cinta del horno. Recuerde conservar los materiales de empaque necesarios para la instalación.
4. Quite el paquete de componentes que se encuentra en la bolsa con las instrucciones.
5. Retire los estantes y demás piezas del interior del horno.
6. Desplace el horno y el cartón cerca de la ubicación final del horno.

Retirar y reemplazar la puerta del horno

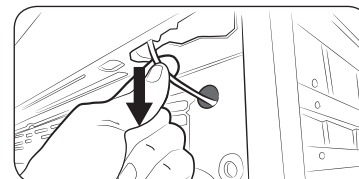
IMPORTANTE: Retire la puerta del horno inferior con las dos manos. La puerta del horno superior no puede retirarse.

Antes de retirar la puerta del horno, prepare la superficie donde la colocará. Esta superficie debe ser plana y recubierta de una manta suave o puede usar los postes de esquina del material de empaque.

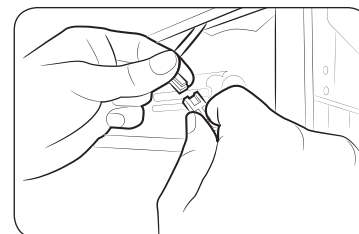
Desconexión del arnés de cables de la luz LED



Ubique el arnés de cables de la luz LED y desconéctelo antes de retirar la puerta.



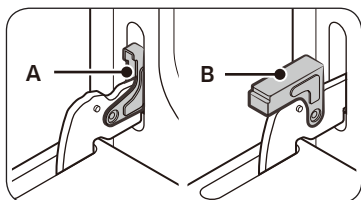
1. Jale cuidadosamente el cable hasta que aparezca el conector.



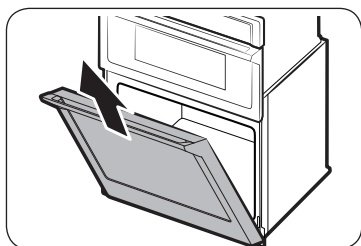
2. Desconéctelo.



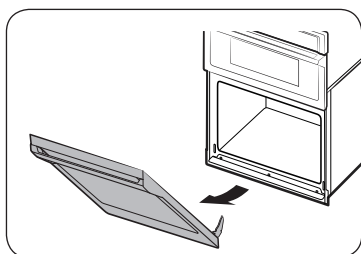
Retire la puerta del horno inferior



- A. Traba de la bisagra de la puerta del horno en posición trabada
- B. Traba de la bisagra de la puerta del horno en posición destrabada



1. Abra la puerta del horno.
2. Ubique la traba de la bisagra de la puerta del horno en ambas esquinas de la puerta del horno y luego rótelas hacia la puerta del horno para destrabarlas (observe la ilustración B). Si la traba de la bisagra de la puerta no se rota completamente, la puerta no podrá retirarse adecuadamente.
3. Cierre parcialmente la puerta para conectar las trabas de la puerta. En este punto, la puerta se detendrá.



4. Sujete los bordes de la puerta del horno con las dos manos. Levante y jale en su dirección la puerta del horno para retirarla. Quizá deba mover cuidadosamente la puerta de lado a lado mientras jala.
5. Deje la puerta del horno sobre la superficie de trabajo cubierta por una manta, con la manija en la parte de abajo.
6. Para seguir con la instalación del horno, vaya a la sección "Colocación de las patas del horno para distintas alturas de recortes de gabinetes".

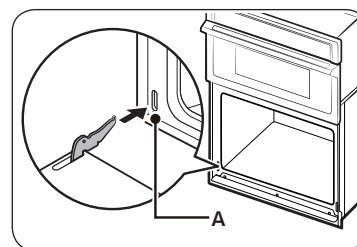
⚠ PRECAUCIÓN

La puerta del horno superior no se puede retirar.

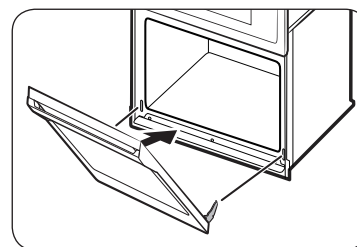
Cómo reemplazar la puerta del horno

⚠ PRECAUCIÓN

La puerta es muy pesada. Es posible que necesite ayuda para levantarla a una altura suficiente que permita encajarla en las ranuras de la bisagra. No levante la puerta por la manija.



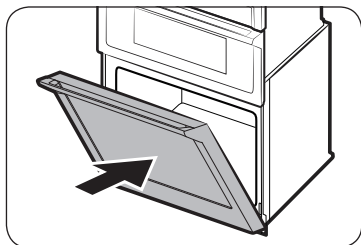
- A. Ranura en la cavidad del horno para la traba de la bisagra de la puerta



1. Sujete los bordes de la puerta del horno al medio con las dos manos. Colóquese frente a la cavidad del horno.
2. Busque las ranuras de cada lado de la cavidad del horno destinadas a las trabas de las bisagras de la puerta.
3. Alinee las bisagras de la puerta con las ranuras en la parte inferior frontal de la cavidad del horno a 45°. Introduzca la puerta lentamente, asegurándose de mantener la posición a 45°. Cuando la puerta se meta en la ranura, sentirá un leve descenso.



Instrucciones de instalación



4. Baje la puerta del horno abriéndola por completo. Si la puerta no abre 90°, vuelva a repetir los pasos 1 a 3.
5. Ubique la traba de la bisagra de la puerta del horno en ambas esquinas de la puerta del horno y luego rótelas hacia la cavidad del horno para trabarlas.
Consulte el Paso 1 (ilustración A) en la sección "Cómo retirar la puerta del horno" para ver la posición trabada correspondiente.
6. Cierre la puerta del horno.
7. Cuando las bisagras están instaladas correctamente y la puerta está cerrada, debe quedar una abertura regular entre la puerta superior y la inferior. Si un lado de la puerta del horno está más bajo que el otro, la bisagra de ese lado no está bien instalada.
8. Conecte el arnés de cables.

Conexión eléctrica

Para hornos combinados

⚠ ADVERTENCIA

Peligro de electrocución

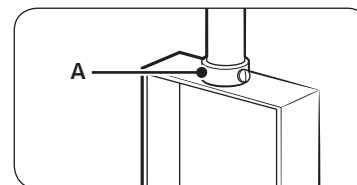
Desconecte la alimentación antes de realizar tareas de mantenimiento o reparación.

Utilice un cable de cobre macizo calibre 8.

Asegúrese de conectar el horno a tierra.

No seguir estas instrucciones puede provocar la muerte, un incendio o electrocución.

Este horno está fabricado con un cable de suministro eléctrico neutro (blanco) y un cable a tierra (verde o desnudo) conectado al gabinete trenzados juntos.

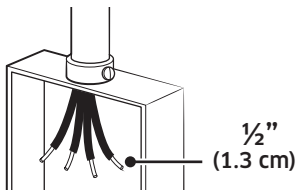
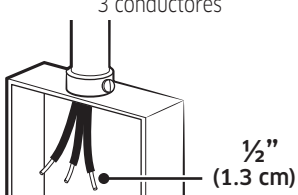


A. Conector de conductos aprobado por UL o CSA

1. Desconecte el suministro eléctrico.
2. Pase el conducto flexible del horno por la abertura del gabinete.
3. Quite la tapa de la caja de empalmes, si la tuviere.
4. Instale un conector de conductos aprobado por UL o CSA en la caja de empalmes.
5. Lleve el conducto flexible desde el horno hasta la caja de empalmes a través de un conector de conductos aprobado por UL o CSA.
6. Apriete los tornillos en el conector de conductos.
7. Consulte la "Tabla de opciones de conexión eléctrica" para completar la instalación de su tipo de conexión eléctrica.



Tabla de opciones de conexión eléctrica

Si en su casa tiene:	Vaya a la sección:
<p>4 conductores</p>  <p>1/2" (1.3 cm)</p>	<p>Cable de 4 conductores del suministro eléctrico hogareño</p>
<p>3 conductores</p>  <p>1/2" (1.3 cm)</p>	<p>Cable de 3 conductores del suministro eléctrico hogareño</p>

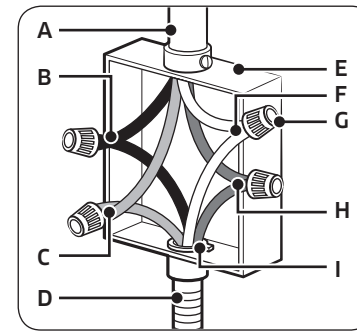
⚠ ADVERTENCIA

Peligro de electrocución

Desconecte la alimentación antes de realizar tareas de mantenimiento o reparación. Utilice un cable de cobre macizo calibre 8. Horno con conexión eléctrica a tierra. No seguir estas instrucciones puede provocar la muerte, un incendio o electrocución.

Cable de 4 conductores del suministro eléctrico hogareño

IMPORTANTE: Utilice el cable de 4 conductores del suministro eléctrico hogareño en EE. UU. donde los códigos locales no permiten la conexión a tierra mediante el conductor neutro, nuevas construcciones de circuitos ramales (1996 NEC), casas rodantes, vehículos recreativos, nuevas construcciones y en Canadá.



- A. Cable del suministro eléctrico hogareño
- B. Cables negros (normalmente L1)
- C. Cables rojos (normalmente L2)
- D. Conducto flexible del horno con 4 conductores
- E. Caja de empalmes
- F. Cables blancos (normalmente N-neutro)
- G. Conectores de cable aprobados por UL
- H. Cables verdes (normalmente G-tierra)
- I. Conector de conductos aprobado por UL o CSA

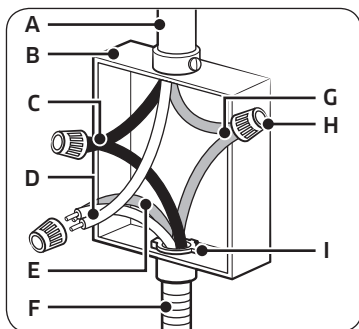
1. Conecte los 2 cables negros (B) juntos utilizando el conector de cables aprobado por UL.
2. Conecte los 2 cables rojos (C) juntos utilizando el conector de cables aprobado por UL.
3. Conecte los 2 cables blancos (F) juntos utilizando el conector de cables aprobado por UL.
4. Conecte el cable a tierra verde (o desnudo) (H) del horno al cable a tierra verde (o desnudo) (en la caja de empalmes) a través de un conector de cables aprobado por UL.
5. Instale la tapa de la caja de empalmes.



Instrucciones de instalación

Cable de 3 conductores del suministro eléctrico hogareño - EE. UU. solamente

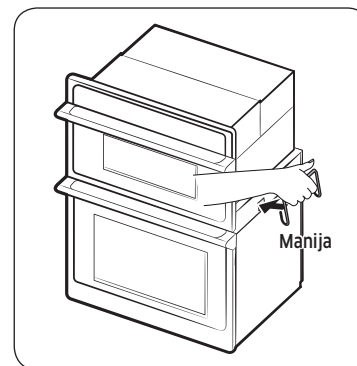
IMPORTANTE: Utilice el cable de 3 conductores del suministro eléctrico hogareño donde los códigos locales permitan una conexión de 3 conductores.



1. Conecte los 2 cables negros (C) juntos utilizando el conector de cables aprobado por UL.
2. Conecte los 2 cables blancos (D) y el cable a tierra verde (o desnudo) (del cable del horno) utilizando el conector de cables aprobado por UL.
3. Conecte los 2 cables rojos (G) juntos utilizando el conector de cables aprobado por UL.
4. Instale la tapa de la caja de empalmes.

- A. Cable del suministro eléctrico hogareño
- B. Caja de empalmes
- C. Cables negros (normalmente L1)
- D. Cables blancos (normalmente N-neutro)
- E. Cables verdes (normalmente G-tierra)
- F. Conducto flexible del horno con 4 conductores
- G. Cables rojos (normalmente L2)
- H. Conectores de cable aprobados por UL
- I. Conector de conductos aprobado por UL o CSA

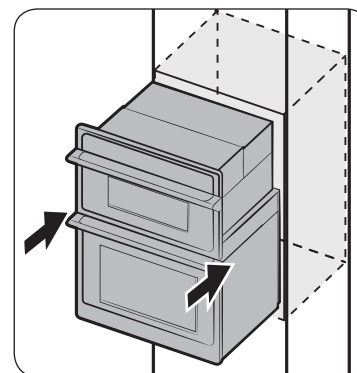
Cómo instalar el horno



1. Levante el horno parcialmente con ayuda de 2 o más personas hasta el recorte del gabinete. Utilice la manija como se muestra a continuación.

NOTA

Empuje el marco frontal del horno con cuidado.

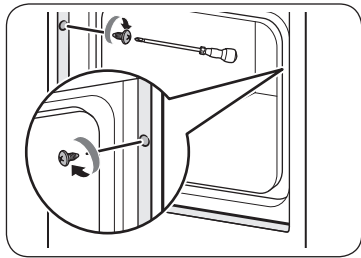


2. Empuje la zona de la junta del marco frontal para colocar el horno dentro del gabinete hasta que la superficie posterior del marco frontal toque la pared delantera del gabinete.

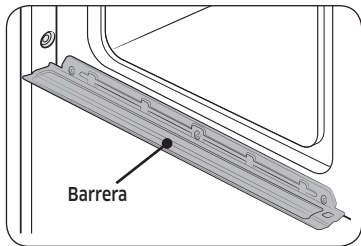
PRECAUCIÓN

Empuje solo el horno inferior. No empuje el horno superior. (Para evitar fuga de radiofrecuencia.)





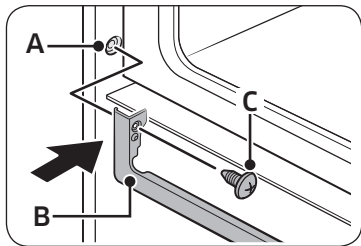
3. Empuje el horno dentro del gabinete por completo y céntrelo en el recorte del gabinete.
4. Retire la cinta de los bordes delanteros.
 - Sujete firmemente el horno al gabinete utilizando los tornillos provistos.
 - Inserte los tornillos en los orificios del borde alineándolos con los orificios del marco del horno inferior. No los ajuste demasiado.



Barrera

⚠ ADVERTENCIA

Cuando introduzca el horno, preste atención de no deformar o dañar la barrera de abajo.

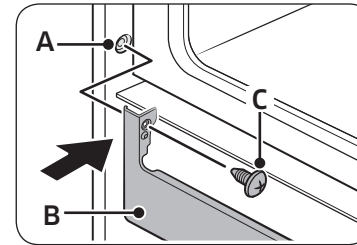


- A. Borde izquierdo
- B. Borde inferior
- C. Tornillo

5. El borde de metal inferior se envía en el empaque de espuma. Para instalar el borde de metal inferior, consulte las siguientes instrucciones.
 - Alinee la pestaña del borde inferior con un orificio del borde del lado izquierdo de la unidad, como se muestra. Repita la operación en el lado derecho.
 - Ajuste el borde en el horno firmemente usando un tornillo de cada lado de la pestaña del borde.

⚠ PRECAUCIÓN

La puerta del horno inferior debe retirarse antes de ajustar el borde.



- A. Borde izquierdo
- B. Borde inferior grande
- C. Tornillo

6. Si el tamaño de la abertura recortada supera las 1.5 pulgadas, se recomienda usar el borde inferior más ancho.

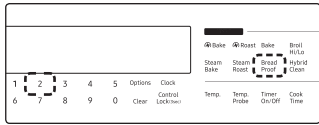

📖 NOTA

El horno superior se puede fijar con 4 tornillos, y el inferior con 2 tornillos.

Autodiagnóstico

Sensor de temperatura y control del calentador

1. Luego de conectar la alimentación, verifique que la pantalla funcione correctamente.
2. Retire todos los accesorios (parrilla deslizante, parrilla plana, divisor inteligente, etc.) del interior de la cavidad del horno.
3. No podrá realizar el autodiagnóstico si la cavidad del horno está caliente o la puerta está abierta.
 - En este caso, aparecerá el mensaje "Hot or door (Caliente o Puerta)" en la pantalla.
4. Para comenzar el autodiagnóstico, presione ambas teclas funcionales simultáneamente durante 5 segundos.
 - Consulte la siguiente tabla para ver las teclas funcionales de cada modelo.
 - El autodiagnóstico demora unos 4~5 minutos.

Modelo	NQ70M6650**	NQ70M7770**
Panel de control		
Tecla funcional	Bread Proof (Entibiar pan para leudado) + "2"	MICROWAVE (MICROONDAS) + LOWER OVEN (HORNO INFERIOR)

5. Si no hay ningún error, aparecerá 'PASS' (APROBADO) en la pantalla con un sonido de alerta.
6. Si hay un error, aparecerá el siguiente mensaje en la pantalla con un sonido de alerta.

Modelo		NQ70M6650**	
		Código de error	Comentario
Función	Asar a la parrilla inferior	H-4	Horno inferior solamente
	Hornear inferior	H-3	

Modelo		NQ70M7770*	
		Código de error	Comentario
Función	Asar a la parrilla inferior	H-4	Horno inferior solamente
	Hornear inferior	H-3	

7. Si se produce un error, comuníquese con el centro de servicio técnico de Samsung para recibir asistencia.

NOTA

Si encuentra otros mensajes de error no incluidos en la lista anterior, comuníquese con el centro de servicio técnico de Samsung llamando al 1-800-SAMSUNG (726-7864),

Resolución de problemas

Códigos de información

Horno

Código mostrado	Causa posible	Solución
C-d0	Este código se muestra si en la tecla de control hay un cortocircuito durante 1 minuto.	Limpie los botones y asegúrese de que no quede agua sobre ellos ni alrededor. Apague el horno y vuelva a intentarlo. Si el problema persiste, comuníquese con un centro de servicio local de Samsung.
C-d1	Este código se muestra si el bloqueo de la puerta está mal colocado.	Toque OVEN OFF (APAGAR HORNO) y reinicie el horno. Si el problema persiste, desconecte toda alimentación eléctrica al horno durante por lo menos 30 segundos y, luego, reconecte la alimentación eléctrica. Si esto no soluciona el problema, llame al servicio de reparaciones.
C-F0	Este código se muestra si se interrumpe la comunicación entre el PBA principal y el secundario.	
C-F2	Este código se muestra si se interrumpe la comunicación entre el principal y el táctil.	Toque OVEN OFF (APAGAR HORNO) y reinicie el horno. Si el problema persiste, desconecte toda alimentación eléctrica al horno durante por lo menos 30 segundos y, luego, reconecte la alimentación eléctrica. Si esto no soluciona el problema, llame al servicio de reparaciones.
C-20	El sensor del horno está abierto cuando el horno está funcionando. Hay un cortocircuito en el sensor del horno cuando el horno está funcionando.	
C-21	Este código se muestra si la temperatura interna es anormalmente alta.	Toque OVEN OFF (APAGAR HORNO) y reinicie el horno. Si el problema persiste, desconecte toda alimentación eléctrica al horno durante por lo menos 30 segundos y, luego, reconecte la alimentación eléctrica. Si esto no soluciona el problema, llame al servicio de reparaciones.
C-23	El sensor de la sonda de temperatura está cortocircuitado cuando el horno está funcionando.	
C-30	El sensor PCB está abierto cuando el horno está funcionando.	Toque OVEN OFF (APAGAR HORNO) y reinicie el horno. Si el problema persiste, desconecte toda alimentación eléctrica al horno durante por lo menos 30 segundos y, luego, reconecte la alimentación eléctrica. Si esto no soluciona el problema, llame al servicio de reparaciones.
	El sensor PCB está cortocircuitado cuando el horno está funcionando.	

Código mostrado	Causa posible	Solución
C-31	Este código se muestra si la temperatura de PCB es anormalmente alta.	Solicite servicio técnico.
C-70	El sensor de vapor está abierto cuando el horno está funcionando.	Toque OVEN OFF (APAGAR HORNO) y reinicie el horno. Si el problema persiste, desconecte toda alimentación eléctrica al horno durante por lo menos 30 segundos y, luego, reconecte la alimentación eléctrica. Si esto no soluciona el problema, llame al servicio de reparaciones.
	En el sensor de vapor hay un cortocircuito cuando el horno está funcionando.	
C-72	Hay problemas relacionados con el sistema de drenaje.	Solicite servicio técnico.
C-A2	El motor de enfriamiento no funciona con normalidad .	Solicite servicio técnico.
-dC- (solo NQ70M7770DG)	Este código aparece si el divisor se inserta o se retira cuando el horno está funcionando.	Asegúrese de que su divisor esté insertado correctamente y reinicie el horno. Si el problema persiste, desconecte toda alimentación eléctrica al horno durante por lo menos 30 segundos y, luego, reconecte la alimentación eléctrica. Si esto no soluciona el problema, solicite servicio técnico.



Escanee el código QR* o visite www.samsung.com/spsn para ver nuestros útiles videos instructivos y programas en vivo

*Requiere un lector instalado en su teléfono inteligente

Escanear con e teléfono inteligente

Tenga en cuenta que la garantía de Samsung NO cubre las llamadas de servicio para explicar el funcionamiento del producto, corregir una instalación inadecuada o realizar tareas de limpieza o mantenimiento.

¿TIENE PREGUNTAS O COMENTARIOS?

PAÍS	LLAME AL	O VISÍTENOS EN LÍNEA EN
U.S.A Consumer Electronics	1-800-SAMSUNG (726-7864)	www.samsung.com/us/support
CANADA	1-800-SAMSUNG(726-7864)	www.samsung.com/ca/support (English) www.samsung.com/ca_fr/support (French)



DE68-04454A-00

Four électrique encastrable à combiner

Manuel d'installation

NQ70M6650D*/NQ70M7770D*



SAMSUNG

Table des matières

Consignes de sécurité	2
Sécurité relative à l'équipement	2
Transport	2
Préparation	4
Liste de contrôle	4
Préparation avant l'installation du four	4
Conditions d'emplacement	5
Dimensions de l'appareil (fours combinés)	5
Dimensions du meuble (fours combinés)	6
Consignes d'installation	8
Préparation du four encastré	8
Retrait et réinstallation de la porte du four	8
Raccordement électrique	10
Installation du four	12
Auto-diagnostic	14
Contrôle du capteur de température et des éléments chauffants	14
Dépannage	15
Codes d'information	15

Consignes de sécurité

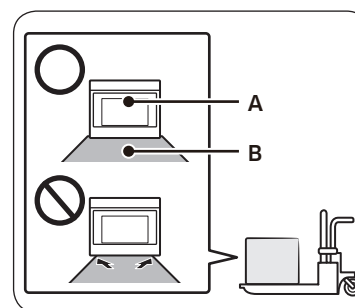
Sécurité relative à l'équipement

Retirez tous les adhésifs et l'emballage avant d'utiliser l'appareil. Mettez au rebut l'emballage après avoir déballé l'appareil. Ne laissez jamais les enfants jouer avec les matériaux d'emballage.

Ne modifiez ou n'altérez jamais la structure de l'appareil. Par exemple, ne retirez pas les panneaux, les caches de câbles ou les vis.

Transport

Pour éviter d'endommager la ventilation du four, utilisez la méthode de transport présentée dans l'image ci-dessous.



- A. Avant
- B. Palette

Soutenez le bas du four de l'un des côtés lorsque vous le déplacez vers l'emplacement d'installation. Laissez l'appareil relié à la palette de livraison jusqu'à ce qu'il soit en face de l'ouverture du meuble et qu'il est prêt à être soulevé pour sa mise en place.

⚠ DANGER

RISQUE D'ÉLECTROCUTION

Pour éviter tout risque d'électrocution, de blessures corporelles ou d'accident mortel, vérifiez que votre appareil a correctement été mis à la terre, conformément aux codes locaux ou, en l'absence de codes, au Code national électrique (NEC). ANSI/NFPA 70, dernière édition.

⚠ AVERTISSEMENT

RISQUE LORS DU DÉPLACEMENT

Pour éviter tout risque de blessures corporelles graves, cet appareil requiert deux personnes ou plus pour sa manipulation et son déplacement. Nous vous recommandons d'utiliser des dispositifs de déplacement d'appareils.

⚠ AVERTISSEMENT

- Les informations figurant dans le présent manuel doivent être scrupuleusement suivies.
 - En cas de non-respect de ces informations, un incendie ou une électrocution risque de survenir et de provoquer des dégâts matériels, des blessures corporelles ou des accidents mortels.
- Important : conservez le présent manuel d'installation pour que l'inspecteur électrique local puisse le consulter.
- Bonne installation - Assurez-vous que votre appareil est correctement installé et mis à la terre par un technicien qualifié.
- Toutes les constructions dont les circuits dérivés sont neufs (Code national électrique de 1996), les maisons mobiles, les véhicules et les installations de loisirs dont les codes locaux interdisent la mise à la terre par un conducteur neutre, nécessitent un raccordement en dérivation à 4 fils.
- Un mauvais raccordement du câblage en aluminium du domicile aux câbles en cuivre peut provoquer un risque électrique ou d'incendie. Utilisez uniquement des connecteurs conçus pour relier du cuivre à de l'aluminium et suivez attentivement la procédure recommandée par le fabricant.
- Les vis de montage doivent être utilisées.
 - En cas de non-respect de cette consigne, le four peut tomber du meuble et provoquer des blessures graves.

⚠ ATTENTION

- Assurez-vous que les revêtements du meuble et du mur situés autour du four peuvent résister à la température générée par le four (pouvant aller jusqu'à 194 °F [90 °C]).
 - Dans le cas contraire, des éléments peuvent se décolorer, se décoller ou fondre.
- Ne retirez pas les entretoises sur les parois latérales du four encastré.
 - Ces entretoises permettent de centrer le four dans l'espace disponible. Le four doit être centré pour éviter une accumulation excessive de chaleur, qui est susceptible d'entraîner des dommages ou un incendie.

⚠ AVERTISSEMENT

- Les informations figurant dans le présent manuel doivent être scrupuleusement suivies.
 - En cas de non-respect de ces informations, un incendie ou une électrocution risque de survenir et de provoquer des dégâts matériels, des blessures corporelles ou des accidents mortels.

REMARQUE IMPORTANTE

Il relève de la responsabilité de l'installateur de procéder à la bonne installation de l'appareil ; toute défaillance de l'appareil due à une mauvaise installation n'est PAS couverte par la garantie.

⚠ AVERTISSEMENT

- Ne placez pas de poids sur la porte du four. Ne laissez jamais qui que ce soit monter, s'asseoir, se mettre debout ou se pendre sur la porte du four.
 - Le four pourrait se renverser et provoquer des blessures à cause des aliments ou du four lui-même.

⚠ AVERTISSEMENT

- L'alimentation électrique doit être coupée lorsque vous procédez aux raccordements électriques.
 - Le non-respect de cette consigne peut entraîner des blessures corporelles voire mortelles ou une électrocution.

REMARQUE IMPORTANTE

- Respectez tous les codes et règlements en vigueur. Cet appareil doit être correctement relié à la terre.
- N'obstruez pas les conduits de ventilation du four. La ventilation du four se situe en bas du four. Pendant le fonctionnement du four, cette zone peut devenir extrêmement chaude. N'obstruez jamais cette ventilation et ne placez pas de matière plastique ou d'éléments sensibles à la chaleur devant elle.



Préparation

Liste de contrôle

Utilisez cette liste de contrôle pour vérifier que vous avez effectué chaque étape du processus d'installation. Elle peut vous aider à éviter de commettre des erreurs.

1. Avant d'installer le four, pensez à vérifier que les dimensions du meuble sont correctes pour accueillir votre appareil et que les raccordements électriques requis sont présents.
2. Reportez-vous au manuel d'installation pour consulter le contenu relatif à la sécurité, aux dimensions du meuble, au retrait de l'emballage, à l'installation électrique, aux tests de l'installation et au service après-vente.
3. Pour soulever le four, penchez la poignée d'installation sur le crochet latéral de l'appareil.
4. Déplacez le four en place, en face de l'ouverture du meuble, en laissant l'emballage du bas sur l'appareil pour éviter d'abîmer le sol.
5. Soulevez l'appareil à plusieurs et en même temps pour le déposer directement dans le découpage du meuble, en veillant à ne pas vous coincer les doigts ou à vous érafler les mains ou les bras. Assurez-vous que le conduit électrique atteint correctement le point de raccordement.
6. Faites glisser l'appareil en place jusqu'au bout, en veillant à acheminer correctement le conduit électrique.
7. Attachez le four à l'ouverture du meuble avec les vis fournies (à l'aide d'un tournevis cruciforme).
8. Consultez les instructions d'installation complètes et suivez le reste des procédures indiquées, notamment la réalisation d'un essai de fonctionnement.
9. Toute la documentation de l'appareil et les accessoires sont fournis avec le four (peut-être dans un emballage ou une boîte).
10. INSTALLATEUR : Laissez le kit de documentation et les accessoires au client.

Préparation avant l'installation du four



Tournevis cruciforme



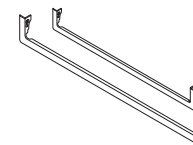
Perceuse

Préparation avant l'installation du four



8 vis (M4 L16)

8 vis en bois pour le montage (6 vis nécessaires pour l'installation et 2 de rechange)



30" (76,2 cm)

Garniture inférieure métallique

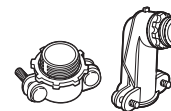
Matériel nécessaire



Boîte de jonction



Serre-fils



Raccord de conduit 3/4"



Conditions d'emplacement

IMPORTANT : Respectez tous les codes et règlements en vigueur.

- Les dimensions d'ouverture du meuble indiquées doivent être utilisées. Les dimensions données offrent un dégagement minimum par rapport au four.
- L'emplacement d'installation encastrée doit disposer d'un coffret complet faisant le tour de la partie encastrée du four.
- Une alimentation électrique mise à la terre est requise. Reportez-vous à la section « Raccordement électrique ».
- La boîte de jonction de l'alimentation électrique doit se trouver à 3" (7,6 cm) maximum en dessous de la surface d'appui lorsque le four est installé dans un meuble mural. Un trou d'au moins 1" (2,5 cm) de diamètre doit avoir été percé sur le coin arrière droit ou arrière gauche de la surface d'appui, afin d'y faire passer le câble de l'appareil jusqu'à la boîte de jonction.

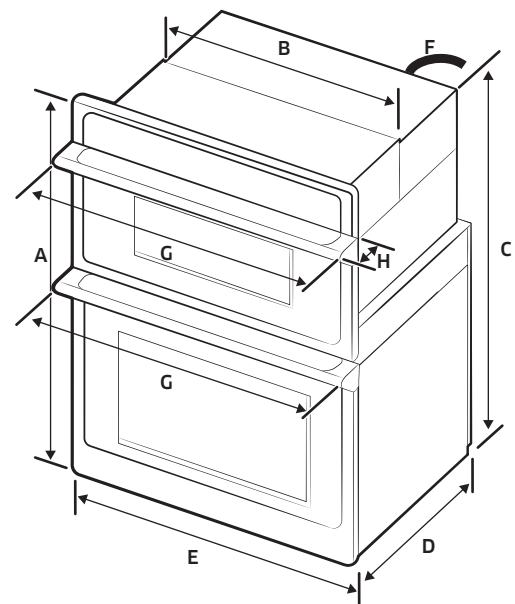
REMARQUE

Pour une installation sous le plan de travail, il est recommandé que la boîte de jonction se trouve dans le meuble adjacent à droite ou à gauche. Si vous installez la boîte de jonction sur le mur arrière derrière le four, il est recommandé que la boîte de jonction soit encastrée et située en haut à droite du meuble.

- Le plan d'appui du four doit être solide, de niveau et aligné avec le bas du découpage du meuble.
- Le sol doit pouvoir supporter le poids d'un four combiné de 287 lb (130 kg).

IMPORTANT : Afin d'éviter tout endommager de vos meubles, vérifiez avec votre constructeur ou avec le fournisseur du meuble que les matériaux utilisés ne se décolorent pas, ne se délaminent pas ou ne subiront aucun autre endommagement. Ce four a été conçu conformément aux exigences des réglementations internationales UL et CSA et est conforme à la température maximale admissible de 194 °F (90 °C) pour un meuble en bois.

Dimensions de l'appareil (fours combinés)



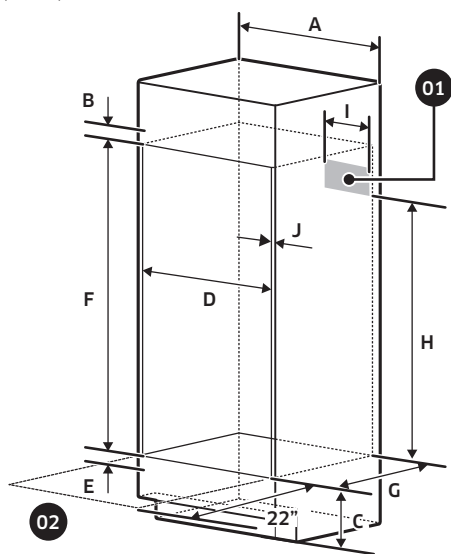
DIMENSIONS		
A	43 ¹ / ₄ " (109,9 cm)	Hauteur totale
B	28 ¹ / ₂ " (72,4 cm)	Largeur d'encastrement
C	42" (106,5 cm)	Hauteur d'encastrement
D	23 ³ / ₈ " (58,7 cm)	Profondeur d'encastrement
E	29 ³ / ₄ " (75,6 cm)	Largeur de la porte
F	67" (170 cm)	Longueur de conduit
G	29 ⁷ / ₈ " (75,9 cm)	Largeur totale (Largeur de la poignée)
H	2 ⁹ / ₁₆ " (6,5 cm)	Profondeur de la poignée

Préparation

Dimensions du meuble (fours combinés)

Fours combinés installés dans un meuble

- 01 Boîte de jonction
- 02 Laissez un dégagement minimum de 22" par rapport aux coins adjacents, tiroirs, murs, etc. lorsque la porte est ouverte.



Meuble	DIMENSIONS
A	30" (76,2 cm)
B	Minimum 1 ³ / ₁₆ " (3,0 cm)
C	12" (30,5 cm)
D	Minimum 28 ¹ / ₂ " / Maximum 28 ⁵ / ₈ " (Minimum 72,4 cm / Maximum 72,7 cm)
E	Minimum 1" / Maximum 1 ¹ / ₄ " (Minimum 2,5 cm / Maximum 3,2 cm)
F	42 ¹ / ₄ " (107,2 cm)

Meuble	DIMENSIONS
G	Minimum 23 ¹ / ₂ " (Minimum 59,7 cm)
H	Minimum 30 ¹ / ₂ " (Minimum 755 mm)
I	Maximum 9 ¹ / ₂ " (Maximum 24,1 cm) - Boîte de jonction
J	Minimum 1 ¹ / ₁₆ " (1,75 cm) - Épaisseur du meuble en bois

Si les lois le permettent et si un fil de mise à la terre séparé est utilisé, il est recommandé qu'un installateur électricien qualifié détermine si le chemin de mise à la terre et le calibre de fils sont conformes aux normes locales.

Si vous n'êtes pas sûr que le four soit correctement mis à la terre, vérifiez-le avec un installateur électricien qualifié.

Ce four doit être raccordé à un système métallique de câblage permanent mis à la terre. Assurez-vous que le branchement électrique et la taille des fils sont adéquats et conformes au Code national électrique, à la dernière édition de la réglementation ANSI/NFPA 70 ou aux normes de la CSA C22.

1-94, au code électrique canadien Partie 1 et à la dernière édition de la réglementation C22.2 n°O-M91, ainsi qu'à toutes les normes locales.

Une copie des normes susmentionnées peut être demandée auprès de :

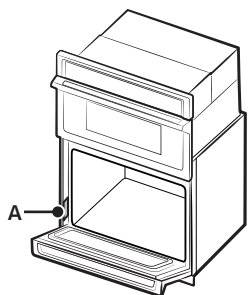
National Fire Protection Association
1 Batterymarch Park
Quincy, MA 02169-7471

CSA International
8501 East Pleasant Valley Road
Cleveland, OH 44131-5575

Raccordement électrique

Pour installer correctement votre four, vous devez déterminer le type de branchement électrique que vous utiliserez et suivre les instructions fournies dans le présent manuel.

- Le four doit être raccordé à une fréquence et une tension d'alimentation appropriées, telles que spécifiées sur la plaque du modèle/du numéro de série/signalétique. La plaque du modèle/du numéro de série/signalétique se trouve en dessous du panneau de commande, sur les fours combinés. Reportez-vous aux illustrations suivantes.



Four combiné

A. Plaque du modèle/du numéro de série/signalétique

- Il est recommandé d'utiliser un disjoncteur.
- Utilisez le tableau ci-dessous pour déterminer la protection minimale recommandée pour un circuit dédié.

Valeur nominale en KW (240 V)	Valeur nominale en KW (208 V)	Taille recommandée de circuit (dédié)
≤ 4,8 KW	≤ 4,1 KW	20 A
4,9 KW - 7,5 KW	4,3 KW - 6,2 KW	30 A
7,3 KW - 9,6 KW	6,3 KW - 8,3 KW	40 A
9,7 KW - 12,0 KW	8,4 KW - 10,4 KW	50 A

- Raccordez directement au boîtier disjoncteurs (ou au sectionneur à fusible) via un câble flexible, armé ou à gaine non métallique, en cuivre (avec fil de mise à la terre). Reportez-vous à la section « Raccordement électrique ».

- Le conduit flexible provenant du four doit être raccordé directement à la boîte de jonction.
- Équipez les deux côtés de la ligne de fusibles.
- Ne coupez pas le conduit. La longueur de conduit fournie permet de faciliter l'entretien du four.
- Un raccord de conduit répertorié UL ou homologué CSA doit être fourni.
- Si votre domicile possède du câblage en aluminium, suivez la procédure ci-dessous :
 - Reliez une partie du fil solide en cuivre aux extrémités des câbles du conduit flexible.
 - Branchez le câblage en aluminium sur la partie ajoutée de fil en cuivre, à l'aide de connecteurs spéciaux et/ou d'outils adaptés et répertoriés UL pour relier le cuivre à l'aluminium.

Suivez la procédure recommandée par le fabricant du connecteur électrique. La connexion aluminium/cuivre doit être conforme aux normes locales et aux pratiques de câblage acceptées dans le secteur.

Pour les exigences relatives à l'alimentation pour les modèles NQ70M6650D et NQ70M7770D, reportez-vous au tableau suivant.

Modèle	240 V CA	208 V CA
	kW	kW
NQ70M6650D	8,2	6,2
NQ70M7770D	9,5	7,2

Consignes d'installation

Préparation du four encastré

⚠ AVERTISSEMENT

Risque de poids excessif

Faites appel à deux personnes ou plus pour déplacer et installer le four.
Le non-respect de cette consigne peut entraîner des blessures au dos ou autres.

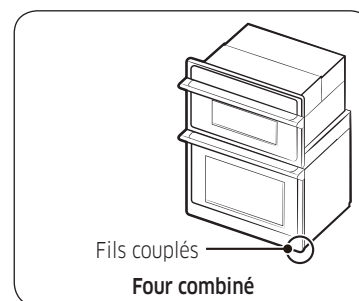
1. Déterminez l'emplacement final du four. Évitez de percer ou de couper le câblage du domicile lors de l'installation.
2. Pour éviter d'abîmer le sol, placez le four sur un carton avant son installation. N'utilisez pas la poignée ou toute autre partie du cadre avant pour lever l'appareil.
3. Retirez les matériaux d'emballage et les adhésifs présents sur le four. Pensez à conserver les matériaux d'emballage qui peuvent être nécessaires pour l'installation.
4. Retirez l'emballage du matériel présent à l'intérieur du sachet contenant la documentation.
5. Retirez les grilles et les autres pièces situées à l'intérieur du four.
6. Déplacez le four et le carton près de l'emplacement final du four.

Retrait et réinstallation de la porte du four

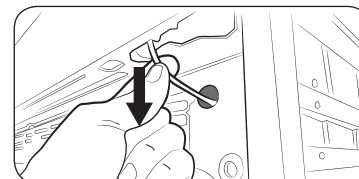
IMPORTANT: Utilisez vos deux mains pour retirer la porte du four inférieur. La porte du four supérieur ne peut pas être retirée.

Avant de retirer la porte du four, préparez une surface où vous pourrez la déposer. Cette surface doit être plate et recouverte d'une couverture douce, ou utilisez les montants d'angle présents dans les matériaux d'emballage.

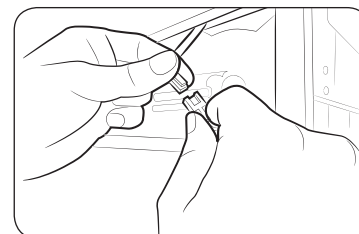
Débranchement des fils couplés de l'éclairage DEL



Repérez l'emplacement des fils couplés de l'éclairage DEL et débranchez-les avant de retirer la porte.

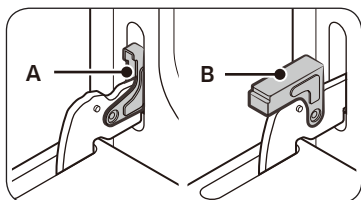


1. Tirez doucement sur le câble pour révéler le connecteur.

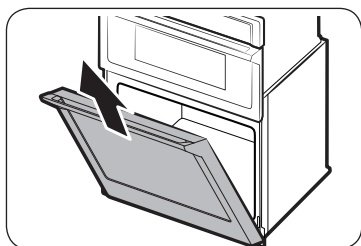


2. Débranchez le connecteur.

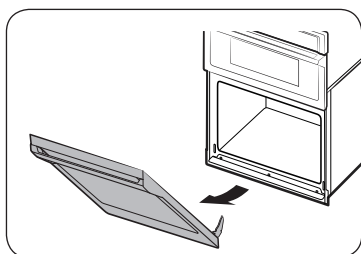
Retrait de la porte du four inférieur



- A. Verrou de la charnière de la porte du four en position verrouillée
- B. Verrou de la charnière de la porte du four en position déverrouillée



1. Ouvrez la porte du four.
2. Repérez l'emplacement des verrous de la charnière de la porte du four, aux deux angles de la porte du four, puis faites tourner les verrous de la charnière en direction de la porte du four pour les mettre en position déverrouillée (reportez-vous à l'illustration B). Si le verrou de la charnière de la porte n'est pas tourné entièrement, vous ne pouvez pas retirer correctement la porte.
3. Fermez partiellement la porte pour engager les verrous de la charnière de la porte. La porte s'arrête à cet endroit.



4. Avec vos deux mains, attrapez les bords de la porte du four. Soulevez et tirez la porte du four vers vous, puis retirez-la. Il se peut que vous deviez balancer doucement la porte d'un côté à l'autre à mesure que vous la tirez.
5. Mettez la porte du four de côté sur la surface de travail couverte préparée au préalable avec la porte du four reposant sur sa poignée.
6. Pour poursuivre l'installation du four, allez à la section « Positionnement des pieds du four pour plusieurs hauteurs de découpage du meuble ».

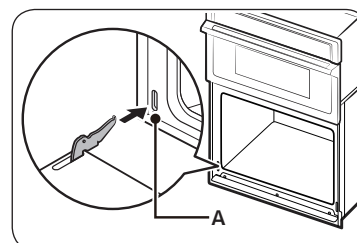
⚠ ATTENTION

La porte du four supérieur ne peut pas être retirée.

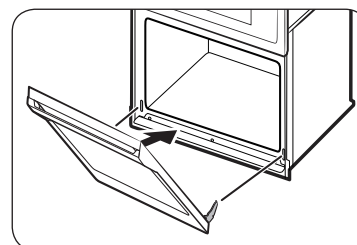
Réinstallation de la porte du four

⚠ ATTENTION

La porte est très lourde. Il se peut que vous ayez besoin d'aide pour soulever la porte suffisamment haut pour la faire glisser dans les trous de la charnière. Ne soulevez pas la porte par la poignée.

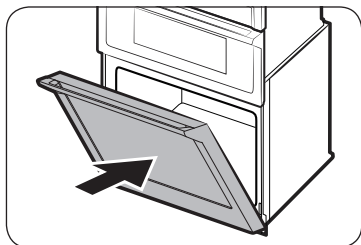


- A. Trou à l'intérieur du four pour le verrou de la charnière de la porte



1. Avec vos deux mains, attrapez les côtés de la porte au milieu. Placez-vous en face de l'intérieur du four.
2. Repérez l'emplacement des trous de chaque côté de la paroi intérieure du four, destinés aux verrous de la charnière de la porte.
3. En respectant un angle de 45°, alignez les charnières de la porte avec les trous en bas et à l'avant de l'intérieur du four. Insérez lentement la porte, en veillant à conserver l'angle de 45°. Si vous ressentez une légère chute, cela signifie que la porte est bien engagée dans le trou.

Consignes d'installation



4. Abaissez la porte du four en position entièrement ouverte. Si la porte du four ne s'ouvre pas complètement à 90°, recommencez les étapes 1 à 3.
5. Repérez l'emplacement des verrous de la charnière de la porte du four, aux angles de la porte du four, puis faites tourner les verrous de la charnière en direction de l'intérieur du four pour les mettre en position verrouillée.
Reportez-vous à l'étape 1 (Illustration A) dans la section « Retrait de la porte du four », pour connaître la bonne position de verrouillage.
6. Fermez la porte du four.
7. Lorsque les charnières sont correctement installées et que la porte est fermée, il devrait y avoir un écart régulier entre la porte inférieure et la porte supérieure. Si un côté de la porte du four descend plus bas que l'autre, la charnière de ce côté de la porte est mal installée.
8. Branchez les fils couplés.

Raccordement électrique

Pour les fours à combiner

⚠ AVERTISSEMENT

Risque d'électrocution

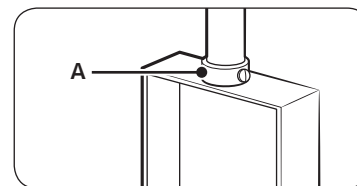
Coupez l'alimentation avant toute opération d'entretien.

Utilisez un fil en cuivre solide de calibre 8.

Assurez-vous de raccorder le four à la terre.

Le non-respect de ces consignes peut entraîner un incendie ou une électrocution et avoir des conséquences mortelles.

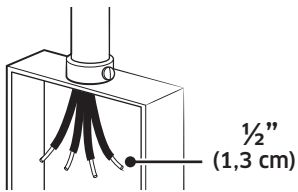
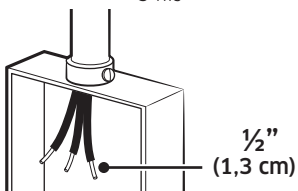
Ce four est doté d'un fil d'alimentation neutre (blanc) et d'un fil de mise à la terre branché sur le meuble (vert ou dénudé), vrillés ensemble.



A. Connecteur de conduit répertorié UL ou homologué CSA

1. Coupez l'alimentation.
2. Faites passer le conduit flexible provenant du four à travers l'ouverture dans le meuble.
3. Retirez le cache de la boîte de jonction, s'il est présent.
4. Installez un raccord de conduit répertorié UL ou homologué CSA jusqu'à la boîte de jonction.
5. Acheminez le conduit flexible du four à la boîte de jonction, à l'aide d'un connecteur de conduit répertorié UL ou homologué CSA.
6. Serrez les vis sur le connecteur de conduit.
7. Reportez-vous au « Tableau des options de raccordement électrique » afin d'effectuer l'installation pour votre type de raccordement électrique.

Tableau des options de raccordement électrique

Si votre domicile possède :	Reportez-vous à la section :
<p>4 fils</p> 	<p>Câble 4 fils au niveau de l'alimentation du domicile</p>
<p>3 fils</p> 	<p>Câble 3 fils au niveau de l'alimentation du domicile</p>

⚠ AVERTISSEMENT

Risque d'électrocution

Coupez l'alimentation avant toute opération d'entretien.

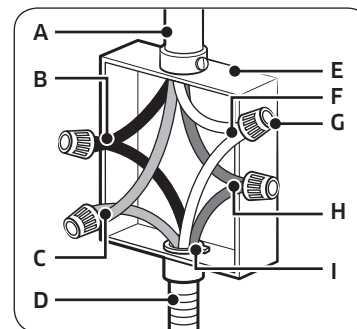
Utilisez un fil en cuivre solide de calibre 8.

Raccordez le four à la terre.

Le non-respect de ces consignes peut entraîner un incendie ou une électrocution et avoir des conséquences mortelles.

Câble 4 fils au niveau de l'alimentation du domicile

IMPORTANT : Utilisez le câble 4 fils au niveau de l'alimentation du domicile si vous vivez dans un État des États-Unis où les codes locaux n'autorisent pas la mise à la terre via un conducteur neutre dans les installations dont les circuits dérivés sont neufs (Code national électrique de 1996), les maisons mobiles, les véhicules de loisirs et les constructions neuves, ainsi qu'au Canada.



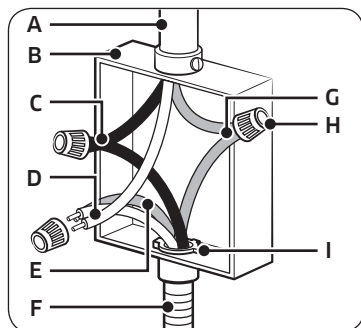
- A. Câble au niveau de l'alimentation du domicile
- B. Fils noirs (normalement L1)
- C. Fils rouges (normalement L2)
- D. Conduit flexible 4 fils provenant du four
- E. Boîte de jonction
- F. Fils blancs (normalement N, neutre)
- G. Serre-fils répertoriés UL
- H. Fils verts (normalement G, masse)
- I. Connecteur de conduit répertorié UL ou homologué CSA

1. Branchez les 2 fils noirs (B) ensemble à l'aide d'un serre-fils répertorié UL.
2. Branchez les 2 fils rouges (C) ensemble à l'aide d'un serre-fils répertorié UL.
3. Branchez les 2 fils blancs (F) ensemble à l'aide d'un serre-fils répertorié UL.
4. Reliez le fil de mise à la terre vert (ou dénudé) (H) au niveau du câble du four au fil de mise à la terre vert (ou dénudé) (dans la boîte de jonction), à l'aide d'un serre-fils répertorié UL.
5. Remettez le cache de la boîte de jonction en place.

Consignes d'installation

Câble 3 fils au niveau de l'alimentation du domicile - États-Unis uniquement

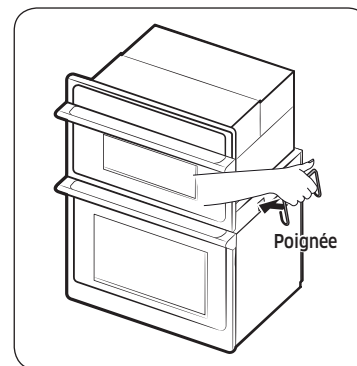
IMPORTANT: Utilisez le câble 3 fils au niveau de l'alimentation du domicile dans les États où les codes locaux autorisent un raccordement 3 fils.



1. Branchez les 2 fils noirs (C) ensemble à l'aide d'un serre-fils répertorié UL.
2. Reliez les 2 fils blancs (D) et le fil de mise à la terre vert (ou dénudé) (du câble du four), à l'aide d'un serre-fils répertorié UL.
3. Branchez les 2 fils rouges (G) ensemble à l'aide d'un serre-fils répertorié UL.
4. Remettez le cache de la boîte de jonction en place.

- A. Câble au niveau de l'alimentation du domicile
- B. Boîte de jonction
- C. Fils noirs (normalement L1)
- D. Fils blancs (normalement N, neutre)
- E. Fils verts (normalement G, masse)
- F. Conduit flexible 4 fils provenant du four
- G. Fils rouges (normalement L2)
- H. Serre-fils répertoriés UL
- I. Connecteur de conduit répertorié UL ou homologué CSA

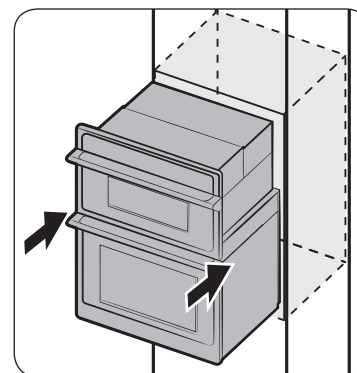
Installation du four



1. Avec l'aide de 2 personnes ou plus, soulevez partiellement le four pour le déposer dans le découpage du meuble. Utilisez la poignée comme indiqué ci-dessous.

REMARQUE

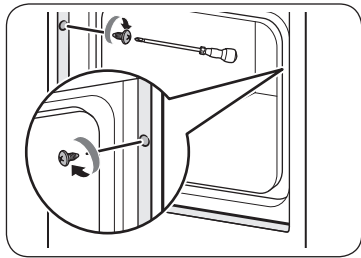
Poussez prudemment sur le cadre avant du four.



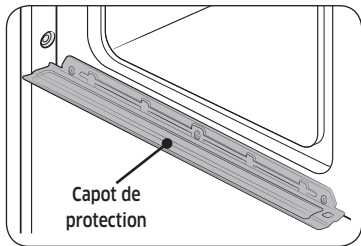
2. Poussez sur la zone à joint du cadre avant pour pousser le four à l'intérieur du meuble, jusqu'à ce que la surface arrière du cadre avant touche la paroi avant du meuble.

ATTENTION

Poussez uniquement le four inférieur. Ne poussez pas le four supérieur. (Afin d'éviter des fuites de radiofréquence.)

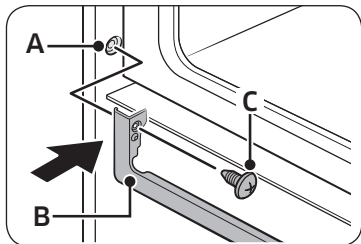


3. Poussez complètement le four à l'intérieur du meuble et centrez-le dans le découpage du meuble.
4. Retirez les adhésifs sur les garnitures avant.
 - Attachez soigneusement le four au meuble à l'aide des vis fournies.
 - Insérez les vis dans le trou percé dans la garniture, en l'alignant avec le trou dans le cadre du four inférieur. Ne serrez pas trop les vis.



⚠ AVERTISSEMENT

Lors de l'insertion du four, faites attention à ne pas déformer ou endommager le capot de protection en dessous.

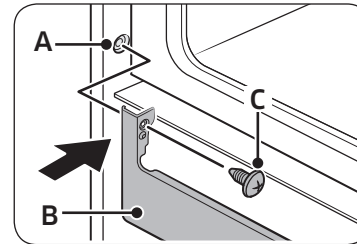


- A. Garniture gauche
- B. Garniture inférieure
- C. Vis

5. La garniture métallique inférieure est livrée dans un emballage en mousse. Pour installer la garniture métallique inférieure, reportez-vous aux instructions suivantes.
 - Alignez la languette de la garniture métallique inférieure avec un trou du côté gauche du module comme indiqué. Recommencez le mouvement du côté droit.
 - Avec une vis de chaque côté de la languette de la garniture, attachez solidement la garniture sur le four.

⚠ ATTENTION

La porte du four inférieur doit être retirée avant de serrer la garniture.



- A. Garniture gauche
- B. Garniture inférieure large
- C. Vis

6. Si la taille du découpage est supérieure de 1,5 pouce, utilisez la garniture métallique inférieure.

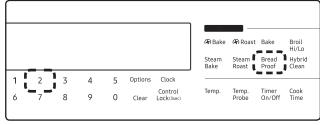

📖 REMARQUE

Le four supérieur peut être fixé à l'aide de 4 vis et le four inférieur avec 2 vis.

Auto-diagnostic

Contrôle du capteur de température et des éléments chauffants

- Après avoir raccordé l'appareil à l'alimentation, vérifiez si l'écran fonctionne correctement.
- Retirez tous les accessoires (grille coulissante, grille plate, plaque de séparation intelligente, etc.) présents à l'intérieur du four.
- Vous ne pouvez pas procéder à l'auto-diagnostic si l'intérieur du four est chaud ou si la porte est ouverte.
 - Dans ce cas, le message « Hot or door (Chaud ou porte) » s'affiche à l'écran.
- Pour démarrer l'auto-diagnostic, appuyez simultanément sur les deux touches cachées pendant 5 secondes.
 - Reportez-vous au tableau ci-dessous pour connaître les touches cachées sur chaque modèle.
 - L'auto-diagnostic dure environ 4 à 5 minutes.

Modèle	NQ70M6650**	NQ70M7770**
Panneau de commande		
Touche cachée	Bread Proof (Pain précuit) + « 2 »	MICROWAVE (MICRO-ONDES) + LOWER OVEN (FOUR INFÉRIEUR)

- S'il n'y a aucune erreur, le message « PASS (RÉUSSI) » s'affiche à l'écran avec un signal d'alerte.
- S'il y a une erreur, le message suivant s'affiche à l'écran avec un signal d'alerte.

Modèle		NQ70M6650**	
		Code d'erreur	Remarque
Fonction	Gril inférieur	H-4	Four inférieur uniquement
	Zone inférieure de cuisson	H-3	

Modèle		NQ70M7770*	
		Code d'erreur	Remarque
Fonction	Gril inférieur	H-4	Four inférieur uniquement
	Zone inférieure de cuisson	H-3	

- Si une erreur survient, prenez contact avec un centre de dépannage Samsung pour obtenir une assistance.

REMARQUE

Si vous voyez s'afficher tout autre message d'erreur non répertorié ci-dessus, veuillez prendre contact avec un centre de dépannage Samsung. Par exemple, appelez le 1-800-SAMSUNG (726-7864).

Dépannage

Codes d'information

Four

Code affiché	Cause possible	Solution
C-d0	Ce code apparaît si la touche Contrôle est court-circuitée pendant 1 minute.	Nettoyez les boutons et assurez-vous qu'il n'y a pas d'eau autour d'eux. Éteignez le four et réessayez. Si le problème persiste, prenez contact avec un centre de dépannage Samsung local.
C-d1	Ce code apparaît si le verrouillage de la porte est mal positionné.	Appuyez sur OVEN OFF (ARRÊT DU FOUR) et redémarrez le four. Si le problème persiste, coupez toute l'alimentation du four pendant au moins 30 secondes puis rétablissez-la. Si le problème n'est pas résolu, contactez le service technique.
C-F0	Ce code apparaît si la communication entre la carte de circuit imprimé principale et la carte de circuit imprimé secondaire est interrompue.	
C-F2	Ce code apparaît si la communication entre la carte de circuit imprimé principale et la carte de circuit imprimé des commandes tactiles est interrompue.	
C-20	Le capteur du four est ouvert lorsque le four est utilisé. Le capteur du four est court-circuité lorsque le four est utilisé.	
C-21	Ce code apparaît si la température interne augmente à un niveau anormalement élevé.	Appuyez sur OVEN OFF (ARRÊT DU FOUR) et redémarrez le four. Si le problème persiste, coupez toute l'alimentation du four pendant au moins 30 secondes puis rétablissez-la. Si le problème n'est pas résolu, contactez le service technique.
C-23	Le capteur de la sonde thermique est court-circuité lorsque le four est utilisé.	
C-30	Le capteur de la carte de circuit imprimé est ouvert lorsque le four est utilisé. Le capteur de la carte de circuit imprimé est court-circuité lorsque le four est utilisé.	

Code affiché	Cause possible	Solution
C-31	Ce code apparaît si la température de la carte de circuit imprimé augmente à un niveau anormalement élevé.	Contactez le service technique.
C-70	Le capteur de vapeur est en circuit ouvert lorsque le four est en cours de fonctionnement	Appuyez sur OVEN OFF (ARRÊT DU FOUR) et redémarrez le four. Si le problème persiste, coupez toute l'alimentation du four pendant au moins 30 secondes puis rétablissez-la. Si le problème n'est pas résolu, contactez le service technique.
	Le capteur de vapeur est court-circuité lorsque le four est en cours de fonctionnement	
C-72	Des problèmes relatifs au système de vidange sont détectés.	
C-A2	Le moteur de refroidissement fonctionne anormalement.	Contactez le service technique.
-dC- (NQ70M7770DG uniquement)	Ce code apparaît si la grille de séparation est insérée ou retirée alors que le four est en cours de fonctionnement.	Assurez-vous que la grille de séparation est insérée correctement, puis redémarrez le four. Si le problème persiste, coupez toute l'alimentation du four pendant au moins 30 secondes puis rétablissez-la. Si le problème n'est pas résolu, contactez le service technique.



Scannez le code QR* ou rendez-vous sur le site www.samsung.com/spsn pour voir nos vidéos et démonstrations en direct d'utilisation.

*Requiert l'installation d'un lecteur sur votre smartphone

Scannez ceci avec votre smartphone

Veillez noter que la garantie Samsung n'inclut pas les déplacements du service après-vente pour expliquer le fonctionnement de l'appareil, corriger une installation non correcte ou exécuter des travaux de nettoyage ou d'entretien réguliers.

UNE QUESTION ? UN COMMENTAIRE ?

PAYS	N° DE TÉLÉPHONE	SITE INTERNET
U.S.A Consumer Electronics	1-800-SAMSUNG (726-7864)	www.samsung.com/us/support
CANADA	1-800-SAMSUNG(726-7864)	www.samsung.com/ca/support (English) www.samsung.com/ca_fr/support (French)



DE68-04454A-00