

NV51K6650SS

5.1 cu. ft. Single Wall Oven



Stainless Steel



Steam Cook



True Dual Convection

Features

- Electronic Touch Display
- WiFi Connectivity
- WiFi-Enabled Temperature Probe
- Signature LED Lights
- Large Oven Window
- 3 Heavy Duty Racks including a Gliding Rack
- Broil Element
- Smart Control Key
- 6 Rack Positions
- Drop-Down Door Design
- Full Touch Control Method

Convenience

- Rapid Preheat
- Sabbath Mode
- Hybrid and Self Clean
- Hidden Bake Element
- Delay Start
- Convection Conversion
- Child Safety Lock
- Proofing
- Warming Mode
- Kitchen Timer

Signature Features

Steam Cook

- Delivers moisture at precise times for a crisp and brown outside and tender inside.

True Dual Convection

- Two fans circulate air for faster, more even and efficient cooking.

5.1 cu. ft. Capacity

- Accommodates a roast, multiple casserole dishes or several racks of cookies.

SAMSUNG

NV51K6650SS

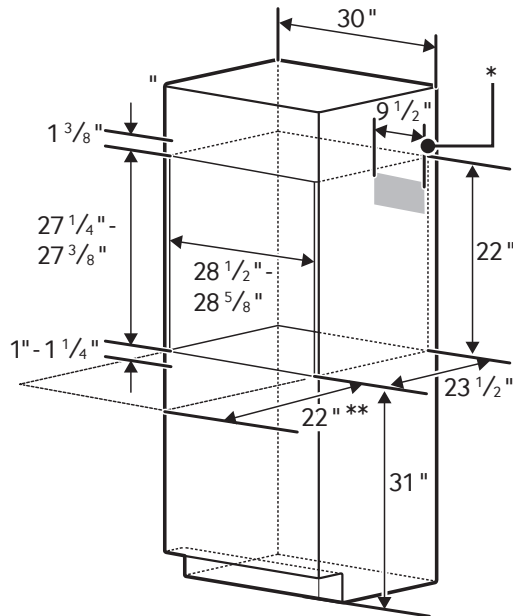
5.1 cu. ft. Single Wall Oven

Cabinet Dimensions

Single Oven Installed in Cabinet

*Junction Box

** Allow a minimum of 22" for clearance to adjacent corners, drawers, walls, etc. when door is open.



Convection Wall Oven

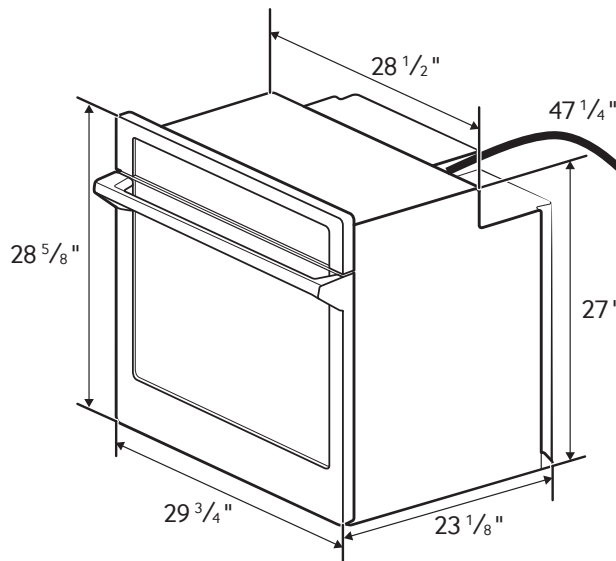
- Hidden Bake Element
- Bake: 175°F–550°F
- Convection Bake: 175°F–550°F
- Convection Roast: 175°F–550°F
- Broil: Low-High
- Steam Bake: 230°F–550°F
- Steam Roast: 230°F–550°F
- Bread Proofing
- Sabbath Mode

Warranty

One (1) Year All Parts and Labour

Product Dimensions

Refer to installation manual for more details.



COLOUR	MODEL #	UPC CODE
Stainless Steel	NV51K6650SS	887276184029

MODEL #	240 VAC	208 VAC
	kW	kW
NV51K6650SS	4.9	3.7

PLEASE VISIT SAMSUNG.COM FOR OUR LATEST UPDATES.

Actual colour may vary. Design, specifications, and colour availability are subject to change without notice. Non-metric weights and measurements are approximate.

© 2016 Samsung Electronics Canada Inc. All rights reserved. Samsung is a registered trademark of Samsung Electronics Co., Ltd., used with permission.

SAMSUNG