

# NV51T5512SS

SAMSUNG

## 30" Flush Mount Single Wall Oven



### Signature Features

#### 5.1 cu. ft. Capacity

- Accommodates a roast, multiple casserole dishes, or two full racks of cookies.

#### Digital Touch Controls with Wi-Fi<sup>1</sup>

- Touch Controls offer an integrated and premium design that is easy to clean.

#### Blue Ceramic Interior

- Blue Ceramic enamel interior offers a premium look and feel.

### Available Colours



Stainless Steel



Digital Touch Controls



Blue Ceramic Interior

### Features

- 5.1 cu. ft. Capacity
- Wi-Fi Connectivity
- Glass Touch Controls
- Steam Clean & Self-Clean
- Halogen Lights
- Easy View Window
- 2 Heavy-Duty Racks
- Broil Element
- 6 Rack Positions
- Drop-Down Door Design
- ADA Compliant

### Convenience

- Sabbath Mode
- Hidden Heating Element
- Delay Start
- Child Safety Lock
- Proofing
- Warming Mode
- Kitchen Timer

<sup>1</sup>The Samsung SmartThings application is required and is available on Android and iOS devices. A Wi-Fi connection and a Samsung account are required.

# NV51T5512SS

SAMSUNG

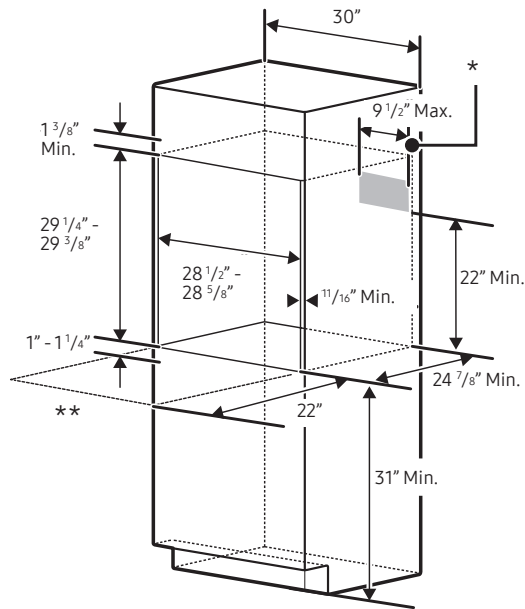
## 30" Flush Mount Single Wall Oven

### Cabinet Dimensions

Single Oven Flush Installed in Cabinet

\* Junction Box

\*\* Allow a minimum of 22" for clearance to adjacent corners, drawers, walls, etc., when door is open.



### Total Capacity: 5.1 cu. ft.

- Hidden Bake Element
- Bake: 175°F-550°F
- Broil: Low-High
- Proofing
- Sabbath Mode

### Warranty

One (1) Year All Parts and Labour

### Product Dimensions & Weight (WxHxD)

Outside (Max) Wall Oven Dimensions:

29 3/4" x 28 13/16" x 26 3/5"

Wall Oven Cut-Out Dimensions: 28 1/2" x 27 1/4" x 23 1/2"

Weight: 129.6 lbs (58.8 Kg)

### Shipping Dimensions & Weight (WxHxD)

Dimensions: 33 11/16" x 33 7/10" x 29 4/5"

Weight: 151.9 lbs (68.9 Kg)

### Colour

Stainless Steel

### Model #

NV51T5512SS

### UPC Code

887276384993

### Product Dimensions

