

# WA52DG5500AWUS

SAMSUNG

6.0 cu. ft. Large Capacity Smart Top Load Washer with Super Speed Wash



## Available Colours:



White  
WA52DG5500AWUS

## Features

- Large 6.0 cu. ft. Capacity
- Super Speed Wash
- Wi-Fi Connectivity with SmartThings\*
- Smart Control (Wifi)
- Active WaterJet
- SuperSpeed (Cycle)
- EZ Drawer Dispenser
- Interior Drum Swirl+
- Self clean
- 56 min Cycle Time (Normal 8lb)
- 28 min Cycle Time (SuperSpeed)
- VRT PLUS™
- DDM Motor
- ENERGY STAR® Certified
- Smart Care\*\*\*
- 750 RPM Maximum Spin Speed
- Digital Inverter Motor
- 12 Total Washing Cycles
- 10 Washing Options

## Convenience

- Child Lock
- 3 Dispenser Trays:  
Main Wash, Softener, BleachDispenser

## Ratings



ENERGY STAR® Rated:  
IMEF = 2.06  
IWF = 4.3  
120 kWh/yr

## Specifications

### 12 Preset Washing Cycles:

Normal, Bedding/Waterproof, Heavy Duty, Colors / Dark - ('Darks' from '19 models), Brilliant Whites - ('Whites' from '19 models), Activewear, Delicates(/Hand Wash), Quick Wash, Self Clean, Rinse + Spin, Deep Wash, Downloaded

### 5 Downloadable Washing Cycles:

Permanent Press, Wool, Eco Cold, Denim, Power Rinse

### 10 Washing Options:

Delay End, Presoak, Sound On/off (Long Key) - ('Alarm Off' from '19 models), Child Lock (Dual Key), Fabric Softener, Deep Fill, Super Speed, Smart Care, Smart Control, Spin Only

### 5 Temperature Settings:

Extra Hot, Hot, Warm, Cool, Cold ( o Cold)

### 5 Soil Settings:

Extra Heavy, Heavy, Normal, Light, Extra Light

### 5 Spin Settings:

Extra High, High, Medium, Low, No Spin

## Warranty

One (1) Year Parts and Labour  
Ten (10) Years Washing DIT (Digital Inverter Motor) Motor Part (Part Only)

## Product Dimensions & Weight (WxHxD)

Dimensions: 27 1/2" x 44 19/32" x 29 13/32"

Weight: 130.1 lbs

## Shipping Dimensions & Weight (WxHxD)

Dimensions: 30 3/32" x 47 19/32" x 31 13/64"

Weight: 138.9 lbs

## 5 Rinse settings:

5 times, 4 times, 3 times, 2 times, 1 time

## 3 Trays:

Main, Softener, Bleach

Washer	Model #	UPC Code
White	WA52DG5500AWUS	887276818283
Matching Electric Dryer		
White	DVE52DG5505WAC	887276904313

## Electrical Requirements

- 120V / 60Hz

\* Available on Android and iOS devices. A Wi-Fi connection and a Samsung account are required.

\*\*\* Requires Samsung Smart Washer/Dryer App. The Samsung Smart Washer/Dryer App supports Android OS 2.3.6 or later and iOS 3 or later for iPhone models. Samsung Smart Washer/Dryer App available in App Store and Play Store.

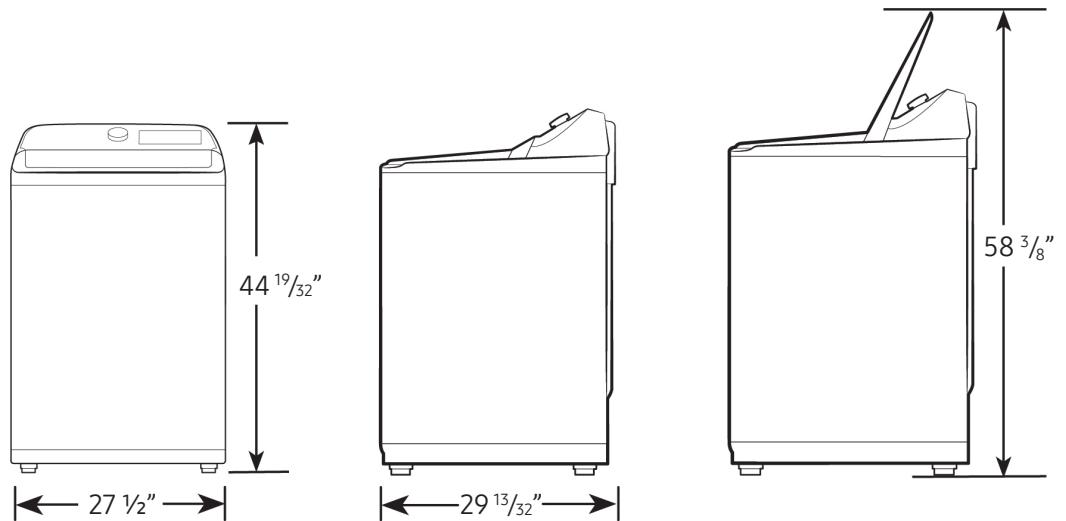
# WA52DG5500AWUS

# SAMSUNG

## 6.0 cu. ft. Large Capacity Smart Top Load Washer with Super Speed Wash

### Dimensions

Required dimensions for installation:

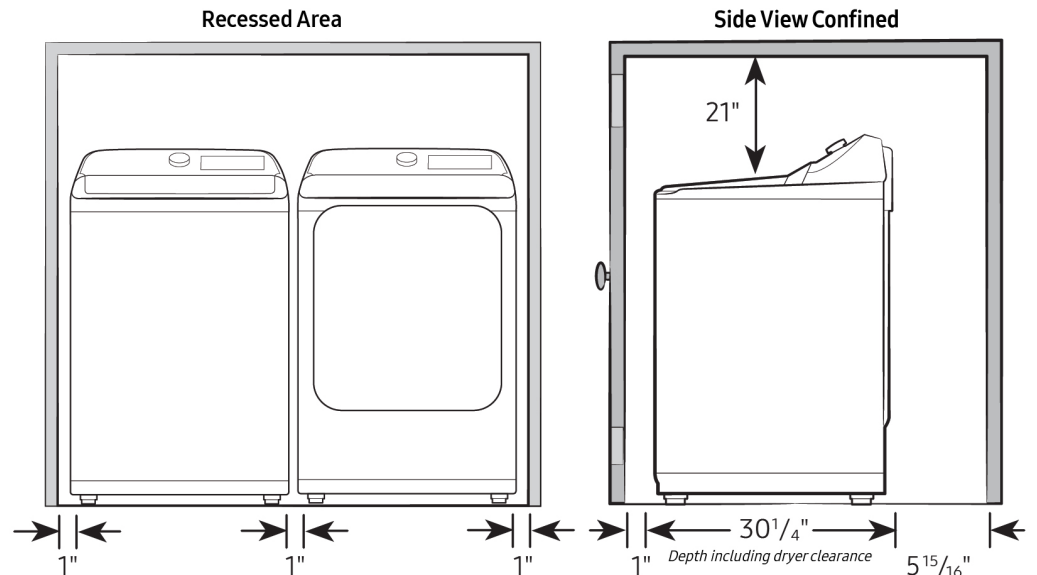


### Installation Specifications – Side-by-Side

If the washer and dryer are installed together or the dryer alone, the closet front must have two unobstructed air openings for a combined minimum total area of 72-inch<sup>2</sup>. Your washer alone does not require a specific air opening.

#### Alcove or closet installation

Minimum clearance for closet and alcove installations:

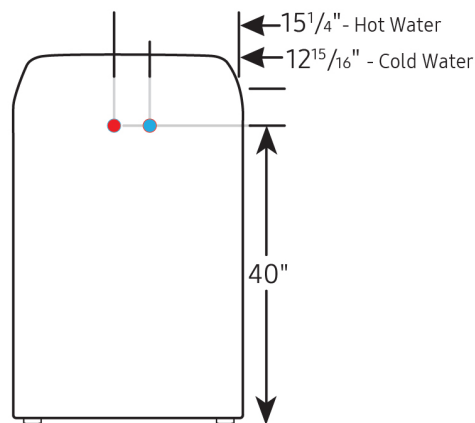


### Connection Dimensions

Back view of washer

#### LEGEND:

- Hot Water Connection
- Cold Water Connection



Actual color may vary. Design, specifications, and color availability are subject to change without notice. Non-metric weights and measurements are approximate.

© 2025 Samsung Electronics Canada Inc. All rights reserved. Samsung is a registered trademark of Samsung Electronics Co., Ltd., used with permission.