

# WH46DBH100EW

SAMSUNG

Bespoke AI Laundry Hub™ 5.3 cu. ft. Large Capacity Single Unit Washer with Steam Wash and 7.6 cu. ft. Electric Dryer in White



## Signature Features

### Wi-Fi Connectivity with SmartThings<sup>1</sup>

Wi-Fi connected so you can remotely start or stop your cycle, schedule laundry on your time, receive end of cycle alerts, and more right from your smartphone.<sup>2</sup>

<sup>1</sup> Samsung Smart Washer/Dryer app is available at the App Store. Please check app for compatibility with your smartphone before downloading.

### Sensor Dry

Automatically optimizes the time and temperature of your drying cycle to protect your clothes from heat damage, while avoiding excess energy use.

### Steam Washing

Powerful steam helps to remove stains, reducing the need for pre-treatment.

### ENERGY STAR® Certified

Proven to save energy without sacrificing performance or functionality.

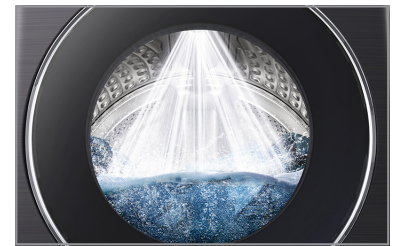
## Available Colour



White



SmartThings Enabled



Super Speed Wash

## Features

### Washer

- Laundry Hub™ with Easy Reach Control Panel
- 5.3 cu. ft. Large Capacity
- Wi-Fi Connectivity with SmartThings\*
- Steam Wash
- Energy Star® Certified
- AI Smart Dial
- Self Clean+
- 1200 RPM Maximum Spin Speed
- DIT Motor

### Dryer

- Vent Sensor
- Sensor Dry
- Drum Light
- Lint Filter Alert
- Wi-Fi Connectivity with SmartThings\*
- 3-Way Venting (Back, Left, Right)
- Energy Star® Certified

## Convenience

- Child Lock
- Filter Check Indicator
- Dispenser Trays: Main Wash, Bleach, Softener



ENERGY STAR® rated:  
Washer:  
94 kWh/yr  
Dryer:  
608 kWh/yr

(1) Available on Android and iOS devices. A Wi-Fi connection and a Samsung account are required.

(2) A Wi-Fi connection is required.

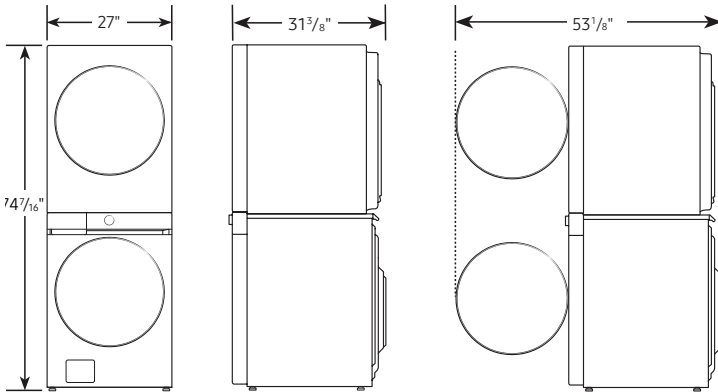
(3) Bixby is Samsung's brand of artificial intelligence (AI) / Internet of Things (IoT) voice assistant. A Samsung account is required.

# WH46DBH100EW

**SAMSUNG**

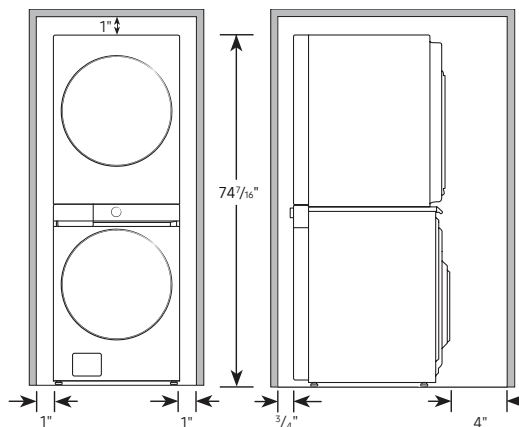
## Bespoke AI Laundry Hub™ 5.3 cu. ft. Large Capacity Single Unit Washer with Steam Wash and 7.6 cu. ft. Electric Dryer in White

### Dimensions



### Alcove or Closet Installation

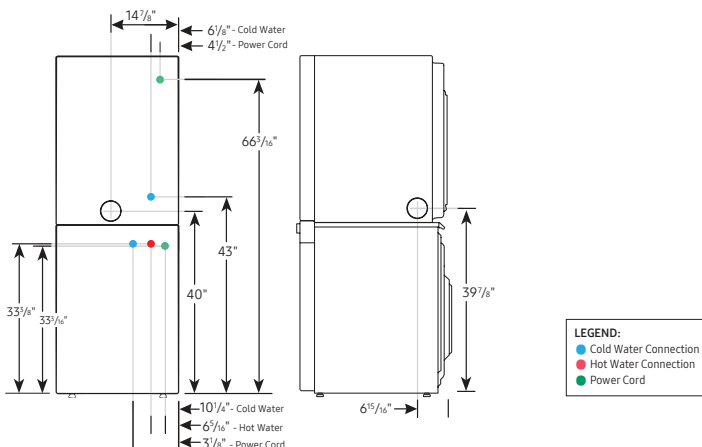
The front of the alcove or closet must have two unobstructed air openings for a combined minimum total area of 72 in.



### Connection Dimensions\*

Back and side views

\*Measurements are approximations for frame only.



### Washer Cycles/Settings

#### 23 Total Washing Cycles:

Normal, Heavy Duty, Bedding, Perm Press, Delicates, Activewear, Wool, Towels, Eco Cold, Rinse + Spin, Self Clean+, Small Load, Colours, Spin Only, Outdoor, Denim, Steam Sanitize, Steam Allergen, Steam Normal, Power Steam, Steam Whites, Steam Bulky, Power Rinse

#### 15 Wash Options:

Presoak, Extra Rinse, My Cycles, Delay End, Smart Control, Super Speed, Drum Light, Child Lock, AI Pattern, Self Diagnosis, Volume, Calibration, Wi-Fi, Language, Factory Reset

#### 5 Temperature Levels:

Extra Hot, Hot, Warm, Cool, Tap Cold

#### 5 Spin Levels:

Extra High, High, Medium, Low, Extra Low

#### 5 Soil Levels:

Extra Heavy, Heavy, Normal, Light, Extra Light

### Dryer Cycles/Settings

#### 16 Preset Drying Cycles:

Eco Normal, Normal, Heavy Duty, Towels, Perm Press, Activewear, Bedding, Delicates, Wool, Sanitize, Shirts, Denim, Time Dry, Air Fluff, Small Load, Rack Dry

#### 13 Options:

Damp Alert, Wrinkle Prevent, My Cycles, Smart Control, Eco Dry, Drum Light, Child Lock, Volume, AI Pattern, Wi-Fi, Language, Vent Blockage Test, Factory Reset

#### 5 Temperature Settings:

High, Medium, Medium Low, Low, Extra Low

#### 5 Drying Levels:

Very Dry, More Dry, Normal Dry, Less Dry, Damp Dry

### Warranty

Washer: One (1) Year Parts and Labour

Ten (10) Years; Washing DIT (Digital Inverter Motor) Motor Part (Part Only)

Dryer: One (1) Year Parts and Labour

### Product Dimensions & Weight (WxHxD)

Dimensions: 27" x 74 7/16" x 31 3/8"

Net Weight: 319.7 lb (145 kg)

### Shipping Dimensions & Weight (WxHxD)

Dimensions: 29 3/8" x 81 15/16" x 34 1/8"

Shipping Weight: 330.7 lb (150 kg)

### Washer/Dryer

White with Electric Dryer

### Model #

WH46DBH100EW

### UPC

887276814506

Optional Vent Kit

DV-2A

887276146416

| Ratings     |            | Electrical Requirements |               |
|-------------|------------|-------------------------|---------------|
| Washer      | Dryer      | Washer                  | Dryer         |
| CEE Tier 3  | 608 kWh/yr | 120 V / 60 Hz           | 240 V / 60 Hz |
| IMEF = 3.10 |            |                         | 15 Amps       |
| IWF = 2.9   |            | 95 kWh/yr               |               |