

WH46DBH550EV

SAMSUNG

Bespoke AI Laundry Hub™ 5.3 cu. ft. Large Capacity Single Unit Washer with Flex Auto Dispense System and 7.6 cu. ft. Electric Dryer in Brushed Black Stainless Steel



Signature Features

Wi-Fi Connectivity with SmartThings

Wi-Fi connected so you can remotely start or stop your cycle, schedule laundry on your time, receive end of cycle alerts, and more right from your smartphone.¹

¹ Samsung Smart Washer/Dryer app is available at the App Store. Please check app for compatibility with your smartphone before downloading.

Steam Sanitize+

The Steam Sanitize+ cycle removes 99.9% of germs and bacteria, over 95% of pollen, and kills 100% of dust mites. Multi-Steam Technology steams away wrinkles, odours, and static.

Sensor Dry

Automatically optimizes the time and temperature of your drying cycle to protect your clothes from heat damage, while avoiding excess energy use.

SuperSpeed

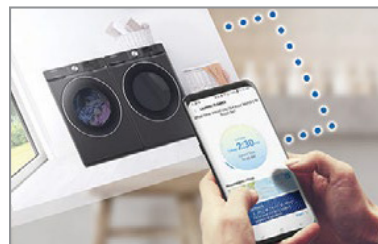
Uses advanced cleaning technologies to wash a full load of laundry in just 28 minutes, without sacrificing cleaning performance.²

² Based on using SuperSpeed on a normal cycle with an 8lb load.

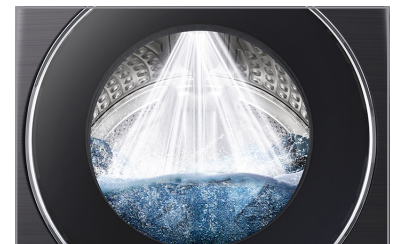
Available Colour



Brushed Black Stainless Steel



SmartThings Enabled



Super Speed Wash

Features

Washer

- Laundry Hub™ with Easy Reach Control Panel
- AI OptiWash™
- Flex Auto Dispense System
- Super Speed Wash
- 5.3 cu. ft. Large Capacity
- Wi-Fi Connectivity with SmartThings*
- Steam Wash
- 20-Year Motor Warranty**
- Energy Star® Certified
- AI Smart Dial
- Self Clean+
- 1200 RPM Maximum Spin Speed
- DIT Motor

Dryer

- AI Optimal Dry
- Super Speed Dry
- Steam Sanitize+ Dry
- Sensor Dry
- Drum Light
- Lint Filter Alert
- Wi-Fi Connectivity with SmartThings*
- 3-Way Venting (Back, Left, Right)
- Energy Star® Certified

Convenience

- Child Lock
- Filter Check Indicator
- Dispenser Trays: Main Wash, Bleach, Auto Detergent, Auto Softener



ENERGY STAR® rated:
Washer:
94 kWh/yr
Dryer:
608 kWh/yr

* Available on Android and iOS devices. A Wi-Fi connection and a Samsung account are required.

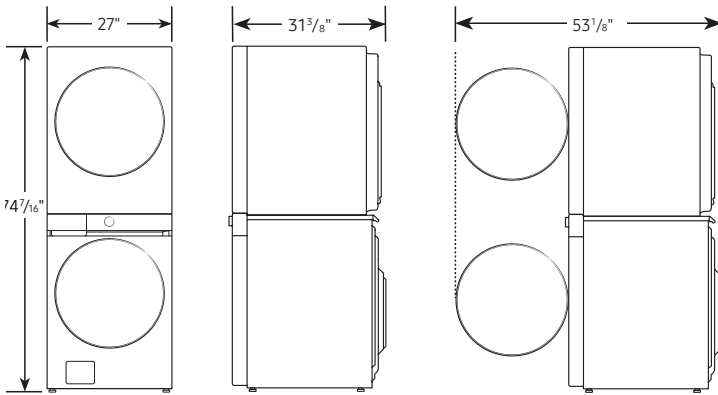
** 20-year warranty limited to the Digital Inverter Motor purchased on 7/1/2022 or later. Purchase receipt indicating purchase date required for a claim. Additional restrictions and limitations apply, see warranty for details.

WH46DBH550EV

SAMSUNG

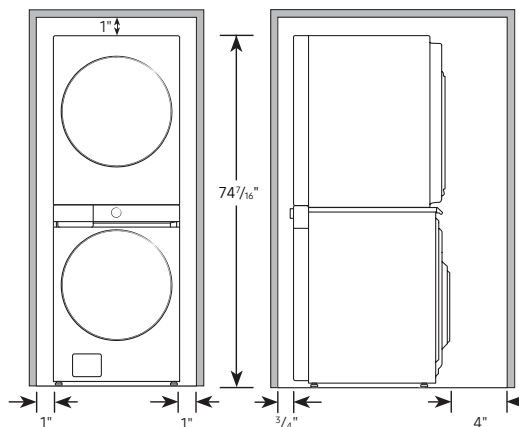
Bespoke AI Laundry Hub™ 5.3 cu. ft. Large Capacity Single Unit Washer with Flex Auto Dispense System and 7.6 cu. ft. Electric Dryer in Brushed Black Stainless Steel

Dimensions



Alcove or Closet Installation

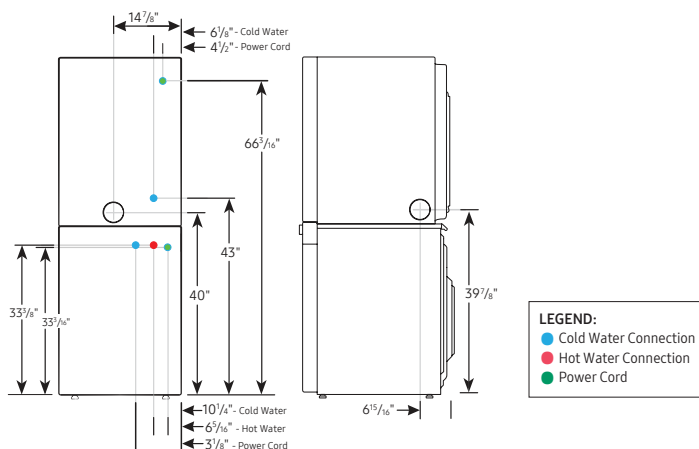
The front of the alcove or closet must have two unobstructed air openings for a combined minimum total area of 72 in.



Connection Dimensions*

Back and side views

*Measurements are approximations for frame only.



Washer Cycles/Settings

24 Total Washing Cycles:

Normal, AI OptiWash, Heavy Duty, Bedding, Perm Press, Delicates, Activewear, Wool, Towels, Eco Cold, Rinse + Spin, Self Clean+, Small Load, Colours, Spin Only, Denim, Super Speed, Steam Sanitize, Steam Allergen, Steam Normal, Power Steam, Steam Whites, Steam Bulky, Power Rinse

18 Wash Options:

Pre-Soak, Extra Rinse, My Cycles, Delay End, Smart Control, Super Speed, Drum Light, Child Lock, Dispenser 1, Dispenser 2, Pump Clean, AI Pattern, Calibration, Self Diagnosis, Volume, Language, Wi-Fi, Factory Reset

5 Temperature Levels:

Extra Hot, Hot, Warm, Cool, Tap Cold

5 Spin Levels:

Extra High, High, Medium, Low, Extra Low

5 Soil Levels:

Extra Heavy, Heavy, Normal, Light, Extra Light

Dryer Cycles/Settings

20 Preset Drying Cycles:

AI Optimal Dry, Super Speed, Eco Normal, Normal, Heavy Duty, Towels, Perm Press, Activewear, Bedding, Delicates, Wool, Sanitize, Shirts, Denim, Time Dry, Air Fluff, Small Load, Rack Dry, Steam Refresh, Wrinkle Away

14 Options:

Damp Alert, Wrinkle Prevent, My Cycles, Smart Control, Eco Dry, Drum Light, Child Lock, Volume, AI Pattern, Wi-Fi, Language, Vent Blockage Test, Factory Reset, AntiStatic

5 Temperature Settings:

High, Medium, Medium Low, Low, Extra Low

5 Drying Levels:

Very Dry, More Dry, Normal Dry, Less Dry, Damp Dry

Warranty

Washer: One (1) Year Parts and Labour
Twenty (20) Years; Washing DIT (Digital Inverter Motor) Motor Part (Part Only)

Dryer: One (1) Year Parts and Labour

Product Dimensions & Weight (WxHxD)

Dimensions: 27" x 74 7/16" x 31 3/8"

Net Weight: 319.7 lb (145 kg)

Shipping Dimensions & Weight (WxHxD)

Dimensions: 29 3/8" x 81 5/16" x 34 1/8"

Shipping Weight: 330.7 lb (150 kg)

Washer/Dryer	Model #	UPC
Brushed Black Stainless		
Steel with Electric Dryer	WH46DBH500EV	887276814551
Optional Vent Kit	DV-2A	887276146416

Ratings		Electrical Requirements	
Washer	Dryer	Washer	Dryer
CEE Tier 3	608 kWh/yr	120 V / 60 Hz	240 V / 60 Hz
IMEF = 3.10		15 Amps	30 Amps
IWF = 2.9			
95 kWh/yr			