

# WW25B6800AW/AC

SAMSUNG

2.9 cu. ft., 24" Front-Load Washer



## Signature Features

### Steam Washing

Powerful steam helps to remove stains, reducing the need for pre-treatment.

### SuperSpeed®

Over 30% faster wash cycle.\*

Wash a full load in only 40 minutes.

Laundry gets done quicker without loss of performance.

### VRT™ – Vibration Reduction Technology

Virtually silent washing.

So quiet, you'll hardly know your washer is on.

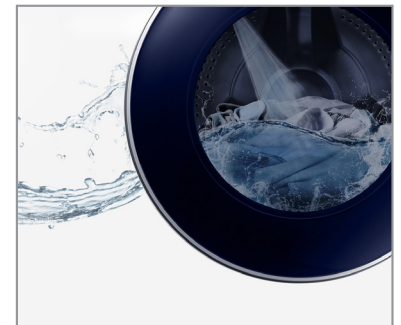
## Available Colour



White



Steam Wash



SuperSpeed®

## Features

- Steam Wash
- SuperSpeed®
- VRT™ – Vibration Reduction Technology
- Smart Care
- Self Clean+
- Swirl+ Drum
- Digital Inverter Motor
- 1400 RPM Maximum Spin Speed
- Internal Water Heater
- 12 Preset Wash Cycles
- 8 Options

## Convenience

- Child Lock
- Door Lock
- Dispenser Trays: Main Wash, Softener, Bleach

## Rating



- ENERGY STAR® - Rated
- IWF = 2.25
- IWF = 3.70
- Energy Consumption (annual) = 90 kWh/yr

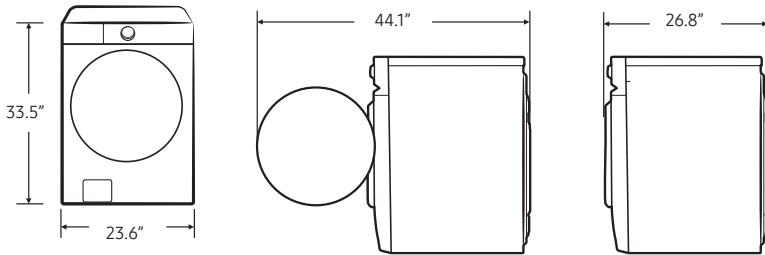
\*Normal one-hour wash can now be completed in as little as up to 40 minutes on the WW22K6800.

# WW25B6800AW/AC

**SAMSUNG**

## 2.9 cu. ft., 24" Front-Load Washer

### Dimensions

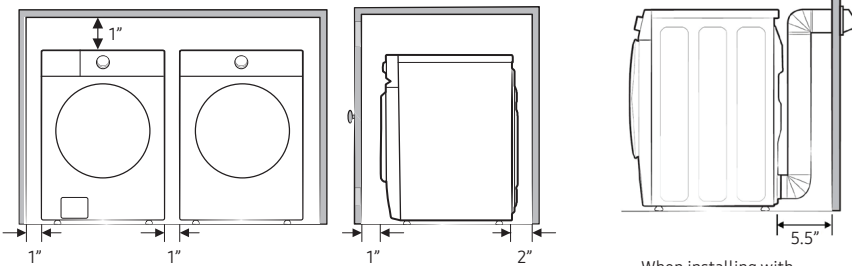


### Installation Specifications

If the washer and dryer are installed together or the dryer alone, the closet front must have two unobstructed air openings for a combined minimum total area of 72 in<sup>2</sup> (see stacked build below). Your washer alone does not require a specific air opening.

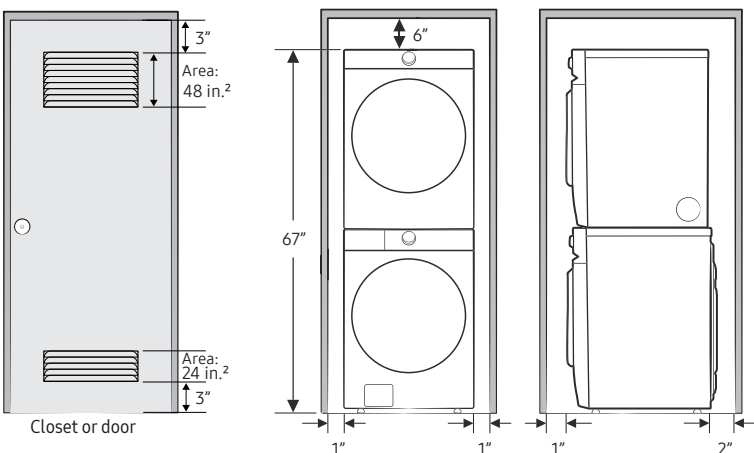
#### 1. Alcove or closet installation

MINIMUM CLEARANCES FOR CLOSET AND ALCOVE INSTALLATIONS:



When installing with matching dryer, if the exhaust duct is installed at the rear of the dryer, the rear must have at least 5.5 inch clearance.

#### 2. With stacked washer and dryer



### 2.6 cu. ft. Capacity IEC

#### 12 Preset Dry Cycles:

Normal, Heavy Duty, Permanent Press, Sanitize, Allergen, Self Clean, Deep Steam, Active Wear, Delicates, Wool, Quick Wash, Rinse and Spin

#### 8 Options:

SuperSpeed, Delay End, My Cycle, Extra Rinse, Spin Only, Sound, Child Lock, Smart Care

#### 5 Temperature Settings:

Extra Hot, Hot, Warm, Cold, Tap Cold

#### 5 Spin Settings:

Extra High, High, Medium, Low, No Spin

#### 5 Soil Settings:

Heavy, Heavy Medium, Normal, Low Medium, Light

#### Dispenser Trays:

Main Wash, Softener, Bleach (Manual)

#### Warranty

1 Year Parts and Labour

10 Year on Digital Inverter Motor (Parts)

#### Stacking Kit

Included with the compact dryer SK-DH UPC Code: 887276151052

Electrical Requirement	120 V/60 Hz
Max Wattage	1150 W
Stacking Kit	Included in dryer package
Drain Hose Length	61"
Power Cord Length	59"

#### Product Dimensions & Weight (WxHxD)

Dimensions: 23 6/10" x 33 1/2" x 26 5/8"

Weight: 164 lbs (74 kg)

#### Shipping Dimensions & Weight (WxHxD)

Dimensions: 26 1/4" x 35" x 27 1/2"

Weight: 168 lbs (76 kg)

<b>Electric Washer</b> Colour: White	<b>Model #</b> WW25B6800AW/AC	<b>UPC Code</b> 887276650302
<b>Vented Dryer</b> Colour: White	<b>Model #</b> DV25B6800EW/AC	<b>UPC Code</b> 887276665160
<b>Heat Pump Dryer</b> Colour: White	<b>Model #</b> DV25B6800HW/AC	<b>UPC Code</b> 887276665177