

Sharp Microwave Drawer™ Oven: SMD2443JSC INSTALLATION MANUAL

SPECIAL WARNING

Installation and service must be performed by a qualified installer.

IMPORTANT: Save this installation manual for local electrical inspector's use and future reference.

CLEARANCES AND DIMENSIONS

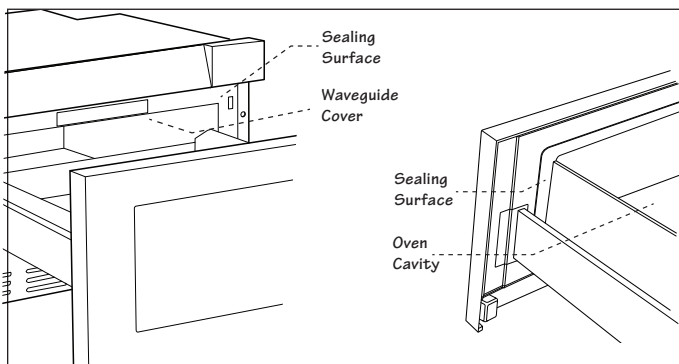
Do not install this appliance in any combustible cabinetry, which is not in accord with the stated clearances and dimensions on pages 2–5. See Figures 1–7.

SAFELY LIFT AND MOVE UNIT

Two people are required to safely lift and move this unit.

UNPACKING THE APPLIANCE

- Remove all packing materials from inside the Sharp Microwave Drawer™ Oven. **DO NOT REMOVE THE WAVEGUIDE COVER**, which is located on the top of the Sharp Microwave Drawer™ Oven.



- Remove the protective film from the touch control area. Additionally, remove the feature sticker, if there is one. Check the drawer for any damage, such as misaligned or bent drawer, damaged drawer seals and sealing surfaces, broken or loose drawer guides and dents inside the cavity or on the front side of the drawer. If there is any damage, do not operate the Sharp Microwave Drawer™ Oven and contact your dealer or a Sharp authorized servicer.

IMPORTANT NOTES TO THE INSTALLER

- Read the entire Installation Manual before installing the Sharp Microwave Drawer™ Oven.
- Remove all packing material before connecting the electrical supply. Manually pull open the drawer to ensure all packing material is removed prior to connection and installation.
- Observe all governing codes and ordinances.
- Leave these instructions with the consumer.

IMPORTANT NOTES TO THE CONSUMER

Keep this manual with your Operation Manual for future reference.

- Read and follow the safety precautions listed in the operation manual.
- Ensure your Sharp Microwave Drawer™ Oven is installed and grounded properly by a qualified installer or service technician.

IMPORTANT SAFETY INSTRUCTIONS

⚠ WARNING If the information in this manual is not followed exactly, a fire or electrical shock may result that could cause property damage, personal injury or death.

⚠ WARNING To reduce the risk of tipping, the Sharp Microwave Drawer™ Oven must be secured by a properly installed Anti-Tip block.

- This appliance must be electrically grounded in accordance with local codes.
- Ensure the wall coverings and the cabinets around the appliance can withstand the heat generated by the Sharp Microwave Drawer™ Oven.

⚠ WARNING Never leave children alone or unattended in the area where the Sharp Microwave Drawer™ Oven is in use. Never leave the drawer open when the appliance is unattended.

⚠ WARNING Stepping, leaning or sitting on the drawer may result in serious injuries and can also cause damage to the Sharp Microwave Drawer™ Oven.

- Do not use the Sharp Microwave Drawer™ Oven as a storage space, as this creates a potentially hazardous situation.
- Check that the time-of-day is in the display. If not, touch **STOP/CLEAR** for safety reasons and to prevent unintended use.

CLEARANCES AND DIMENSIONS

- Dimensions shown in Figure 1 must be used. Given dimensions provide minimum clearance. Locate electrical outlet in the shaded area in the upper left-hand corner of the cutout. See Figure 9.
- Contact surface must be solid and level. Pay special attention to the floor on which the Sharp Microwave Drawer™ Oven will sit. The floor of the opening should be constructed of plywood strong enough to support the weight of the oven (about 100 pounds).
- Check location where the Sharp Microwave Drawer™ Oven will be installed for proper electrical supply.
- If installing below a wall oven, ensure the clearance of the floor between the wall oven and the Sharp Microwave Drawer™ Oven is a minimum of 2".
- The oven can also be mounted flush. See page 4 for flush mounting instructions.

- Your oven can be built into a cabinet or wall as a stand-alone unit. It can be installed under gas or electric wall ovens and the Sharp Combi Steam Oven/Wall Oven models or under the Sharp Cooktop models listed below.

COMBI STEAM OVEN/ WALL OVEN MODELS	COOKTOP MODELS
<ul style="list-style-type: none"> • SSC3088AS • SSC2489DS • SSC2489GS • SWA2450GS 	<ul style="list-style-type: none"> • SDH3042DB • SDH3652DB • SCH3043GB • SCH2443GB • SCR3042FB • SCR2442FB

24" MICROWAVE DRAWER™ STANDARD MOUNT AND MEASUREMENTS

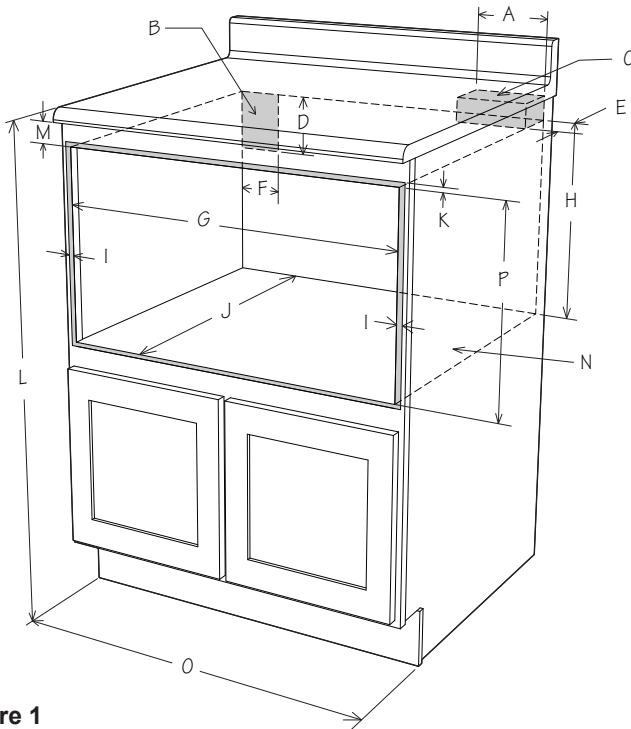


Figure 1

- A. 6"
- B. Suggested electrical outlet location*
- C. Anti-Tip block
- D. 5"
- E. 3 1/2"
- F. 4"
- G. 22 1/8" opening
- H. 14 13/16" to bottom of Anti-Tip block
- I. Allow 7/8" overlap
- J. 23 1/2" minimum depth
- K. Allow 1/4" overlap
- L. 36" countertop height
- M. Allow 1/4" minimum space
- N. Floor must support 100 lb
- O. 24" cabinet minimum
- P. 14 13/16" opening

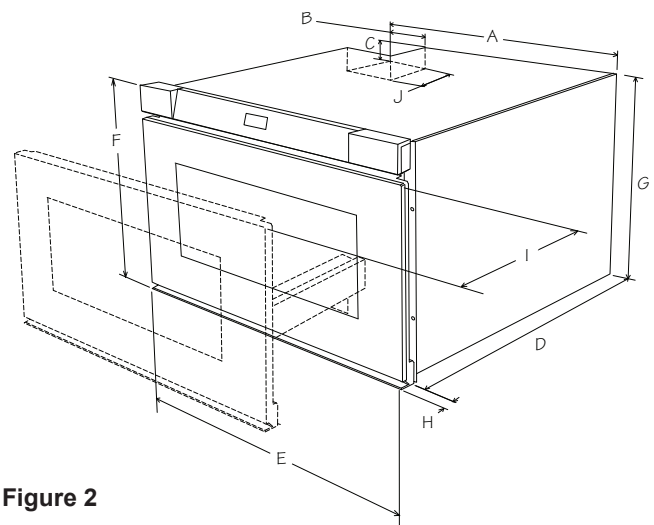


Figure 2

- A. 21 5/8"
- B. 4 11/16"
- C. 1 3/4"
- D. 21 7/8"
- E. 23 5/8"
- F. 15 1/16"
- G. 14 5/8"
- H. 1 9/16" door thickness
- I. 15" auto drawer opening
- J. 4"

Figures 1 and 2 contain many measurements for reference when planning the Sharp Microwave Drawer™ Oven location.

* Can also be installed using an electrical outlet in an adjacent cabinet within the area where the provided electrical cord can reach. Power cord access hole in cabinet should be a minimum 1 1/2" diameter hole and deburred of all sharp edges.

IMPORTANT Always allow sufficient power cord length to the electrical outlet to prevent tension.

Always check electrical codes for requirements.

Figure 3 represents a typical standard cabinet. If installed in custom cabinets with extended countertops, take into account visibility and access to controls. See Figure 4.

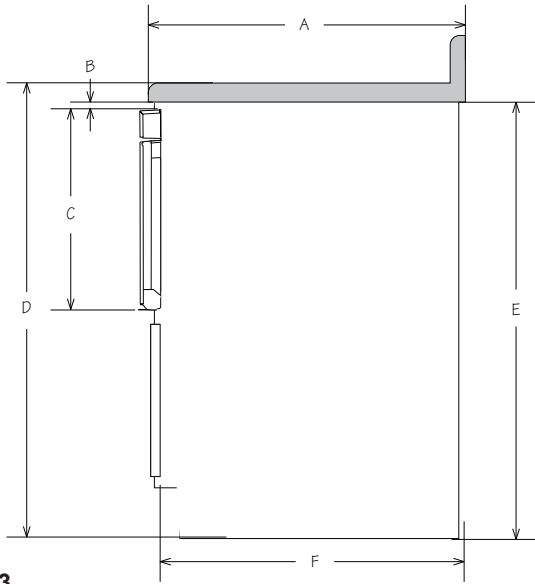


Figure 3

- | | |
|-----------------|------------|
| A. 25" | D. 36" |
| B. 1/2" minimum | E. 34 1/2" |
| C. 15 1/16" | F. 24" |

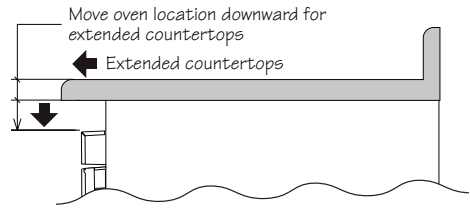


Figure 4

24" MICROWAVE DRAWER™ FLUSH MOUNT AND MEASUREMENTS

Prepare cabinet opening as shown in Figures 5, 6, 7

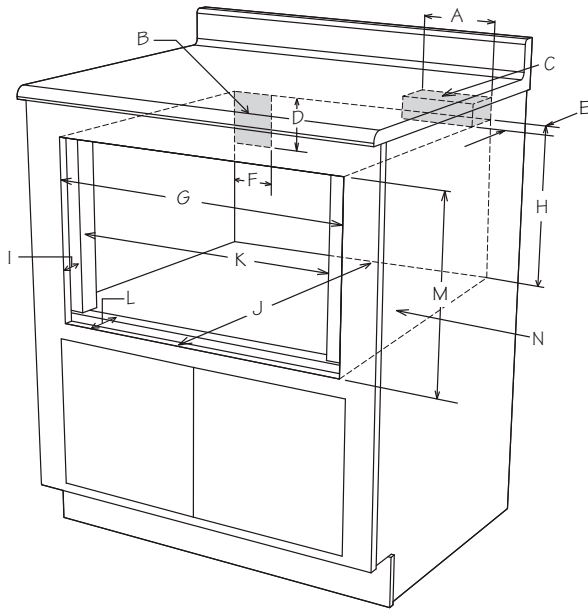


Figure 5

- A. 6"
- B. Suggested electrical outlet location
- C. Anti-Tip block
- D. 5"
- E. 3 1/2"
- F. 4"
- G. 23 7/8"
- H. 14 13/16" to bottom of Anti-Tip block
- I. 19 1/16"
- J. 23 1/2" minimum depth
- K. 22 1/8"
- L. 19 1/16" to front of shelf
- M. 15 5/16" opening
- N. Floor must support 100 lb

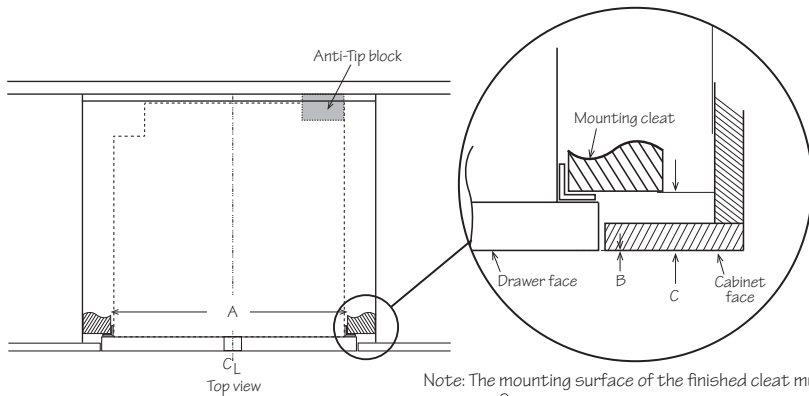


Figure 6

Note: The mounting surface of the finished cleat must sit 19 1/16" back from the face of the cabinet.

- A. 22 1/8" mounting cleat opening width
- B. 0" flush
- C. 19 1/16" front of cleat to cabinet face

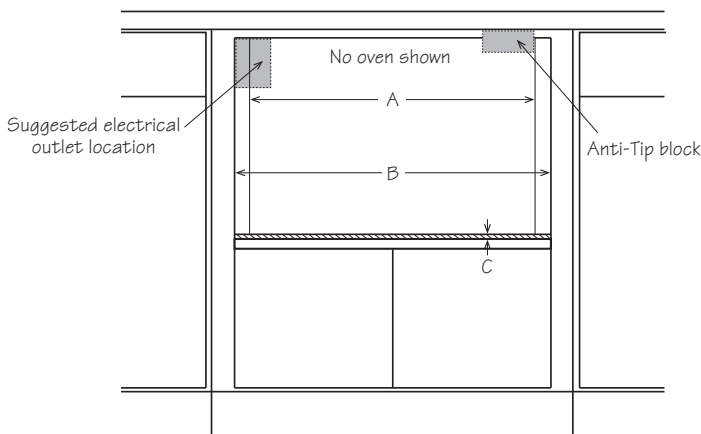


Figure 7

- A. 22 1/8" mounting cleat opening width
- B. 23 7/8" flush opening width
- C. 1/8" from opening to top of shelf

ANTI-TIP BLOCK

NORMAL INSTALLATION STEPS

ANTI-TIP BLOCK INSTALLATION INSTRUCTIONS

To reduce the risk of tipping of the drawer, the Anti-Tip block must be properly installed located $14\frac{13}{16}$ " above the floor on which the Sharp Microwave Drawer™ Oven will sit. The 6" Anti-Tip block must be provided by the installer. See Figure 1. The Anti-Tip block prevents serious injury that might result from spilled hot liquids.

If the Sharp Microwave Drawer™ Oven is ever moved to a different location, the Anti-Tip block must also be moved and installed. When installed to the wall, ensure the screws completely penetrate the drywall and are secured in wood or metal so the block is totally stable. When fastening, ensure the screws do not penetrate electrical wiring or plumbing.

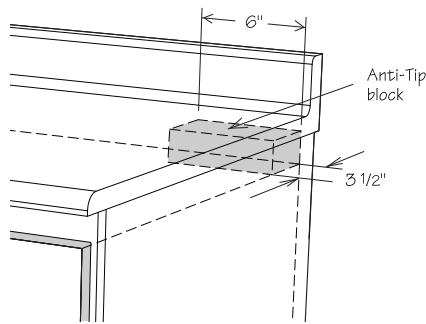


Figure 8

ELECTRICAL OUTLET

The electrical requirements are a 120 volt 60 Hz, AC only, 15 amp. or more protected electrical supply. It is recommended that a separate circuit serving only this appliance be provided.

The drawer is equipped with a 3-prong grounding plug. It must be plugged into a properly installed and grounded wall receptacle. Should you only have a 2-prong outlet, have a qualified electrician install a correct wall receptacle.

Note: If you have any questions about the grounding or electrical instructions, consult a qualified electrician or serviceworker.

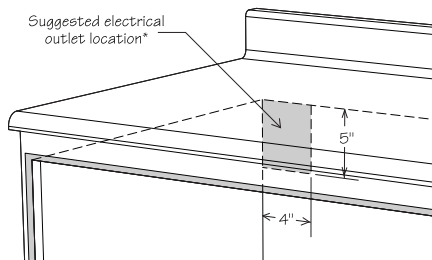


Figure 9

* Can also be installed using an electrical outlet in an adjacent cabinet within the area where the provided electrical cord can reach.

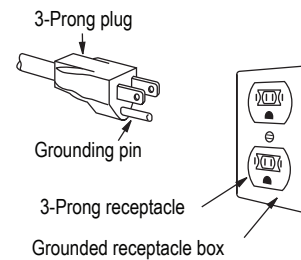
Always check electrical codes for requirements.

GROUNDING INSTRUCTIONS

This appliance must be grounded. The Sharp Microwave Drawer™ Oven is equipped with a cord having a grounding wire with a grounding plug. It must be plugged into a properly installed and grounded wall receptacle in accordance with the National Electrical Code and local codes and ordinances. In the event of an electrical short circuit, grounding reduces risk of electric shock by providing an escape wire for the electric current.

⚠ WARNING Improper use of the grounding plug can result in a risk of electric shock. **Do not use an extension cord. If the power supply cord is too short, have a qualified electrician or serviceworker install an outlet near the appliance.**

Permanent and Correct Installation



DRAWER INSTALLATION

1. Place the drawer adjacent to the wall or cabinet opening. Plug the power supply cord into the electrical outlet.
2. Carefully guide the drawer into the prepared opening. Avoid pinching the cord between the oven and the wall.
3. Slide the drawer all the way until the mounting flange is flush with the face of the cabinet. See Figure 10.
4. Open the drawer. Using the 4 holes on the drawer as a template, pre-drill the cabinet using a $\frac{1}{16}$ " bit. See Figure 10.
5. Secure the drawer with the 4 screws supplied. See Figure 11.

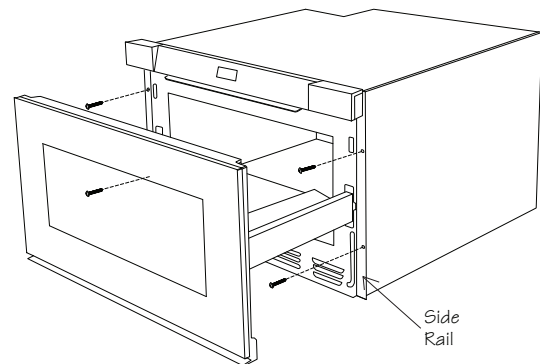


Figure 10

Parts supplied - 4 Screws

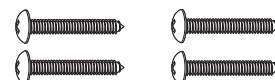


Figure 11

MODEL AND SERIAL NUMBER LOCATION

The nameplate includes model and serial number. Open the Sharp Microwave Drawer™ Oven fully. The label is beyond the back wall of the microwave cavity facing up from the flat surface.

CARE, CLEANING AND MAINTENANCE

Refer to the Operation Manual for cleaning instructions.

ACCESSORIES

UNDER THE COUNTER MICROWAVE DRAWER™ PEDESTAL SKMD24U0ES

Complete the installation with a two-drawer installation pedestal that comes with sleek, stainless-steel drawer fronts. For a unified look, the pedestal accepts custom front drawer panels. The pedestal is installed in three easy steps into a 24" wide opening under the counter and has flexible mounting depths available, including flush.

BEFORE YOU CALL FOR SERVICE

Read the BEFORE YOU CALL and operating instruction sections in your Operation Manual. It may save you time and expense. The list includes common occurrences that are not the result of defective workmanship or materials in this microwave.

Please call or write if you have inquiries about your Sharp Microwave Drawer™ Oven and/or need to order parts.

CONTACT US

If at any time you have questions or comments concerning your SHARP product, please contact the SHARP Customer Assistance Center. We are available to assist you through multiple contact methods for your convenience:



EMAIL

Available 24/7
See the Contact Us section on our site.

<https://sharp.ca/contact-sharp>



SUPPORT SITE

Product Downloads,
Service Locator, Where
to Buy, Toner Recycling
Program and more.

CA | www.sharp.ca



CALL US

CA 877-278-6709
Mon-Fri: 8am-5pm EST
(except statutory holidays)

Contact a Sharp Advisor on the phone