



### SPECIFICATIONS

#### FEATURES

Finish	Stainless Steel
Drawer Opening	Open/Close Button
Width	24"
Capacity (cu. ft.)	1.2
Output Power (watts)	950W
Interior Light	Incandescent
Timer/Clock	Yes
Open/Close	Yes
Start/+30Sec	Yes
Stop/Clear	Yes
Power Level	11
Control Lock	Yes
Help/Settings	Yes
Demo Mode	Yes
End of Cooking Reminder	Yes

#### CONTROL PANEL

Control Panel Location	Center/Top
Control Panel Type	Membrane
Display Type	LCD 7-Segment
Display Colour	White on Black Background

#### COOKING / MENU PRESETS

Popcorn	Yes, Sensor
Reheat	Yes, Sensor
Sensor Cook	Quick Fresh Vegetables, Longer Fresh Vegetables, Frozen Vegetables, Sweet Potatoes, Ground Meat, Fish/Seafood, White Rice, Brown Rice
Frozen Entrée	Yes, Sensor
Baked Potatoes	Yes, Sensor
Steamer Bags	Yes, Sensor
Defrost	Ground Meat, Steaks/Chops, Boneless Poultry, Bone-in Poultry, Roast, Casserole or Soup
Rolls/Muffins	Fresh, Frozen
Melt, Soften & Warm Options	Butter, Chocolate, Ice Cream, Cream Cheese, Syrup, Dessert Toppings
Other Menus	Beverage Reheat, Hot Water, Hot Cereal
Keep Warm	Yes

#### OPTIONAL ACCESSORY

Product Name	Drawer Under-the-Counter Pedestal
Model	SKMD24U0ES
Colour	Stainless Steel or Custom Panel Ready
UPC	074000620865

#### ADDITIONAL SPECIFICATIONS

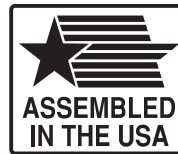
Installation	Built-In-Ready, Standard or Flush
Power Source	120V, 60HZ / 15A / 1.67 KW

#### DIMENSIONS & WEIGHT (in./lbs) (w x d x h)

Cavity Interior	17-5/16" x 16-9/16" x 7-1/8"
Product Dimensions	23-5/8" x 23-7/16" x 15-1/16"
Shipping Dimensions	29-1/4" x 27-3/4" x 21-3/4"
Product Weight/Shipping Weight	72.0 lbs. / 83.6 lbs.

#### WARRANTY / UPC

Parts	1 Year
Labour	1 Year
Magentron Tube	Additional 4 Years (Part Only)
UPC	074000622302



Assembled in USA from imported and domestic parts.

Internal capacity calculated by measuring maximum width, depth and height. Actual capacity for holding food is less. Product specifications and design are subject to change without notice.

© 2023 Sharp Electronics of Canada Ltd. All rights reserved.

Sharp, Microwave Drawer, and all related trademarks are trademarks or registered trademarks of Sharp Corporation and/or its affiliated companies. All other trademarks are property of their respective owners.

**SIMPLY BETTER LIVING**

At Sharp Electronics of Canada, we are committed to Simply Better Living. Our innovative home appliance products are SIMPLE to use, BETTER than the competition, and encourage a HEALTHY LIFESTYLE.



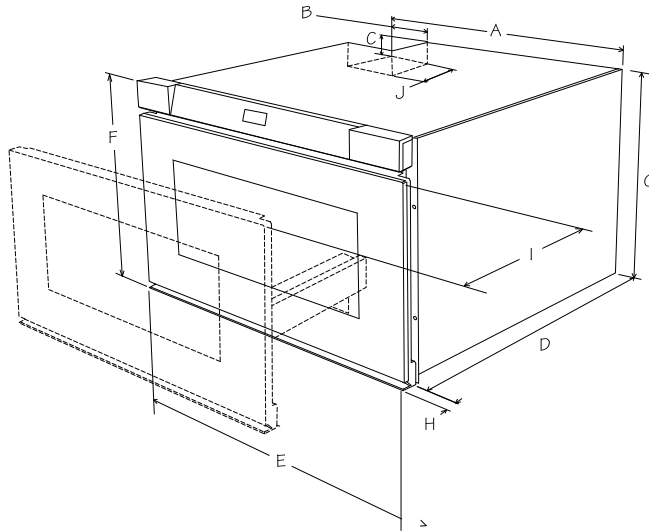
24" Built-In Microwave Drawer™ Oven

## SMD2443JSC

### 24" MICROWAVE DRAWER PRODUCT DIMENSIONS

The following are measurements only. Do not use to install microwave drawer.

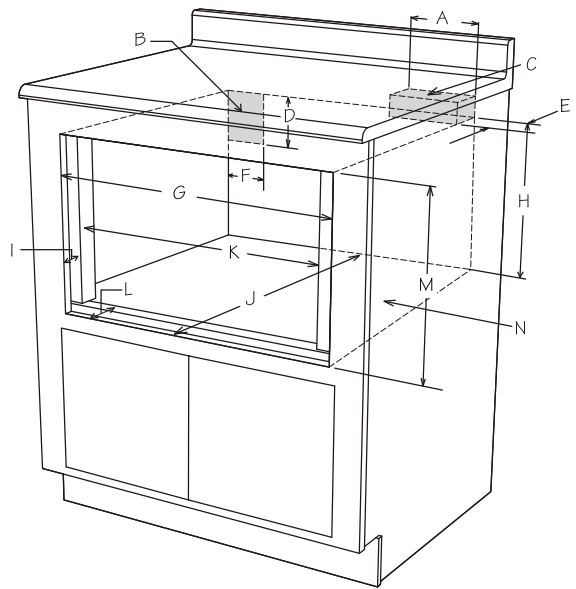
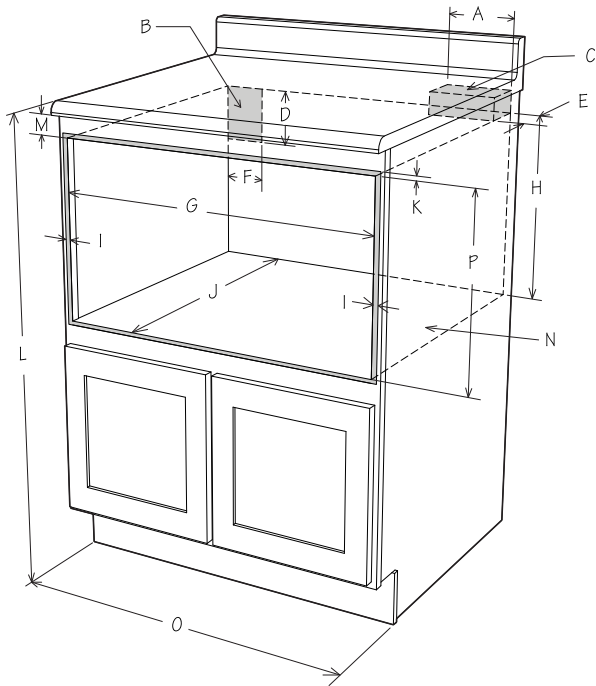
For detailed installation instructions, please refer to the installation manual



- A. 21-5/8" (549.28 mm)
- B. 4-11/16" (119.06 mm)
- C. 1-3/4" (44.45 mm)
- D. 21-7/8" (555.63 mm)
- E. 23-5/8" (600.07 mm)
- F. 15-1/16" (382.59 mm)
- G. 14-5/8" (371.47 mm)
- H. 1-9/16" (39.69 mm) door thickness
- I. 15" (381 mm) auto drawer opening
- J. 4" (101 mm)

### 24" MICROWAVE DRAWER STANDARD MOUNT

### 24" MICROWAVE DRAWER FLUSH MOUNT



- A. 6" (152.40 mm)
- B. Suggested electrical outlet location
- C. Anti-Tip block
- D. 5" (127 mm)
- E. 3-1/2" (88.90 mm)
- F. 4" (101.60 mm)
- G. 22-1/8" (561.97 mm) opening
- H. 14-13/16" (376.24 mm) to bottom of Anti-Tip block
- I. Allow 7/8" (22.22 mm) overlap
- J. 23-1/2" (596.90 mm) min. depth
- K. Allow 1/4" (6.35 mm) overlap
- L. 36" (914.40 mm) countertop height
- M. Allow 1/4" (6.35 mm) min. space
- N. Floor must support 100 lb/45.4 kg
- O. 24" (609.60 mm) cabinet min.
- P. 14-13/16" (376.24 mm) opening

- A. 6" (152.40 mm)
- B. Suggested electrical outlet location
- C. Anti-Tip block
- D. 5" (127 mm)
- E. 3-1/2" (88.90 mm)
- F. 4" (101.60 mm)
- G. 23-7/8" (606.43 mm)
- H. 14-13/16" (376.24 mm) to bottom of Anti-Tip block
- I. 1-9/16" (39.69 mm)
- J. 23-1/2" (596.90 mm) min. depth
- K. 22-1/8" (561.97 mm)
- L. 1-9/16" (39.69 mm) to front of shelf
- M. 15-5/16" (388.94 mm) opening
- N. Floor must support 100 lb (45.4 kg)