

SuperSteam+™ Oven

MODEL
SSC2489DS



SuperSteam+™
Oven: Model SSC2489DS

CUSTOMER ASSISTANCE (UNITED STATES ONLY).....	2	PRODUCT OVERVIEW	11-12
CUSTOMER ASSISTANCE (CANADA ONLY)	3	BEFORE FIRST USE	13-14
US CONSUMER LIMITED WARRANTY.....	4	CONNECTING TO YOUR APPLIANCE	15-16
CANADA CONSUMER LIMITED WARRANTY	5	COOKING OPERATION	17-21
IMPORTANT SAFETY INSTRUCTIONS.....	6-7	SETTING AND DEMO MODES	22
IMPORTANT REGULATORY INFORMATION	7	CLEANING.....	23-24
INFORMATION YOU NEED TO KNOW	8-10	BEFORE YOU CALL FOR SERVICE.....	25

REGISTER YOUR PRODUCT

Registering your new product is easy and offers benefits that help you get the most out of your Sharp product including:

- ✓ **Convenience:** If you ever need warranty support, your product information is already on file.
- ✓ **Communication:** Stay up to date with important notifications and special offers from SHARP.
- ✓ **Support:** Quickly access support content including Owner's Manuals, FAQ's, How-to Videos, and much more.

3 EASY WAYS TO REGISTER TODAY!

 <p>SCAN Use the camera or QR code scanning application on your mobile device</p> <p>Scan this QR Code on your mobile device</p>	 <p>ONLINE Visit our sites to learn more about your product at sharpusa.com and sbl.sharpusa.com</p> <p>Visit http://www.sharpusa.com/register</p>	 <p>CALL US US 800-BE-SHARP 800-237-4277 Mon-Fri: 7am-7pm CST Sat-Sun: 9am-7pm CST</p> <p>Contact a Sharp Advisor on the phone</p>
--	---	--

PRODUCT SUPPORT


If you have questions about the setup or operation of your product, please refer to the corresponding section within this manual.

Additionally, visit www.sharpusa.com/support to access exclusive content about your product including:

- FAQ's and How-To Videos
- Find or Request Service
- Purchase an Extended Warranty
- Downloads including the Installation Guide, Spec Sheet, and Owner's Manual

CONTACT US

If at any time you have questions or comments concerning your SHARP product, please contact the SHARP Customer Assistance Center. We are available to assist you through multiple contact methods for your convenience:

 <p>EMAIL Available 24/7 US: sharpusa.com</p> <p>See the Contact Us section on our sites</p>	 <p>CHAT ONLINE Mon-Fri: 7am-7pm CST Sat-Sun: 9am-7pm CST</p> <p>U.S. www.sharpusa.com/support</p>	 <p>CALL US US 800-BE-SHARP 800-237-4277 Mon-Fri: 7am-7pm CST Sat-Sun: 9am-7pm CST</p> <p>Contact a Sharp Advisor on the phone</p>
--	--	--

To aid in answering questions if you call for service or for reporting loss or theft, please use the space below to record the model and serial number located on the back side of the unit.

Model Number: _____

Serial Number: _____

Date of Purchase: _____

Dealer Name: _____

Address: _____

City: _____

Province: _____

Postal Code: _____

Telephone: _____

PRODUCT SUPPORT

If you have questions about the setup or operation of your product, please refer to the corresponding section within this manual.

Additionally, visit <http://sharp.ca/support-home.aspx> to access exclusive content about your product including:

- Find a Dealer
- Find Service Locations
- Downloads including the Installation Guide, Spec Sheet, and Owner's Manual

CONTACT US

If at any time you have questions or comments concerning your SHARP product, please contact the SHARP Customer Assistance Center. We are available to assist you through multiple contact methods for your convenience:



EMAIL

Available 24/7

See the Contact Us section on our site.

<http://sharp.ca/contact-emailus.aspx>



SUPPORT SITE

Product Downloads, Service Locator, Where to Buy, Toner Recycling Program and more.

CA | sharp.ca/support-home.aspx



CALL US

CA 877-278-6709
Mon-Fri: 7am-7pm CST

Contact a Sharp Advisor on the phone



US CONSUMER LIMITED WARRANTY

SHARP ELECTRONICS CORPORATION (“Sharp”) warrants to the first consumer purchaser (“Purchaser”) that this SHARP brand product (“Product”), when shipped in its original container and sold or distributed in the United States by Sharp or an authorized Sharp dealer or reseller, will be free from defective workmanship and materials and agrees that it will, at its option, either repair the defect or replace the defective Product or part thereof with a new or remanufactured equivalent at no charge to the Purchaser for parts or labor for the period(s) set forth below.

This limited warranty does not apply to any appearance items of the Product nor to the additional excluded item(s) set forth below nor to any Product the exterior of which has been damaged or defaced, which has been subjected to misuse, abnormal service or handling, or which has been altered or modified in design or construction.

In order to enforce the rights under this limited warranty, the Purchaser should follow the steps set forth below and provide proof of purchase to the servicer.

The limited warranty described herein is in addition to whatever implied warranties may be granted to Purchasers by law. ALL IMPLIED WARRANTIES INCLUDING THE WARRANTIES OF MERCHANTABILITY AND FITNESS FOR USE ARE LIMITED TO THE PERIOD(S) FROM THE DATE OF PURCHASE SET FORTH BELOW. Some states do not allow limitations on how long an implied warranty lasts, so the above limitation may not apply to you.

Neither the sales personnel of the seller nor any other person is authorized to make any warranties other than those described herein, or to extend the duration of any warranties beyond the time period described above on behalf of Sharp.

The warranties described herein shall be the sole and exclusive warranties granted by Sharp and shall be the sole and exclusive remedy available to the Purchaser. Correction of defects, in the manner and for the period of time described herein, shall constitute complete fulfillment of all liabilities and responsibilities of Sharp to the Purchaser with respect to the Product and shall constitute full satisfaction of all claims, whether based on contract, negligence, strict liability or otherwise. In no event shall Sharp be liable, or in any way responsible, for any damages or defects in the Product which were caused by repairs or attempted repairs performed by anyone other than an authorized servicer. Nor shall Sharp be liable or in any way responsible for any incident or consequential economic or property damage. Some states do not allow the exclusion of incidental or consequential damages, so the above exclusion may not apply to you.

THIS LIMITED WARRANTY GIVES YOU SPECIFIC LEGAL RIGHTS. YOU MAY ALSO HAVE OTHER RIGHTS WHICH VARY FROM STATE TO STATE.

THIS LIMITED WARRANTY IS VALID ONLY IN THE FIFTY (50) UNITED STATES, THE DISTRICT OF COLUMBIA AND PUERTO RICO.

Your product model number & description: Model # SSC2489DS or Home Use SuperSteam+ Oven. (Be sure to have this information available when you need service for your Product.)

Warranty period for this product: One (1) year parts and labor including in-home service.

Additional item(s) excluded from warranty coverage (if any): Non-functional accessories and light bulbs.

Where to obtain service: From a Sharp Authorized Servicer located in the United States. To find the location of the nearest Sharp Authorized Servicer, call Sharp toll free at 1-800-BE-SHARP (1-800-237-4277).

What to do to obtain service: In-home service is provided for one year from date of purchase. In-home service can be arranged by calling 1-800-BE-SHARP. Be sure to have Proof of Purchase available.

TO OBTAIN SUPPLY, ACCESSORY OR PRODUCT INFORMATION, CALL 1-800-BE-SHARP or visit www.sharpsusa.com. SAVE THE PROOF OF PURCHASE AS IT IS NEEDED SHOULD YOUR OVEN EVER REQUIRE WARRANTY SERVICE.



CANADA CONSUMER LIMITED WARRANTY
Congratulations on your purchase!

Sharp Electronics of Canada Ltd. (“Sharp”) warrants to the first purchaser for this Sharp brand product (“Product”), when shipped in its original container and sold or distributed in Canada by Sharp or by an authorized Sharp dealer, and Product was not sold “as is” or “sales final” that the Product will during the applicable warranty period, be free from defects in material and workmanship, and will within the applicable warranty period, either repair the defective Product or provide the first purchaser a replacement of the defective Product.

This warranty does not apply to any appearance items of the product nor to the additional excluded item(s) set forth below nor to any product the exterior of which has been damaged or defaced, which has been subjected to improper voltage or other misuse, abnormal service or handling, which has been altered or modified in design or construction, or if the serial number or model number affixed to Product has been removed, defaced, changed, altered or tampered with.

How to get service: Should this Sharp product fail to operate during the warranty period, warranty service is provided by an Authorized Sharp Service Centre or an Authorized Sharp Servicing Dealer. In home warranty service will be carried out to locations accessible by on-road service vehicle and within 50 km of an authorized Sharp service centre. The servicer may if necessary take the unit for repair at the servicer's facility. No other person (including any Sharp dealer or service centre) is authorized to extend, enlarge or transfer this warranty on behalf of Sharp.

The express warranties in this limited warranty are, except for consumer purchasers domiciled in Quebec, in lieu of and, except to the extent prohibited by applicable law, Sharp disclaims all other warranties and conditions, express or implied, whether arising by law, statute, by course of dealing or usage of trade, including, without limitation, implied warranties or conditions of merchantability and/or quality, fitness for a particular use or purpose, and/or non-infringement. Limitations (not applicable to consumer purchasers domiciled in Quebec to the extent prohibited under Quebec law): (a) Sharp shall not be liable for any incidental, special, consequential, economic, exemplary or indirect damages of any kind or nature (including lost profits or damages for loss of time or loss of use or loss of data) arising from or in any connection with the use or performance of a Product or a failure of a Product, even if Sharp is aware of or has been advised of the possibility of such damages; (b) the remedies described in this limited warranty constitute complete fulfillment of all obligations and responsibilities of Sharp to the purchaser with respect to the Product and shall constitute full satisfaction of all claims, whether based on contract, negligence, strict liability or otherwise. Some provinces may not allow the exclusion or limitation of certain damages, or limits on the duration or voiding of implied warranties or conditions; in such provinces, the exclusions and limits herein may not apply. This limited warranty is, except for consumer purchasers domiciled in Quebec, governed by the laws of the Province in Canada in which the purchaser has purchased the Product. For consumer purchasers domiciled in Quebec this limited warranty is governed by the laws of Quebec.

- | | |
|---|---|
| Your product model number & description: | Model # SSC2489DS Home Use SuperSteam+ Oven. (Be sure to have this information available when you need service for your product.) |
| Warranty period for this product: | One (1) year parts and labor including in-home service. |
| Additional item(s) excluded from warranty coverage (if any): | Non-functional accessories, reservoir, drip tray, base tray, rack, baking tray, perforated tray and light bulb. |

To obtain the name and address of the nearest Authorized Sharp Service Centre or Dealer, please contact:

SHARP ELECTRONICS OF CANADA LTD
335 Britannia Road East
Mississauga, Ontario
L4Z 1W9
(905) 568-7140
Website: www.sharp.ca

THIS LIMITED WARRANTY IS VALID ONLY IN CANADA

IMPORTANT SAFETY INSTRUCTIONS

READ ALL INSTRUCTIONS BEFORE USING

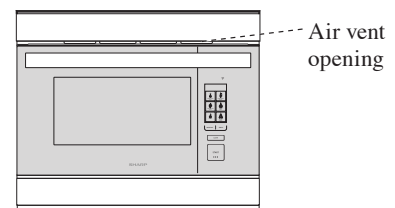
When using the appliance, basic safety precautions should be followed, including the items stated in this section.

WARNING *To reduce the risk of burns, electric shock, fire or injury to persons:*

- 1 Read all instructions before using the appliance.
- 2 Be sure your appliance is properly installed and grounded by a qualified technician in accordance with the provided Installation Manual. Have installer note which fuse/circuit supplies power to the oven in the fuse/circuit breaker panel.
- 3 Never use your appliance for warming or heating the room.
- 4 Children should not be left alone or unattended in area where appliance is in use. They should never be allowed to sit or stand on any part of the appliance.
- 5 Wear proper apparel. Loose-fitting or hanging garments (necklaces, sleeves, scarves or ties) should never be worn while using the appliance. Secure long hair so that it does not risk contact with the oven.
- 6 Do not repair or replace any part of the appliance unless specifically recommended in the manual. All other servicing should be referred to a qualified technician.
- 7 Flammable materials should not be stored in an oven or near surface units.
- 8 **DO NOT USE WATER ON GREASE FIRES!** Smother fire or flame or use dry chemical or foam-type extinguisher.
- 9 Use only dry potholders. Moist or damp potholders on hot surfaces may result in burns from steam. Do not use a towel or other bulky cloth.
- 10 Use care when opening door. Let hot air or steam escape before removing or replacing food.
- 11 Do not heat unopened food containers. Buildup of pressure may cause container to burst and result in injury.
- 12 Keep oven vent ducts and all other openings on the appliance unobstructed.
- 13 Always place oven racks in desired location while oven is cool. If rack must be moved while oven is hot, use caution in order to prevent burns.
- 14 Use this appliance only for its intended use as described in this manual. Do not use corrosive chemicals or vapors in this appliance. This appliance is specifically designed to heat, cook or dry food. It is not designed for industrial or laboratory use.
- 15 Do not operate this appliance if it has a damaged cord or plug, if it is not working properly or if it has been damaged or dropped.
- 16 Do not store or use this appliance outdoors. Do not use this product near water—for example, near a kitchen sink, in a wet basement, near a swimming pool or similar locations.
- 17 Do not immerse cord or plug in water.
- 18 Keep cord away from heated surfaces.
- 19 Do not climb or sit on the appliance.
- 20 Keep fingers and other objects and materials away from the door of the appliance when closing.
- 21 When cleaning appliance, use only mild, nonabrasive soaps or detergents applied with a sponge or soft cloth. See cleaning instructions on pages 23-24.
- 22 To reduce the risk of fire in the appliance cavity:
 - a Do not overcook food. Carefully attend appliance when paper, plastic or other combustible materials are placed inside the appliance to facilitate cooking.
 - b Do not use the appliance for storage purposes. Do not leave paper products, cooking utensils or food in the appliance when not in use.
 - c Foods containing a large amount of high alcohol content can run the risk of igniting the steam in the oven cavity during cooking as the alcohol evaporates into the steam. Do not use the oven to prepare foods with a large amount of high alcohol content. Use caution when opening door after cooking.
- 23 If the appliance light fails, consult a SHARP AUTHORIZED SERVICER.

WARNING As a safety precaution, the oven will periodically exhaust steam during use in various cooking modes to reduce the amount of steam buildup in the cavity. The steam will exhaust from the air vent above the door, as pictured.

CAUTION Stand clear and do not block vent during steam exhaustion. Steam will be hot.



SAVE THESE INSTRUCTIONS

IMPORTANT SAFETY INSTRUCTIONS

CAUTION FOR WIRELESS LAN

CAUTION FOR USAGE ABOUT WI-FI

- If you are using in the following areas, the operation cannot be guaranteed: near Bluetooth® wireless communications devices using the same frequency (2.4 GHz) as this product or specified low power wireless devices. There may also be issues in locations with devices, such as microwave ovens, that emit a magnetic field; as well as in areas with static electricity or radio disturbance, all of which can interfere with the Wi-Fi signal.
- Wireless connection and performance cannot be guaranteed for all routers or housing environments. In the following places, it is possible the Wi-Fi cannot reach or is disconnected: inside of a building made with concrete, reinforced metal, near an obstruction (e.g., a wall) or near a wireless communications device using the same frequency.
- Wireless LAN of this product corresponds to channels 1-13. It is not available to communicate with routers set up to other channels.

CAUTION FOR PERSONAL INFORMATION (RELATED TO SECURITY)

- Using a wireless LAN device has the possibility of interception when using Wi-Fi, regardless of password setting.
- Depending on the location where you are connecting your oven, ensure you have the right/authority to connect the appliance to the available Wi-Fi network.
- If disposing of unit, giving or selling to a third party, be sure to Reset Wi-Fi Settings as described in this manual. The wireless LAN function of the unit should be initialized (reset) in case of handover to a third party to avoid illegal access from unauthorized parties.

MINIMUM REQUIREMENTS FOR WI-FI/ROUTER SPECIFICATIONS:

- IEEE 802.11 b/g/n compatible WLAN
- 72.2Mbps receive and transmit PHY rate using 20MHz bandwidth
- 150Mbps receive and transmit PHY rate using 40MHz bandwidth
- 802.11i (WPA, WPA2). Open, shared key, and pair-wise key authentication services
- Wi-Fi WPS support

IMPORTANT REGULATORY INFORMATION

CAUTION Any changes or modifications to the appliance not expressly approved by the party responsible for compliance could void the user's authority to operate the appliance.

NOTE: This equipment has been tested and found to comply with the limits for a Class B digital device, pursuant to Part 15 of the FCC Rules. These limits are designed to provide reasonable protection against harmful interference in a residential installation. This equipment generates, uses and can radiate radio frequency energy and, if not installed and used in accordance with the instructions, may cause harmful interference to radio communications. However, there is no guarantee that interference will not occur in a particular installation. If this equipment does cause harmful interference to radio or television reception, which can be determined by turning the equipment off and on, the user is encouraged to try to correct the interference by one or more of the following measures:

- Reorient or relocate the receiving antenna.
- Increase the separation between the equipment and receiver.
- Connect the equipment to an outlet on a circuit different from that to which the receiver is connected.
- Consult the dealer or an experienced radio/TV technician for help.

SHARP Home Use SuperSteam+ Oven Model # SSC2489DS

This device complies with Part 15 of the FCC Rules. Operation is subject to the following two conditions: (1) This device may not cause harmful interference, and (2) this device must accept any interference received, including interference that may cause undesired operation.

Responsible Party:

Sharp Electronics Corporation

100 Paragon Drive, Montvale, NJ 07645

TEL: 1-800-BE-SHARP (or www.sharppusa.com)

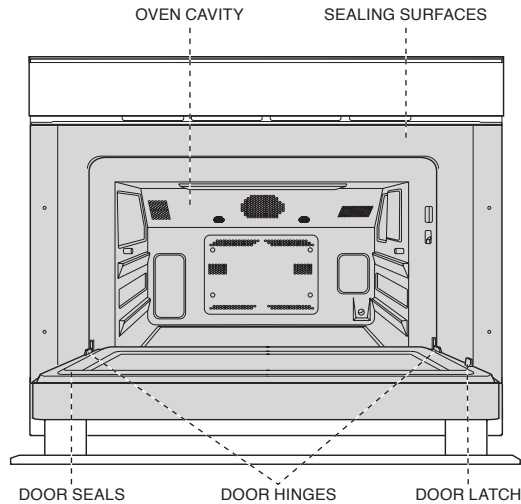
This device complies with Part 15 of the FCC Rules. Operation is subject to the following two conditions: (1) This device may not cause harmful interference, and (2) this device must accept any interference received, including interference that may cause undesired operation.

- Contains/Content FCC: RX3-B01
- Contains/Content IC: 2878F-B01

INFORMATION YOU NEED TO KNOW

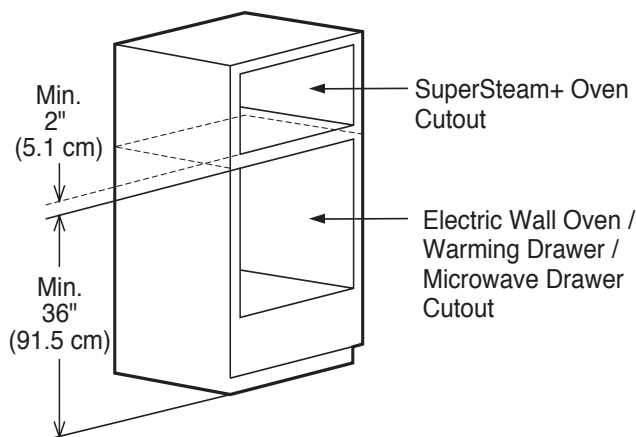
ABOUT UNPACKING AND EXAMINING YOUR OVEN

- 1 Remove all packing materials from inside the oven.
- 2 Remove the feature sticker, if there is one. Check the oven for any damage, such as misaligned or bent oven, damaged oven seals and sealing surfaces, broken or loose door hinges and latches and dents inside the cavity or on the front side of the oven. If there is any damage, do not operate the oven. Contact your dealer or a SHARP AUTHORIZED SERVICER.
- 3 Install or locate this appliance only in accordance with the provided Installation Manual.



CHOOSING A LOCATION FOR YOUR OVEN

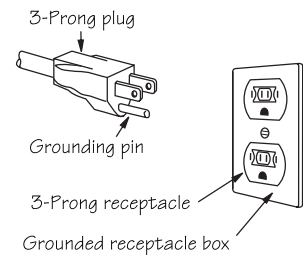
You will use your oven frequently, so plan its location for ease of use. Your oven can be built into a cabinet or wall by itself, or above any electric wall oven or above other Microwave Drawer models that specify the combination of this oven. The oven may be mounted below a 36" countertop, including a cooktop or island. It cannot be built in above any gas wall oven.



GROUNDING INSTRUCTIONS

This appliance must be grounded. The oven is equipped with a cord having a grounding wire with a grounding plug. It must be plugged into a wall receptacle that is properly installed and grounded in accordance with the National Electrical Code and local codes and ordinances. In the event of an electrical short circuit, grounding reduces risk of electric shock by providing an escape wire for the electric current.

Permanent and Correct Installation



⚠ WARNING Improper use of the grounding plug can result in a risk of electric shock. **Do not use an extension cord. If the power supply cord is too short, have a qualified electrician or servicetperson install an outlet near the appliance.**

If you have any questions about the grounding or electrical instructions, consult a qualified electrician or service technician.

FOOD SAFETY

- Check foods to see that they are cooked to the United States Department of Agriculture's recommended temperatures.

160°F / 71°C - For fresh pork, ground meat, boneless white poultry, fish, seafood, egg dishes and frozen prepared food.

165°F / 74°C - For leftover, ready-to-reheat refrigerated; deli and carry-out "fresh" food.

170°F / 77°C - White meat of poultry.

180°F / 82°C - Dark meat of poultry.

To test for doneness, insert a meat thermometer in a thick or dense area away from fat or bone.

- Accessible parts (e.g., oven door, oven cavity, dishes and accessories) may become hot during use. Use dry potholders or oven mitts when removing containers, food and oven accessories from the oven, being careful not to touch the oven cavity to prevent burns.
- Use care when opening door. Avoid steam burns by directing steam away from the face and hands. Always stand back from the oven when opening it.
- Slowly lift the farthest edge of a dish's covering and oven cooking bags away from the face.
- Stay near the oven while it is in use and check cooking progress frequently so that there is no chance of overcooking food.
- NEVER use the cavity for storing cookbooks or other items.
- Select, store and handle food carefully to preserve its high quality and minimize the spread of foodborne bacteria.

INFORMATION YOU NEED TO KNOW

- Use care when removing items from the oven so that the utensils, your clothes or accessories do not touch the door projection.
- Do not touch around the oven light. This area will become hot when the oven light is on.
- To avoid burns, always be careful of splashing grease from the baking tray when removing roasted or grilled meats from the oven.
- To avoid burns, always test food and container temperature and stir before serving. Pay special attention to the temperature of containers, foods and drinks. Do not drink beverage or soup without checking the container's temperature.
- Do not touch the oven door, outer cabinet, rear cabinet, oven cavity, ventilation openings, accessories, dishes and the escaping steam from the air vent openings during operation because they will become hot.
- Do not operate the oven if reservoir cracks and water leaks. Call a Sharp Authorized Service Center to purchase a replacement part.
- After use, condensed water may be inside oven cavity, especially on the oven floor. Dry any liquid residue with a sponge and wipe out to keep the oven clean.
- Do not move the oven during its operation. If the oven needs to be moved, always drain all water inside the oven using the DRAIN WATER function (see page 24). After draining, empty the drip tray.
- To prevent condensation, which could corrode the appliance, do not leave cooked food in the oven for an extended period.
- Clean the oven at regular intervals and remove any food deposits in the oven or on the door.
- Do not use for deep frying.
- ALWAYS use potholders to prevent burns when handling utensils that are in contact with hot food. Enough heat from the food can transfer through utensils to cause skin burns. When using the Supersteam, Steam and Convection modes, the cabinet, interior and door may be too hot to touch.
- Do not pour cold water on the tempered glass oven floor after cooking as it might break. Do not use water to try to cool down the oven interior after use.
- Do not pour cold water on the door as it might break.
- Do not touch hot surfaces.
- The use of accessory attachments not recommended by the appliance manufacturer may cause injuries.
- The oven should not be left unattended during operation. Oven temperatures that are too high or cooking times that are too long may overheat foods resulting in a fire.
- Do not insert fingers or objects in the steam outlets or air vent openings. This may damage the oven and cause an electric shock or a hazard.
- If any objects drop inside the air vent openings, turn off the oven immediately, unplug and consult a Sharp Authorized Servicer.
- Do not touch the plug with wet hands when inserting or removing from the outlet. Plug securely into the electric wall receptacle and remove by gripping on the plug end. Never pull using just the cord.
- During steaming, steam may come from the right side of the vent.
- In the case of a grease fire, DO NOT USE WATER. Smother fire or flame or use dry chemical or foam-type extinguisher.
- Never use your appliance for warming or heating the room.
- Loose-fitting or hanging garments should never be worn while using the appliance.
- Do not heat unopened food containers. Buildup of pressure may cause container to burst and result in injury.
- Always place oven racks in desired location while oven is cool. If rack must be moved while oven is hot, use caution in order to prevent burns.

CHILDREN AND APPLIANCE SAFETY

Children below the age of 7 should use the oven with a supervising person very near to them. Between the ages of 7 and 12, the supervising person should be in the same room.

The child must be able to reach the oven comfortably; if not, he/she should stand on a sturdy stool.

At no time should anyone be allowed to lean or swing on the oven door.

Children should be taught all safety precautions.

Don't assume that because a child has mastered one cooking skill he/she can cook everything.

Children need to learn that the oven is not a toy. Young children should be supervised to ensure that they do not play with the oven.

Children should not be left alone or unattended in area where appliance is in use. They should never be allowed to sit or stand on any part of the appliance.

Do not store toys or other items of interest to children in drawers or in cabinet or counter areas near the oven so children will not risk injury trying to reach them.

INFORMATION YOU NEED TO KNOW

UTENSILS AND DISH COVERINGS

The chart will help you decide which utensils and coverings should be used in each mode.

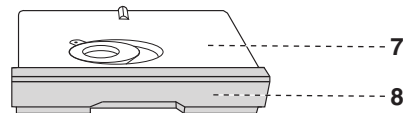
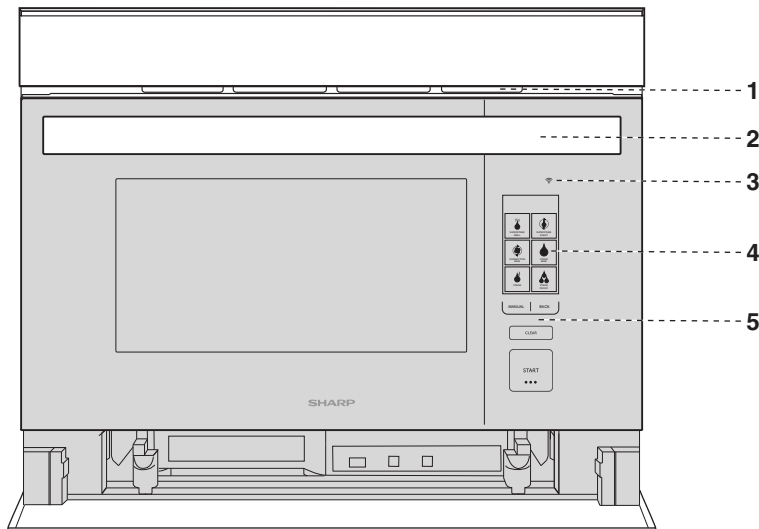
UTENSILS - COVERINGS	COOKING MODE	
	SUPERHEATED STEAM (STEAM ROAST & STEAM GRILL) / CONVECTION	STEAM/STEAM BAKE
Aluminum Foil, Foil Containers	YES	YES
Metal	YES	YES
China, Ceramics, Porcelain, Pottery, Stoneware	YES	YES
Heat-resistant Glassware e.g., Pyrex®	YES	YES
	Care should be taken if using fine glassware as it can break or crack if heated suddenly.	
Non-heat-resistant Glassware	NO	NO
Heat-resistant Plastic/Polystyrene	NO	YES
	Check manufacturer's temperature range.	Care must be taken as some containers warp, melt or discolor at high temperatures.
Plastic, Thermoset®	NO	YES
Microwave Plastic Wrap	NO	NO
Paper Towels, Paper Plates	NO	NO
Parchment Paper	NO	YES
Wax Paper	NO	NO
Roasting Rack	YES	NO
Roasting Bags	YES	NO
	Roasting bags should only be used with convection bake or steam roast.	
Silver Dishes and Cooking Utensils or Containers that might rust inside the oven	NO	NO
Low Rack, High Rack, Baking Tray, Steam Basket	YES	YES
Silicone-based Cookware	NO	NO

ACCESSORIES

There are many heat-resistant accessories available for purchase. Evaluate carefully before you purchase so that they meet your needs. Sharp is not responsible for any damage to the oven when accessories are used.

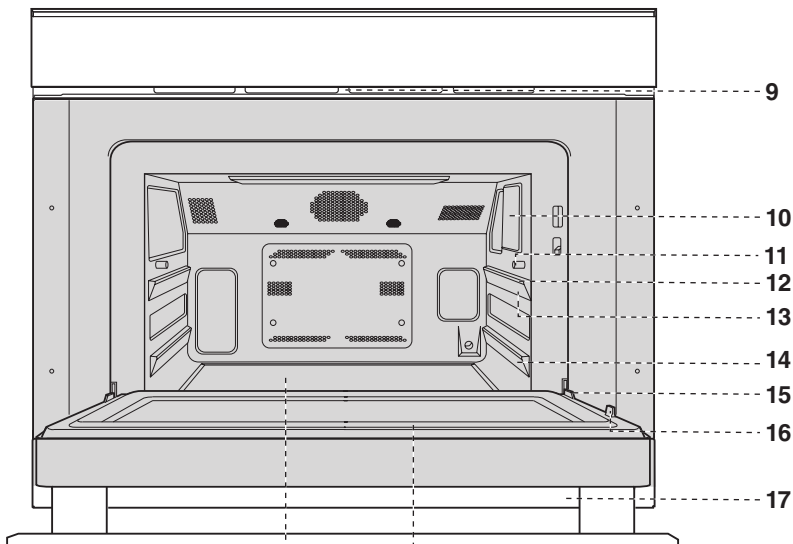
For automatic cooking, (see Smart Cook and Smart Recipe sections), use the recommended container in the cooking chart in this operation manual.

PRODUCT OVERVIEW



PARTS

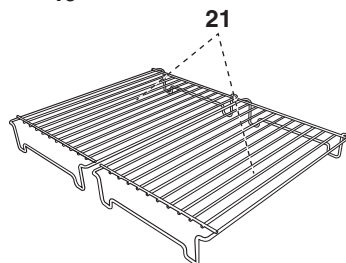
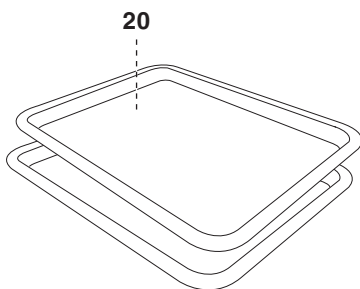
- 1 Air vent opening
- 2 Handle
- 3 Wi-Fi connecting
- 4 LCD display
- 5 Control panel
- 6 Drip tray (see page 13)
- 7 Reservoir lid (see page 13)
- 8 Reservoir (see page 13)
- 9 Stage light
- 10 Oven light
- 11 Anti-tip stubs
- 12 Tray guide
- 13 Upper level
- 14 Lower level
- 15 Door hinges
- 16 Latches
- 17 Air deflector
- 18 Glass oven floor
- 19 Door gasket



18 19

ACCESSORIES

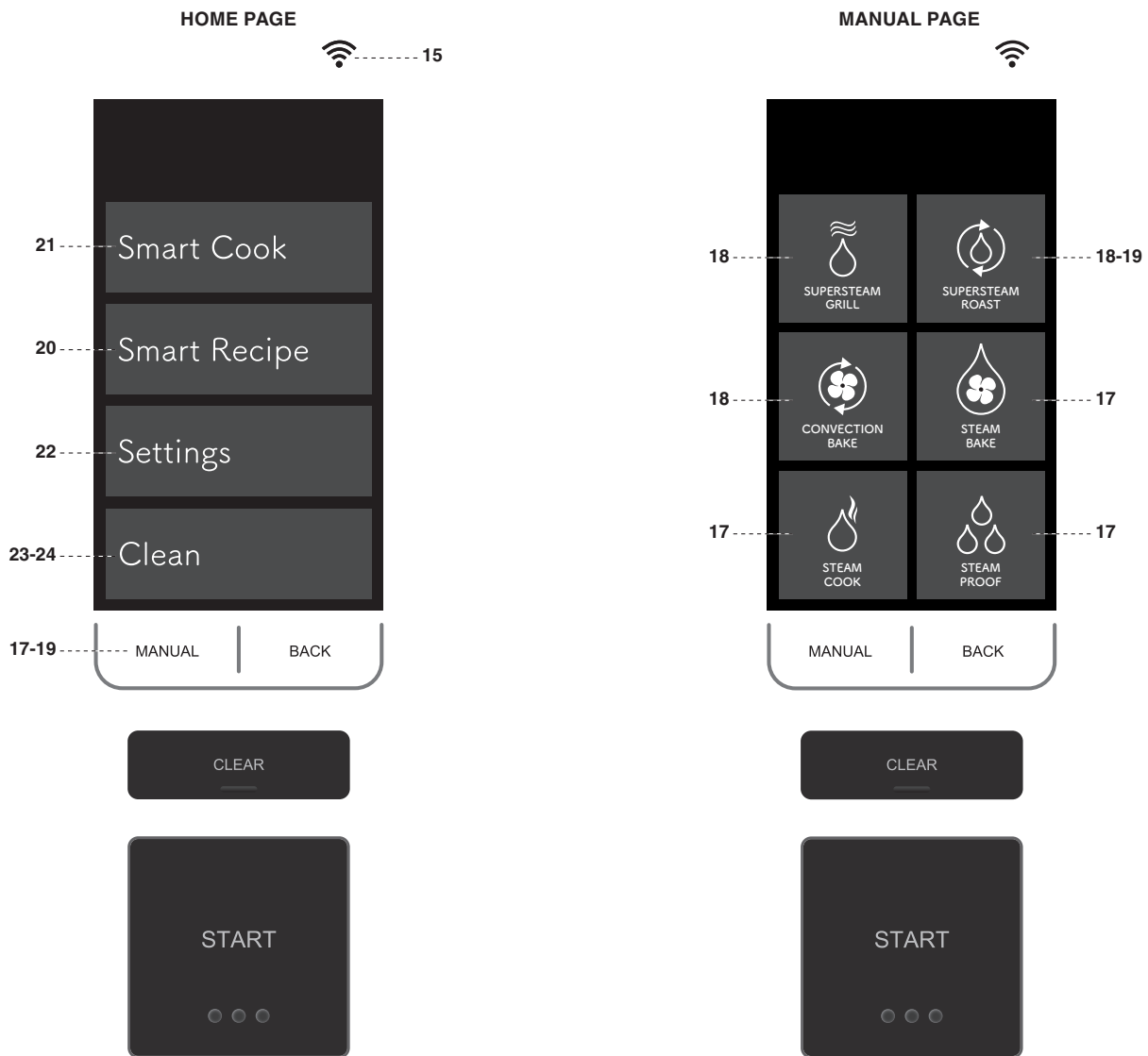
- 20 2 Trays
- 21 2 Racks



PRODUCT OVERVIEW

CONTROL PANEL

Numbers next to the control functions indicate pages on which there are feature descriptions and usage information.



STAGE LIGHT

The oven has an LED light that shines down to beautifully illuminate your cuisine. This light is useful for checking doneness after cooking to determine if more time is needed, or for taking a photograph to share with your friends.

FOR BEST USE:

CAUTION Always use caution when opening the oven door. The oven door, oven interior, racks, trays, cooking dishes and steam are extremely hot, and will cause injury if you touch any of the interior or stand with your face directly in front of the exiting steam. Use dry oven mitts or potholders to handle the trays.

1 Open the door completely and let it lie flat horizontally after cooking cycle has completed.

2 Carefully slide the cooking tray to rest in the bottom position on the door. This is the optimal position to take advantage of the stage light.

3 Slowly lift the farthest edge of a dish's covering and oven safe cooking bags away from the face.

4 Check food for doneness, using the United States Department of Agriculture's recommended temperatures.

5 If food requires additional cooking time, carefully slide the tray back into the oven and follow the instructions on the keypad to add additional cooking time.

6 Photograph food and share with your friends on social media if desired.

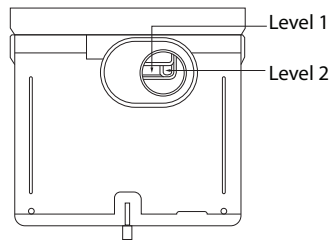
7 When finished, remove the food and carefully slide the tray back into position inside of the oven.

READ CAREFULLY BEFORE COOKING

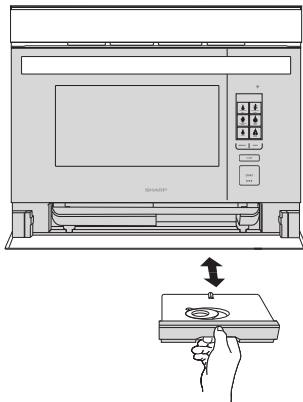
WATER RESERVOIR

Filling the reservoir with fresh cold tap water is necessary for all Steam functions in both Smart and Manual Cooking. Follow the directions below before cooking.

- 1 Pull the reservoir toward you to remove.
- 2 Wash the reservoir and lid for first time use.
- 3 Fill the reservoir with fresh cold tap water through the lid to the 2 mark each time you begin to cook. Do not fill the reservoir over the 2 mark.



- 4 Close the lid tightly.
- 5 Reinstall the reservoir, pushing it firmly into place.
- 6 After cooking, empty the reservoir and wash the reservoir and the lid.



NOTES:

- 1 Do not use distilled water or any other liquid.
- 2 An insufficient amount of water in the reservoir may cause an undesired result.
- 3 We recommend that you empty the reservoir every time after cooking. Do not leave the reservoir filled with water in the oven over a day.
- 4 If any messages regarding low levels of water in the water reservoir (e.g., "Fill water reservoir") show on the display during cooking, remove reservoir and refill water.
- 5 Do not drop or damage the reservoir. Heat may cause the reservoir to change shape. Do not use a damaged reservoir. Call a Sharp Authorized Service Center to purchase a replacement part.
- 6 There may be a few water drops when removing the reservoir. Wipe the oven dry with a soft cloth.

- 7 Do not block the air holes on the lid of the reservoir. It will cause trouble during cooking.
- 8 A small amount of water will drain into the drip tray when the reservoir is removed. Empty after cooking.

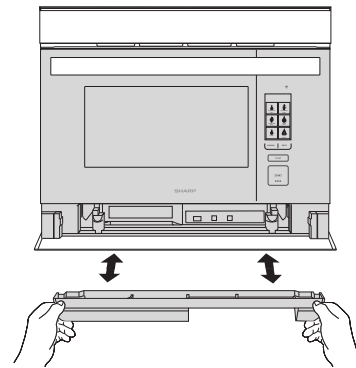
DRIP TRAY

The drip tray must be in the correct position while cooking. For proper operation, follow the directions below.

The drip tray is packed with the oven. Place the drip tray under the oven door as shown below. This drip tray collects the condensation from the oven door.

To remove the drip tray: Pull the drip tray toward you with both hands. Water should not be dripping before removing the drip tray.

To replace the drip tray: Place the drip tray onto the right and left hooks under the oven and push firmly as shown below.



If "Replace drip tray" or "Empty drip tray and replace" is shown on the display, remove and replace the drip tray correctly.

Empty the drip tray each time after cooking. Empty, rinse thoroughly, dry and replace. Cooking repeatedly without emptying the drip tray may cause it to overflow.

WARNING

- 1 The oven will become very hot after cooking and draining water functions.
- 2 Do not open the oven with your face close to the oven. Steam from the oven may cause burns.
- 3 Wait until the oven has cooled before emptying the reservoir and the drip tray. Then, wipe the oven cavity.
- 4 Do not touch the water directly as water in the drip tray may be hot.

Before operating your new oven, read and understand this operation manual completely.

Before the oven can be used, follow these steps:

- 1 Place the drip tray correctly. See Drip Tray section on this page.
- 2 Close the door. Plug in the oven. Check that the display lights.
- 3 Follow directions in the NEW OVEN CLEAN section on page 14 to clean the oven before first use.

BEFORE FIRST USE

CLEAR

Press the CLEAR button to:

- 1 Return to Home Screen.
- 2 Cancel a program during cooking.

BACK

Press BACK if you want to go back to the previous page during programming before pressing START. After pressing START, it is not possible to return to a previous page.

NEW OVEN CLEAN

The steam generator heats the water that is used for cooking. It should be cleaned before the first use to get rid of any odor in the oven cavity. Clean the oven with New Oven Clean in manual operation for 20 minutes without preheat and food. You may notice some smoke and odor during this process. This is normal and the oven does not require servicing.

PREPARATION

- 1 Ventilate the room.
- 2 Fill the reservoir with fresh cold tap water and install.
- 3 Install the empty drip tray.

TO CLEAN THE OVEN BEFORE USE, FOLLOW THESE STEPS.

- 1 Select CLEAN from the Home Screen.
- 2 Select NEW OVEN CLEAN from the list provided.
- 3 Insert all accessories (i.e., two trays, two racks) into the oven.
- 4 Fill the reservoir with fresh cold water. Replace reservoir and press START.
- 5 Once NEW OVEN CLEAN is complete, use caution in opening the oven.

WARNING

- 1 The oven door, outer cabinet and oven cavity will become hot.
- 2 Do not open the oven with your face close to the oven. Steam from the oven may cause burns.

CONNECTING TO YOUR APPLIANCE

The next generation of SuperSteam+ Oven combines the technological enhancements of smart home connectivity with Sharp's innovative fusion of superheated steam and convection cooking oven design:

- Wi-Fi Connectivity
- Mobile App and Voice Control
- New GUI (Graphical User Interface) on oven
- Ability to Upload Favorite Recipes to the oven

Your SuperSteam+ Oven may be operated remotely through a smart device using the SuperSteam+ Oven app in addition to conventional operation in a non-connected capacity using the Control Panel on the oven door. Please be aware that some menu items are only available through download to the oven using the app. To use the app, the appliance must be connected to your home network.

WI-FI CONNECTIVITY

Your steam oven is equipped with Wi-Fi connectivity. The connection is set up manually as outlined in the Wi-Fi CONNECT GUIDE included with the appliance literature.

FAVORITES:

The SuperSteam+ Oven app lets you select and store your Favorite Smart Cook and Smart Recipes in your FAVORITES section.

Click on the heart icon to add your most frequently prepared dishes and upload the presets to your oven for convenience. You may store up to 4 Favorites for Smart Cook and 4 Favorites for Smart Recipe items at a time.

REMOTE START SAFETY INFORMATION

The oven is preset to Remote Start OFF. It must be turned ON to utilize.

When using smart device operation to control the appliance remotely, be sure to follow all safety procedures and guidelines as instructed in the Operation Manual. Failure to do so may result in personal injury, death or damage to property.

IMPORTANT INFORMATION YOU NEED TO KNOW BEFORE USING THE APP TO COOK!

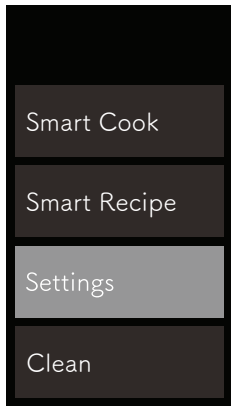
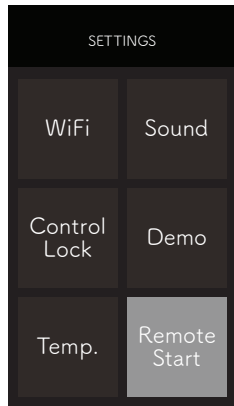
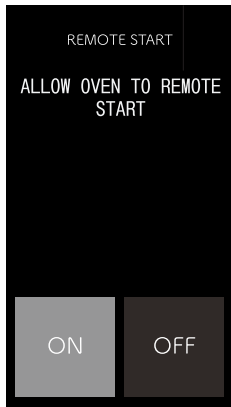
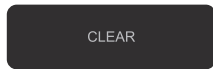
Remote Start must be enabled on the oven control panel before the app may be used to control the oven remotely. This must be done after successfully pairing the app with your oven. (See Wi-Fi Connect Quick Start Guide included with instruction materials for step-by-step instructions on pairing.)

WARNING: If the feature has not been enabled, you must START, PAUSE and CANCEL all preheat and cooking functions at the oven control panel.

Failure to enable REMOTE START may result in the following 2 conditions:

- 1 The app will send a cook menu to download to your oven, but the app will remain fixed in a WAITING mode.
- 2 The app may appear to sync and mirror the preheating and cooking processes, and it may even appear to cancel cooking processes, but the app is not controlling the oven. Once preheating or cooking has started, it **MUST** be stopped at the oven.

TO ENABLE:

 <p>Smart Cook</p> <p>Smart Recipe</p> <p>Settings</p> <p>Clean</p>	 <p>SETTINGS</p> <p>WiFi Sound</p> <p>Control Lock Demo</p> <p>Temp. Remote Start</p>
1. Press Settings pad.	2. Press Remote Start pad.
 <p>REMOTE START</p> <p>ALLOW OVEN TO REMOTE START</p> <p>ON OFF</p>	 <p>CLEAR</p>
3. Press On pad.	4. Press Clear button on oven panel to exit.

Now, all preheating and cooking may be started and stopped using your app.

IMPORTANT NOTE:

- If you activate the appliance remotely, your oven will remain ON and in cooking mode even if your smart device or home Wi-Fi becomes disabled.
- ALWAYS ensure the oven cavity is prepared for cooking when operating the oven remotely with the app. Risk of oven damage or fire could occur. NEVER use the oven interior as a storage device for unrelated items or cook using the app remotely if the cavity is not properly prepared.
- Your oven's Wi-Fi menu will have a pad for CONNECTING and a pad for PAIRING.
 - CONNECTING may be used if a new router is installed in the home and the oven needs to be connected to the Wi-Fi network again.
 - PAIRING may be used if you need to pair your oven to your smart device again and your oven is already connected to the Wi-Fi network.

CONNECTING TO YOUR APPLIANCE

OVEN DISPLAY PANEL OPERATION INACTIVITY NOTE

Condition 1: Non-Interaction with the oven after 20 Minutes of Initiating Cycle

Any navigation taken on the Oven Display Panel is subject to a 20-minute inactivity countdown.

This simply means that after 20 minutes of non-interaction with the oven, the Oven Display Panel will return to the HOME screen (i.e., if the option SMART COOK is touched and no other interaction is made for 20 minutes, the Oven Display Panel will default back to the Home screen).

Condition 2: Non-Interaction with the oven after 20 Minutes upon Preheat Completion

If a Preheat cycle has completed, it is subject to the 20-minute inactivity countdown if there is no interaction with the oven. This simply means that after 20 minutes of non-interaction with the oven, the Oven Display Panel will return to the HOME screen.

However, if after the oven is preheated, the door is opened and closed, there is a 10-minute inactivity countdown. (Note: the 10-minute inactivity countdown is only applicable after preheating and the door has been opened and closed.) If no interaction with the oven is performed after the opening and closing of the door after the preheat has completed, the Oven Display Panel will return to the Home screen.

FIRMWARE UPDATES

From time to time, updates to the oven's software will be released. Notifications will be sent via the SuperSteam+ Oven app for these updates. The firmware updates will be available on the product support page. Please visit www.sharppusa.com/support for more information.

UNPAIRING YOUR DEVICE

To remove the pairing of your smart device with the oven, perform the following steps in your app:

- 1 Select Profile.
- 2 Select My Appliances.
- 3 Swipe Left over the bar that lists your Sharp SuperSteam+ Oven Default.
- 4 Press the icon on the right to unpair the oven from the smart device. This should remove the SuperSteam+ Oven from your appliances list.

COOKING OPERATION

The SuperSteam+ Oven encompasses multiple cooking functions to allow for flexibility and high performance for the best results.

The array of functions ranges from traditional dry heat convection cooking to steam to superheated steam that provides moisture and browning in tandem. Please see below for the categories and capabilities of this unique oven.

- Cooking modes include manual, smart cook and smart recipe.
- Manual mode allows you to fully create your own culinary experience.
- Smart cook guides you through quick and convenient preset cooking options for commonly prepared snacks, meals and desserts.
- Smart recipes are accessed through the app to guide you step by step in creating delicious appetizers, side dishes, entrées and desserts.

MANUAL COOK

The Manual cooking option allows you the freedom to choose and explore the full range of cooking features the SuperSteam+ Oven has to offer. Each manual cooking option is equipped with its specialized function to ensure optimum cooking performance.

NOTE: SPEED COOKING—THE 25-25 RULE

Overall, food cooked in a “Convection Bake” and “Superheated Steam” cook mode is usually done about 25% faster than it is in a conventional oven. Simple Estimation—given a time and temperature from a recipe instruction, reduce the temperature by 25° and the time by 25%. Example: instruction given is 400°F and 20 minutes. Convert to 375°F and 15 minutes.

IMPORTANT: All foods vary so always adjust accordingly for doneness. Refer to required meat doneness guidelines.

THERE ARE 5 MAIN COOKING FUNCTIONS IN MANUAL COOK:

1. STEAM COOK – STEAM GENERATOR CREATES STEAM WHICH IS INSERTED INTO THE OVEN

Steam Cook lets you steam meals of vegetables and delicate fish and meats. Pure steam retains nutrients and moistness. This is ideal for broccoli, salmon, cod and chicken. This works wonderfully to boil eggs or cook your favorite tamales.

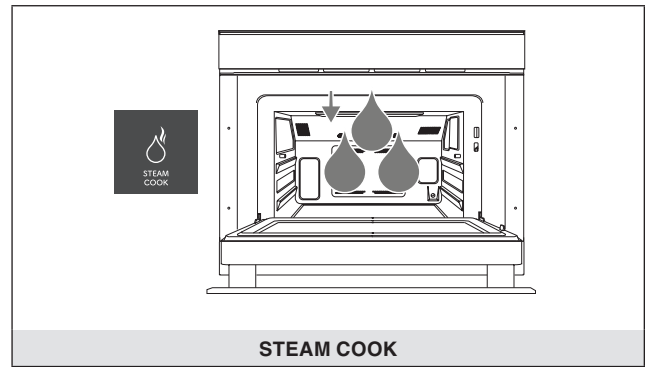
Temperature 212°F - Pure steam

Steam Keep Warm is the best option for items such as casseroles, vegetables and quiches that you want to retain moisture while keeping warm.

Temperature 175°F - Using steam, controls the oven temperature.

Steam Refresh restores the original freshness to leftover dishes such as French bread, hamburger, brown rice, spaghetti noodles and broccoli.

Temperature 130°F - Using steam, controls the oven temperature.



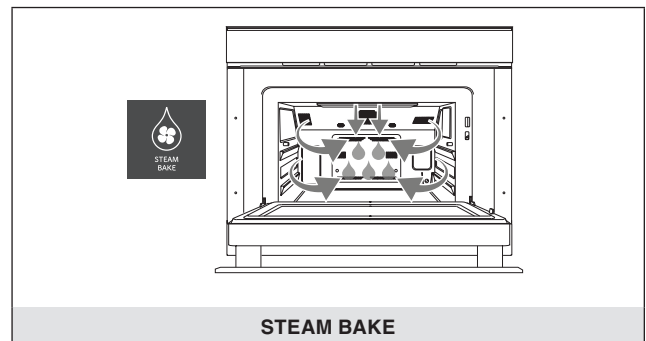
2. STEAM BAKE – COMBINATION OF CONVECTION HEAT AND STEAM

Steam Bake Breads creates delicious bread by injecting steam into the oven during the preheat cycle to promote even rising without the need for spritzing or handling hot pans of water. The setting automatically switches to dry convection heat to produce the desired light and airy interior and golden, crispy outer crust.

Temperature 400°F- 425°F

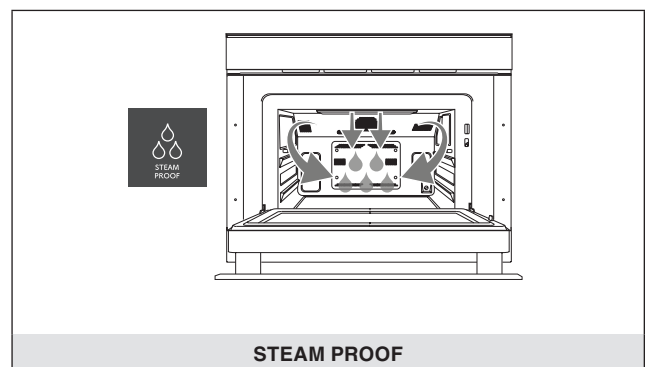
Steam Water Bath bakes creamy desserts such as cheesecake, pudding and custard that normally require a water bath method without handling hot pans of water.

Temperature 275°F - 300°F



Steam Proof dough for breads. The proof function encourages fermentation of dough by yeast through warm temperatures and controlled humidity.

Temperature 100°F

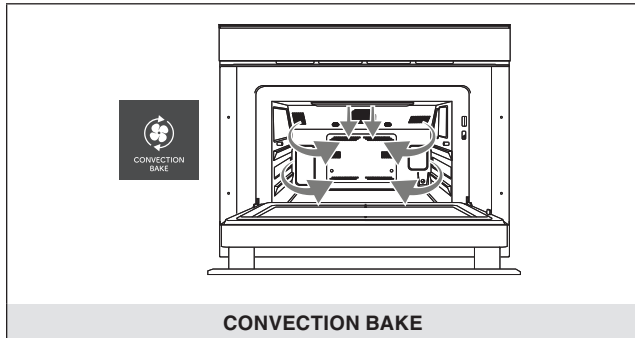


COOKING OPERATION

3. CONVECTION BAKE - DRY HEAT

Convection Bake - Bake traditional and convenience food items such as cookies, cakes, biscuits, pizzas and chicken nuggets using dry heated air that circulates evenly throughout the oven.

Temperature 212°F- 485°F.

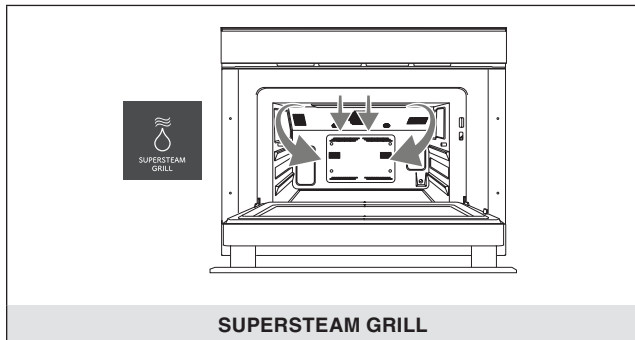


4. SUPERSTEAM GRILL - SUPERCHARGED STEAM AT 485°F

SuperSteam Grill - Create delicious grilled and sautéed items such as fish, vegetables, onions and steak. This setting works like the broil function in a traditional oven for food that cooks for shorter lengths of time at high heat. Give your dish the benefit of steam moistness with targeted superheated steam to create browning.

Temperature 485°F

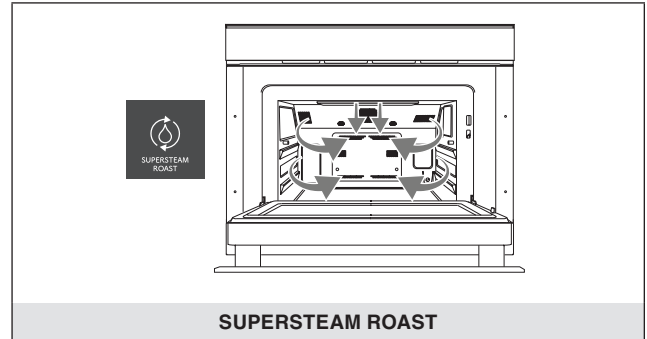
Top Convection Grilling



5. SUPERSTEAM ROAST - SUPERCHARGED STEAM AT 212°F - 485°F

SuperSteam Roast - Roast dishes such as chicken (whole), sweet potato and beef or pork roast. Incorporating steam for food that requires longer cooking times allows it to brown on the outside while maintaining a moist and tender texture inside.

Temperature 212°F - 485°F



COOKING WITH STEAM

Overall, food cooked in a “Convection Bake” and “Superheated Steam” cook mode is usually done about 25% faster than it is in a conventional oven. Simple Estimation—given a time and temperature from a recipe instruction, reduce the temperature by 25° and the time by 25%.

Example: instruction given is 400°F and 20 minutes. Convert to 375°F and 15 minutes.

IMPORTANT: All foods vary so always adjust accordingly for doneness. Refer to required meat doneness guidelines. The Sharp SuperSteam+ Oven also has several Smart Cook settings that are preset cook modes, temperatures and times for a number of select foods to help you to become familiar with the oven’s cooking performance.

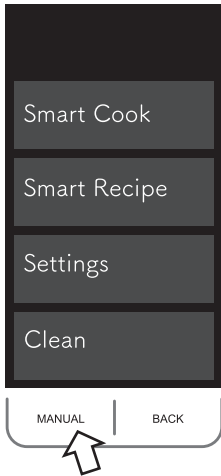
Steam options can be used for smart cook, manual cook and smart recipe modes. See more information about using the various steam options in the descriptions on page 17 in the Manual Cooking section.

STEAM CHART

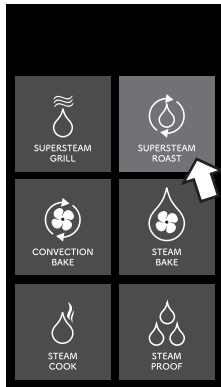
HOME PAGE	MENU SETTING	EXAMPLES	TEMP SETTINGS
STEAM COOK	STEAM COOK	Fish, Vegetables	212°F
	STEAM KEEP WARM	Dinner Plate	175°F
	STEAM REFRESH	Fresh Bread	130°F
STEAM PROOF		Bread Dough	100°F

COOKING OPERATION

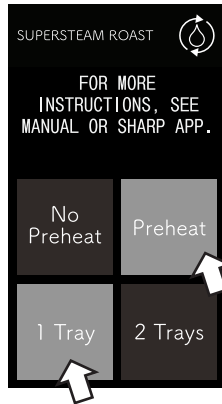
- To cook using SUPERSTEAM ROAST manually:



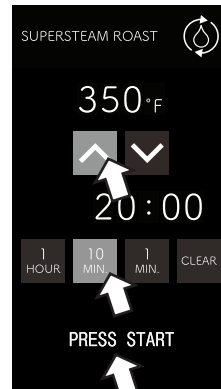
1. Press MANUAL.



2. Press SUPERSTEAM ROAST.



3. Select preheat preference and number of trays.



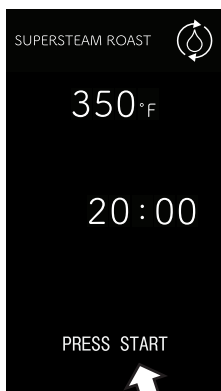
4. Select temperature and time then press START.



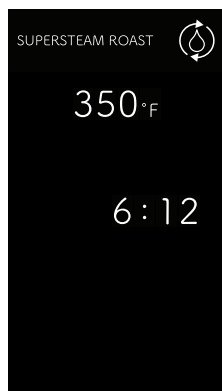
5. Oven is preheating.



6. Place food in the oven.



7. Press START.



8. Cooking time counts down.

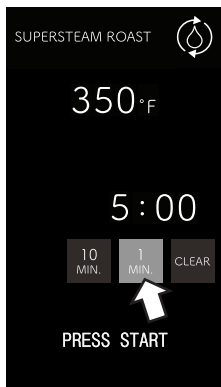


9. Finished cooking.

Option for more cooking time:



10. To add more cooking time, press MORE TIME.



11. Press numbers to add more time, then press START.

COOKING OPERATION

SMART RECIPE

Smart Recipe uses our app to guide you step by step in discovering dishes that have been carefully created for the SuperSteam+ Oven by our chef and tested in our Sharp Test Kitchen. The oven comes preloaded with 12 menu presets for cooking time and temperature (e.g., Lemony Cedar Plank

Salmon, Chocolate Pots de Crème and Stuffed Portabellas with Spinach). As you experiment with new recipes on the app, you will discover new favorites which you can upload to your oven for easy access at the control panel (a total of 4 favorites may be stored at one time).

SMART RECIPE CHART

FOOD CATEGORY	FOOD ITEM	SERVING SIZE	COOKING MODE	TOTAL COOK TIME (MINUTES)
Main Dishes	Lemony Cedar Plank Salmon	2	SuperSteam Grill	8
	Turkey Burgers	4	SuperSteam Grill	14
	Baby Back Ribs	4	SuperSteam Roast	85
			SuperSteam Grill	5
Stuffed Portabellas with Spinach	2	SuperSteam Roast	8	
Side Dishes	Herb Roasted Fingerling Potatoes	4	SuperSteam Roast	25
	Sweet Potato Salad	4	Steam	14
	Roasted Brussels Sprouts	4	SuperSteam Roast	20
	Parmesan Cauliflower	4	SuperSteam Roast	15
Desserts	Mixed Berry Crumble	8	SuperSteam Roast	30
	Chocolate Chip Zucchini Cake	9	Convection Bake	35
	Chocolate Pots de Crème	4	SuperSteam Roast	25
	Morning Glory Bread	8	Convection Bake	50

COOKING OPERATION

SMART COOK

Smart Cook guides you through quick and convenient preset cooking options for weight, cooking time and temperature for commonly prepared items. Your SuperSteam+ Oven comes preloaded with 12 food presets (e.g., Tater Tots, Bacon and Steamed Asparagus). More are available in the SuperSteam+ Oven app. The app also provides tips and creative ideas to help you achieve the best results and discover new favorites which you can upload to your oven for easy access at the control panel (a total of 4 favorites may be stored at one time).

NOTE: The menus included in the automatic cooking options include suggested amounts and average cooking times. Please note that different brands of food items can vary in shape, size, quantity and weight. Please be sure to monitor the food items during cooking to ensure satisfactory completion of the selected automatic menu item.

SMART COOK CHART

FOOD CATEGORY	FOOD ITEM	QTY / WEIGHT	COOKING MODE	TOTAL COOK TIME (MINUTES)
Snacks/Pizza	Fried Breaded Shrimp	16	SuperSteam Roast	10
	Tater Tots	1/2 bag	SuperSteam Roast	20
	Thin Crust	1-10"	Convection Bake	15
	Classic Crust	1-10"	Convection Bake	18
Meat/Fish	Bacon (Thick-Cut)	6 slices	SuperSteam Grill	10
	Drummies/Wingette Pieces	1 lb	SuperSteam Grill	25
	Salmon	6 oz filets (2 each)	Steam	14
	Shrimp	20 (med 26/30 ct)	Steam	5
Fresh Vegetables	Sweet Potatoes	4	SuperSteam Roast	40
	Asparagus	1 lb (30 each)	Steam	8
	Cauliflower/Broccoli	3 servings	Steam	8
	Zucchini/Squash	3 servings	Steam	10

SETTINGS AND DEMO MODES

SETTINGS

In the event that the electrical power supply to your oven should be interrupted, your current input settings will be erased. Simply reset the settings once power is reinstated to the oven.

SOUND

At the end of timed cook or touch of the screen, beeps will sound. The audible signal can be turned off if you prefer quiet operation. Sound is on by default.

TO TURN SOUND OFF

- 1 Press SETTINGS.
- 2 Press SOUND.
- 3 Press OFF.
- 4 Press CLEAR to exit.

TO RESTORE SOUND

- 1 Press SETTINGS.
- 2 Press SOUND.
- 3 Press ON.
- 4 Press CLEAR to exit.

CONTROL LOCK

The Control Lock prevents unwanted oven operation such as by small children. The oven can be set so that the control panel is deactivated or locked.

TO LOCK

- 1 Press SETTINGS.
- 2 Press CONTROL LOCK.
- 3 Hold BACK button for 3 seconds.
- 4 Display shows CONTROL LOCK IS ON.

TO UNLOCK

- 1 Hold BACK button for 3 seconds.
- 2 Display shows CONTROL LOCK IS OFF.
- 3 Press CLEAR to exit.

TEMP

The oven is preset to °F. To change, press SETTINGS then TEMP. Once selection is made, press CLEAR to exit.

DEMO MODE

There are 2 demonstration options available within the Settings menu for learning more about the SuperSteam+ Oven: Video Demo and Working Demo.

VIDEO DEMO

Video Demo mode takes you on a guided tour of the Smart Recipe mode for preparing Lemony Cedar Plank Salmon and the Smart Cook mode to cook Chicken Drumsticks/Wingette Pieces. The video demonstration will continue in a loop until you press CLEAR to exit.

To enter Video Demo

- 1 Press SETTINGS.
- 2 Press DEMO.
- 3 Press VIDEO DEMO.
- 4 Press CLEAR to exit.

WORKING DEMO

Working Demo mode allows you to explore and learn the oven's different functions and cooking modes while the oven is not operational in a cooking capacity. Working Demo mode must be started on the Oven Panel (it cannot be started from the app), but you may use your smart device to send commands to oven from the app while the oven is in Working Demo mode. (In Working Demo, the fan motor will still run, but the oven will not produce heat.) The DEMO icon will appear on the display panel until the steps are taken to turn OFF Working Demo mode.

To enter Working Demo Mode

- 1 At Home Page hold CLEAR until it beeps.
- 2 Press CLEAR 4 times rapidly.
- 3 The DEMO icon will appear on the screen.
- 4 Proceed in DEMO MODE.

To exit Working Demo Mode

- 1 Repeat steps 1 and 2.
- 2 The DEMO icon will be removed.

Note:

- Oven does not heat in Demo Mode.
- Display counts down quickly.

The Sharp SuperSteam+ Oven offers many options to keep the oven clean. From initial cleaning of your new oven to periodic cleaning, the CLEAN menu helps to keep the oven in peak operational condition and maintain a sparkling and fresh appearance.

NEW OVEN CLEAN

This is to be used initially to clean the cavity and the accessories that come with this oven before actual cooking. It is recommended to use New Oven Clean before cooking in the oven in order to ensure starting with fresh, clean cooking instruments.

- 1 Select CLEAN from the home page.
- 2 Select NEW OVEN CLEAN from the list provided.
- 3 Insert all accessories (i.e., two trays, two racks) into the oven. Fill the reservoir with fresh cold water. Replace reservoir and press START.
- 4 Once NEW OVEN CLEAN is complete, use caution in opening the oven.

WARNING

- 1 The oven door, outer cabinet and oven cavity will become hot.
- 2 Do not open the oven with your face close to the oven. Steam from the oven may cause burns.

STERILE CLEANSE

The Sterile Cleanse function assists in cleaning specific items that require extra care in cleanliness. The chart below lists the items that can be used during this function.

- 1 Select CLEAN from the home page.
- 2 Select STERILE CLEANSE from the list provided.
- 3 Select desired level. Please see chart below for suggested items to cleanse on upper or lower level.
- 4 Fill the reservoir with fresh cold water. Replace reservoir and press START.
- 5 Once STERILE CLEANSE is complete, use caution in opening the oven. The door, cabinet and oven may be very hot. Do not open with your face close to the oven. The steam from the oven may cause burns.

LEVEL SELECT	SUGGESTED ITEMS FOR CLEANSING
Upper Level (Rack & Tray)	Canning (Jars and Lids)
Lower Level (Tray)	Blanching Small Cutting Boards

DESCALE

White or gray grains, also called scale, may form in the water circuit inside the oven during steam generation, which could cause the oven to malfunction. The Descal functions helps to break down this scale and keep the oven clean and looking like new.

- 1 Select CLEAN from the home page.
- 2 Select DESCALE from the list provided.
- 3 Fill the reservoir with a mixture of either water and citric acid or lemon juice. Please see chart below for suggested amounts. Replace the reservoir and press START.
- 4 Once oven has completed the cycle, allow the oven to cool down. Then, wipe away any residue remaining with a damp cloth.
- 5 Remove the reservoir, empty, rinse and refill with tap water. Replace reservoir and press START.
- 6 Once the DESCALE function is complete, allow the oven to cool down.
- 7 Once cool, wipe oven cavity to dry. Empty the drip tray.

MIXTURE	AMOUNT
Water and Citric Acid	2 ¹ / ₄ cups water and 1 tablespoon citric acid crystals. Dissolve crystals into water and pour into reservoir.
Water and Lemon Juice	2 ¹ / ₄ cups water and 1/3 cup 100% lemon juice (no pulp). If the lemon juice contains pulp, please strain. Stir well and pour into the reservoir.

Please do not fill the reservoir with alternative cleaning agents not specified in the chart above. Other cleaning agents may damage your SuperSteam+ Oven.

OVEN STEAM CLEANING

The Oven Steam Clean function helps to loosen any grease, oil or food residue. The steam will make the oven easy to clean; however, it is not a self-cleaning function.

- 1 Select CLEAN from the home page.
- 2 Select OVEN CLEANING – STEAM from the list provided.
- 3 Fill the reservoir with fresh, cold water. Press START.
- 4 Once the OVEN CLEANING – STEAM function is complete, allow the oven to cool down.
- 5 Once cool, wipe any residue remaining with a soft, damp cloth.

CLEANING

EXTERIOR

The outside surface is precoated metal and plastic. Clean the outside with mild soap and water; rinse and dry with a soft cloth. Do not use any type of household or abrasive cleaner.

STAINLESS STEEL SURFACE

The exterior should be wiped often with a soft damp cloth and polished with a soft dry cloth to maintain its beauty. There are also a variety of products designed especially for cleaning and shining the stainless exterior of the oven. We recommend that the cleaner be applied to a soft cloth and then carefully used on the stainless exterior rather than sprayed directly on to it. Follow package directions carefully.

FRONT SIDE OF THE OVEN

Wipe the window on both sides with a soft damp cloth to remove any spills or splatters. Metal parts will be easier to maintain if wiped frequently with a soft damp cloth. Avoid the use of spray and other harsh cleaners as they may stain, streak or dull the oven surface.

TOUCH CONTROL PANEL

If desired, the touch pads may be deactivated before cleaning. See the Control Lock information on page 22 of this manual. Wipe the panel with a cloth dampened slightly with water only. Dry with a soft cloth. Do not scrub or use any sort of chemical cleaners. Close oven and follow directions on page 22 for turning Control Lock off. Press CLEAR.

INTERIOR

Cleaning is easy because no heat is generated to the interior surfaces; therefore, there is no baking and setting of spills or spattering. To clean the interior surfaces, including oven sealing surfaces, wipe with a soft damp cloth. **DO NOT USE ABRASIVE OR HARSH CLEANERS OR SCOURING PADS.** For heavier soil, use mild soap; wipe clean with a soft damp cloth. Do not use any chemical oven cleaners.

ODOR REMOVAL

Occasionally, a cooking odor may remain in the oven. To remove odor, combine 1 cup water with $\frac{1}{3}$ cup lemon juice in a 2-cup glass. Boil for several minutes. Leave in the oven until water cools. Wipe interior with a soft cloth.

WATER DRAINING

In the event of excess water being in the SuperSteam+ Oven engine or a steam function that is interrupted during operation, your oven may need to drain to reset itself.

An ATTENTION message will be displayed alerting the need for the oven to drain the water.

Ensure that there is an empty reservoir. If not, empty the reservoir and replace.

The draining of the water into the reservoir will take approximately 1 minute.

Once complete, detach the reservoir and discard the water.

BEFORE YOU CALL FOR SERVICE

Please check the following before calling for service. It may save you time and expense.

PROBLEM	POSSIBLE CAUSE	SOLUTION
1 Part or all of oven does not operate.	<ul style="list-style-type: none"> • Power cord of oven is not completely connected to the electrical outlet. • Power outage. • Fuse/circuit breaker at home doesn't work. • Oven is in Demo Mode. 	<ul style="list-style-type: none"> • Make sure the power cord is tightly connected to the outlet. • Check house lights to be sure. Call your local electric company for service. • Replace the fuse or reset the circuit breaker. • See page 22 for how to cancel Demo Mode.
2 Food in oven is not heated.	<ul style="list-style-type: none"> • No power to the appliance. • Oven controls improperly set. • Oven is in Demo Mode. 	<ul style="list-style-type: none"> • See SOLUTION for PROBLEM 1. • Check if the controls have been properly set. • See page 22.
3 Oven light does not work.	<ul style="list-style-type: none"> • Light bulb is loose or burned out. 	<ul style="list-style-type: none"> • Call for service.
4 Touch controls will not operate.	<ul style="list-style-type: none"> • Control Lock is on. 	<ul style="list-style-type: none"> • See page 22 to unlock.
5 Display flashes.	<ul style="list-style-type: none"> • Power failure. 	<ul style="list-style-type: none"> • Press Clear pad and reset the clock. If the oven was in use, you must reset the cooking function.
6 My app won't start the oven preheat or cooking cycles properly.	<ul style="list-style-type: none"> • Is Remote Start turned ON? 	<ul style="list-style-type: none"> • See instructions on page 15 or the included Wi-Fi Connect Guide for further details to enable Remote Start.
7 I have to press START on the oven even though I pressed START PREHEAT or START COOKING on my app.	<ul style="list-style-type: none"> • Is Remote Start turned ON? 	<ul style="list-style-type: none"> • See instructions on page 15 or the included Wi-Fi Connect Guide for further details to enable Remote Start.
8 My app does not PAUSE, or STOP/CANCEL cooking properly; the oven continues cooking.	<ul style="list-style-type: none"> • Is Remote Start turned ON? 	<ul style="list-style-type: none"> • See instructions on page 15 or the included Wi-Fi Connect Guide for further details to enable Remote Start.

SHARP®

SHARP ELECTRONICS CORPORATION • 100 Paragon Drive • Montvale, New Jersey 07645 • USA

SHARP ELECTRONICS OF CANADA LTD • 335 Britannia Road East • Mississauga, Ontario • L4Z 1W9 • Canada

AVANT DE COMMUNIQUER AVEC LE SERVICE DE RÉPARATION

Veuillez vérifier les points suivants avant d'appeler pour faire une demande de service. Ceci pourra vous faire économiser du temps et de l'argent.

PROBLÈME	CAUSE POSSIBLE	SOLUTION
1 Une partie ou l'ensemble du four ne fonctionne pas.	<ul style="list-style-type: none"> Le cordon d'alimentation du four n'est pas entièrement branché à la prise électrique. Panne de courant. 	<ul style="list-style-type: none"> Assurez-vous que le cordon d'alimentation est bien connecté à la prise. Vérifiez les lumières de la maison pour en être certain. Appellez votre fournisseur d'électricité pour vérifier le service.
2 La nourriture dans le four n'est pas chaude.	<ul style="list-style-type: none"> Aucune alimentation sur l'appareil. Les commandes du four ne sont pas bien configurées. Le four est en mode Démo. 	<ul style="list-style-type: none"> Voir la SOLUTION au PROBLÈME 1. Vérifiez si les commandes ont été configurées adéquatement. Reportez-vous à la page 20.
3 La lumière du four ne fonctionne pas.	<ul style="list-style-type: none"> L'ampoule n'est pas bien vissée ou est brûlée. 	<ul style="list-style-type: none"> Appellez pour faire une demande de service.
4 Les commandes tactiles ne fonctionnent pas.	<ul style="list-style-type: none"> Le verrouillage des commandes est activé. 	<ul style="list-style-type: none"> Reportez-vous à la page 20 pour le déverrouiller.
5 L'écran clignote.	<ul style="list-style-type: none"> Panne de courant. 	<ul style="list-style-type: none"> Appuyez sur effacer sur le clavier et réinitialisez l'horloge. Si le four était en fonction, vous devez relancer la fonction de cuisson.
6 Mon application ne démarre pas correctement les cycles de préchauffage ou de cuisson du four.	<ul style="list-style-type: none"> Le démarrage à distance est-il activé? 	<ul style="list-style-type: none"> Voir les instructions à la page 13 ou le guide de connexion Wi-Fi inclus pour plus de détails sur l'activation du démarrage à distance.
7 Je dois appuyer sur START sur le four même si j'ai appuyé sur START PREHEAT ou START COOKING sur mon application.	<ul style="list-style-type: none"> Le démarrage à distance est-il activé? 	<ul style="list-style-type: none"> Voir les instructions à la page 13 ou le guide de connexion Wi-Fi inclus pour plus de détails sur l'activation du démarrage à distance.
8 Mon application ne fait pas PAUSE ou STOP/CANCEL pas la cuisson correctement; le four continue la cuisson.	<ul style="list-style-type: none"> Le démarrage à distance est-il activé? 	<ul style="list-style-type: none"> Voir les instructions à la page 13 ou le guide de connexion Wi-Fi inclus pour plus de détails sur l'activation du démarrage à distance.

SHARP®

SHARP ELECTRONICS CORPORATION • 100 Paragon Drive • Montvale, New Jersey 07645 • États-Unis

SHARP ELECTRONICS OF CANADA LTD • 335 Britannia Road East • Mississauga, Ontario • L4Z 1W9 • Canada

EXTÉRIEUR

La surface extérieure est recouverte de métal et de plastique. Nettoyez l'extérieur à l'aide d'un savon doux et de l'eau; rincez et séchez à l'aide d'un chiffon doux. N'utilisez aucun produit de nettoyage abrasif.

SURFACE EN ACIER INOXYDABLE

L'extérieur doit être essuyé souvent à l'aide d'un chiffon doux humide et poli à l'aide d'un chiffon doux sec pour conserver son apparence. Il existe également une variété de produits conçus spécialement pour nettoyer et faire briller l'extérieur en acier inoxydable du four. Nous recommandons que le produit de nettoyage soit appliqué sur un chiffon doux, puis utilisé délicatement sur l'extérieur en acier inoxydable plutôt que d'être vaporisé directement sur celui-ci. Suivez soigneusement les instructions apparaissant sur l'emballage.

CÔTÉ AVANT DU FOUR

Essayez la fenêtre de chaque côté à l'aide d'un chiffon doux pour retirer les déversements ou les dégâts. Les pièces de métal seront plus faciles à entretenir si elles sont essuyées régulièrement à l'aide d'un chiffon doux humide. Évitez l'utilisation d'un vaporisateur ou de nettoyeurs abrasifs puisqu'ils peuvent tacher, marquer ou ternir la surface du four.

PANNEAU DE COMMANDE TACTILE

Si vous le souhaitez, vous pouvez désactiver les pavés tactiles avant le nettoyage. Reportez-vous à la section Verrouillage du panneau de commande à la page 20 de ce manuel. Essayez le panneau à l'aide d'un chiffon légèrement mouillé avec de l'eau uniquement. Séchez à l'aide d'un chiffon doux. Ne frottez pas et n'utilisez aucun produit chimique de nettoyage. Fermez le four et suivez les directives apparaissant à la page 20 pour désactiver le Verrouillage du panneau de commande. Appuyez sur CLEAR (effacer).

INTÉRIEUR

Le nettoyage est simple car aucune chaleur n'est générée sur les surfaces intérieures; de ce fait, les déversements et les dégâts ne cuisent pas. Pour nettoyer les surfaces intérieures, incluant les surfaces permettant de sceller l'intérieur du four, essayez à l'aide d'un chiffon doux humide. N'utilisez PAS DE NETTOYANTS ABRASIFS OU DE TAMPONS À RÉCURER. Pour les saletés plus tenaces, utilisez un savon doux; essayez à l'aide d'un chiffon doux humide. N'utilisez pas de produits nettoyeurs pour four.

ÉLIMINATION DES ODEURS

Il arrive parfois qu'une odeur de cuisson demeure dans le four. Pour éliminer celle-ci, combinez 237 ml (1 tasse) d'eau avec 78 ml (1/3 tasse) de jus de citron dans un verre pouvant contenir 473 ml (2 tasses). Faites bouillir pendant plusieurs minutes. Laissez dans le four jusqu'à ce que l'eau refroidisse complètement. Essayez l'intérieur à l'aide d'un chiffon doux.

VIDANGE DE L'EAU

Advenant qu'une quantité trop importante d'eau se retrouve dans le moteur du four SuperSteam+ ou que la fonction de vapeur soit interrompue durant son fonctionnement, votre four devra peut-être être drainé pour se réinitialiser. Un message d'AVERTISSEMENT sera affiché indiquant le besoin de drainer le four du surplus d'eau. Assurez-vous que le réservoir est vide. Si ce n'est pas le cas, videz le réservoir et remplacez-le.

Le drainage de l'eau dans le réservoir prendra environ 1 minute. Une fois ceci terminé, détachez le réservoir et jetez l'eau.

DESCALE (DÉTARTRAGE)

Des grains blancs ou gris, aussi appelés dépôts calcaires, peuvent se former dans le circuit d'alimentation en eau à l'intérieur du four durant la génération de vapeur, ce qui pourrait provoquer un défaut d'alliance du four. La fonction de détartrage permet de décomposer ces dépôts calcaires et de garder le four propre et d'apparence neuve.

- 1 Sélectionnez CLEAN (nettoyer) sur la page d'accueil.
- 2 Sélectionnez DESCAL (détartrage) dans la liste apparaissant.
- 3 Remplissez le réservoir avec un mélange composé d'eau et d'acide citrique ou de jus de citron. Reportez-vous au tableau ci-dessous pour connaître les quantités suggérées. Replacez le réservoir et appuyez sur START (démarrer).
- 4 Une fois que le four a terminé le cycle, laissez-le refroidir. Essayez ensuite les résidus restant avec un chiffon doux humide.
- 5 Retirez le réservoir, videz-le, rincez-le et remplissez-le d'eau du robinet. Replacez le réservoir et appuyez sur START (démarrer).
- 6 Une fois que la fonction DESCAL (détartrage) est terminée, laissez le four refroidir complètement.
- 7 Une fois refroidi, essuyez la cavité du four pour l'assécher. Videz le plateau d'égouttement.

MÉLANGE	QUANTITÉ
Eau et acide citrique (1 cuillère à soupe) de cristaux d'acide citrique. Faites dissoudre les cristaux dans l'eau et versez le mélange dans le réservoir.	532 ml (2 1/4 tasses) d'eau et 15 ml (1 cuillère à soupe) de cristaux d'acide citrique.
Eau et jus de citron	532 ml (2 1/4 tasses) d'eau et 80 ml (1/3 tasse) de jus de citron pur à 100 % (sans pulpe). Filtré le jus de citron si celui-ci contient de la pulpe. Mélangez bien et versez dans le réservoir.

Ne remplissez pas le réservoir avec d'autres agents de nettoyage que ceux apparaissant dans le tableau ci-dessous. Ces derniers pourraient endommager votre four SuperSteam+.

OVEN STEAM CLEANING (NETTOYAGE DU FOUR À LA VAPEUR)

- La fonction de nettoyage du four à la vapeur permet de détacher la graisse, l'huile ou les résidus alimentaires. La vapeur facilitera le nettoyage du four. Il ne s'agit pas cependant d'une fonction d'autonettoyage.
- 1 Sélectionnez CLEAN (nettoyer) sur la page d'accueil.
 - 2 Sélectionnez OVEN CLEANING – STEAM (nettoyage du four – vapeur) dans la liste apparaissant.
 - 3 Remplissez le réservoir d'eau propre froide. Appuyez sur START (démarrer).
 - 4 Une fois que la fonction OVEN CLEANING – STEAM (nettoyage du four – vapeur) est terminée, laissez le four refroidir complètement.
 - 5 Une fois le four refroidi, essuyez les résidus restant avec un chiffon doux humide.

Le four Sharp SuperSteam+ offre plusieurs options de nettoyage. Du nettoyage initial de votre nouveau four au nettoyage périodique, le menu CLEAN (nettoyage) vous aide à conserver le four au meilleur de sa condition opérationnelle en plus d'assurer une apparence propre et étincelante.

NEW OVEN CLEAN (NETTOYAGE D'UN FOUR NEUF)

- Cette étape doit être effectuée initialement pour nettoyer la cavité et les accessoires fournis avec le four avant de procéder à la cuisson. Il est recommandé d'utiliser la fonction New Oven Clean (nettoyage d'un four neuf) pour nettoyer le four afin de vous assurer de cuisiner avec des instruments propres.
- 1 Sélectionnez CLEAN (nettoyer) sur la page d'accueil.
 - 2 Sélectionnez NEW OVEN CLEAN (nettoyage d'un four neuf) dans la liste apparaissant.
 - 3 Insérez tous les accessoires (c'est-à-dire, les deux plateaux, les deux grilles) dans le four. Remplissez le réservoir d'eau propre froide. Replacez le réservoir et appuyez sur START (démarrer).
 - 4 Une fois la fonction NEW OVEN CLEAN (nettoyage d'un four neuf) est terminée, faites attention lorsque vous ouvrirez le four.
- AVERTISSEMENT**
- 1 La porte du four, le châssis du four et la cavité du four deviendront chauds.
 - 2 N'ouvrez pas le four en tenant votre visage près de l'ouverture du four. La vapeur provenant du four peut provoquer des brûlures.

STERILE CLEANSE (NETTOYAGE STÉRILE)

La fonction Sterile Cleanse (nettoyage stérilisé) permet de nettoyer certains articles spécifiques nécessitant d'être très propres. Le tableau ci-dessous contient une liste des articles pouvant être utilisés durant cette fonction.

- 1 Sélectionnez CLEAN (nettoyer) sur la page d'accueil.
- 2 Sélectionnez STERILE CLEANSE (nettoyage stérilisé) dans la liste apparaissant.
- 3 Sélectionnez le niveau désiré. Reportez-vous au tableau ci-dessous pour voir les articles suggérés pour le nettoyage sur le niveau supérieur et le niveau inférieur.
- 4 Remplissez le réservoir d'eau propre froide. Remplacez le réservoir et appuyez sur START (démarrer).
- 5 Une fois la fonction STERILE CLEAN (nettoyage stérilisé) est terminée, faites attention lorsque vous ouvrirez le four. La porte, le châssis et le four peuvent être très chauds. N'ouvrez pas le four en tenant votre visage près de l'ouverture du four. La vapeur provenant du four peut provoquer des brûlures.

SÉLECTION DU NIVEAU	ARTICLES SUGGÉRÉS POUR LE NETTOYAGE
Upper Level (grille et plateau)	Conserve (pots et couvercles)
Lower Level (plateau)	Blanchissage Petites plaques à découper

PARAMÈTRES

Si l'alimentation électrique du four est interrompue, vos paramètres actuels seraient effacés. Réinitialisez simplement les paramètres au retour de l'alimentation électrique.

SON

Des signaux sonores seront émis à la fin du temps de cuisson ou lorsque l'écran est touché. Les signaux sonores peuvent être désactivés si vous préférez un fonctionnement silencieux. Le son est activé par défaut.

ÉTENDRE LES SIGNAUX SONORES

1 Appuyez sur **SETTINGS** (paramètres).

2 Appuyez sur **SOUND** (son).

3 Appuyez sur **OFF** (désactiver).

4 Appuyez sur **CLEAR** (effacer) pour quitter.

POUR ACTIVER LES SIGNAUX SONORES

1 Appuyez sur **SETTINGS** (paramètres).

2 Appuyez sur **SOUND** (son).

3 Appuyez sur **ON** (activer).

4 Appuyez sur **CLEAR** (effacer) pour quitter.

VERROUILLAGE DES COMMANDES

Le verrouillage des commandes a pour but d'empêcher le fonctionnement non désiré du four comme par de jeunes enfants. Le four peut être configuré de façon à ce que le panneau de commande soit désactivé ou verrouillé.

POUR VERROUILLER

1 Appuyez sur **SETTINGS** (paramètres).

2 Appuyez sur **CONTROL LOCK** (verrouillage des commandes).

3 Appuyez pendant 3 secondes sur le bouton **BACK** (retour).

4 L'écran affiche **CONTROL LOCK IS ON** (le verrouillage des commandes est activé).

POUR DÉVERROUILLER

1 Appuyez pendant 3 secondes sur le bouton **BACK** (retour).

2 L'écran affiche **CONTROL LOCK IS OFF** (le verrouillage des commandes est désactivé).

3 Appuyez sur **CLEAR** (effacer) pour quitter.

TEMPÉRATURE

Le four est configuré par défaut en Fahrenheit. Pour modifier ceci, appuyez sur **SETTINGS** (paramètres), puis sur **TEMP** (température). Une fois la sélection effectuée, appuyez sur **CLEAR** (effacer) pour quitter.

DEMO MODE (MODE DÉMO)

Il existe deux options de démonstration disponibles dans le menu **Settings** (paramètres) pour en savoir plus à propos du four **SuperSteam+** : **Video Demo** (démonstration vidéo) et **Working Demo** (démonstration de fonctionnement).

VIDEO DEMO (DÉMO VIDÉO)

Le mode **Video Demo** (démonstration vidéo) vous fait faire une visite guidée du mode **Smart Recipe** (recette intelligente) pour préparer le **Lemony Cedar Plank Salmon** (saumon citronné sur planche de cèdre) et le mode **Smart Cook** (cuisson intelligente) pour faire la cuisson des **Chicken Drumsticks/Wingettes** (pilons et cuisses de poulet). La démonstration vidéo continuera en boucle jusqu'à ce que vous appuyez sur **CLEAR** (effacer) pour quitter.

Pour entrer dans le mode Video Demo (démonstration vidéo)

1 Appuyez sur **SETTINGS** (paramètres).

2 Appuyez sur **DEMO** (démonstration).

3 Appuyez sur **VIDEO DEMO** (démonstration vidéo).

4 Appuyez sur **CLEAR** (effacer) pour quitter.

WORKING DEMO (DÉMO DE FONCTIONNEMENT)

Le mode **Working Demo** (démonstration de fonctionnement) vous permet d'explorer et d'apprendre les différentes fonctions et modes de cuisson pendant que le four n'est pas en fonction. Le mode **Working Demo** (démonstration de fonctionnement) doit être lancé sur le panneau de commande du four (il ne peut pas être lancé dans l'application), mais vous pouvez utiliser votre appareil intelligent pour envoyer des commandes à partir de l'application pendant que le four est en mode **Working Demo** (démonstration de fonctionnement). (En mode **Work Demo** (démonstration de fonctionnement), le moteur du ventilateur continuera de fonctionner, mais le four ne produira aucune chaleur.) L'icône **DEMO** (démonstration) apparaîtra sur le panneau d'affichage jusqu'à ce que les étapes soient prises pour éteindre le mode **Working Demo** (démonstration de fonctionnement).

Pour entrer dans le mode Working Demo (démonstration de fonctionnement)

1 À la page d'accueil, maintenez enfoncé le bouton **CLEAR** (effacer) jusqu'à ce que vous entendiez un signal sonore.

2 Appuyez sur **CLEAR** (effacer) quatre fois rapidement.

3 L'icône **DEMO** (démonstration) apparaîtra à l'écran.

4 Procédez au **DEMO MODE** (mode démonstration).

Pour quitter le mode Working Demo (démonstration de fonctionnement)

1 Répétez les étapes 1 et 2.

2 L'icône **DEMO** (démonstration) disparaîtra.

Remarque :

• Le four ne chauffe pas en **Demo Mode** (mode démonstration).

• L'affichage effectue un compte à rebours rapide.

FONCTIONNEMENT DE LA CUISSON

télécharger dans votre four pour y accéder facilement à partir du panneau de commandes (un total de 4 favoris peuvent être stockés simultanément).

REMARQUE : Les menus comprennent des options de cuisson automatique incluant les quantités suggérées et les temps de cuisson moyens. Veuillez noter que les aliments peuvent varier dans leur forme, leur taille, leur quantité et leur poids. Assurez-vous de surveiller les aliments durant la cuisson afin de vous assurer que les articles du menu de sélection automatique soient cuits adéquatement.

SMART COOK (CUISSON INTELLIGENTE)

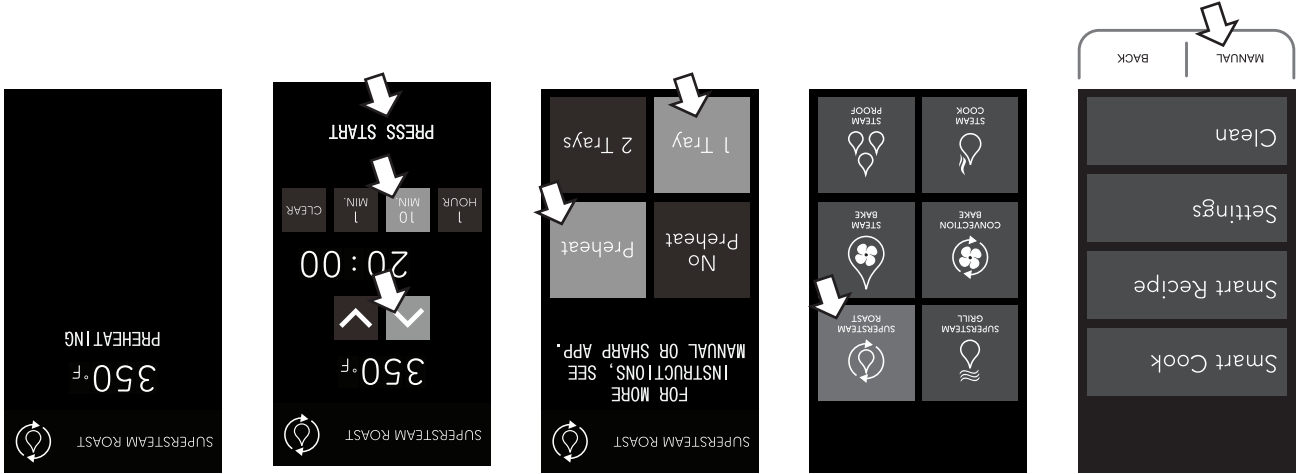
Le mode Smart Cook (cuisson intelligente) vous guide rapidement à travers des options prédéfinies de cuisson, rapides et pratiques, de temps de cuisson et de température pour des plats courants. Votre four SuperSteam+ est équipé de 12 prééglages (par exemple, Tater Tots, Bacon et Steamed Asparagus). D'autres options sont disponibles dans l'application du four SuperSteam+. L'application offre également des conseils et des idées créatives pour vous aider à obtenir les meilleurs résultats qui soient et découvrir de nouveaux plats favoris que vous pouvez

TABLEAU DE CUISSON INTELLIGENTE

CATÉGORIE D'ALIMENT	RECETTE	QTE / POIDS	MODE DE CUISSON	DURÉE DE CUISSON TOTALE (MINUTES)
Collations / pizza	Fried Breaded Shrimp (crevettes panées frites)	16	SuperSteam Roast (rôtissage SuperSteam)	10
	Tater Tots (pommes de terre râpées et frites)	1/2 sac	SuperSteam Roast (rôtissage SuperSteam)	20
	Croûte mince	1 à 10 po	Convection Bake (cuisson à convection)	15
	Croûte classique	1 à 10 po	Convection Bake (cuisson à convection)	18
Viande / poisson	Bacon (coupe épaisse)	6 tranches	SuperSteam Grill (gril SuperSteam)	10
	Drumettes/Wingette Pieces (pilons et ailes de poulet)	454 g (1 lb)	SuperSteam Grill (gril SuperSteam)	25
	Saumon	Filets de 170 g (6 oz) (2 portions)	Steam (vapeur)	14
	Crevette	20 (moy 26/30)	Steam (vapeur)	5
Légumes frais	Patates douces	4	SuperSteam Roast (rôtissage SuperSteam)	40
	Asperges	454 g (1 lb) (30 unités)	Steam (vapeur)	8
	Choux-fleurs / brocoli	3 portions	Steam (vapeur)	8
	Courgette / courge	3 portions	Steam (vapeur)	10

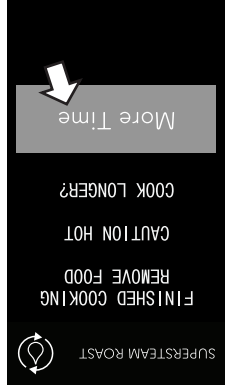
FONCTIONNEMENT DE LA CUISSON

- Pour la cuisson en utilisant la fonction SUPERSTEAM ROAST (rôtissage SuperSteam) :

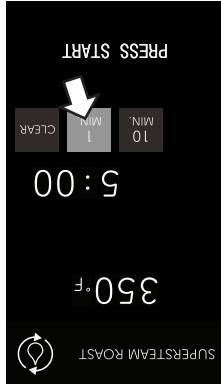


- Appuyez sur **MANUAL (manuel)**.
- Appuyez sur **SUPERSTEAM ROAST (rôtissage SuperSteam)**.
- Sélectionnez la **préchauffage** et le **nombre de plateaux**.
- Sélectionnez la **température** et le **temps**, puis appuyez sur **START (démarrer)**.
- Le four est en **préchauffage**.
- Placez les aliments **au four**.
- Appuyez sur **START (démarrer)**.
- Le temps de cuisson **effectue un compte à rebours**.
- La cuisson est **terminée**.

Option pour ajouter du temps de cuisson :



- Pour augmenter le **TIME (plus de temps)**, appuyez sur **MORE**.

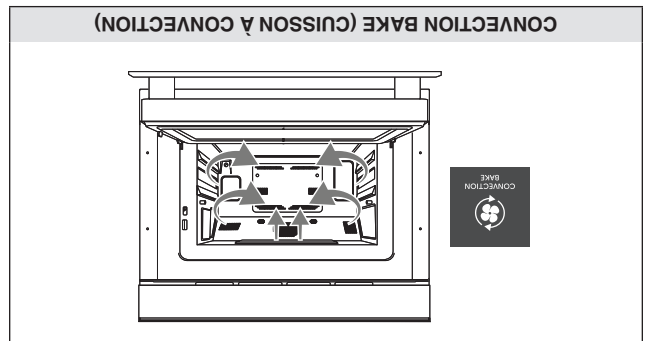


- Appuyez sur les **chiffres** pour ajouter plus de temps, puis appuyez sur **START (démarrer)**.

3. CONVECTION BAKE (CUISSON À CONVECTION) - CHALEUR SÈCHE

Convection Bake (cuisson à convection) - Faites cuire des plats traditionnels et pratiques comme des biscuits, des gâteaux, des pizzas et des croquettes de poulet en utilisant la chaleur sèche qui circule uniformément dans le four.

Température 100 °C à 252 °C (212 °F à 485 °F).

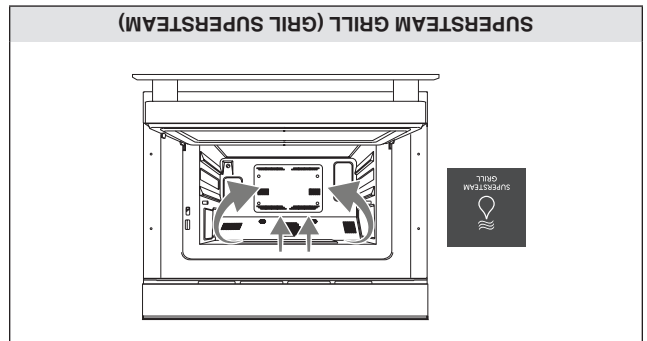


4. SUPERSTEAM GRILL (GRILLAGE SUPERSTEAM) - VAPEUR INTENSE À 252 °C (485 °F)

SuperSteam Grill (grillage SuperSteam) - Créez des plats grillés et sautés délicieux comme du poisson, des légumes, des oignons et du bifteck. Ce réglage fonctionne comme la fonction de rôtissage d'un four traditionnel pour les aliments qui doivent cuire moins longtemps à température élevée. Donnez à votre plat l'avantage de la tendreté avec la vapeur en plus d'une vapeur ciblée intense pour griller.

Température 252 °C (485 °F)

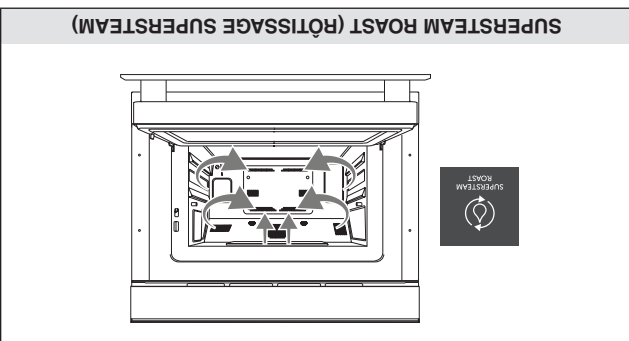
Grillage supérieur à convection



5. SUPERSTEAM ROAST (RÔTISSAGE SUPERSTEAM) - VAPEUR INTENSE À 100 °C À 252 °C (212 °F À 485 °F)

SuperSteam Roast (rôtissage SuperSteam) - Grille des plats comme le poulet (entier), les patates douces et les rôtis de bœuf ou de porc. L'ajout de vapeur à des plats nécessitant une cuisson plus longue permet de griller à l'extérieur tout en conservant l'humidité et la tendreté à l'intérieur.

Température 100 °C à 252 °C (212 °F à 485 °F)



CUISSON AVEC LA VAPEUR

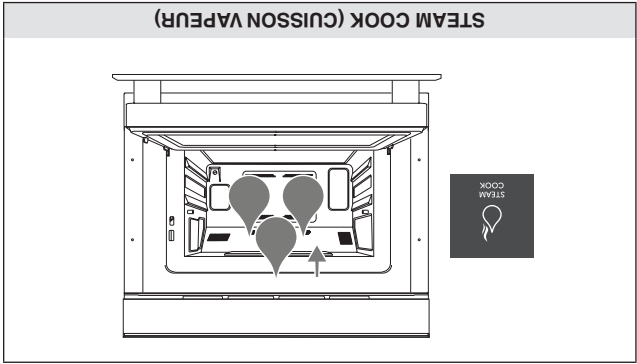
De façon générale, les aliments cuits dans les modes de cuisson « Convection Bake » (cuisson à convection) et « Superheated Steam » (vapeur intense) sont habituellement prêts 25 % plus rapidement que dans un four conventionnel. Estimation simple, selon le temps et la température des instructions d'une recette, réduisez la température de 13 °C (25 °F) et le temps de 25 %. Exemple : les instructions indiquent 204 °C (400 °F) et 20 minutes. Convertissez à 191 °C (375 °F) et à 15 minutes.

IMPORTANT : Tous les aliments varient. De ce fait, ajustez-vous en conséquence. Reportez-vous aux directives de cuisson des viandes. Le four Sharp SuperSteam+ offre également plusieurs paramètres de cuisson intelligente qui sont des modes de cuisson, des températures et des temps de cuisson pré-réglés pour certains aliments qui vous permettront de vous familiariser avec la performance de cuisson du four.

Les options de vapeur peuvent être utilisées pour les modes de cuisson intelligente, de cuisson manuelle et de recettes intelligentes. Pour de plus amples informations sur la façon d'utiliser les différentes options de vapeur, reportez-vous aux descriptions à la page 15 dans la section Cuisson manuelle.

TABEAU DE LA CUISSON À LA VAPUR

PAGE D'ACCUEIL	RÉGLAGE DU MENU	EXEMPLES	RÉGLAGES DE TEMPÉRATURE
STEAM COOK (cuisson vapeur)	STEAM COOK (cuisson vapeur)	Poisson, légumes	100 °C (212 °F)
	STEAM KEEP WARM (réchaud vapeur)	Assiette de repas	79 °C (175 °F)
STEAM PROOF (étuve à la vapeur)	STEAM REFRESH (rafraîchissement à la vapeur)	Pain frais	54 °C (130 °F)
		Pâte à pain	38 °C (100 °F)



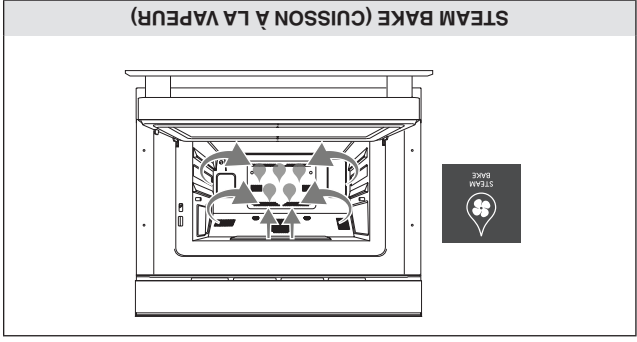
2. STEAM BAKE (CUISSON VAPEUR) – COMBINAISON DE CUISSON PAR CONVECTION ET PAR VAPEUR

Steam Bake Breads (pains à cuisson vapeur) crée un pain délicieux en injectant de la vapeur dans le four durant le cycle de préchauffage afin de permettre une levée uniforme sans avoir à vaporiser ou ajouter des plats remplis d'eau. Le réglage passe automatiquement à la cuisson par convection sèche pour produire une mie légère et une croûte extérieure dorée croustillante.

Température 204 °C à 218 °C (400 °F à 425 °F)

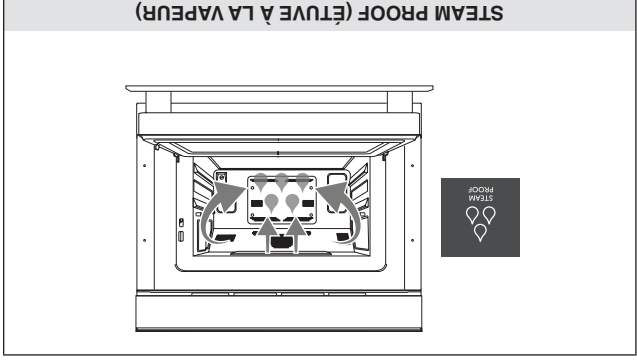
Steam Water Bath (bain-marie à la vapeur) permet de cuire des desserts crémeux comme du gâteau au fromage, du pudding et de la crème pâtissière nécessitant habituellement un bain-marie sans nécessiter de manipuler des plats remplis d'eau chaude.

Température 135 °C à 149 °C (275 °F à 300 °F)



Steam Proof (étuve à la vapeur) pour la pâte à pain. La fonction d'étuve favorise la fermentation de la pâte par la levure grâce à une température tiède et une humidité contrôlée.

Température 38 °C (100 °F)



Le four SuperSteam+ regroupe plusieurs fonctions de cuisson offrant plus de flexibilité ainsi qu'une performance élevée pour de meilleurs résultats.

La gamme de fonctions inclut la cuisson à convection sèche en passant par la vapeur et la vapeur intense qui allie humidité et grillage. Reportez-vous ci-dessous pour connaître les catégories et les capacités de ce four unique.

- Les modes de cuisson comprennent les modes manuel, cuisson intelligente et recette intelligente.
- Le mode manuel vous permet de créer votre propre expérience culinaire.
- La cuisson intelligente vous guide à travers des options de cuisson pré-réglées rapides et pratiques pour les collations, repas et desserts préparés régulièrement.
- Les recettes intelligentes sont accessibles par l'entremise de l'application pour vous guider étape par étape afin de créer des hors-d'œuvre, des plats d'accompagnement, des entrées et des desserts délicieux.

CUISSON MANUELLE

L'option de cuisson manuelle vous offre la liberté de choisir et d'explorer une gamme complète d'options de cuisson offertes par le four SuperSteam+. Chaque option de cuisson manuelle est équipée d'une fonction spécialisée pour assurer une performance de cuisson optimale.

REMARQUE : VITESSE DE CUISSON – LA RÉGLE DU 25-25
De façon générale, les aliments cuits dans les modes de cuisson « Convection Bake » (cuisson à convection) et « Superheated Steam » (vapeur intense) sont habituellement prêts 25 % plus rapidement que dans un four conventionnel. Estimation simple, selon le temps et la température des instructions d'une recette, réduisez la température de 13 °C (25 °F) et le temps de 25 %. Exemple : les instructions indiquent 204 °C (400 °F) et 20 minutes. Convertissez à 191 °C (375 °F) et à 15 minutes.

IMPORTANT : Tous les aliments varient. De ce fait, ajustez-vous en conséquence. Reportez-vous aux directives de cuisson des viandes.

IL EXISTE 5 FONCTIONS DE CUISSON DANS LA CUISSON MANUELLE :

1. STEAM COOK (CUISSON VAPEUR) – LE GÉNÉRATEUR DE VAPEUR CRÉE DE LA VAPEUR QUI EST ENVOYÉE DANS LE FOUR

Steam Cook (cuisson vapeur) vous permet de cuire à la vapeur des légumes et des poissons et des viandes délicates. La vapeur pure permet de conserver les nutriments et l'humidité. Ceci est idéal pour les brocolis, le saumon, la morue et le poulet. Ce mode est parfait pour faire cuire des œufs ou vos légumes favoris.

Température 100 °C (212 °F) - Vapeur pure

Steam Keep Warm (réchaud vapeur) est la meilleure option pour les plats comme les casseroles, les légumes et les quiches pour lesquelles vous souhaitez conserver l'humidité ainsi que le chaleur.

Température 79 °C (175 °F) - En utilisant la vapeur, contrôlez la température du four.

Steam Refresh (rafraîchissement à la vapeur) redonne la fraîcheur originale aux restants comme le pain français, le hamburger, le riz brun, les spaghettis et le brocoli.

Température 54 °C (130 °F) - En utilisant la vapeur, contrôlez la température du four.

MISE À JOUR DU MICROLOGICIEL

Des mises à jour du logiciel du four sont offertes à l'occasion. Des notifications seront envoyées dans l'application SuperSteam+ Oven pour ces mises à jour. Les mises à jour du logiciel seront disponibles sur la page de soutien du produit. Visitez <http://sharp.ca/support-home.aspx> pour de plus amples informations.

DÉJUMELER VOTRE APPAREIL

Pour annuler le jumelage de votre appareil intelligent avec le four, effectuez les applications suivantes dans votre application :

- 1 Sélectionnez Profil.
- 2 Sélectionnez Mes appareils.
- 3 Glissez vers la gauche sur la barre qui affiche votre four Sharp SuperSteam+ par défaut.
- 4 Appuyez sur l'icône de droite pour annuler le jumelage du four à votre appareil intelligent. Ceci devrait retirer le four SuperSteam+ de votre liste d'appareils.

- Le menu Wi-Fi de votre four aura une touche CONNECTING (connexion) et une touche PAIRING (jumelage).

- La touche CONNECTING (connexion) peut être utilisée si un nouveau routeur est installé dans la maison et le four doit être connecté au réseau Wi-Fi à nouveau.

- La touche PAIRING (jumelage) peut être utilisée si vous devez jumeler votre four avec votre appareil intelligent et votre four est déjà connecté au réseau Wi-Fi.

NOTE D'INACTIVITÉ DU FONCTIONNEMENT DU PANNEAU DE COMMANDE DU FOUR

1^{re} condition : Aucune interaction avec le four 20 minutes après avoir lancé le cycle

Toute navigation prise sur le panneau d'affichage du four peut être sujette à un compte à rebours d'inactivité de 20 minutes.

Ceci signifie simplement qu'après 20 minutes sans interaction avec le four, le panneau de commande du four reviendra à l'écran d'accueil (c'est-à-dire, si l'option SMART COOK (cuisson intelligente) est touchée et qu'aucune autre interaction n'a lieu pendant 20 minutes, le panneau de commande du four reviendra par défaut à l'écran d'accueil).




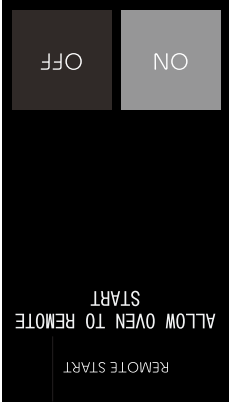
2^e condition : Aucune interaction avec le four 20 minutes après avoir lancé l'achèvement du préchauffage

Si un cycle de préchauffage est complet, il est sujet à un compte à rebours d'inactivité de 20 minutes s'il n'y a aucune autre interaction avec le four. Ceci signifie simplement qu'après 20 minutes sans interaction avec le four, le panneau de commande du four reviendra à l'écran d'accueil.

Si la porte du four est ouverte et fermée une fois le four préchauffé, il y aura un compte à rebours d'inactivité de 10 minutes. (Remarque : Le compte à rebours d'inactivité de 10 minutes est seulement applicable après le préchauffage et que la porte ait été ouverte et fermée.) Si aucune interaction avec le four n'est effectuée après l'ouverture et la fermeture de la porte une fois le préchauffage terminé, le panneau d'affichage du four reviendra à l'écran d'accueil.

2 L'application peut sembler synchroniser et refléter les processus de préchauffage et de cuisson, et elle peut même sembler annuler les processus de cuisson, mais l'application ne contrôle pas le four. Une fois que le préchauffage ou la cuisson a commencé, il DOIT être arrêté au four.

ADMETTRE :

<p>2. Appuyez sur Remote Start (démarrage à distance).</p> 	<p>1. Appuyez sur Settings (réglages).</p> 
<p>4. Appuyez sur le bouton CLEAR sur le panneau du four pour quitter.</p> 	<p>3. Appuyez sur On (sur).</p> 

Maintenant, tous les préchauffages et cuissons peuvent être démarrés et arrêtés à l'aide de votre application.

REMARQUE IMPORTANTE :

- Si vous activez l'appareil à distance, votre four restera en MARCHÉ et en mode de cuisson même si votre appareil intelligent ou votre Wi-Fi domestique se désactive.

- Assurez-vous que la cavité du four est TOUJOURS prête pour la cuisson lorsque vous opérez le four à distance à l'aide de l'application. Ceci présente un risque de dommage ou d'incendie. N'utilisez JAMAIS l'intérieur du four comme espace de rangement pour des articles divers ou pour effectuer une cuisson à distance si la cavité du four n'a pas été préparée adéquatement.

La nouvelle génération de four SuperSteam+ combine dans un four les améliorations technologiques de la connectivité de maison intelligente avec la technologie novatrice de vapeur intense de Sharp et la cuisson à convection.

- Connectivité Wi-Fi
 - Application mobile et commandes vocales
 - Nouvelle interface utilisateur graphique (IUG) sur le four
 - Capacité de téléverser vos recettes préférées dans le four
- Votre four SuperSteam+ peut être opéré à distance à l'aide d'un appareil intelligent utilisant l'application SuperSteam+ Oven en plus de l'utilisation conventionnelle non connectée en utilisant le panneau de commande sur la porte du four. Soyez avisé que certains éléments du menu sont uniquement disponibles par téléchargement vers le four à l'aide de l'application. Pour utiliser l'application, l'appareil doit être connecté à votre réseau domestique.

CONNECTIVITÉ WI-FI

Votre four à vapeur est muni d'une connectivité Wi-Fi. La connexion est configurée manuellement comme décrit dans le GUIDE DE CONNEXION Wi-Fi inclus avec la documentation de l'appareil.

FAVORIS :

L'application SuperSteam+ Oven vous permet de sélectionner et stocker vos Cuissons intelligentes et vos recettes intelligentes préférées dans la section FAVORITES (favoris).

Cliquez sur l'icône du cœur pour ajouter les plats que vous préparez le plus souvent et téléversez les préférences vers votre four pour faciliter les réglages. Vous pouvez stocker jusqu'à 4 éléments favoris pour le mode Smart Cook (cuisson intelligente) et 4 éléments favoris pour le mode Smart Recipe (recette intelligente) en même temps.

INFORMATION DE SÉCURITÉ SUR LE DÉMARRAGE À DISTANCE

Le démarrage à distance du four est DESACTIVE. Il doit être ACTIF pour l'utiliser.

Lorsque vous utilisez un appareil intelligent pour contrôler l'appareil à distance, assurez-vous de suivre toutes les procédures et directives de sécurité comme indiqué dans le manuel d'utilisation. Le fait de ne pas respecter ces directives peut entraîner des préjudices personnels, la mort ou des dommages à la propriété. INFORMATIONS IMPORTANTES QUE VOUS DEVEZ SAVOIR AVANT D'UTILISER L'APPLICATION POUR CUISINIER!

Le démarrage à distance doit être activé sur le panneau de commande du four avant que l'application puisse être utilisée pour contrôler le four à distance. Cela doit être fait après avoir de démarrage rapide de Wi-Fi Connect inclus avec le matériel d'instructions pour des instructions pas à pas sur le couplage.) **AVERTISSEMENT :** Si la fonction n'a pas été activée, vous devez DÉMARRER, PAUSE et ANNULER toutes les fonctions de préchauffage et de cuisson sur le panneau de commande du four. **Le fait de ne pas activer le DÉMARRAGE À DISTANCE peut entraîner les 2 conditions suivantes :**

1 L'application enverra un menu de cuisson à télécharger dans

- ### PRÉPARATION
- 1 Aérez la pièce.
 - 2 Remplissez le réservoir d'eau froide du robinet et installez-le.
 - 3 Installez le plateau d'égouttement vide.
- ### SUIVEZ LES ÉTAPES SUIVANTES POUR NETTOYER LE FOUR AVANT L'UTILISATION.
- 1 Sélectionnez CLEAN (nettoyage) sur l'écran d'accueil.
 - 2 Sélectionnez NEW OVEN CLEAN (nettoyage d'un four neuf) dans la liste apparaissant.
 - 3 Insérez tous les accessoires (c'est-à-dire, les deux plateaux, les deux grilles) dans le four.
 - 4 Remplissez le réservoir d'eau propre froide. Replacez le réservoir et appuyez sur START (démarrer).
 - 5 Une fois la fonction NEW OVEN CLEAN (nettoyage d'un four neuf) est terminée, faites attention lorsque vous ouvrirez le four.

⚠ AVERTISSEMENT

- 1 La porte du four, le châssis du four et la cavité du four deviendront chauds.
- 2 N'ouvrez pas le four en tenant votre visage près de l'ouverture du four. La vapeur provenant du four peut provoquer des brûlures.

- 2 Fermez la porte. Branchez le four. Assurez-vous que l'affichage s'allume.
- 3 Suivez les directives dans la section NEW OVEN CLEAN (nettoyage d'un four neuf) apparaissant sur cette page pour nettoyer le four avant la première utilisation.

CLEAR (EFFACER)

Appuyez sur le bouton CLEAR (effacer) pour :

- 1 Retournez à l'écran d'accueil.
- 2 Annulez un programme pendant la cuisson.

BACK (RETOUR)

Appuyez sur BACK (retour), si vous voulez retourner à la page précédente pendant la programmation avant d'appuyer sur START (démarrer). Après avoir appuyé sur START (démarrer), il n'est plus possible de retourner à la page précédente.

NEW OVEN CLEAN (NETTOYAGE D'UN FOUR NEUF)

Le générateur de vapeur chauffe l'eau qui est utilisée pour la cuisson. Il doit être nettoyé avant la première utilisation pour enlever les odeurs qui peuvent être présentes dans la cavité du four. Nettoyez le four avec le processus de NEW OVEN CLEAN (nettoyage d'un four neuf) dans le manuel d'utilisation pendant 20 minutes sans préchauffage et aliments. Vous pourriez détecter un peu de fumée et des odeurs pendant ce processus. Ceci est normal et le four n'a pas besoin d'être réparé.

AVANT LA PREMIÈRE UTILISATION

- Il peut y avoir quelques gouttes qui s'échappent lorsque vous enlevez le réservoir. Essayez le four à l'aide d'un chiffon doux.
- Ne bloquez pas les trous d'air sur le couvercle du réservoir. Cela provoquera des problèmes pendant la cuisson.
- Une petite quantité d'eau s'égouttera dans le plateau d'égouttement lorsque le réservoir est enlevé. Videz après la cuisson.

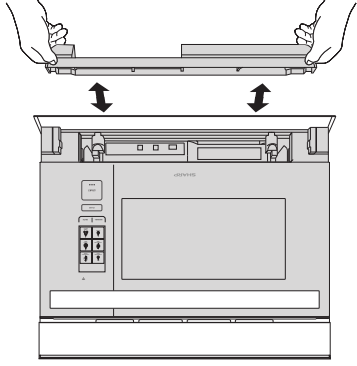
PLATEAU D'ÉGOUTTEMENT

Le plateau d'égouttement doit être correctement positionné pendant la cuisson. Pour un fonctionnement approprié, suivez les directives ci-dessous.

Le plateau d'égouttement est emballé avec le four. Placez le plateau d'égouttement sous la porte du four comme illustré ci-dessous. Ce plateau d'égouttement recueille la condensation provenant de la porte du four.

Pour enlever le plateau d'égouttement : Tirez le plateau d'égouttement vers vous avec les deux mains. L'eau ne doit pas s'égoutter avant d'enlever le plateau d'égouttement.

Pour remettre en place le plateau d'égouttement : Placez le plateau d'égouttement sur les crochets droit et gauche sous le four et poussez fermement comme illustré ci-dessous.



Si le message « Replace drip tray » (remettez le plateau d'égouttement) ou Empty drip tray and replace (videz et remettez le plateau d'égouttement), enlevez et remettez le plateau d'égouttement correctement. Videz, rincez complètement, séchez et remettez en place. Cuisiner à plusieurs reprises sans vider le plateau d'égouttement peut provoquer un débordement de celui-ci.

AVERTISSEMENT

1 Le four deviendra très chaud après les fonctions de cuisson et de vidange d'eau.

2 N'ouvrez pas le four en tenant votre visage près de l'ouverture du four. La vapeur provenant du four peut provoquer des brûlures.

3 Attendez jusqu'à ce que le four refroidisse avant de vider le réservoir et le plateau d'égouttement. Essayez ensuite la cavité du four.

4 Ne touchez pas l'eau directement, car l'eau dans le plateau d'égouttement peut être chaude.

Avant d'utiliser votre nouveau four, lisez et assurez-vous de comprendre complètement le manuel d'utilisation.

Suivez les étapes suivantes avant d'utiliser le four :

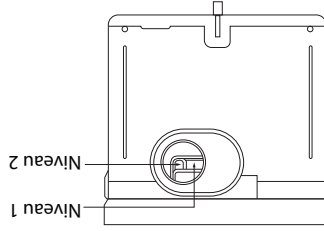
- Placez correctement le plateau d'égouttement. Consultez la section Plateau d'égouttement sur cette page.

LISEZ ATTENTIVEMENT AVANT LA CUISSON

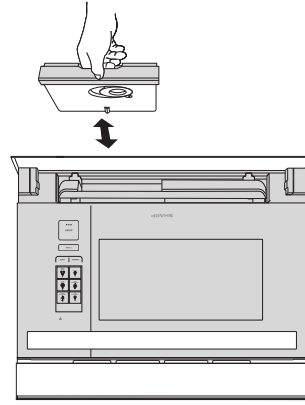
RÉSÉROIR D'EAU

Remplissez le réservoir avec de l'eau froide fraîche est nécessaire pour toutes les fonctions à la vapeur dans les modes de cuisson Smart (intelligent) et Manual (manuel). Suivre les directives ci-dessous avant la cuisson.

- Tirez le réservoir vers vous pour l'enlever.
- Lavez le réservoir et le couvercle pour la première utilisation.
- Remplissez le réservoir d'eau fraîche du robinet à travers le couvercle jusqu'à la marque du 2 à chaque fois avant de commencer la cuisson. Ne remplissez pas le réservoir au-delà de la marque du 2.



- Fermez le couvercle hermétiquement.
- Réinstallez le réservoir, en le poussant solidement en place.
- Après la cuisson, videz le réservoir et lavez le réservoir et le couvercle.



REMARQUES :

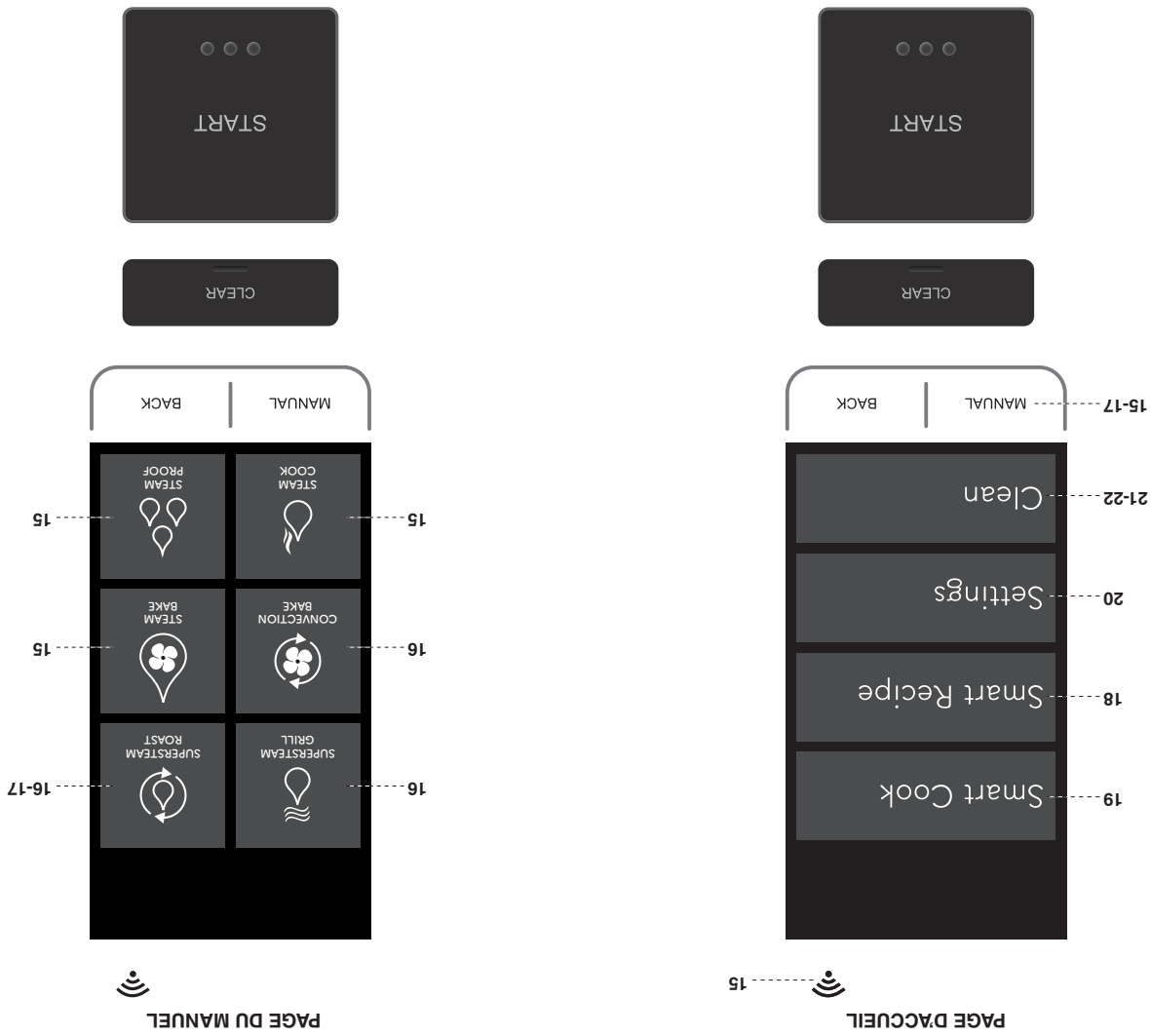
- N'utilisez pas d'eau distillée ou d'autre type de liquide.
- Les résultats pourraient être inattendus, s'il n'y a pas suffisamment d'eau dans le réservoir.
- Nous recommandons que vous vidiez le réservoir chaque fois après la cuisson. Ne laissez pas le réservoir rempli d'eau pendant plus d'une journée.

4 Si des messages indiquant un niveau d'eau bas dans le réservoir (par exemple, « Fill water reservoir » (Remplissez le réservoir d'eau)) s'affichent à l'écran pendant la cuisson, enlevez le réservoir et remplissez-le d'eau.

5 N'échappez pas ou n'endommagez pas le réservoir. La chaleur peut faire changer la forme du réservoir. N'utilisez pas un réservoir endommagé. Appelez un centre de service autorisé Sharp pour acheter une pièce de remplacement.

PANNEAU DE COMMANDE

Les chiffres à côté des fonctions de contrôle indiquent les pages où les fonctions sont décrites et où il y a de l'information d'utilisation.



LAMPE D'APPOINT

Le four est muni d'une lampe d'appoint à DEL qui brillera de tous ses éclats pour illuminer votre cuisine. Cette lampe est utile pour vérifier le niveau de cuisson afin de déterminer si vous devez continuer à faire cuire ou pour prendre une photographie pour partager avec vos amis.

POUR UNE MEILLEURE UTILISATION :

MISE EN GARDE

Soyez toujours prudent lorsque vous ouvrez la porte du four. La porte du four, l'intérieur du four, les grilles, les plateaux, les plats de cuisine et la vapeur sont extrêmement chauds et provoqueront des blessures si vous les touchez à l'intérieur du four ou si vous placez votre visage directement à l'avant de la vapeur qui sort. Utilisez des gants de cuisine secs ou des poignées sèches pour manipuler les plateaux. 1 Ouvrez la porte complètement et laissez-la à l'horizontale après que le cycle de cuisson soit complet.

- 2 Glissez soigneusement le plateau de cuisson pour le positionner dans le bas de la porte. C'est la position optimale pour tirer profit de la lampe d'appoint.
- 3 Soulevez doucement les coins les plus éloignés du couvercle et des sacs de cuisson au four pour diriger la vapeur loin du visage.
- 4 Assurez-vous que les aliments sont cuits selon les températures recommandées par le ministère de l'Agriculture des États-Unis.
- 5 Si les aliments nécessitent un temps de cuisson supplémentaire, glissez soigneusement le plateau à l'intérieur du four et suivez les instructions sur le pavé numérique pour ajouter du temps de cuisson supplémentaire.
- 6 Photographiez les aliments et partagez avec vos amis sur les médias sociaux si désirés.
- 7 Lorsque terminé, enlevez les aliments et glissez soigneusement le plateau à nouveau à l'intérieur du four.

PIÈCES

- 1 Ouverture de ventilation
- 2 Poignée

- 3 Connexion Wi-Fi

- 4 Affichage ACL

- 5 Panneau de commandes

- 6 Plateau d'égouttement

- 7 (voir la page 11)

- 8 Réservoir (voir la page 11)

- 9 Lampe d'appoint

- 10 Lampe du four

- 11 Pieds antibasculement

- 12 Guide de plateau

- 13 Niveau supérieur

- 14 Niveau inférieur

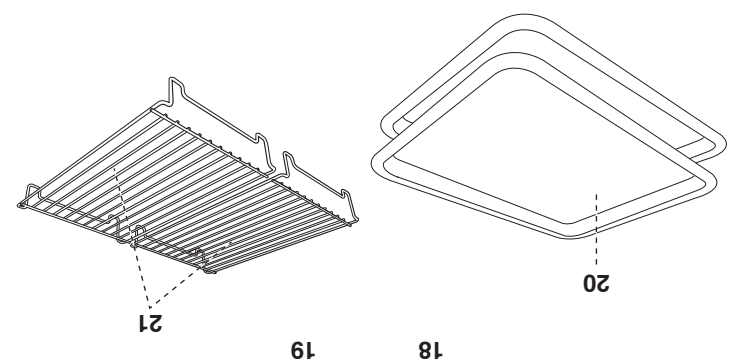
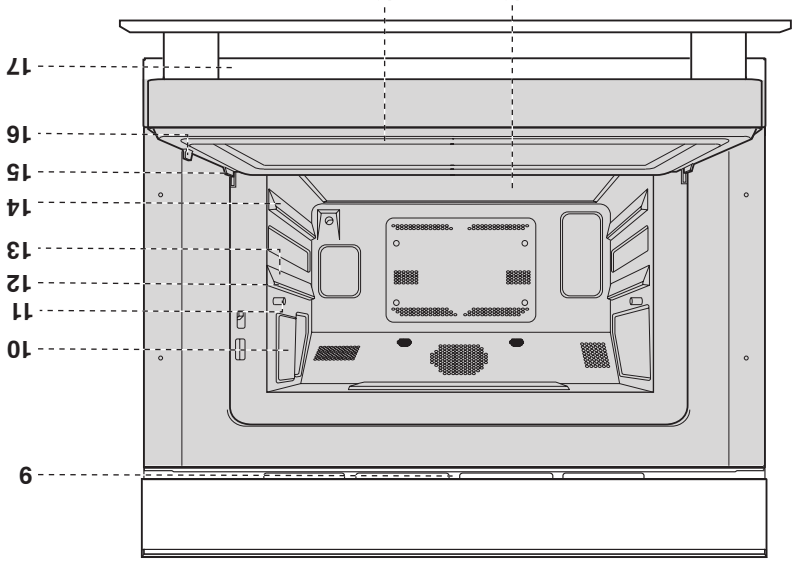
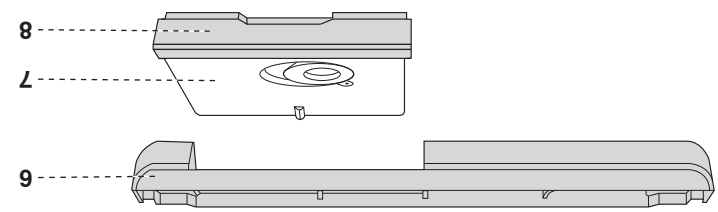
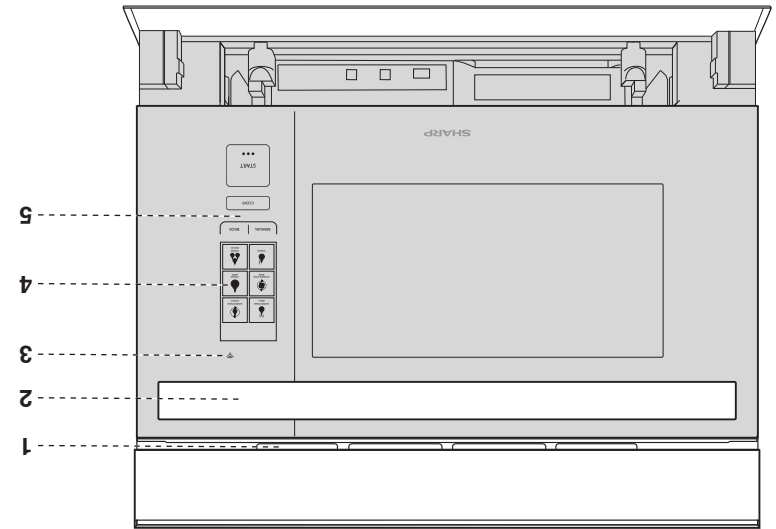
- 15 Charnières de la porte

- 16 Loquets

- 17 Déflecteur d'air

- 18 Porte du four en verre

- 19 Joint d'étanchéité de la porte



- ### ACCESSOIRES
- 20 2 plateaux
 - 21 2 grilles

- N'insérez pas les doigts ou des objets dans les ouvertures de l'orifice de sortie de la vapeur ou les ouvertures de ventilation. Ceci pourrait endommager le four et provoquer des décharges électriques ou des dangers.
- Si des objets tombent dans les ouvertures de ventilation, arrêtez le four immédiatement, débranchez-le et consultez un centre de service autorisé Sharp.
- Ne touchez pas à la fiche avec les mains mouillées lorsque vous insérez ou enlevez de la prise de courant. Branchez solidement dans une prise de courant murale et retirez de la prise en saisissant solidement la fiche. Ne débranchez pas en tirant uniquement sur le cordon.
- Pendant l'utilisation en mode vapeur, la vapeur peut s'échapper du côté droit de la sortie.
- Dans le cas d'un incendie de friture, N'UTILISEZ PAS D'EAU. Éteignez le feu ou les flammes ou utilisez un extincteur avec agent chimique en poudre ou de type mousse.
- N'utilisez jamais votre appareil pour chauffer la pièce.
- Des vêtements amples ou pendants ne devraient jamais être portés pendant l'utilisation de l'appareil.
- Ne faites pas chauffer des récipients alimentaires non ouverts. L'accumulation de pression peut faire éclater le récipient et provoquer des blessures.
- Placez toujours les grilles de four dans la position désirée lorsque le four est froid. Si vous devez les enlever lorsque le four est chaud, soyez prudent pour empêcher les brûlures.

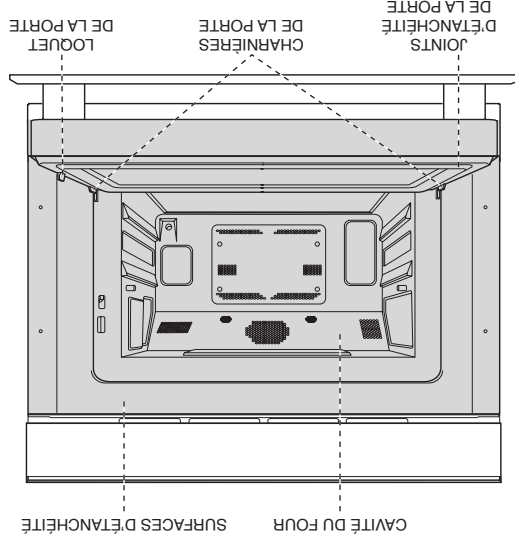
LES ENFANTS ET LA SÉCURITÉ AUTOUR DE L'APPAREIL

Les enfants de moins de 7 ans devraient utiliser le four avec la supervision d'une personne à proximité. Entre l'âge de 7 à 12 ans, la personne qui supervise doit être dans la même pièce. L'enfant doit être en mesure d'atteindre le four de manière confortable; dans le cas contraire, il doit se tenir debout sur un tabouret solide. En aucun moment une personne ne devrait se suspendre ou se balancer sur la porte du four. Les enfants devraient se faire enseigner les mesures de sécurité. N'assumez pas que parce qu'un enfant a maîtrisé une compétence de cuisine, qu'il peut cuire n'importe quoi. Les enfants doivent savoir qu'un four n'est pas un jouet. Les jeunes enfants doivent être supervisés afin de s'assurer qu'ils ne jouent pas avec le four. Les enfants ne devraient pas être laissés seuls ou sans surveillance à l'endroit où l'appareil est en utilisation. On ne doit jamais les laisser s'asseoir ou se tenir debout sur une partie de l'appareil. Ne rangez pas de jouets ou d'autres articles d'intérêt pour les enfants dans les tiroirs ou dans l'armoire ou la zone du comptoir près du four de manière à ce que les enfants ne se blessent pas en essayant de les atteindre.

- Sélectionnez, rangez et manipulez les aliments avec soins pour préserver leur qualité et minimiser la propagation des bactéries alimentaires.
- Soyez prudent lorsque vous retirez des articles du four, de manière à ce que les ustensiles, vos vêtements ou vos accessoires ne touchent pas à la projection de la porte.
- Ne touchez pas autour de la lampe du four. Cette zone devient chaude lorsque la lampe du four est allumée.
- Pour éviter les brûlures, soyez toujours prudent pour ne pas répandre de la graisse provenant du plateau de cuisson lorsque vous enlevez les viandes grillées ou rôties du four.
- Pour éviter les brûlures, toujours vérifiez la température des aliments et des récipients avant de servir. Portez une attention spéciale à la température des récipients, des aliments et des boissons. Ne buvez pas de breuvage ou de soupe sans vérifier la température du récipient.
- Ne touchez pas à la porte du four, l'extérieur du châssis, l'arrière du châssis, la cavité du four, les orifices de ventilation, les accessoires, les plats et la vapeur s'échappant des ouvertures de ventilation pendant l'utilisation parce qu'ils deviendront chauds.
- Ne faites pas fonctionner le four si les réservoirs se fissurent et s'il y a une fuite d'eau. Appelez un centre de service autorisé Sharp pour acheter une pièce de remplacement.
- Après l'utilisation, de l'eau de condensation peut s'accumuler à l'intérieur de la cavité du four, spécialement sur la sole du four. Essuyez et épongez tous les résidus liquides avec une éponge pour garder le four propre.
- Ne déplacez pas le four pendant qu'il fonctionne. Si le four doit être déplacé, toujours vidanger l'eau à l'intérieur du four en utilisant la fonction DRAIN WATER (vidage de l'eau)(voir la page 22). Après avoir effectué la vidange, videz le plateau d'égouttage.
- Pour éviter la condensation, qui pourrait faire rouiller l'appareil, ne laissez pas d'aliments cuits dans le four pendant une période prolongée.
- Nettoyez le four à intervalle régulier et enlevez tous les dépôts alimentaires dans le four et sur la porte.
- N'utilisez pas le four pour faire de la friture.
- Utilisez TOUJOURS des poignées pour éviter les brûlures lorsque vous manipulez les ustensiles qui sont en contact avec des aliments chauds. Surtout, évitez de chauffer des transférées des aliments aux ustensiles pour provoquer des brûlures à la peau. Lorsque vous utilisez les modes SuperSteam (vapeur intense), Steam (vapeur) et Convection, le châssis, l'intérieur et la porte peuvent devenir trop chauds au toucher.
- Ne versez pas d'eau froide sur la sole du four en verre trempé après la cuisson, car elle peut se briser. N'utilisez pas d'eau pour essayer de refroidir l'intérieur du four après l'utilisation.
- Ne versez pas d'eau froide sur la porte, car elle peut se briser.
- Ne touchez pas aux surfaces chaudes.
- L'utilisation d'accessoires non recommandés par le fabricant de l'appareil peut provoquer des blessures.
- Le four ne doit pas être laissé sans surveillance pendant le temps de cuisson trop long peut faire surchauffer les aliments et provoquer un incendie.

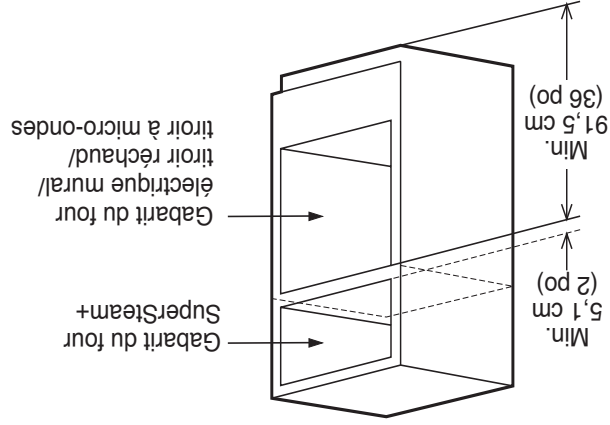
DÉBALLAGE ET VÉRIFICATION DE VOTRE FOUR

- 1 Enlevez tout le matériel d'emballage à l'intérieur du four.
- 2 Enlevez les autocollants de démonstration, s'il y en a. Vérifiez le four pour détecter les dommages possibles, comme un four désaligné ou recourbé, des joints d'étanchéité et des surfaces d'étanchéité du four endommagées, des loquets ou des charnières de portes brisées ou non serrées et des bosses à l'intérieur de la cavité sur l'avant du four. Si vous constatez des dommages, ne faites pas fonctionner le four. Contactez votre détaillant ou un CENTRE DE SERVICE AUTORISÉ SHARP.
- 3 Installez ou positionnez cet appareil uniquement d'après les instructions du manuel d'installation fourni.



CHOIX D'UN EMBLACEMENT POUR VOTRE FOUR

Vous utiliserez souvent votre four, alors, prenez le temps de planifier un emplacement pour faciliter l'utilisation. Votre four peut être encasté dans une armoire ou dans un mur ou au-dessus d'un four encasté ou au-dessus des modèles de tiroir à micro-ondes qui se combinent à ce four. Le four peut être installé sous un comptoir de cuisine, incluant une surface de cuisson ou un îlot de cuisine. Il ne peut être encasté au-dessus d'un four mural au gaz.



AVERTISSEMENT L'utilisation inappropriée de la prise de mise à la terre peut entraîner un risque d'électrocution. **N'utilisez pas de rallonge. Si le cordon d'alimentation est trop court, faites installer une prise de courant près de l'appareil par un électricien ou un technicien qualifié.**

Si vous avez des questions concernant la mise à la terre ou les instructions sur l'électricité, consultez un électricien ou technicien qualifié.

INNOCUITÉ DES ALIMENTS

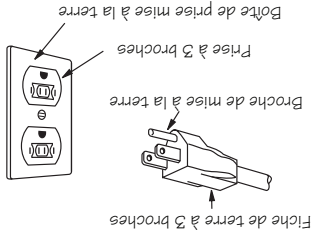
Assurez-vous que les aliments sont cuits selon les températures recommandées par le ministère de l'Agriculture des États-Unis.

160 °F/71 °C	- Pour le porc frais, la viande hachée, le poulet désossé, le poisson, les fruits de mer, les plats à base d'œufs et les mets préparés congelés.
165 °F/74 °C	- Pour les restes de table, les plats prêts à manger; les aliments frais et à apporter de l'épicerie.
170 °F/77 °C	- Viande blanche de volaille.
180 °F/82 °C	- Viande brune de volaille.

Pour vérifier la cuisson, insérez un thermomètre à viande dans une zone épaisse ou dense loin du gras ou d'un os.

- Les pièces accessibles (par exemple, la porte du four, la cavité du four, les plats et les accessoires) peuvent devenir chaudes pendant l'utilisation. Utilisez des poignées ou des gants de cuisine secs lorsque vous retirez des récipients, des aliments et des accessoires du four. assurez-vous de ne pas toucher à la cavité du four pour éviter les brûlures.
- Faites attention lorsque vous ouvrez la porte. Évitez les brûlures provoquées par la vapeur en dirigeant la vapeur en direction opposée du visage et des mains. Tenez-vous toujours loin du four lorsque vous ouvrez la porte.
- Soulevez doucement les coins les plus éloignés du couvercle et des sacs de cuisson au four pour diriger la vapeur loin du visage.
- Restez près du four pendant l'utilisation et vérifiez le progrès de cuisson fréquemment de manière à ne pas trop cuire les aliments.
- **N'utilisez jamais la cavité pour ranger des livres de cuisine ou d'autres articles.**

INSTRUCTIONS DE MISE À LA TERRE



Cet appareil doit être mis à la terre. Le four est équipé d'un cordon avec fil de mise à la terre et une fiche pour mise à la terre. Il doit être branché dans une prise murale installée correctement et mise à la terre conformément au Code national de l'électricité ainsi qu'aux codes et règlements locaux. Dans l'éventualité d'un court-circuit, la mise à la terre réduit le risque d'électrocution en fournissant un fil de sortie pour le courant électrique.

CONSIGNES DE SÉCURITÉ IMPORTANTES

MISE EN GARDE POUR LE RÉSEAU SANS FIL

MISE EN GARDE D'UTILISATION DU WI-FI

- Si vous utilisez l'appareil dans les zones suivantes, le fonctionnement ne peut être garanti : près d'appareil en communication sans fil Bluetooth® utilisant la même fréquence (2,4 GHz) que ce produit ou des appareils sans fil à faible puissance spécifiques. Il peut aussi y avoir des problèmes dans les endroits avec des appareils, comme des fours à micro-ondes, qui émettent un champ magnétique; en plus des zones avec de l'électricité statique ou avec de la perturbation radioélectrique, tout ce qui peut interférer avec le signal Wi-Fi.

- La connexion sans fil et la performance ne peuvent être garanties pour tous les routeurs ou tous les environnements de maison. Dans les endroits suivants, il est possible que le signal Wi-Fi ne puisse atteindre l'endroit ou se déconnecte : à l'intérieur d'un bâtiment fabriqué en béton, en métal renforcé, près d'une obstruction (par exemple, un mur) ou près d'appareil de communication sans fil utilisant la même fréquence.

- Le réseau local sans fil de ce produit correspond aux canaux 1 à 13. Il n'est pas accessible en communication avec les routeurs qui sont configurés avec d'autres canaux.

MISE EN GARDE POUR LES RENSEIGNEMENTS PERSONNELS

(RELATIVE À LA SÉCURITÉ)

- L'utilisation d'un appareil en réseau local sans fil offre la possibilité d'intercepter la communication Wi-Fi, peu importe la configuration du mot de passe.
- Selon l'emplacement où vous connectez votre four, assurez-vous que vous avez les droits et l'accessibilité nécessaires pour connecter l'appareil au réseau Wi-Fi disponible.
- Si vous jetez l'appareil, que vous le donnez ou que vous le vendez à une autre personne, assurez-vous de réinitialiser les paramètres Wi-Fi comme décrits dans ce manuel. La fonctionnalité du réseau local sans fil de l'unité doit être initialisée (réinitialisée) dans le cas d'un transfert à une tierce personne pour éviter un accès illégal par des parties non autorisées.

EXIGENCES MINIMALES POUR LES SPÉCIFICATIONS DU

ROUTEUR/WI-FI :

- Réseau local sans fil compatible IEEE 802.11 b/g/n
- Un débit physique de réception et d'envoi à 72,2 Mbit/s utilisant une bande passante à 20 MHz
- Un débit physique de réception et d'envoi à 150 Mbit/s utilisant une bande passante à 40 MHz
- 802.11i (WPA, WPA2). Service d'authentification ouvert, à clé secrète et à comparaisons appariées.
- Prise en charge Wi-Fi WPS

INFORMATIONS RÉGLEMENTAIRES IMPORTANTES

MISE EN GARDE

Tous changements ou modifications à l'appareil qui ne sont pas expressément approuvés par la partie responsable de la conformité pourraient annuler le droit de l'utilisateur à utiliser l'appareil.

REMARQUE : Cet équipement a été testé et est jugé conforme aux limites d'appareil numérique de classe B, en vertu de la section 15 des règlements de la FCC. Ces limites sont conçues pour offrir une protection raisonnable contre les interférences nuisibles dans une installation résidentielle. Cet équipement génère, utilise et peut émettre de l'énergie de radiofréquence et s'il n'est pas installé et utilisé selon les instructions, elle peut provoquer des interférences nuisibles aux radiocommunications. Cependant, il n'y a aucune garantie qu'une interférence ne se produira pas dans une installation particulière. Si cet équipement provoque une interférence nuisible à la réception radio ou télévisuelle, ce qui peut être déterminé en mettant en marche et en arrêt l'équipement, l'utilisateur devrait essayer de corriger l'interférence en appliquant l'une ou plusieurs des mesures suivantes :

- Réorienter ou relocaliser l'antenne de réception.
- Augmenter la séparation entre l'équipement et le récepteur.
- Brancher l'équipement dans une prise de courant occupant un circuit différent de celui sur lequel le récepteur est branché.
- Consulter le détaillant ou un technicien en radiocommunication qualifié pour obtenir de l'aide.

Four SHARP SuperSteam+ pour la maison N° de modèle SSC2489DS

Cet appareil se conforme avec la section 15 des règlements de la FCC. Le fonctionnement est soumis aux conditions suivantes : (1) Cet appareil ne peut pas provoquer d'interférence nuisible (2) cet appareil peut accepter les interférences reçues, incluant les interférences qui peuvent provoquer un fonctionnement non désiré. Partie responsable :

Sharp Electronics Corporation

100 Paragon Drive, Montvale, NJ 07645

TEL : 1-800-BE-SHARP (ou www.sharpusa.com)

Cet appareil se conforme avec la section 15 des règlements de la FCC. Le fonctionnement est soumis aux deux conditions suivantes : (1) Cet appareil ne peut pas provoquer d'interférence nuisible (2) cet appareil peut accepter les interférences reçues, incluant les interférences qui peuvent provoquer un fonctionnement non désiré.

• Contient FCC : RXX3-B01

• Contient IC : 2878F-B01

CONSIGNES DE SÉCURITÉ IMPORTANTES

VEUILLEZ LIRE TOUTES LES INSTRUCTIONS AVANT D'UTILISER LE FOUR

14 Utilisez cet appareil uniquement pour son utilisation prévue décrite dans ce manuel. N'utilisez pas de produits ou vapeurs chimiques corrosifs dans cet appareil. Cet appareil est spécifiquement conçu pour chauffer, cuire ou sécher les aliments. Il n'est pas conçu pour une utilisation industrielle ou en laboratoire.

15 Ne faites pas fonctionner cet appareil si le cordon ou la fiche sont endommagés, s'il ne fonctionne pas correctement ou s'il a été endommagé ou s'il est tombé.

16 Ne rangez pas ou n'utilisez pas cet appareil à l'extérieur. N'utilisez pas ce produit près de l'eau — par exemple, près d'un évier de cuisine, dans un sous-sol humide, près d'une piscine ou à des emplacements similaires.

17 Ne plongez pas le cordon ou la fiche dans l'eau.

18 Gardez le cordon loin des surfaces chaudes.

19 Ne grimpez pas ou ne vous asseyez pas sur l'appareil.

20 Gardez les doigts et autres objets et matériaux loin de la porte de l'appareil lorsque vous la fermez.

21 Pour nettoyer l'appareil, utilisez uniquement des savons ou détergents doux non abrasifs appliqués avec une éponge ou un chiffon doux. Voir les instructions de nettoyage aux pages 21 à 22.

22 Pour réduire le risque d'incendie dans la cavité de l'appareil : Ne faites pas trop cuire les aliments. Surveillez attentivement l'appareil lorsque du plastique, du papier ou d'autres matériaux combustibles sont placés à l'intérieur de l'appareil pour faciliter la cuisson.

b N'utilisez pas l'appareil à des fins de rangement. Ne laissez pas d'articles en papier, d'ustensiles de cuisson ou d'aliments dans l'appareil lorsqu'il n'est pas en utilisation.

c Les aliments contenant une grosse quantité d'alcool peuvent risquer d'allumer la vapeur dans la cavité du four pendant la cuisson, car l'alcool s'évapore dans la vapeur. N'utilisez pas le four pour préparer des aliments contenant une grande quantité d'alcool. Soyez prudent lorsque vous ouvrez la porte après la cuisson.

23 Si la lampe de l'appareil ne fonctionne plus, veuillez consulter un CENTRE DE SERVICE AUTORISÉ SHARP.

Lorsque vous utilisez l'appareil, des mesures de sécurité de base doivent être prises, incluant les éléments indiqués dans cette section.

AVERTISSEMENT

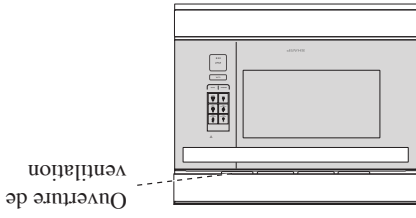
Pour réduire le risque de brûlure, de décharge électrique, d'incendie et de blessures corporelles :

- 1 Lisez toutes les instructions avant d'utiliser l'appareil. Assurez-vous que votre appareil est correctement installé et mis à la terre par un technicien qualifié en conformité avec le manuel d'installation fourni. L'installateur doit noter ou inscrire le circuit/fusible d'alimentation du four dans le tableau à disjoncteurs/fusible.
- 3 N'utilisez jamais votre appareil pour réchauffer ou chauffer la pièce.
- 4 Les enfants ne devraient pas être laissés seuls ou sans surveillance à l'endroit où l'appareil est en utilisation. On ne doit jamais les laisser s'asseoir ou se tenir debout sur une partie de l'appareil.
- 5 Portez des vêtements appropriés. Des vêtements amples ou pendants (collier, manches, écharpes ou cravates) ne devraient jamais être portés pendant l'utilisation de l'appareil. Attachez les cheveux longs de manière à ce qu'il n'y ait pas de risque qu'ils entrent en contact avec le four. Ne réparez pas ou ne remplacez pas de pièces de l'appareil à moins que cela ne soit spécifiquement mentionné dans le manuel. Toutes les autres opérations de service doivent être effectuées par un technicien qualifié.
- 7 Les matières inflammables ne doivent pas être rangées dans le four ou près des éléments de surface.
- 8 N'UTILISEZ PAS D'EAU SUR DES FEUX DE FRIURE! Éteignez le feu ou les flammes ou utilisez un extincteur avec agent chimique en poudre ou de type mousse.
- 9 Utilisez uniquement des poignées sèches. Des poignées humides ou mouillées sur des surfaces chaudes peuvent entraîner des brûlures par la vapeur. N'utilisez pas de serviette ou autre type de chiffon.
- 10 Faites attention lorsque vous ouvrez la porte. Laissez l'air et la vapeur s'échapper avant d'enlever ou remplacer les aliments. Ne faites pas chauffer des récipients alimentaires non ouverts. L'accumulation de pression peut faire éclater le récipient et provoquer des blessures.
- 12 Gardez dégagées toutes les conduites de ventilation et toutes les autres ouvertures sur l'appareil.
- 13 Placez toujours les grilles de four dans la position désirée lorsque le four est froid. Si vous devez les enlever lorsque le four est chaud, soyez prudent pour empêcher les brûlures.

VEUILLEZ CONSERVER CES INSTRUCTIONS

MISE EN GARDE Ne restez pas à proximité et ne bloquez pas la sortie d'air pendant l'expulsion de la vapeur. La vapeur sera chaude.

AVERTISSEMENT Comme mesure de sécurité, le four expulsera périodiquement la vapeur pendant l'utilisation dans les différents modes de cuisson afin de réduire la quantité de vapeur s'accumulant dans la cavité. La vapeur sera expulsée par la sortie d'air au-dessus de la porte, comme illustré.





GARANTIE LIMITÉE POUR LES CONSOMMATEURS AU CANADA Félicitations pour votre achat!

Sharp Electronics of Canada Ltd. (« Sharp ») offre une garantie au premier acheteur pour son produit de la marque Sharp (« Produit »), lorsque livré dans son emballage original et vendu ou distribué au Canada par Sharp ou par un distributeur autorisé Sharp, à condition que le Produit n'ait pas été vendu « en l'état » ou « vente finale », et de plus, Sharp garantit que le Produit pendant la période de garantie applicable, sera exempté de défauts matériels et de fabrication et que Sharp réparera ou remplacera le Produit défectueux pendant la période de garantie pour le premier acheteur.

Cette garantie limitée ne s'applique pas à des éléments d'apparence du Produit, ni à aucun des éléments additionnels exclus énoncés ci-dessous, ni à aucun Produit pour lesquels l'extérieur a été endommagé ou dégradé, qui a été soumis à une tension inappropriée ou une autre mauvaise utilisation, une manipulation ou réparation anormale ou pour lequel le design ou la conception a été altéré ou modifié ou si le numéro de série ou le numéro de modèle apposé au Produit a été enlevé, abîmé, modifié, altéré ou falsifié.

Comment obtenir le service : Dans le cas d'une défaillance de fonctionnement de ce produit Sharp au cours de la période de garantie, le service de garantie est offert par un centre de service autorisé Sharp ou un concessionnaire de services Sharp autorisé. Le service de garantie à domicile sera fourni dans les emplacements accessibles par le véhicule de service routier et dans un périmètre de 50 km d'un centre de service autorisé Sharp. Le technicien du centre de service peut décider d'apporter l'unité au centre de service pour la réparation. Aucun autre personne (incluant le détaillant ou le centre de service Sharp) n'est autorisé de prolonger, agrandir ou transférer cette garantie au nom de Sharp.

Les garanties express dans cette garantie limitée sont, sauf pour les consommateurs résidents du Québec, en lieu et place de et, sauf dans la mesure où cela est interdit par la loi, Sharp rejette toute autre garantie et condition, express ou implicite, que ce soit en vertu de la loi, de la pratique ou des usages du commerce, incluant, sans s'y limiter, les garanties conditions implicites de qualité marchande et/ou de qualité, d'adéquation à un usage où à des fins spécifiques et/ou de garantie contre la contrefaçon. Les limitations (ne s'appliquent pas aux consommateurs résidents au Québec dans les mesures prévues par les lois du Québec) : (a) Sharp ne sera pas responsable des dommages accessoires, spéciaux, consécutifs, économiques, punitifs ou indirects de quelque sorte ou nature (incluant la perte de profit, de temps, d'utilisation ou de données) provenant de ou en relation avec l'utilisation ou la performance d'un Produit ou la défaillance d'un Produit, même si Sharp est au courant ou a été avisé de la possibilité de tels dommages; (b) les correctifs décrits dans cette garantie limitée constituent l'exécution intégrale de toutes les obligations et responsabilités de Sharp envers l'acheteur en lien avec le Produit et constitue la pleine satisfaction de toutes les réclamations, que ce soit fondé sur un contrat, la négligence, la responsabilité sans faute ou au autrement. Certaines provinces peuvent ne pas permettre les exclusions ou les limitations de certains dommages ou limitations sur la durée ou l'annulation des garanties ou des conditions implicites; dans ces provinces, les exclusions et limitations décrites dans la présente peuvent ne pas s'appliquer. Cette garantie limitée est, sauf pour les consommateurs acheteurs au Québec, régie par les lois de la province du Canada dans laquelle l'acheteur a acheté le Produit. Pour les consommateurs acheteurs résidents au Québec, cette garantie est régie par les lois du Québec.

Votre numéro de modèle et la description du produit : Modèle N° SSC2489DS Four SuperSteam+ pour la maison. (Assurez-vous d'avoir cette information à portée de main lorsque vous avez besoin d'assistance pour votre produit.)

Période de garantie de ce produit : Un (1) an sur les pièces et la main-d'œuvre incluant le service à domicile.
Articles supplémentaires exclus de la couverture de la garantie (le cas échéant) : Accessoires non fonctionnels, réservoir, plateau d'égouttage, plateau de la base, plaque à pâtisserie, plateau perforé et ampoule.

Pour obtenir le nom et l'adresse du centre de service autorisé ou détaillant Sharp le plus près, veuillez contacter :

SHARP ELECTRONICS OF CANADA LTD
335 Britannia Road East
Mississauga, Ontario
L4Z 1W9
(905) 568-7140
Site Web : www.sharp.ca

CETTE GARANTIE LIMITÉE EST VALIDE UNIQUEMENT AU CANADA

Pour nous aider à répondre aux questions lorsque vous appelez pour obtenir du service ou signaler une perte ou un vol, utilisez l'espace ci-dessous pour consigner le modèle et le numéro de série situés derrière l'appareil.

Numéro de modèle : _____

Numéro de série : _____

Date d'achat : _____

Nom du détaillant : _____

Adresse : _____

Ville : _____

Province : _____

Code postal : _____

Téléphone : _____

SOUTIEN TECHNIQUE




Si vous avez des questions au sujet de la configuration ou du fonctionnement de votre produit, veuillez consulter la section pertinente dans ce manuel.

Vous pouvez également visiter le <http://sharp.ca/support-home.aspx> pour accéder à du contenu exclusif sur votre produit, notamment pour :

- Trouver un détaillant
- Trouver des points de service
- Télécharger notamment le Guide d'installation, la Fiche technique et le Manuel de l'utilisateur

CONTACTEZ-NOUS

Si, à tout moment, vous avez des questions ou commentaires concernant votre produit SHARP, veuillez contacter le Centre d'assistance à la clientèle SHARP. Nous pouvons vous fournir de l'assistance par divers moyens de communication, pour mieux vous servir :

 <p>COURRIEL Tous les jours, 24 heures sur 24 Consultez la section Contactez-nous sur http://sharp.ca/contact-emailus.aspx notre site.</p>	 <p>SITE DE SOUTIEN Téléchargements de produits, Localisateur de service, Ou acheter, Programme de recyclage de toner et plus encore. CA sharp.ca/support-home.aspx</p>	 <p>APPELEZ-NOUS CA 877-278-6709 Du lundi au vendredi : de 7 h à 19 h HNC Contactez un conseiller Sharp par téléphone</p>
---	--	---

SuperSteam+™ : Modèle SSC2489DS

MANUEL D'UTILISATION

SHARP®

Four SuperSteam+™

MODÈLE
SSC2489DS



2	ASSISTANCE À LA CLIENTÈLE (CANADA UNIQUEMENT).....	11-12
3	GARANTIE LIMITÉE POUR LES CONSOMMATEURS AU CANADA.....	13-14
4-5	CONSIGNES DE SÉCURITÉ IMPORTANTES.....	15-19
5	INFORMATIONS RÉGLEMENTAIRES IMPORTANTES.....	20
6-8	RENSEIGNEMENTS UTILES.....	21-22
9-10	APERÇU DU PRODUIT.....	23
	AVANT DE COMMUNIQUER AVEC LE SERVICE DE RÉPARATION.....	