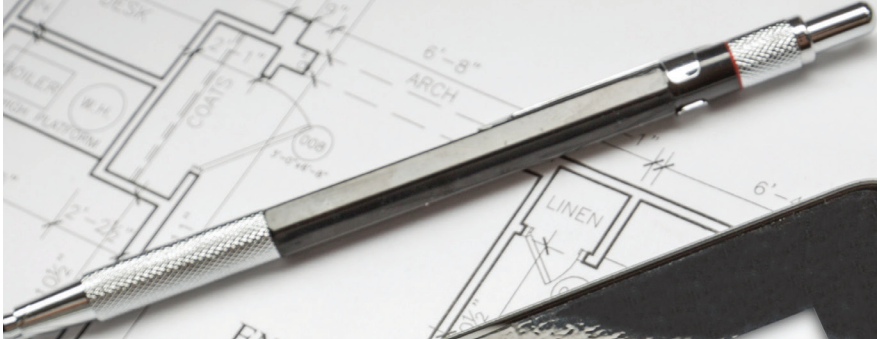


**SHARP**

Be Original.



English | Français

SUPPORT

ABOUT US

# MICROWAVE

## OVENS

Convenience You Can Count On



# DESIGN GUIDE

MICROWAVE OVENS | TEA MAKERS | AIR PURIFIERS | CALCULATOR

# THREE OVENS



# SHARP

There are many options in the marketplace today for cooking appliances. It can be overwhelming choosing the cooking instrument that is right for you – let alone trying to adjust your kitchen to install the new appliance. Whether you are designing your kitchen from scratch in a new home, remodeling an older kitchen, or simply replacing a current appliance, this guide will help you choose the best cooking solution for your kitchen design and help install it properly.

Sharp is a leader in developing innovative solutions for cooking and placement. We offer a full range of microwave, microwave convection and steam oven solutions that can meet your cooking and design needs. Built in configurations for below the counter, above the range, or in combination with a wall oven are just a few options our versatile ovens can offer. Our line of Microwave Drawers allow for unique below the counter installation and our newest member to the Sharp family, the SuperSteam+ Oven, comes built-in ready to be installed in a wall configuration.

**Microwave Drawer Ovens** – Sharp's Microwave Drawer appliance takes the microwave off of the counter and places it right at the most convenient height, making stirring food easier and safer. The drop down angled controls make it ideal for anyone to use the microwave frequently. Most importantly, the Microwave Drawer design provides a sleek, integrated look so that the microwave oven blends in – wherever it goes. Models are available to fit 24" and 30" installations.

**SuperSteam+ Oven** – The stylish, built-in SuperSteam+ combination steam and convection oven is three ovens in one. You can cook with Superheated steam (up to 485°F) regular steam (212°F) and convection heating. A brilliant color LCD display with touch navigation makes SuperSteam+ easy to use. The oven's interface gives you expert guidance and built-in recipes to make the healthy and delicious meals you love. The oven comes built in ready. You can install in both standard and flush configurations, solo or above a wall oven or microwave drawer.

Our goal is to design and build appliance products that are simply easy to use and designed to enhance everyday living. In the following pages, please explore the different microwave and steam oven options and placement ideas Sharp has to offer.

# SHARP

## SUPERSTEAM™ + Oven

Perfection is a touch away  
with the new SuperSteam+™ Oven.



### It's Three Ovens In One, Letting You Cook The Way You Want

Start your epicurean journey, of rediscovering your favourite recipes, with wholesome, fresh, and flavourful ingredients, using cooking methods that don't require large amounts of additional fats, resulting in fewer calories.

Sharp SSC3088AS SuperSteam+ oven does more than just add steam to convection dry heat. With variable steam options, from gentle steam at 90°F to super-heated steam at 485°F, and controlled heated steam flow in upper, mid and lower zones, you can now grill and roast to perfection, simmer and sauté, or use gentle steam for proofing, defrosting and warming.

Combining Steam, Steam+Convection and Convection cooking methods, the Sharp SuperSteam+ oven is truly the ultimate cooking appliance. With Sharp's SuperSteam+ oven you won't have to compromise on taste or appearance.



## Designed For Your Dream Kitchen

Sharps' Microwave Drawer Ovens offer advanced cooking performance, including even cook technology, auto defrost and sensor cook options to bring even greater convenience to the kitchen.

The new 24" and 30" models (SMD2477ASC & SMD3077ASC) add a touch of modern luxury to the Sharp Microwave Drawer Oven family. They instantly update any kitchen design and improve the cooking experience by expanding the options for microwave placement.

With a low profile stainless steel design and concealed display, this premium Sharp Microwave Drawer Oven complements any kitchen and a wide range of kitchen appliances brilliantly. The 45-degree angled control panel opens when needed and seamlessly blends into any kitchen design when not in use.





## Get The Best Of Both Worlds

Sharp SMC1585BS combination convection and microwave oven gives you the best of both worlds. Convection technology gives you perfect roasting, baking and browning while the microwave provides the speed you desire. Convection technology circulates the heated air to cook faster and more evenly.

The turntable for the SMC1585 Series is an elegant glossy white, oven-safe ceramic platter. Easy-to-clean and dishwasher safe, this durable turntable is both food-safe for direct contact cooking and beautiful to bring to the table.

With innovative features like Auto Broil, Auto Roast, Auto Bake, Auto Defrost and the Carousel® turntable system, reheating your favourite foods, snacks and beverages is easy, while modern, brushed stainless steel finish with scratch-resistant glass door complements your style.

With decades of experience designing smart, innovative microwaves, it's easy to see why cooks throughout the world trust Sharp Carousel.



## Convenience You Can Count On

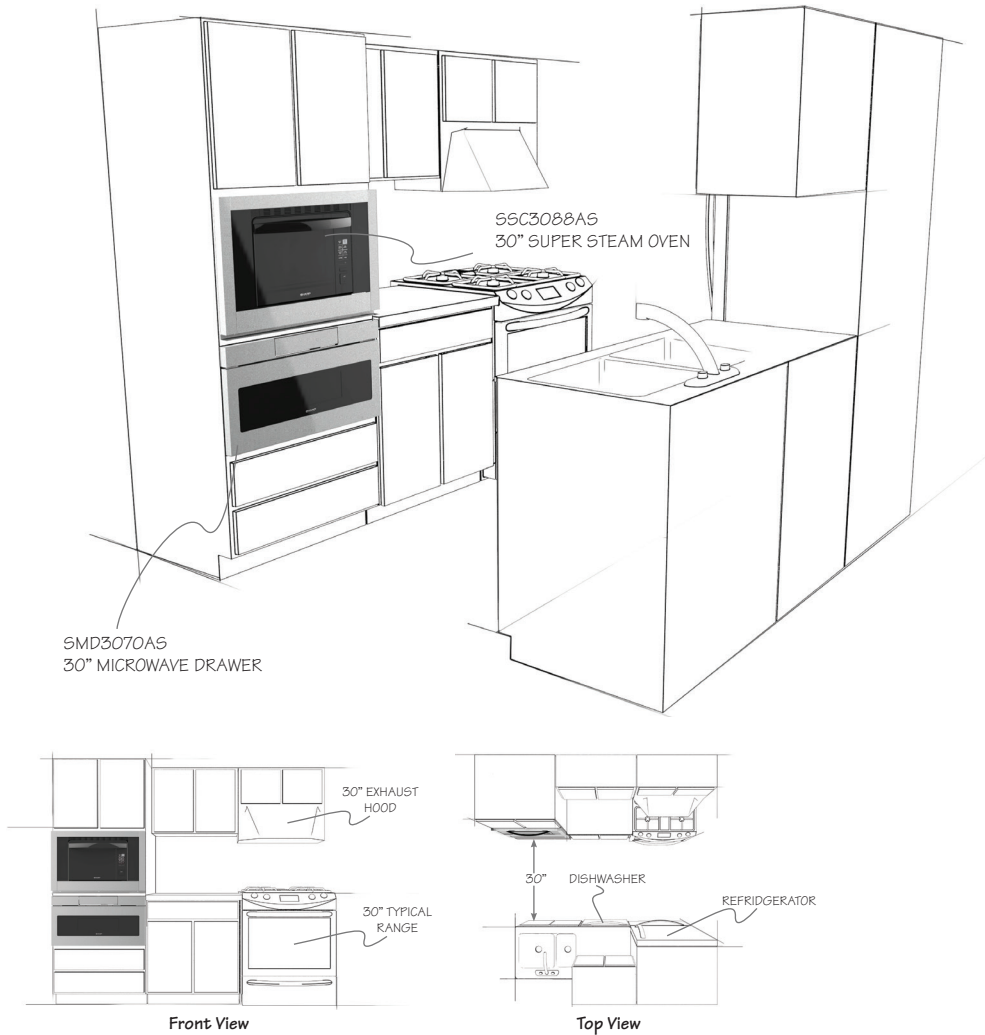
The R-1874 is Sharp's most versatile Over-the-Range microwave oven ever.

Combining convection cooking with microwave energy, it's a wonderful "second oven." This Convection Microwave browns, bakes, broils, crisps, and roasts. There are automatic settings for convection Baking, Roasting and Broiling, as well as sensor settings for microwave cooking.

A generous 1.1 cu.ft. stainless steel interior easily handles a variety of cooking needs, and the easy-fitting designs provide added room with simple installation, offering flexibility for new homes or remodeling projects.

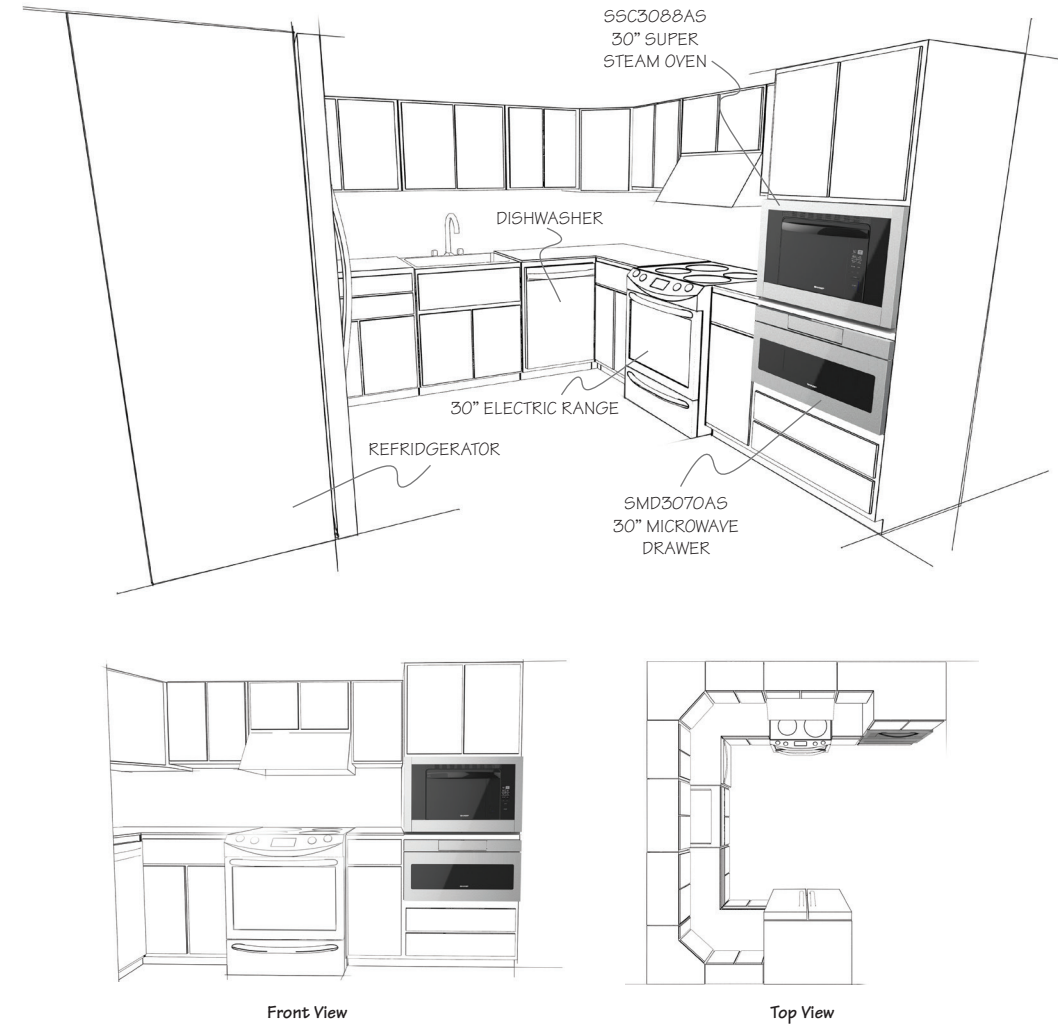
# Alley Or Galley Kitchen

The traditional alley kitchen may be narrow, but that doesn't mean the style options are slim. From cabinetry that reaches the ceiling to bright overhead lighting, an alley style kitchen can be designed as a functional and beautiful space. An alley kitchen's layout is characterized by two parallel countertops that incorporate a walking area in between. The average alley kitchen design will place the sink on one side of the kitchen and the range on the other. This allows for easy back-and-forth during food preparation.



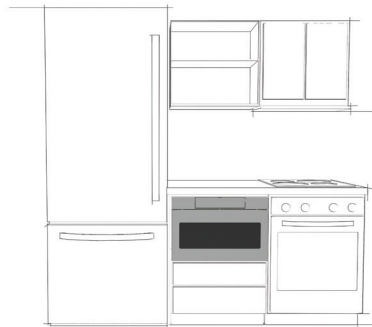
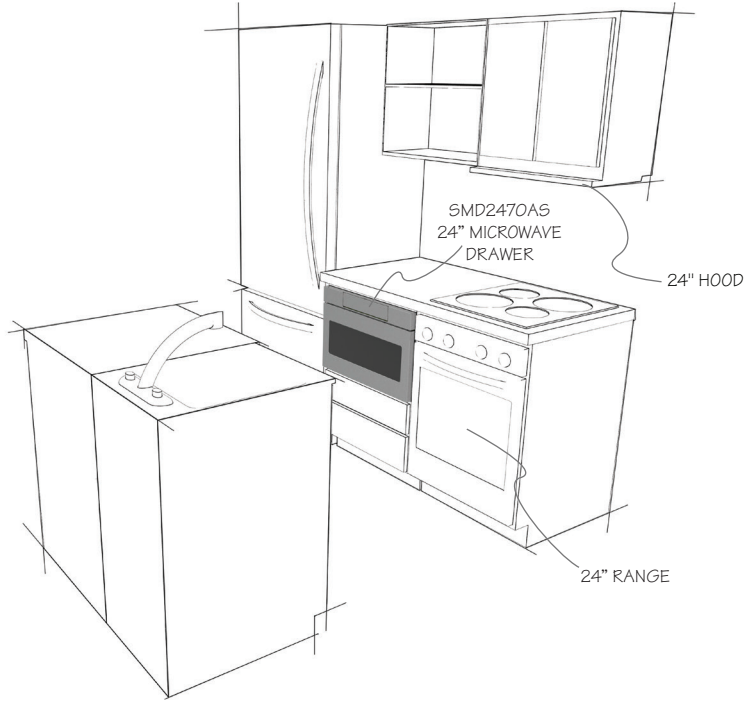
# U-Shaped Kitchen

Shaped like a horseshoe, a U-shaped kitchen layout has three walls that are typically lined with cabinets and kitchen appliances, such as a refrigerator and stove. These kitchens are ideal for creating a large amount of storage and allowing for a free flow of kitchen activity. U-shaped kitchens have begun to incorporate a peninsula as the third "wall," creating a more casual atmosphere that can even allow for pub-style dining with stools.

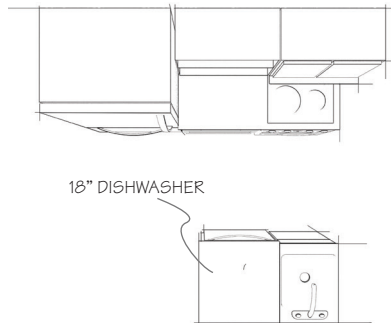


# Micro-Kitchen

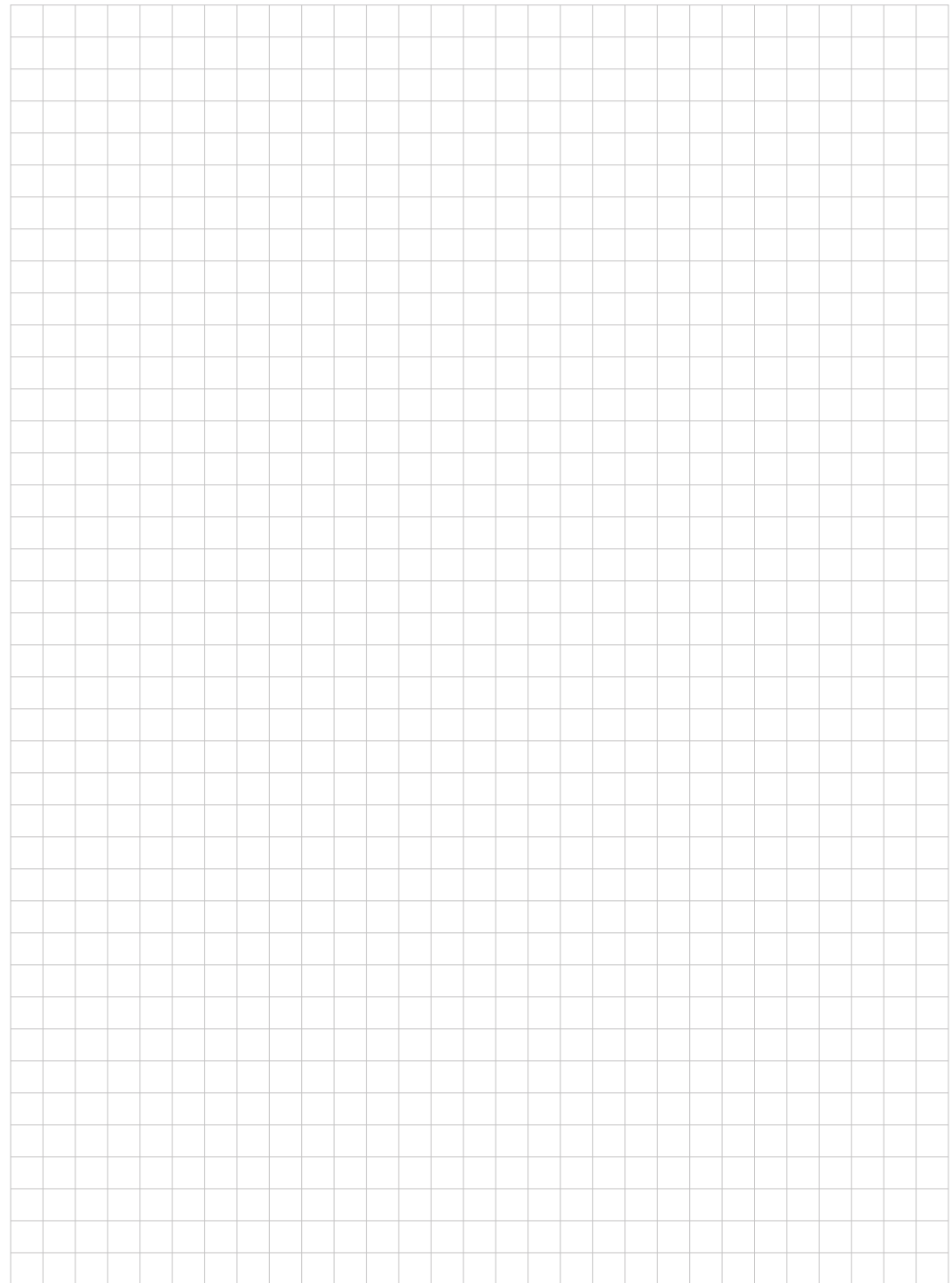
Small areas call for creative thinking and layout. None more important than a kitchen. The micro-kitchen is an emerging layout that allows for all the amenities of a large kitchen, packed into an efficient space. These "microkitchens" can be seen in high end apartments or condos, active adult living communities, and 2nd kitchens just to name a few. Typically these kitchen utilize compact products in the 18" & 24" variety.



Front View



Top View



# SHARP®

Be Original.

